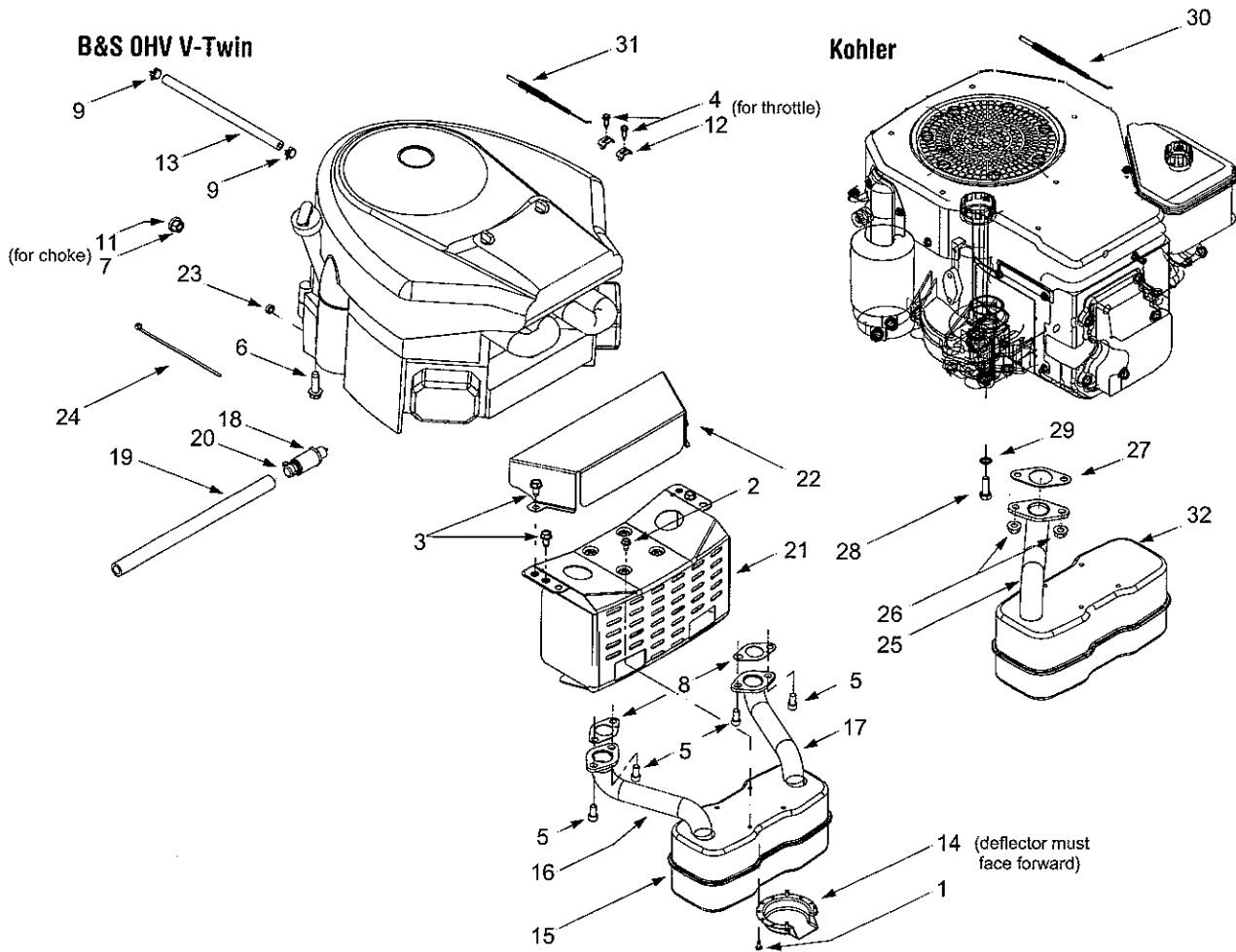


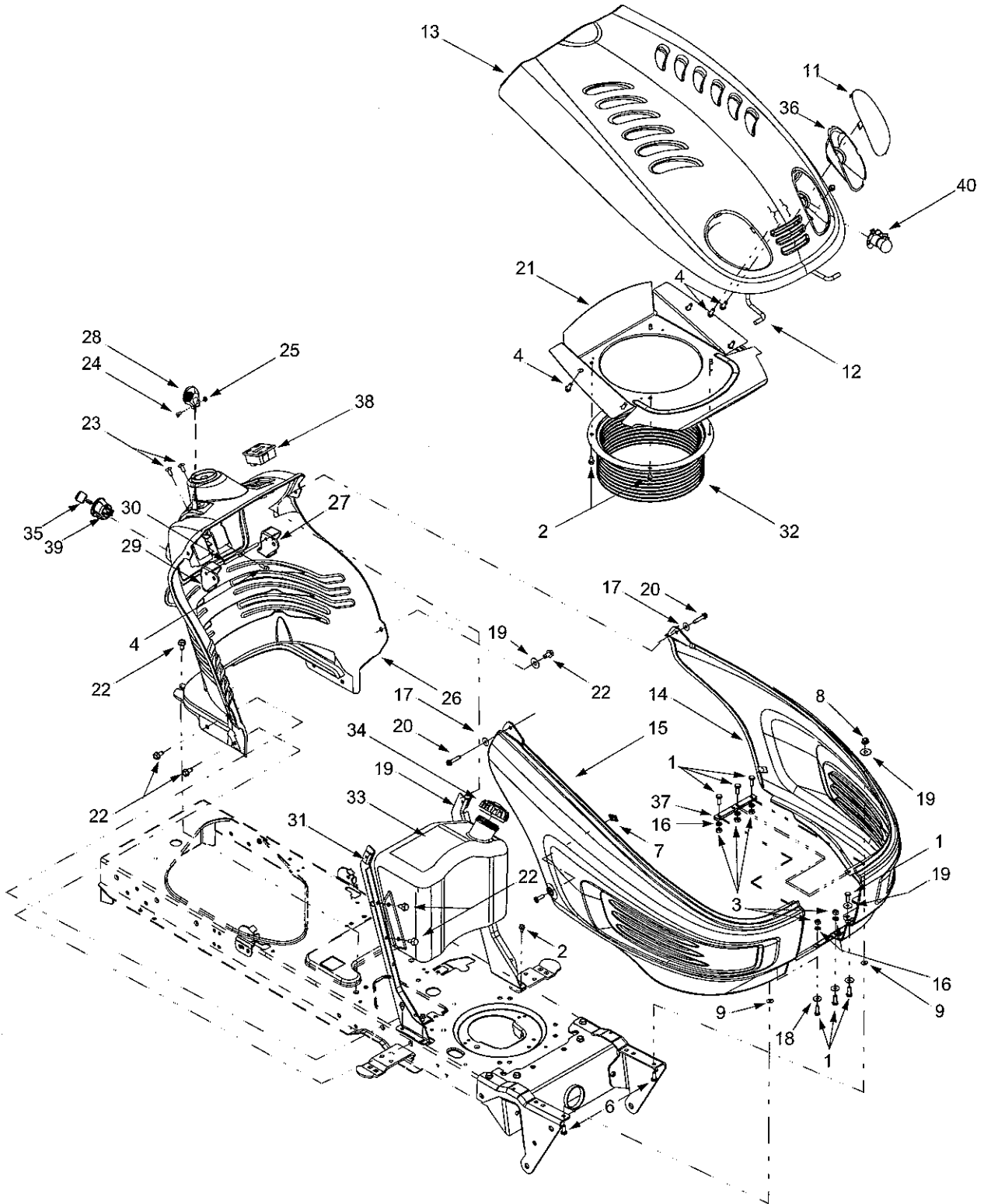
SECTION 12: MODEL 614 PARTS LIST



NOTE: Engine accessory parts are applicable to all 614 model tractors except where otherwise noted.

REF. NO.	PART NO.	DESCRIPTION	REF. NO.	PART NO.	DESCRIPTION
1	710-0227	Self-tapping Screw, #8-18 x 50	17	751-0651A	LH Exhaust Pipe (B&S OHV V-Twin)
2	710-0599	Self-tapping Screw, 1/4-20 x 50	18	751-3140	Oil Drain Valve
3	710-0726	Self-tapping Screw, 5/16-18 x 625	19	751-3141	Oil Drain Hose
4	710-1237	Screw, #10-32 x 625 (B&S OHV V-Twin)	20	751-3142	Oil Drain Cap
5	710-1314A	Socket Cap Screw, 5/16-18 x 625	21	783-0615C	Muffler Heat Shield
6	710-1315	Self-tapping Screw, 3/8-16 x 1 25	22	783-0625C	Engine Heat Shield (B&S OHV V-Twin)
7	712-3017	Hex Nut, 3/8-16	23	712-0271	Hex Sems Nut, 1/4-20 (B&S OHV V-Twin)
8	721-0460	Exhaust Gasket (B&S OHV V-Twin)	24	725-0157	Cable Tie
9	726-0205	Hose Clamp	25	751-0621	Exhaust Pipe (Kohler)
10	751B213146	Casing Clamp (B&S OHV Single)	26	712-3086	Flange Nut, 8mm (Kohler)
11	736-0300	Lock Washer, 406 x 875 x .059	27	721-0375	Exhaust Gasket (Kohler)
12	751B221535	Casing Clamp (B&S OHV V-Twin)	28	710-3206A	Hex Cap Screw, 8mm (Kohler)
13	751-0535	Fuel Line Hose	29	736-0607	External Lock Washer (Kohler)
14	751-0564A	Muffler Deflector	30	746-1087	Throttle Cable (Kohler)
15	751-0616A	Muffler, Twin Inlet (B&S OHV V-Twin)	31	746-1086	Throttle Cable (B&S OHV V-Twin)
16	751-0650A	RH Exhaust Pipe (B&S OHV V-Twin)	32	751-0617A	Muffler, Single Inlet (Kohler)

Model 614

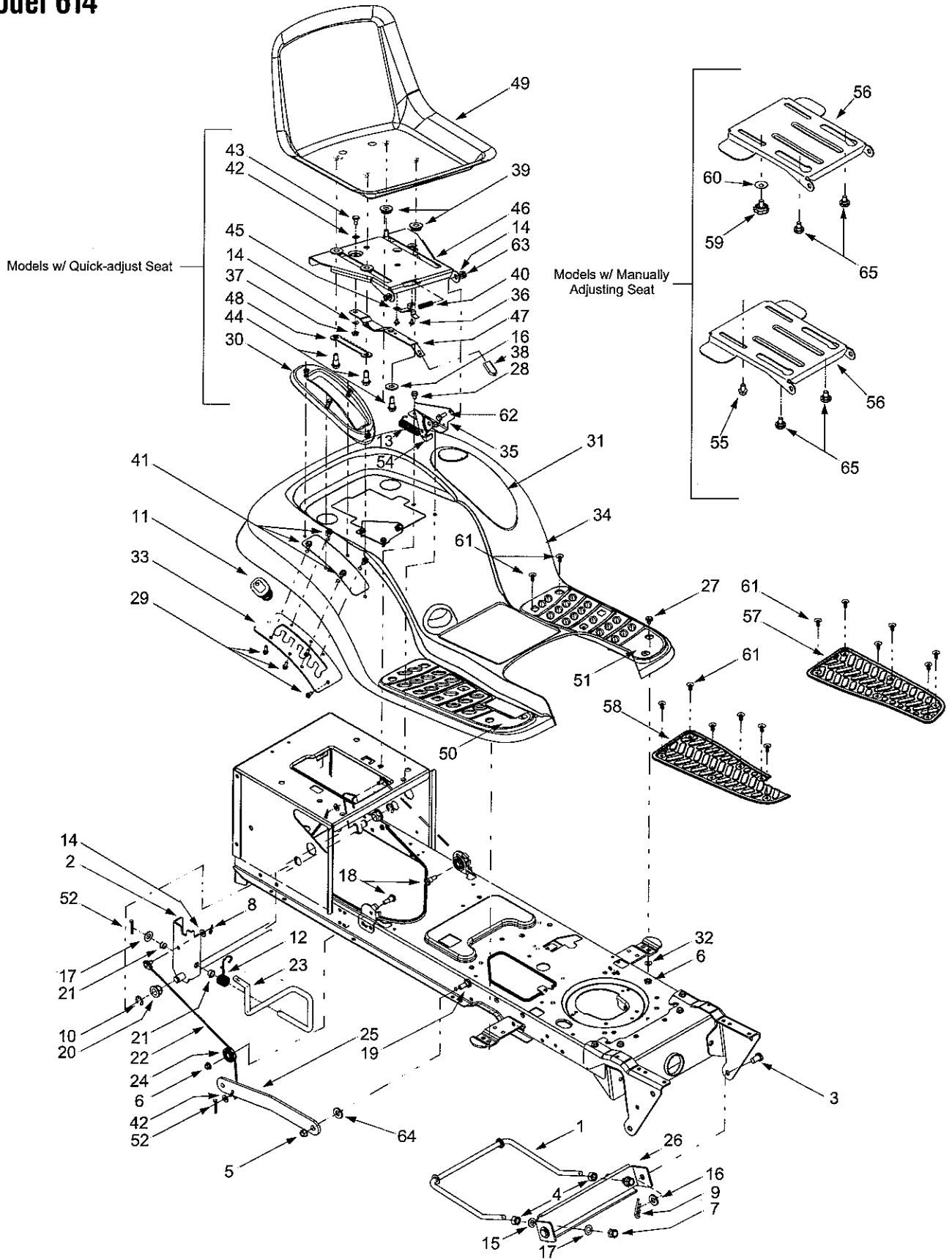


Model 614

REF. NO.	PART NO.	DESCRIPTION
1	710-3015	Hex Cap Screw, 1/4-20 x .75
2	710-0599	Self-tapping Screw, 1/4-20 x .5
3	712-0324	Hex Nut, 1/4-20
4	710-0895	Self-tapping Screw, 1/4-15 x .75
5	710-0924	Pan Phillips Screw, 1/4-20 x .75
6	710-0528	Hex Cap Screw, 5/16-18 x 1.25
7	712-0292	U-type Speed Nut, 1/4-20
8	712-0429	Hex Lock Nut, 5/16-18
9	726-0201	Speed Nut
10	747-2127	Hood Latch Rod
11	731-1978	RH Head Light Lens
	731-1979	LH Head Light Lens
12	747-1132A	Hood Support Rod
13	731-1980B	Hood
14	731-1981C	LH Side Panel
15	731-1982C	RH Side Panel
16	736-0329	Lock Washer, 1/4
17	736-0342	Flat Washer, .283 x .75 x .030
18	736-0173	Flat Washer, .28 x .74 x .063
19	783-04323	LH Dash Support Plate
20	710-0809	Self-tapping Screw, 1/4-20 x 1.25
21	783-0808A	Hood Heat Shield w/o Intake Bellow
22	710-0726	Self-tapping Screw, 5/16-18 x .75
23	710-1017	Torx Self-tapping Screw, 1/4-14 x .625
24	710-3217	Torx Screw, #8-32 x .375
25	712-0142	Hex Nut, 8-32
26	731-0069D	Dash Panel (models w/ Manual PTO)
	731-0071E	Dash Panel (models w/ Electric PTO)
27	731-0072	Parking Brake Button
28	731-1857	Throttle Control Lever
29	731-2106	Cruise Control Button
30	747-1155	Brake/Cruise Pivot Rod
31	783-04285	RH Dash Support Plate
32	731-2232A	Intake Bellow, <i>Kohler</i>
	731-2234A	Intake Bellow, <i>B&S Intek Twin</i>
33	751-0659C	Fuel Tank, 2-gallon (Shown)
	751-0658E	Fuel Tank, 3-gallon
34	751-0603	Fuel Cap
35	725-1745	Ignition Key w/ plastic cover
	725-1744	Ignition Key w/o plastic cover
36	777X41432	Headlight Reflector
37	783-1000A	Grille Support Bracket
38	725-1976	Systems Indicator Monitor
39	725-1741	Ignition Switch
40	625-0051	Headlight Assembly
—	629-04083	Headlight Wire Harness
—	629-04067	Harness Adapter (Models w/ Kohler Engine)
—	629-04073	Wire Harness (models w/ Electric PTO & Hour Meter)
—	629-04074	Wire Harness (models w/ Electric PTO & Ammeter)
—	629-04075	Wire Harness (models w/ Manual PTO & Hour Meter)
—	629-04076	Wire Harness (models w/ Manual PTO & Ammeter)

NOTE: Tractor features vary by model. NOT all parts listed above and pictured on the previous page are standard equipment.

Model 614



Model 614

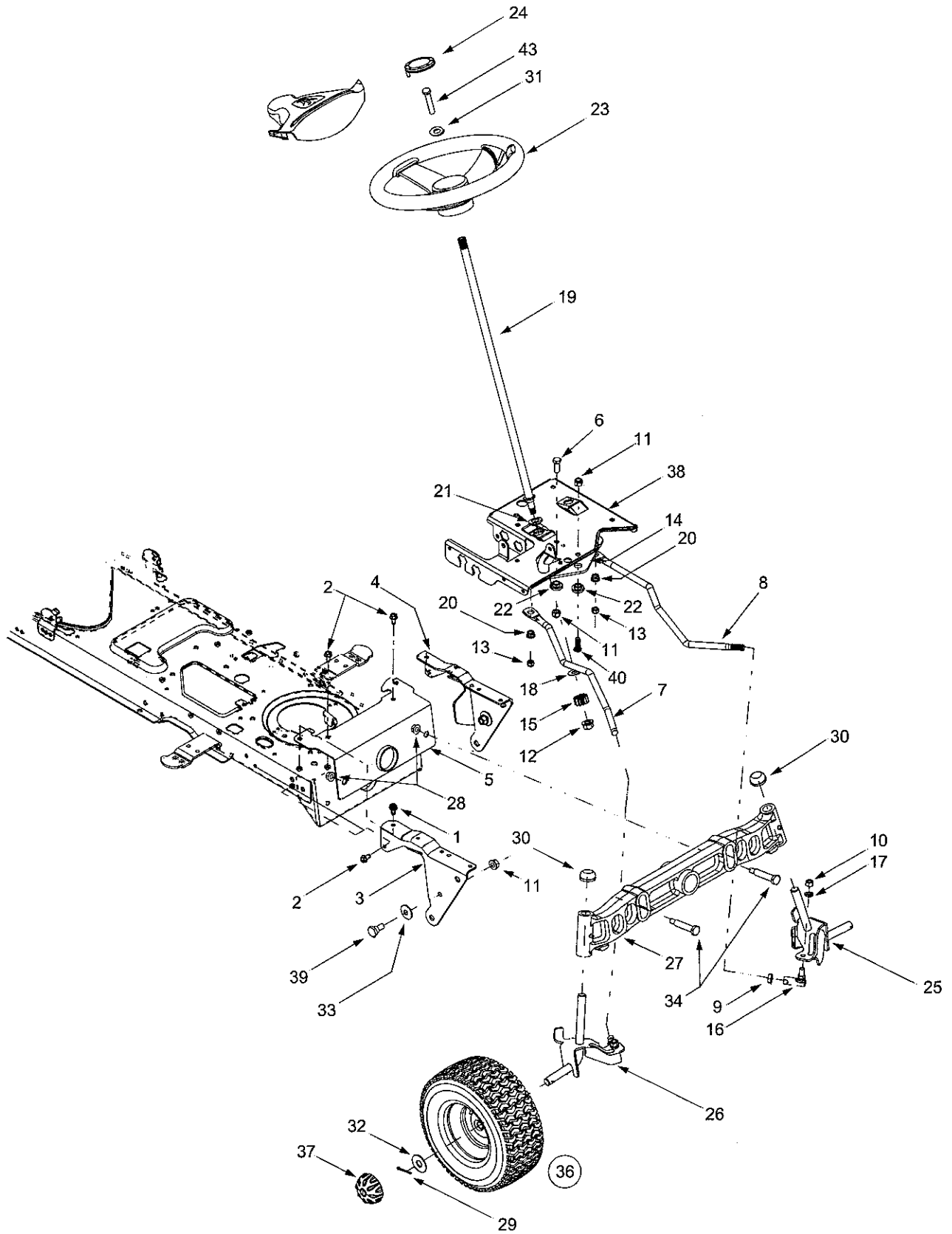
REF. NO.	PART NO.	DESCRIPTION	REF. NO.	PART NO.	DESCRIPTION
1	747-1130B	Deck Stabilizer Rod	34	783-04333	Fender, 4-Style† (Shown)
2	683-04079	Lift Shaft Assembly		783-04437	Fender, 7-Style‡
3	711-0332	Clevis Pin, 5 x 78	35	783-1489	Seat Mounting Bracket
4	712-0206	Hex Nut, 1/2-13	36	710-1268	Screw, #10-16 x 375
5	712-0431	Flange Lock Nut, 3/8-16	37	712-3027	Hex Flange Lock Nut, 1/4-20
6	712-3004A	Flange Lock Nut, 5/16-18	38	720-0309A	Seat Adjuster Grip
7	712-3083	Hex Nut, 1/2-13	39	731-04074	Spacer
8	714-0104	Internal Cotter Pin	40	732-0499	Compression Spring, 41 x 1 5
9	714-0145	Internal Cotter Pin	41	710-0726	Self-tapping Screw, 5/16-18 x 625
10	716-0106	E-ring	42	736-0204	Flat Washer, 344 x.62 x.03
11	720-0311	Handle Grip	43	738-0137A	Shoulder Screw, 340 x.285, 1/4-20
12	732-0874	Torsion Spring	44	738-0966	Shoulder Screw, 50 x.50, 3/8-16
13	732-1184	Extension Spring, 84 x 4 6	45	783-0611	Seat Stop
14	736-0275	Flat Washer, 5/16	46	783-0738A	Seat Pivot Bracket
15	736-0921	Lock Washer, 1/2	47	783-0739	Seat Adjustment Lever
16	736-3019	Flat Washer, 31 x 1 062 x.134	48	783-0753	Seat Adjustment Selector
17	736-3084	Flat Washer, 51 x 1.12 x 06	49	757-04012	High Back Seat
18	738-0138A	Hex Cap Screw, 5/16-18 x 62		757-04011B	Medium Back Seat
19	738-0143	Shoulder Screw, 3/8-16	50	735-0656	RH Foot Pad, Rubber (4-Style Fender)
20	741-0225	Hex Flange Bearing	51	735-0657	LH Foot Pad, Rubber (4-Style Fender)
21	741-0715	Snap Flange Bearing	52	714-0111	Cotter Pin
22	746-0968	Lift Cable, 16 16	54	783-0209C	Seat Lift Bracket
23	747-04155	Lift Handle	55	710-0870	Hex Head Washer Screw, 3/8-16 x 625
24	756-1154	Roller Pulley	56	783-04081A	Seat Pivot Bracket, Manually Adjusted
25	783-0678A	Arm Lift	57	735-0672	RH Foot Pad, Rubber (7-Style Fender)
26	783-0720A	Deck Stabilizer Bracket	58	735-0673	LH Foot Pad, Rubber (7-Style Fender)
27	710-0260A	Carriage Bolt, 5/16 x.62	59	720-04009	Knob, 3/8-16
28	710-0604A	Self-tapping Screw, 5/16-18 x.625	60	736-0331	Cupped Washer, 39 x 1 12
29	710-0895	Self-tapping Screw, 1/4-15 x.75	61	726-3046	Ratchet Clip
30	731-1990	Lift Lever Cover	62	738-0296	Shoulder Screw,.437 x 286
31	731-1993	Cover w/ Cup Holder† (Shown)	63	726-0201	Speed Nut, 3125
	731-04591	Cup Holder‡	64	736-0160	Flat Washer, 531 x 93
32	736-3078	Flat Washer,.349 x 1.0 x.063	65	738-04012	Shoulder Screw
33	783-1010	Deck Lift Plate			

†Models equipped with a 4-style fender can accept the cover w/ cup holder

‡Models equipped with a 7-style fender can accept only a cup holder.

NOTE: Tractor features vary by model. NOT all parts listed above and pictured on the previous page are standard equipment.

Model 614

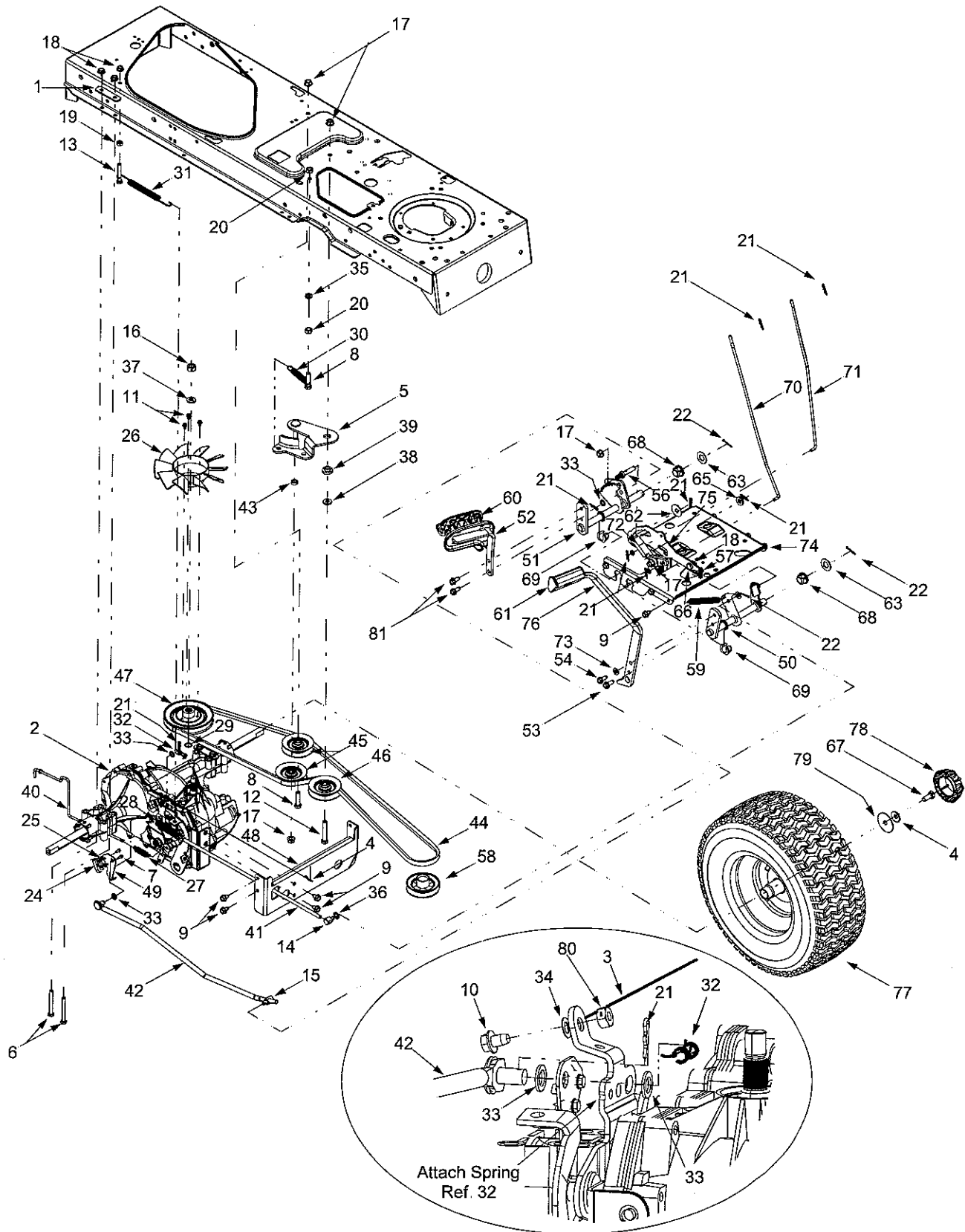


Model 614

REF. NO.	PART NO.	DESCRIPTION	REF. NO.	PART NO.	DESCRIPTION	
1	710-1260A	Self-tapping Screw, 5/16-18 x .75	25	638-04003	LH Axle Assembly, .75 Diameter (Models with 46-inch Deck)	
2	710-0604A	Self-tapping Screw, 16-18 x .625		638-04006	LH Axle Assembly, .75 Diameter (Models with 42-inch Deck)	
3	783-0726B	RH Pivot Support Bracket		26	638-04004	RH Axle Assembly, .75 Diameter (Models with 46-inch Deck)
4	783-0727A	LH Pivot Support Bracket		638-04005	RH Axle Assembly, .75 Diameter (Models with 42-inch Deck)	
5	783-0728	Pivot Bar Bracket	27	719-0525C	Cast Iron Pivot Bar w/ Fittings, .75	
6	710-0514	Hex Cap Screw, 3/8-16 x 1.0 (Grade 5)	28	712-0130	Lock Nut, 3/8-16	
7	711-1408	RH Drag Link	29	714-0162	Cotter Pin	
8	711-1409A	LH Drag Link	30	726-0341	Push Cap, .750	
9	712-0240	Jam Nut, 7/16-20 (Grade 2)	31	736-0242	Bell Washer, .34 x .872	
10	712-0241	Hex Nut, 3/8-24 (Grade 2)	32	736-0316	Flat Washer, .78 x 1.59 x .06	
11	712-0130	Lock Nut, 3/8-16	33	736-0331	Bell Washer, .39 x 1.13 x .062	
12	712-0459	Flange Lock Nut, 7/16-20	34	738-1011	Shoulder Screw, .5 x 2.2, 3/8-16	
13	712-0429	Lock Nut, 5/16-18	35	710-0643	Hex Bolt, 5/16-18 X 1	
14	717-1550E	Steering Segment, 11/90 Ratio	36	634-04087	Wheel Assembly Complete, 15 x 6 x 6	
15	717-1554	Steering Pinion Gear		634-04081	Rim Only w/ Plastic Bearing	
16	723-0448A	Ball Joint, 7/16-20		734-0255	Air Valve (Not Shown)	
17	736-0169	Lock Washer, 3/8		734-04040	Tire Only, Square Shoulder	
18	736-3084	Flat Washer, .51 x 1.12 x .06	37	734-2290A	Hub Cap	
19	738-1001A	Steering Shaft, 625 OD x 24 4	38	783-0653G	Steering Support Bracket	
20	741-0475	Plastic Bushing, .38 ID	39	738-0143	Shoulder Screw, 3/8-16	
21	741-0656A	Hex Flange Bearing, 5/8	40	710-04095	Hex Screw 3/8-16 x 1.0	
22	738-0372B	Shoulder Spacer, .38 ID				
23	631-04028	Steering Wheel: 3 Spoke				
	631-04008	Steering Wheel: 3 Spoke Soft Grip				
24	731-04040	Steering Wheel Cap, Small (Shown)				
	731-04065	Steering Wheel Cap, Large				

NOTE: Tractor features vary by model NOT all parts listed above and pictured on the previous page are standard equipment

Model 614



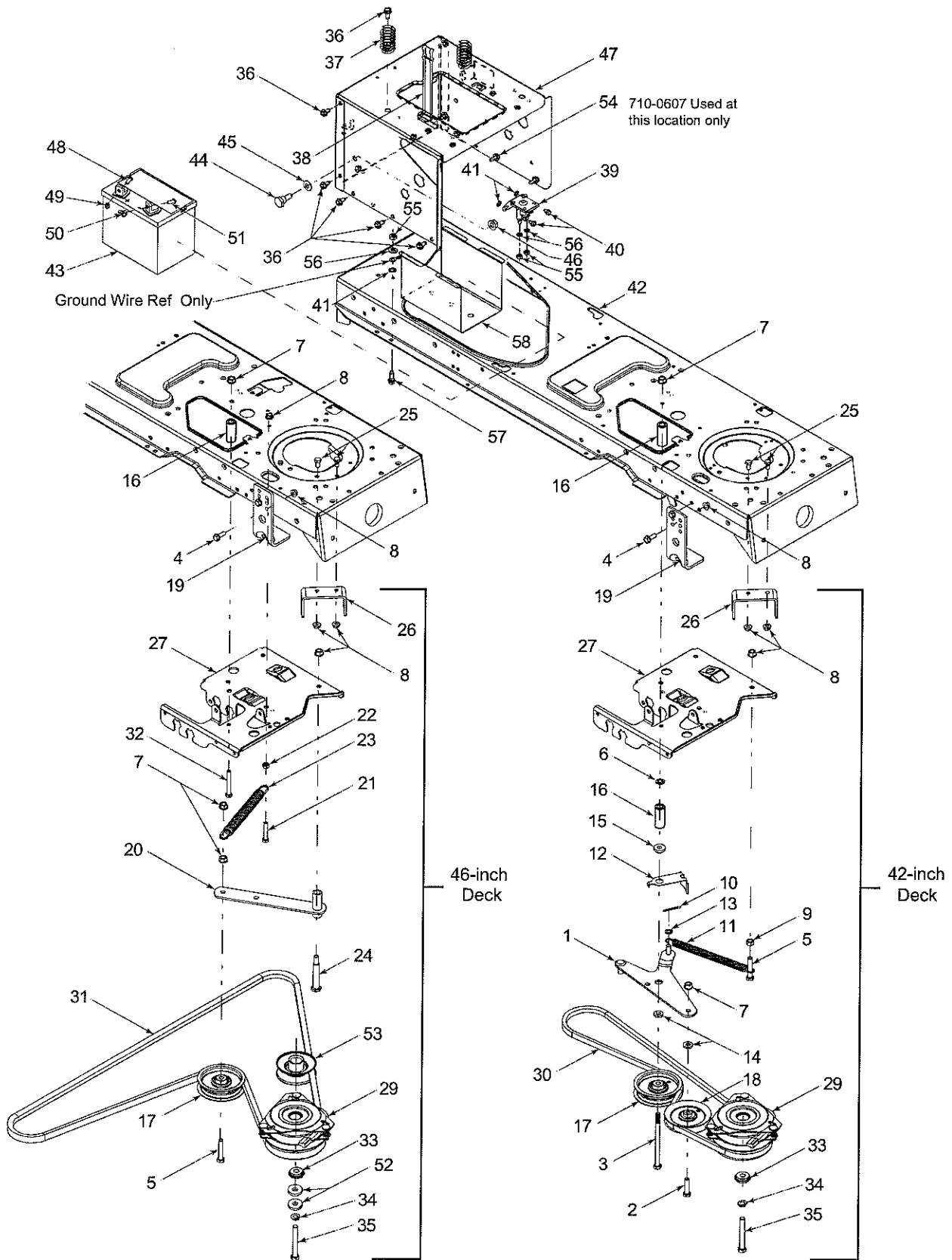
Model 614

REF. NO.	PART NO.	DESCRIPTION	REF. NO.	PART NO.	DESCRIPTION
1	17840	Transaxle Mounting Bracket	45	756-0116	V-idler Pulley, 3.06
2	618-0319	Hydrostatic Transmission	46	756-0981A	Flat Idler Pulley, 2.75
3	629-0949A	Reverse Wire Harness Adapter & Ground	47	756-1166	Input Pulley, 5.0
4	736-0242	Bell Washer, .34 x 872	48	783-0810	Transmission Torque Bracket
5	683-0251	Double Idler Bracket Assembly	49	783-1019	Switch Actuator Bracket
6	710-0176	Hex Cap Screw, 5/16-18 x 2.75	50	647-0031B	Brake Control Assembly
7	710-0227	Screw, #8-18 x 5	51	647-0049	Drive Control Assembly
8	710-0344	Hex Cap Screw, 3/8-16 x 1.5	52	683-0267C	Hydro Pedal Assembly
9	710-0726	Self-tapping Screw, 5/16-18 x .625	53	710-0650	Self-tapping Screw, 5/16-18 x .875
10	710-0599	Self-tapping Screw, 1/4-20 x .375	54	710-1611B	Self-tapping Screw, 5/16-18 x .75
11	710-3007	Screw, #12-24 x .375	56	711-1363	Pin, 3/8-16 x 2.43
12	710-3011	Hex Cap Screw, 3/8-16 x 2.25	57	732-0335	Compression Spring, 405 OD x 1.17
13	710-3103	Hex Cap Screw, 5/16-18 x 2.0	58	756-0983B	Engine Pulley
14	711-0677	Ferrule, 5/16-18	59	732-0963	Extension Spring, 50 OD x 6.37
15	711-0832	Ferrule, 3/8-24	60	735-0662	Drive Pedal Pad
16	712-0333	Hex Nut, 1/2-20	61	735-3049	Brake Pedal Pad
17	712-0431	Flange Lock Nut, 3/8-16	62	736-0133	Flat Washer, 411 x 1.25 x 1.0
18	712-3004A	Flange Lock Nut, 5/16-18	63	736-0187	Flat Washer, 64 x 1.24 x .06
19	712-3010	Hex Nut, 5/16-18	65	736-3004	Flat Washer, 406 x .875 x 105
20	712-3017	Hex Nut, 3/8-16	66	738-0155	Shoulder Screw, 437 x 1.62
21	714-0104	Internal Cotter Pin	67	710-0627	Hex Cap Screw, 5/16-24 x .75
22	714-0111	Cotter Pin	68	741-0225	Hex Flange Bearing
24	725-1644	Short Spring Switch	69	741-3065B	Split Hex Flange Bearing
25	726-0320	Insulator Nut Plate	70	747-04096	Cruise Control Rod
26	731-1449A	10-inch Fan	71	747-04093	Brake Lock Control Rod
27	732-0209	Extension Spring, 48 x 2.03	72	748-0413	Cruise Latch
28	732-0716	Extension Spring, 59 x 4.0	73	736-3008	Flat Washer, 344 x .750 x 120
29	732-0729	Wire Ring	74	783-0653G	Steering Support Bracket
30	732-0429A	Extension Spring, 5 x 3.97	75	783-0663C	Drive Lockout Bracket
31	732-0994	Extension Spring, 5 x 7.0	76	783-0773A	Brake Pedal
32	732-3118	Extension Spring, 3/8 x 1.44	77	634-0177	Wheel Assembly Complete
33	736-0140	Flat Washer, 385 x 62 x .063		634-0104	20 x 10 x 8 Square Shoulder
34	736-0142	Flat Washer, 281 x 50 x .063			Wheel Assembly Complete
35	736-0169	Lock Washer, 3/8			20 x 8 x 8 Square Shoulder
36	736-0275	Flat Washer, 344 x .688 x .065		634-0070	Rim Assembly Only
37	736-0921	Lock Washer, 1/2		734-0255	Air Valve (Not Shown)
38	736-3010	Flat Washer, 407 x 812 x 135		734-1873	Tire Only, 20 x 10 x 8, Square Shoulder
39	738-0372B	Shoulder Spacer, 38		734-1730	Tire Only, 20 x 8 x 8, Square Shoulder
40	747-1149	Hydrostatic Bypass Rod	78	734-2290A	Deluxe Hub Cap (Ref. 79 Required)
41	747-1150	Hydrostatic Brake Rod	79	736-0430	Flat Washer, 350 x 1.59 x .062
42	747-1151	Hydrostatic Control Rod	80	712-0291	Hex Lock Nut, 1/4-20
43	750-0535	Spacer, 376 x 625 x 22	81	710-1260A	Screw, 5/16-18 x .750
44	754-0349	Drive Belt			

IMPORTANT: For a proper working machine, use Factory Approved Parts. **V-belts** are designed to engage and disengage safely. A substitute (non OEM) V-belt can be dangerous by not disengaging completely.

NOTE: Tractor features vary by model NOT all parts listed above and pictured on the previous page are standard equipment.

Model 614 (w/ Electric PTO)



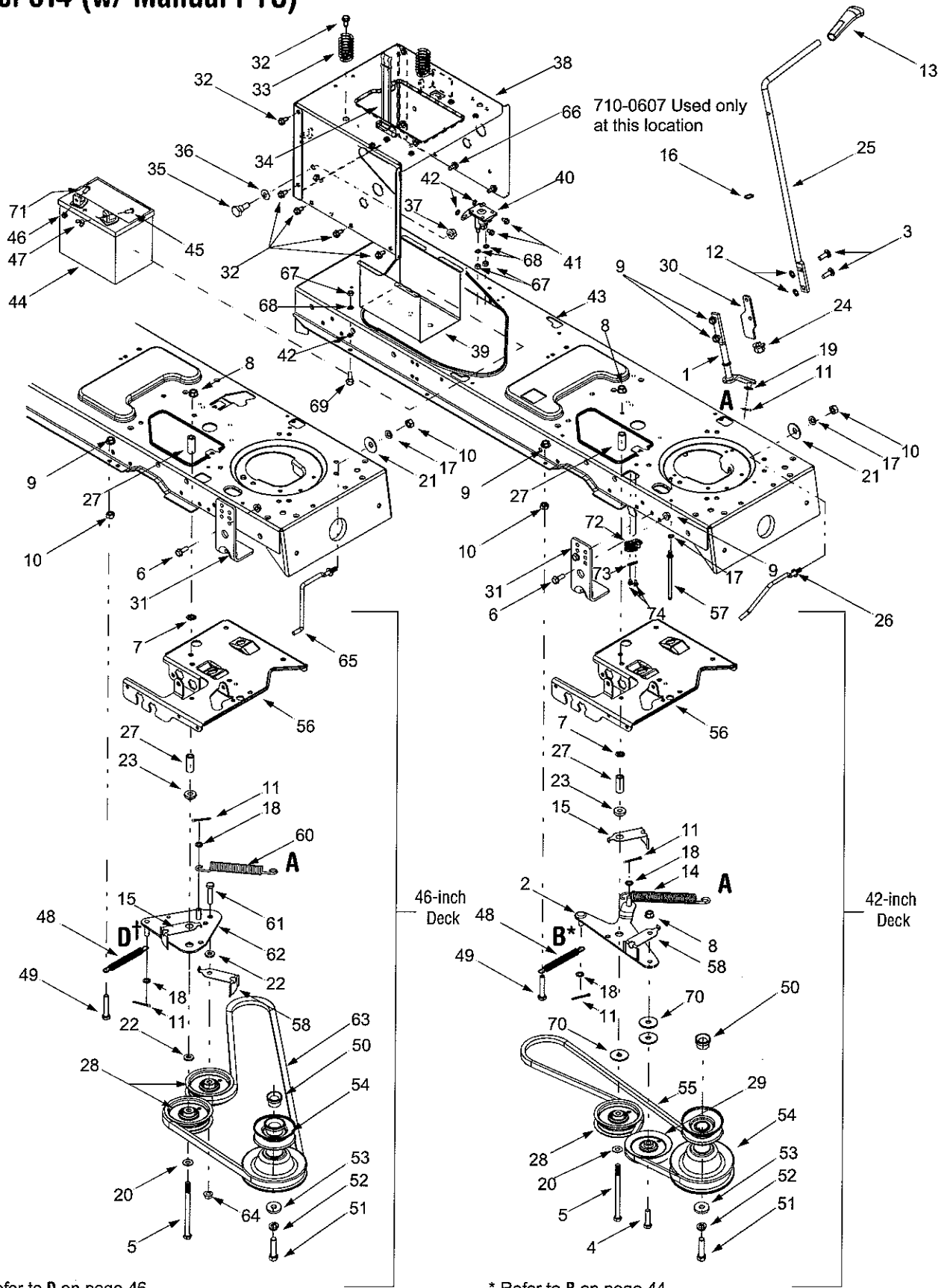
Model 614

REF. NO.	PART NO.	DESCRIPTION	REF. NO.	PART NO.	DESCRIPTION
1	683-0450	Engagement Plate Assembly	31	754-04033	PTO Belt (Models w/ 46-inch deck)
2	710-0520	Hex Cap Screw, 3/8-16 x 1.5	32	710-0859	Hex Cap Screw, 3/8-16 x 2.5
3	710-0831	Hex Cap Screw, 3/8-16 x 5.5	33	738-0785	Shoulder Spacer, 1.38 x 4.45 x .36
4	710-1238	Hex Head Washer Screw, 5/16-18 x 8.75	34	736-0171	Lock Washer, 7/16
5	710-3144	Hex Cap Screw, 3/8-16 x 2.0	35	710-3157	Hex Cap Screw, 7/16-20 x 3.25 (Grade 5)
6	712-0229	Push Nut, 3/8	36	710-0604A	Self Tapping Screw, 5/16-18 x 6.25
7	712-0431	Flange Lock Nut, 3/8-16	37	732-04035	Compression Spring, 1.28 x 3.125
8	712-3004A	Flange Lock Nut, 5/16-18	38	723-0444	Battery Strap
9	712-3017	Hex Nut, 3/8-16	39	725-1426	Solenoid, 12-Volt, 100 Amp
10	714-0470	Cotter Pin, 1/8 x 1.25	40	710-0599	Self Tapping Screw, 1/4-20 x .5
11	732-0384	Extension Spring, 62 x 6.12	41	736-0222	Lock Washer, 1/4
12	732-0991A	Belt Guard	42	683-0304C	Lower Frame Assembly
13	736-0140	Flat Washer, 3.85 x .62 x .063	43	725-1706	12-volt Battery, 270 CCA
14	736-3010	Flat Washer, 4.07 x .812 x .135	44	738-1020	Shoulder Screw, 6.25 x 5, 7/16-20
15	738-0372A	Shoulder Spacer, .380	45	736-0407	Bell Washer, 4.5 x 1.0 x .062
16	748-0415B	Spacer, 3/8 x 1.54	46	712-0459	Flange Lock Nut, 7/16-20
17	756-0627B	Idler Pulley, 3.5	47	783-1031A	Hitch Plate
18	756-1208	Idler Pulley, 4.0	48	710-0703	Hex Cap Screw, 1/4-20 x .75
19	783-0891B	Deck Stop	49	712-0271	Hex Sems Nut, 1/4-20
20	683-0297	Idler Bracket Assembly	50	712-3087	Wing Nut, 1/4-20
21	710-3180	Hex Cap Screw, 5/16-18 x 1.75	51	738-1132	Shoulder Screw, 1/4-20, .25 x .15
22	712-3010	Hex Nut, 5/16-18	52	736-0322	Flat Washer, 4.375 x 1.25 x .180
23	732-0978	Extension Spring, 62 x 5.62	53	756-0639A	Engine Pulley
24	738-3056	Shoulder Screw, 1/2 x 2.5	54	710-0607	Self-tapping Screw, 5/16-18 x 5
25	710-3025	Hex Cap Screw, 5/16-18 x 6.25	55	712-3006	Hex Nut, 1/4-20
26	783-1003	Electric Clutch Anti-rotation Bracket	56	736-0329	Lock Washer, 1/4
27	783-0653F	Steering Support Bracket	57	710-0642	Self-tapping Screw, 1/4-20 x 7.5
29	717-04080	Electric PTO Clutch	58	783-0349	Battery Tray
30	754-0497	PTO Belt (Models w/ 42-inch deck)			

IMPORTANT: For a proper working machine, use Factory Approved Parts. **V-belts** are designed to engage and disengage safely. A substitute (non OEM) V-belt can be dangerous by not disengaging completely.

NOTE: Tractor features vary by model. NOT all parts listed above and pictured on the previous page are standard equipment.

Model 614 (w/ Manual PTO)



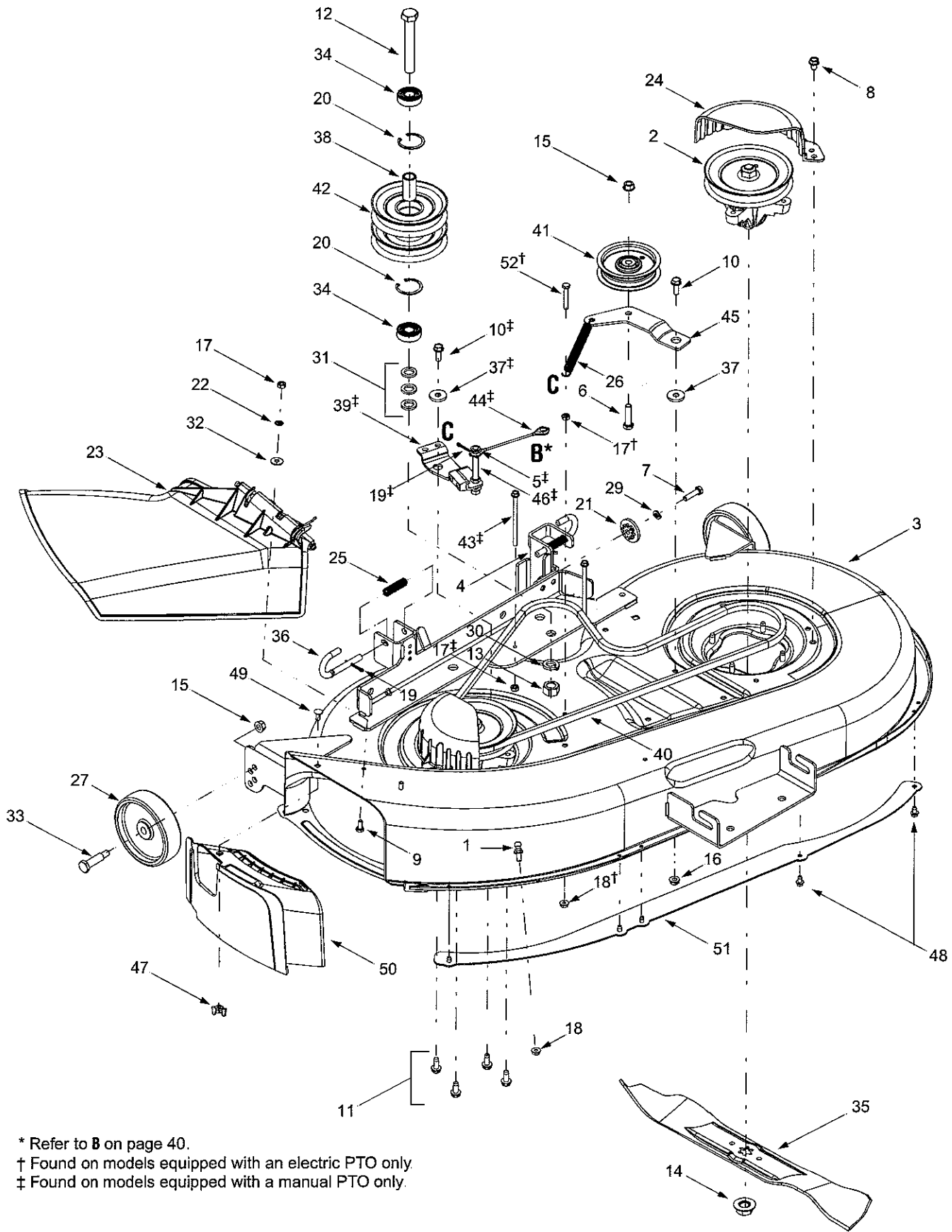
Model 614

REF. NO.	PART NO.	DESCRIPTION	REF. NO.	PART NO.	DESCRIPTION
1	647-0064	PTO Engage Lever Assembly	39	783-0349	Battery Tray
2	683-0450	PTO Engage Plate Assembly	40	725-1426	Solenoid, 12-Volt, 100 Amp
3	710-0276	Carriage Screw, 5/16-18 x 1.00	41	710-0599	Self Tapping Screw, 1/4-20 x .5
4	710-0520	Hex Cap Screw, 3/8-16 x 1.5	42	736-0222	Lock Washer, 1/4
5	710-0831	Hex Cap Screw, 3/8-16 x 5.5	43	683-0304C	Lower Frame Assembly
6	710-1238	Hex Head Washer Screw, 5/16-18 x .875	44	725-1706A	12-volt Battery, 270 CCA
7	712-0229	Push Nut, 3/8		725-1737	12-volt Battery, 190 CCA
8	712-0431	Flange Lock Nut, 3/8-16	45	738-1132	Hex Cap Screw, 1/4-20
9	712-3004A	Flange Lock Nut, 5/16-18	46	712-0271	Hex Sems Nut, 1/4-20
10	712-3010	Hex Nut, 5/16-18	47	712-3087	Wing Nut, 1/4-20
11	714-0470	Cotter Pin, 1/8 x 1.25	48	732-1165	Extension Spring, 50 x 5 0
12	726-0201	Speed Nut, 3125	49	710-3180	Hex Cap Screw, 5/16-18 x 1 75
13	731-2111A	PTO Knob	50	750-0956	Spacer Cup
14	732-1170	Extension Spring, 75 x 6.75	51	710-3029	Hex Head Cap Screw, 7/16-20 x 1 25
15	732-0991A	Belt Guard	52	736-0171	Lock Washer, 7/16
16	736-0108	Flat Washer, 510 x 750 x 033	53	736-0322	Flat Washer, 450 x 1.25
17	736-0119	Lock Washer, 5/16	54	756-0983B	Engine Pulley, 3.56 OD x 5.56
18	736-0140	Flat Washer, .385 x .62 x .063	55	754-0497	PTO Belt (Models w/ 42-inch deck)
19	736-0275	Flat Washer, 5/16	56	783-0653F	Steering Support Bracket
20	736-0300	Flat Washer, 406 x 875 x 059	57	711-1044	Keeper Pin, 5/16 x 4.75
21	736-0242	Bell Washer, 345 x 88 x 060	58	732-1013	Belt Guard
22	736-3010	Flat Washer, 407 x 812 x .135	59	710-3025	Hex Cap Screw, 5/16-18 x 625
23	738-0372B	Shoulder Spacer, .380	60	732-0944	Extension Spring, .75 x 6.75
24	741-0708	Hex Split Flange Bearing, 5	61	710-0347	Hex Cap Screw, 3/8-16 x 1.75
25	747-1112D	PTO Engagement Handle	62	683-0302	PTO Engagement Plate Assembly
26	747-1286A	Belt Keeper Rod	63	754-0486A	PTO Belt (Models w/ 46-inch deck)
27	748-0415B	Spacer, 3/8 x 1.54	64	712-0431	Flange Lock Nut, 3/8-16
28	756-0627B	Idler Pulley, 3 5	65	747-1243	Belt Keeper Rod
29	756-1208	Idler Pulley, 4.0	66	710-0607	Self-tapping Screw, 5/16-18 x 5
30	783-0744A	Engagement Stop	67	712-3006	Hex Nut, 1/4-20
31	783-0891B	Deck Stop	68	736-0329	Lock Washer, 1/4
32	710-0604A	Self Tapping Screw, 5/16-18 x 625	69	710-0642	Self-tapping Screw, 1/4-20 x .75
33	732-04035	Compression Spring, 1.28 x 3 5	70	736-3039	Flat Washer, 406 x 1.5 x 11 gauge
34	723-0444	Battery Strap	71	710-0703	Carriage Bolt, 1/4-20 x .75
35	738-1020	Shoulder Screw, 625 x 5, 7/16-20	72	725-04039	Safety Interlock Switch
36	736-0407	Bell Washer, 45 x 1.0 x .062	73	17962	Switch Plate
37	712-0459	Flange Lock Nut, 7/16-20	74	710-0224	Screw, #10 x 5
38	783-1031A	Hitch Plate			

IMPORTANT: For a proper working machine, use Factory Approved Parts. **V-belts** are designed to engage and disengage safely. A substitute (non OEM) V-belt can be dangerous by not disengaging completely.

NOTE: Tractor features vary by model. NOT all parts listed above and pictured on the previous page are standard equipment.

Model 614



* Refer to B on page 40.

† Found on models equipped with an electric PTO only

‡ Found on models equipped with a manual PTO only.

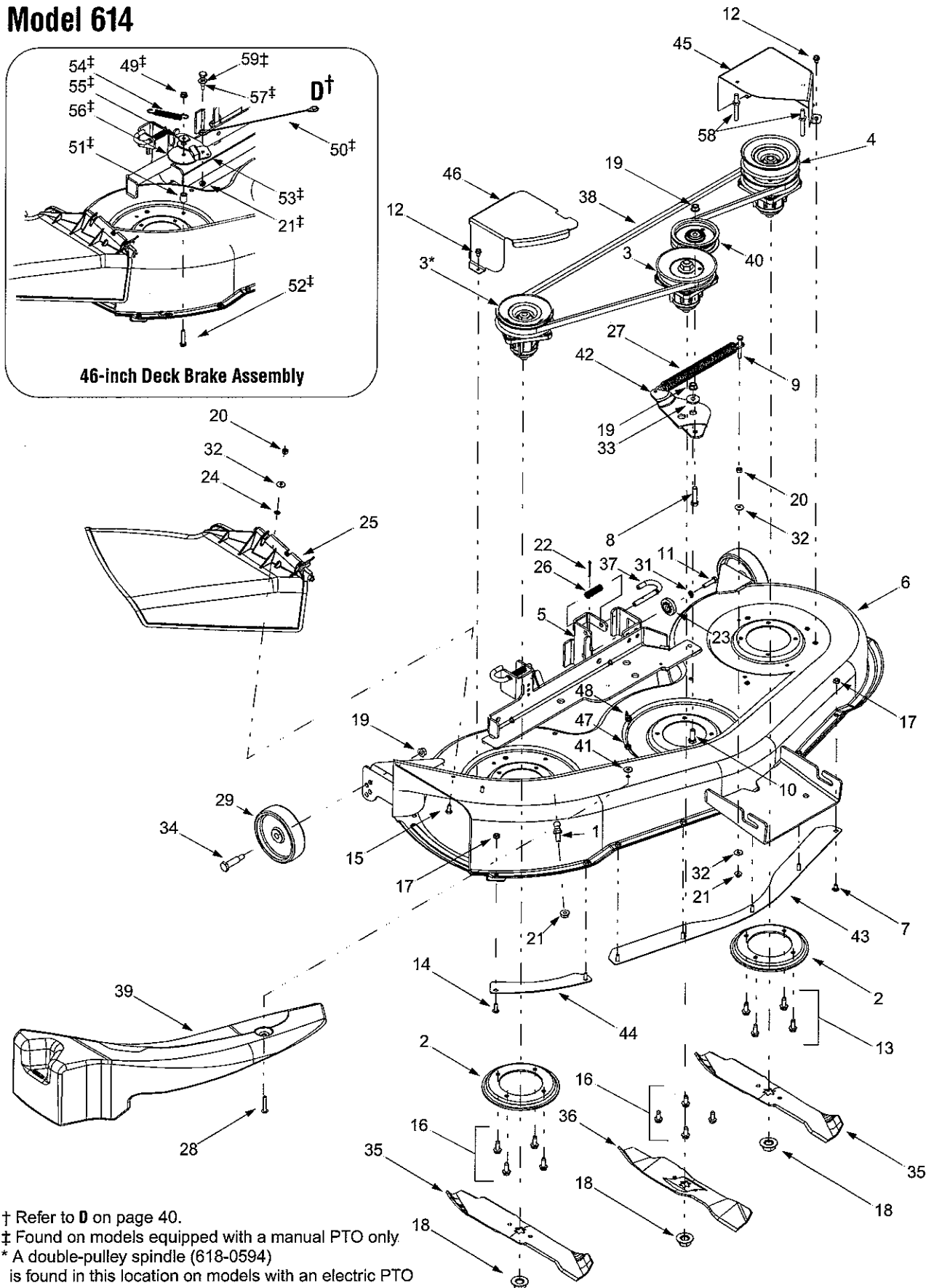
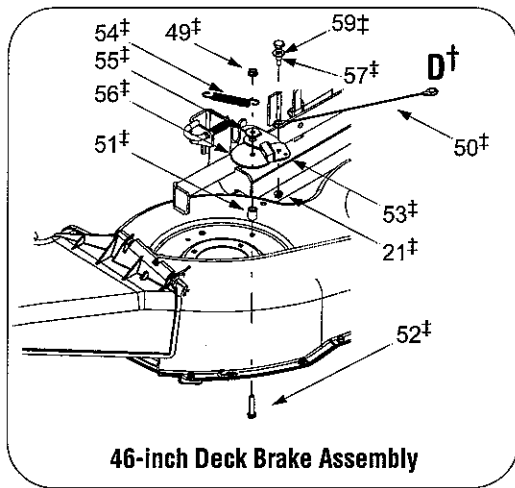
Model 614

REF. NO.	PART NO.	DESCRIPTION	REF. NO.	PART NO.	DESCRIPTION
1	711-04069	Grass Catcher Pin	26	732-0470A	Extension Spring, 50 x 4.74
2	618-0565	Spindle Assembly, 5 75 Dia.	27	734-0973	Deck Wheel, 5 x 1 38
	756-0980	Pulley Only	29	736-0119	Lock Washer, 5/16
3	683-0198G	42-inch Deck Shell	30	736-0158	Lock Washer, 5/8
4	683-0254	Deck Adjustment Bracket w/ Weld Nut	31	736-0162	Flat Washer, 64 x 1.0 x.12
5	736-0140	Flat Washer, .385 x .62 x .063	32	736-0270	Bell Washer, 265 x.75 x.062
6	710-0520	Hex Cap Screw, 1/4-20 x 1 5	33	738-0373	Shoulder Screw, 498 x 1.53
7	710-0528	Hex Cap Screw, 5/16-18 x 1 25	34	741-0524	Bearing, 625 x 1.574 x .470
8	710-0726	Self-tapping Screw, 5/16-18 x 75	35	742-0616A	Three-in-one Blade, Star Center, 21 23"
9	710-0751	Hex Cap Screw, 1/4-20 x 62	36	747-1116	Deck Release Pin
10	710-1238	Hex Head Washer Screw, 5/16-18 x 875	37	748-0331	Shoulder Spacer, 625 x 324
11	710-0650	Self-tapping Screw, 5/16-18 x 75	38	750-0932A	Spacer, 635 x 88 x 1.72
12	710-3151	Hex Cap Screw, 5/8-18 x 875	39	683-0440	Deck Brake Assembly
13	712-0337	Hex Nut, 5/8-18	40	754-0498	Deck Belt
14	712-0417A	Hex Flange Nut, 5/8-18	41	756-0627B	Idler Pulley, 3.5
15	712-0431	Flange Lock Nut, 3/8-16	42	756-1202	Double Pulley, 5.0
16	712-3004A	Flange Lock Nut, 5/16-18	43	710-1830	Self-tapping Screw, 1/4-20 x 4.0
17	712-3006	Hex Nut, 1/4-20	44	746-0970	Brake Cable, 5 05
18	712-3027	Hex Flange Lock Nut, 1/4-20	45	783-1291	Idler Bracket
19	714-0470	Cotter Pin, 1/8 x 1 25	46	711-1534	Pin, 3/8-16, 3/8 x 3.27
20	716-3020	Internal Snap Ring	47	712-3087	Wing Nut, 1/4-20
21	717-04074	Deck Adjustment Gear	48	710-0599	Self-tapping Screw, 1/4-20 x .5
22	726-0233	Push Nut.25 x 5	49	710-0134	Carriage Screw, 1/4-20 x .62
23	731-1032B	Side Discharge Chute Assembly	50	731-2363	Mulch Plug
24	731-2486A	Belt Cover	51	783-1146A	Deck Skirt
25	732-0306	Compression Spring, .406 x .531 x 1 75	52	710-0136	Hex Cap Screw, 1/4-20 x 1.75

IMPORTANT: For a proper working machine, use Factory Approved Parts. **V-belts** are designed to engage and disengage safely. A substitute (non OEM) V-belt can be dangerous by not disengaging completely.

NOTE: Tractor features vary by model. NOT all parts listed above and pictured on the previous page are standard equipment.

Model 614



† Refer to **D** on page 40.
 ‡ Found on models equipped with a manual PTO only.
 * A double-pulley spindle (618-0594) is found in this location on models with an electric PTO

Model 614

REF. NO.	PART NO.	DESCRIPTION	REF. NO.	PART NO.	DESCRIPTION
1	711-04069	Grass Catcher Pin	29	734-0973	Deck Wheel, 5 x 1.38
2	17982	Spindle Reinforcement Plate	31	736-0119	Lock Washer, 5/16
3	618-0240A	Spindle Assembly, 5 0 Dia	32	736-0270	Bell Washer, 265 x .75 x .062
	756-1187	Pulley Only	33	738-0347	Shoulder Spacer, 625 x 1.16
4	618-0594	Double Pulley Spindle Assembly	34	738-0373	Shoulder Screw
	618-0241	Double Pulley Spindle Ass'y -Electric PTO	35	742-0611	Three-in-one Blade, Star Center, 16.28"
	756-0603	Pulley Only	36	742-0612	Three-in-one Blade, Star Center, 14.88"
5	683-0254	Deck Adjustment Bracket w/ Weld Nut	37	747-1116	Deck Release Pin
6	683-04103	46-inch Deck Shell	38	754-0349	Deck Belt, Poly
7	710-0167	Carriage Screw, 1/4-20 x 50	39	731-1636	Mulch Plug
8	710-0344	Hex Cap Screw, 3/8-16 x 1.5	40	756-0627B	Idler Pulley, 3.5
9	710-0501	Hex Cap Screw, 1/4-20 x 2.0	41	736-0173	Flat Washer, 28 x 74 x .063
10	710-0514	Hex Cap Screw, 3/8-16 x 1.0	42	783-0139A	Idler Bracket
11	710-0528	Hex Cap Screw, 5/8-18 x 1.25	43	783-0141	Center Deck Skirt
12	710-0599	Self-tapping Screw, 1/4-20 x .5	44	783-0142	RH Deck Skirt
13	710-0650	Self-tapping Screw, 15/16-18 x .875	45	783-1348A	LH Belt Cover
14	710-0703	Hex Screw, 1/4-20 x .75	46	783-0805C	RH Belt Cover
15	710-0751	Hex Cap Screw, 1/4-20 x .62		17258D	RH Belt Cover (Manual PTO)
16	710-1260A	Self-tapping Screw, 5/16-18 x .75	47	712-3006	Hex Nut, 1/4-20
17	712-0271	Hex Sems Nut, 1/4-20	48	712-3087	Wing Nut, 1/4-20
18	712-0417A	Hex Flange Nut, 5/8-18	49	712-3004A	Hex Nut, 5/16-18
19	712-0431	Flange Lock Nut, 3/8-16	50	746-1107	Bracket Cable, 12"
20	712-3006	Hex Nut, 1/4-20	51	750-1320	Spacer, 385 x 625 x .70
21	712-3027	Hex Flange Lock Nut, 1/4-20	52	710-0805	Hex Cap Screw, 5/16-18 x 1.5
22	714-0470	Cotter Pin, 1/8 x 1.25	53	17116	Deck Brake Assembly
23	717-04074	Deck Adjustment Gear	54	732-0429A	Extension Spring, 5 x 3.97
24	726-0233	Push Nut .25 x 5	55	748-0324	Shoulder Spacer
25	731-1032B	Side Discharge Chute Assembly	56	736-0418A	Flat Washer, 34 x 2.25 x 1
26	732-0306	Compression Spring, 406 x 531 x 1.75	57	711-1554	Pin, 1/4-20
27	732-0594A	Extension Spring, 91 x 7.3	58	711-0993	Belt Guard Pin
28	710-0578†	Screw, 1/4-20 x 1.5	59	736-0140	Flat Washer, 385 x .62 x .06

IMPORTANT: For a proper working machine, use Factory Approved Parts. **V-belts** are designed to engage and disengage safely. A substitute (non OEM) V-belt can be dangerous by not disengaging completely.

NOTE: Tractor features vary by model. NOT all parts listed above and pictured on the previous page are standard equipment.