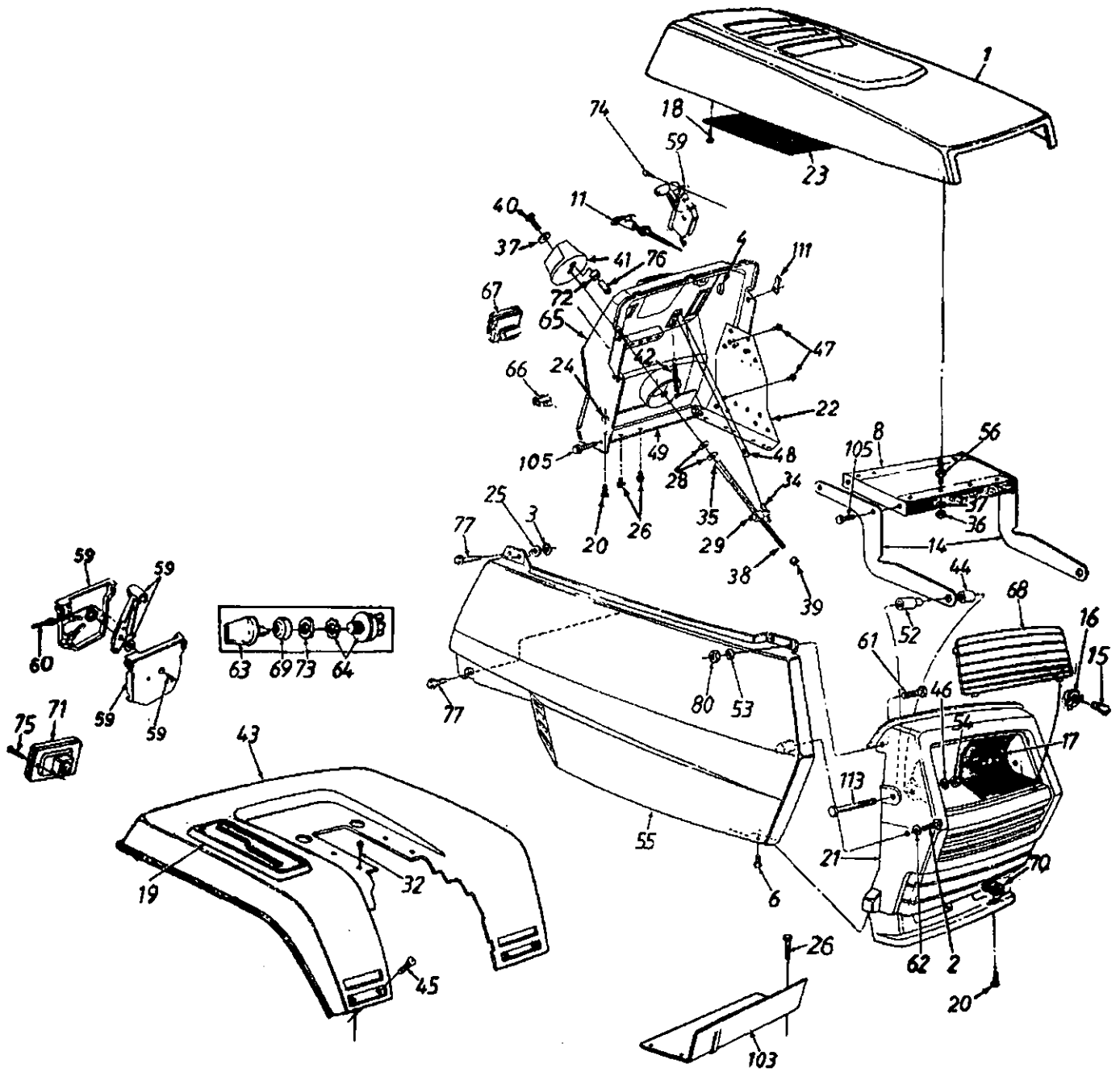


LT-175
Model 696

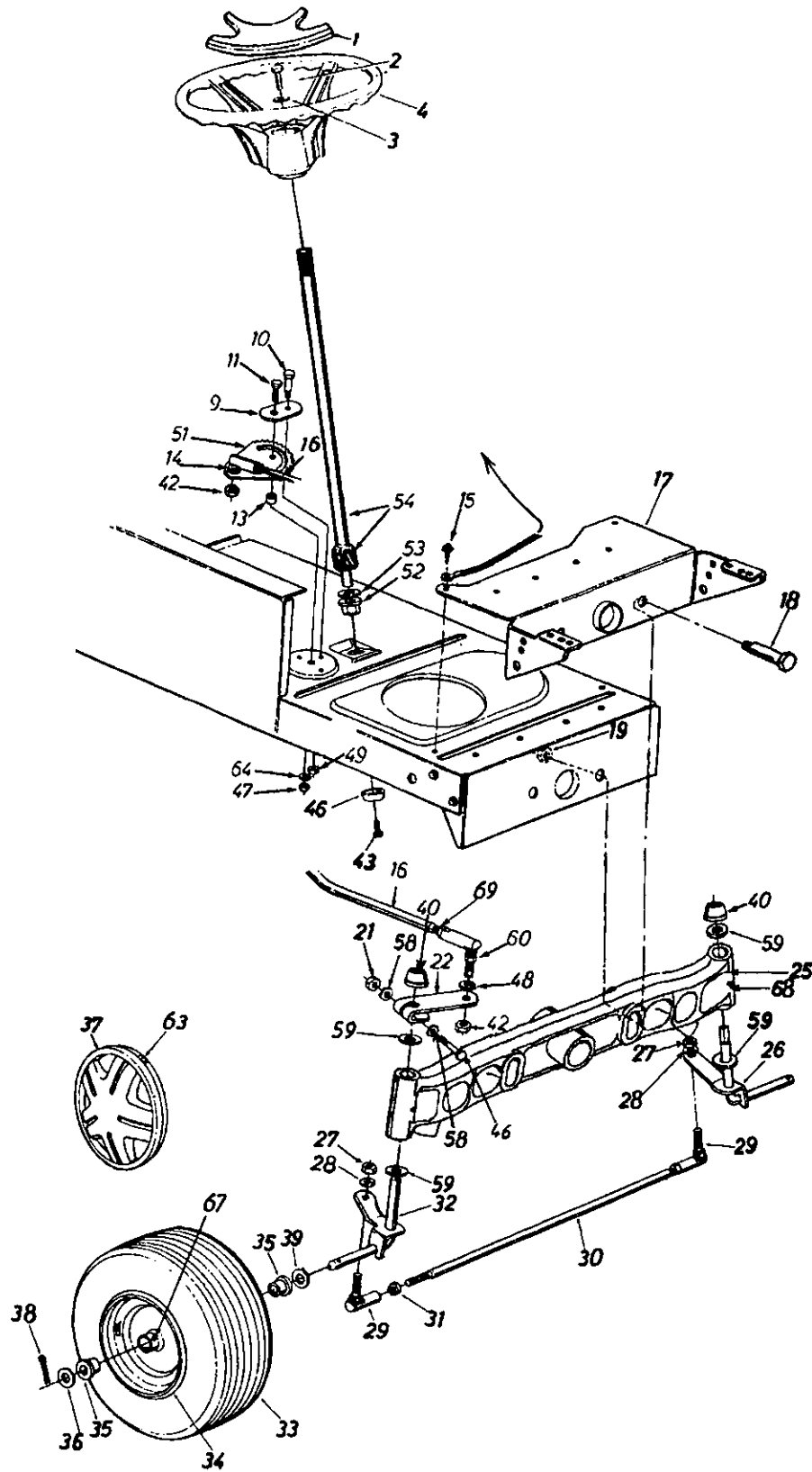


LT-175

Model 696

REF. NO.	PART NO.	DESCRIPTION	REF. NO.	PART NO.	DESCRIPTION
1	731-1429	Hood	46	736-0278	FI-Wash. .328" I.D. x .68" O.D.
2	710-0896	Hex Wash. B-Tap Scr.1/4 x .62" Lg.	47	710-0599	Hex Wash. Hd. Scr. 1/4-20 x .5" Lg.
3	726-0233	Bolt Retainer 1/4" I.D.	48	727-0460A	Indicator Strip
4	17782	Retainer Clip	49	783-0120	Indicator Bracket
6	710-0351	Truss Mach. B-Tap Scr.#10 x .5" Lg.	52	750-0754	Shld. Spacer .33" I.D.
8	16903A	Hood Plate	53	736-0142	FI-Wash. .281" I.D. x .5" O.D.
11	746-3021	Choke Control	54	712-0158	Hex Cent. L-Nut 5/16-18 Thd.
14	16902A	Hood Hinge	55	731-1890	Side Cover—R.H.
15	725-0963	Lamp		731-1891	Side Cover—L.H.
16	725-1649	Twist Lock—Lamp Socket	56	710-1034	Double Ended Stud 1/4-20 Thd.
17	777-8516	Reflector—Headlight	59	831-0823A	Throttle Control Box Ass'y.
18	710-0227	Hex Wash. Hd. AB-Tap Scr.#8 x .5" Lg.	60	746-0775	Throttle Control Wire 35" Lg.
19	731-1647	Speed Selector Plate	61	710-0751	Hex Bolt 1/4-20 x .62" Lg.*
20	710-3008	Hex Bolt 5/16-18 x .75" Lg.*	62	736-0173	FI-Wash. .281" I.D. x .73" O.D.
21	731-1430B	Grille	63	725-1341B	Ignition Key
22	17300D	Dash Support Bracket	64	725-1396	Ignition Switch
23	723-0416	Screen	65	731-1510	Dash Panel
24	712-0265	Hex Sems Nut 5/16-18 Thd.*	66	725-0634	Light Switch
25	736-0176	FI-Wash. 1/4" I.D. x .93" O.D.	67	725-0925	Ammeter
26	710-0607	Hex Wash. Hd. B-Tap Scr.5/16-18 x .5"	68	731-1038A	Lens
27	710-0429	Hex B-Tap Scr. #10 x .38" Lg.	69	725-1347	Ignition Switch Cap
28	736-0267	FI-Wash. 3/8" I.D. x .875" O.D.	70	726-0211	U-Nut 5/16-18 Thd.
29	711-1002	Adj. Ferrule 3/8-8 Thd.	71	725-1729	Taillight
33	736-0242	Bell-Wash. .345" I.D. x .88"	72	750-0526	Spacer
34	714-0101	Hairpin Clip	73	725-1346	Ignition Switch Nut
35	716-0125	"E"-Ring .375" Dia.	74	710-0779A	Truss Mach. AB-Tap Scr.#10 x .5" Lg.
36	712-0287	Hex Nut 1/4-20 Thd.*	75	710-0936	Truss Hd. AB-Tap Scr. #6 x .62" Lg.
37	736-0270	Bell-Wash. .265" I.D. x .75"	76	732-0675	Ball Plunger
38	747-0898	Adjustment Rod	77	710-0642	Hex Wash. Hd. Tap Scr.1/4 x .75" Lg.
39	712-0449	Hex Nut 3/8-8 Twin Thd.	80	712-0291	Hex L-Nut 1/4-20 Thd.
40	710-3015	Hex Bolt 1/4-20 x .75" Lg.	94	712-0147	Speed Nut #10-24 Thd.
41	720-0236	Plastic Knob	103	17633A	Gasoline Tank Support
42	732-0732	Ext. Spring 3.21" Lg.	105	710-0599	Hex Tap Scr. 1/4-20 x .5" Lg.
43	783-0329A	Rear Fender	111	712-0185	Speed Nut 1/4-20 Thd.
44	750-0755	Spacer .33" I.D. x .625" O.D.	113	710-0176	Hex Bolt 5/16-18 x 2.75"
45	710-0167	Carriage Bolt 1/4-20 x .50" Lg.*			

LT-175
Model 696



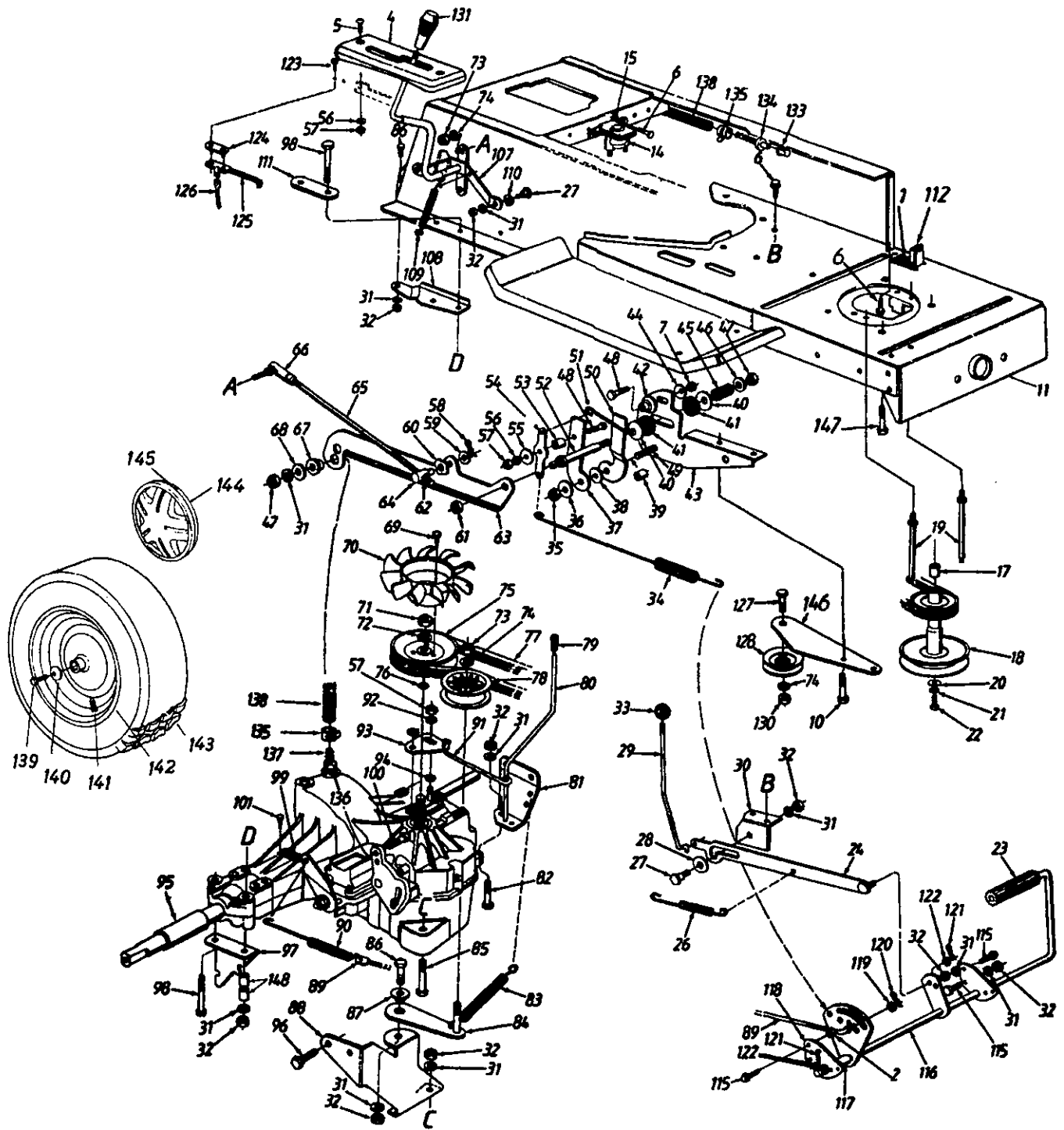
LT-175

Model 696

REF. NO.	PART NO.	DESCRIPTION	REF. NO.	PART NO.	DESCRIPTION
1	731-1509A	Steering Wheel Cap		734-0864	Tire Only
2	710-0643	Hex Bolt 5/16-18 x 1" Lg.		734-0255	Air Valve
3	736-0242	Belleville Wash. .345" I.D.	34	634-0051	Front Wheel Rim Only
4	731-1686	Steering Wheel	35	741-0569	Bearing
9	17198A	Retainer Plate	36	736-0285	Fl-Wash. .635" I.D. x 1.59" O.D.
10	738-0141	Shld Bolt .437" x .35" Lg.—5/16-18	37	734-1783A	Hub Cap
11	710-0152	Hex Bolt 3/8-24 x 1.0" Lg. (Grade 5)	38	714-0470	Cotter Pin 1/8" Dia. x 1.25"
13	750-0535	Spacer .380" I.D. x .625" O.D. x .227	39	736-0366	Fl-Wash. .640" I.D. x 1.24" O.D.
14	736-0217	L-Wash. 3/8" I.D. (H.D.)	40	726-0214	Push Cap 5/8" Dia. Rod
15	710-0726	Hex Wash. Hd. Self-Tap Scr.	42	712-0262	Hex Jam Nut 3/8-24 Thd.
16	711-1107	Steering Drag Link	43	710-1309	Torx Bolt 5/16-18 x .63" Lg.
17	783-0041A	Pivot Bar Brkt.	46	748-0389	Cap 1.25 x .16
18	738-0527	Shoulder Bolt .498" Dia. x 2.04"	47	712-0214	Hex Cent. L-Nut 3/8-24 Thd.
19	712-0431	Flanged Hex Nut 3/8-16 Thd.*	49	712-0158	Hex Cent. L-Nut 5/16-18 Thd.
21	712-0411	Hex L-Nut 5/16-24 Thd.	51	717-0622A	Steering Gear Segment
22	683-0055	Steering Arm Front Axle	52	741-0656	Hex. Fig. Brg. 5/8" I.D.
23	710-0772	Hex Bolt 5/16-24 x 2.00" Lg. (Grade 5)	53	736-0187	Fl-Wash. (Hardened)
25	719-0342A	Pivot Bar Ass'y.	54	738-0919	Steering Shaft
26	683-0125	Front Axle Ass'y.—L.H.	58	736-0271	Wave-Wash. .32" I.D. x .62" O.D.
27	712-0241	Hex Nut 3/8-24 Thd.*	59	736-0187	Fl-Wash. (Hardened)
28	736-0169	L-Wash. 3/8" I.D.*	60	723-0448A	Drag Link Ball Joint 3/8-24 Thd.
29	723-3018	Ball Joint 3/8-24 Thd.	63	727-0425A	Spring Clip
30	747-0753	Tie Rod	64	736-0356	Bell-Wash. .39" I.D. x 1.38" O.D.
31	712-0711	Hex Jam Nut 3/8-24 Thd.*	67	737-0280	Grease Fitting
32	683-0124	Front Axle Ass'y.—R.H.	68	737-3000	Grease Fitting
33	634-0059	Wheel Ass'y. Comp.	69	712-0240	Hex Jam Nut 7/16-20

LT-175 Model 696

IMPORTANT: For a proper working machine, use Factory Approved Parts.



V-BELTS are specially designed to engage and disengage safely. A substitute (non OEM) V-belt can be dangerous by not disengaging completely.

LT-175

Model 696

REF. NO.	PART NO.	DESCRIPTION	REF. NO.	PART NO.	DESCRIPTION
1	732-0750A	Spring Switch	60	736-0413	Spring Wash. .39" I.D.
2	712-0265	Hex Sems Nut 5/16-18 Thd.	61	712-0116	Hex L-Nut 3/8-24 Thd.
4	731-1734	Index Bracket	62	712-0711	Hex Jam Nut 3/8-24 Thd.
5	710-0924	Pan Hd. Mach. Scr. 1/4-20 x .75" Lg.	63	783-0090A	Neutral Return Brkt.
6	710-0599	Hex Wash. Hd. TT-Tap Scr. 1/4-20 x .5"	64	711-0832	Ferrule 3/8-24 Thd.
7	712-0138	Hex Nut 1/4-28 Thd.	65	747-0365	Control Rod
8	736-0329	L-Wash. 1/4" I.D.*	66	723-0351	Ball Joint 3/8-24 Thd.
10	710-0195	Hex. Bolt 1/4-28 x .62" Lg.	67	748-0234	Shld. Spacer .5" Dia. x .27" Lg.
11	783-0310B	Lower Frame Ass'y.	68	736-0159	FI-Wash. .349" I.D. x .879" O.D.
14	725-1426	Solenoid	69	710-1189	Hex Tap Scr. #12 x .625" Lg.
15	736-0222	Ext. L-Wash. 1/4" I.D.	70	731-1449A	Fan
17	750-0956	Spacer	71	712-0333	Hex Nut 1/2-20 Thd.
18	756-0983	Engine Pulley	72	736-0921	L-Wash. 1/2" I.D.*
19	711-1044	Belt Guard Stud 4.75" Lg.	73	712-0241	Hex Nut 3/8-24 Thd.
20	736-0322	FI-Wash. 7/16" I.D. x 1.25" O.D.	74	736-0169	L-Wash. 3/8" I.D.
21	736-0171	L-Wash. 7/16" I.D.*	75	756-0975	Transmission Pulley
22	710-0757	Hex Bolt 7/16-20 x 1.5" Lg.	76	732-0729	Wire Ring
23	735-0196	Foot Pad	77	754-0349	"V"-Belt
24	683-0049	Brake Lockout Brkt. Ass'y.	78	756-0981	FI-Idler Pulley 2.75" O.D.
26	732-0728	Foot Pedal Return Spring	79	720-0238	Rod End Grip
27	738-0296	Shld. Bolt .437" Dia. x .268"	80	747-0894	Bypass Control Lever
28	736-0406	FI-Wash. 7/16" I.D. x 1-3/8" O.D.	81	783-0085	Transaxle Support Brkt.-L.H.
29	747-0608A	Lock-up Rod	82	710-0805	Hex Bolt 5/16-18 x 1.5" Lg.
30	17755A	Bracket	83	732-0384	Ext. Spring 6.12
31	736-0119	L-Wash. 5/16" I.D.*	84	683-0051	Idler Brkt. Ass'y.
32	712-0267	Hex Nut 5/16-18 Thd.*	85	710-3103	Hex Bolt 5/16-18 x 2.5" Lg.*
33	720-0166	Ball Knob	86	710-3008	Hex Bolt 5/16-18 x .75" Lg.*
34	732-0727	Neutral Return Spring	87	748-0234	Shld. Spacer .5" Dia. x .27" Lg.
35	712-0273	Hex Nut 5/16-24 Thd.	88	783-0086A	Transaxle Support Brkt.-R.H.
36	736-3078	FI-Wash. .344" I.D. x 1" O.D.	89	747-0886	Brake Rod 24.94" Lg.
37	783-0092	Scissor-Flat	90	732-0716	Ext. Spring
38	736-0362	FI-Wash. .33" I.D. x 1.25" O.D.	91	747-0893	Bypass Actuator Rod
39	750-0808	Spacer	92	736-0142	FI-Wash. .281" I.D. x .5" O.D.
40	736-0219	Bell-Wash. .4" I.D. x 1.13" O.D.	93	783-0098	Bypass Adjustment Brkt.
41	761-0196	Friction Washer	94	736-0222	External L-Wash. 1/4" I.D.
42	750-0918	Centering Gauge Spacer	95	731-1086A	Sleeve .758" I.D. x 1" O.D.
43	783-0095	Neutral Return Mtg. Brkt.	96	710-0604	Hex. TT-Tap Scr. 5/16-18 x .62"
44	736-0270	Bell-Wash. .265" I.D. x .75" O.D.	97	17994	Retainer Brkt.-Transaxle
45	732-0718	Comp. Spring 1.19" Lg.	98	710-0176	Hex Bolt 5/16-18 x 2.75" Lg.
46	736-3092	FI-Wash. .26" I.D. x .72" O.D.	99	732-0250	Tension Spring
47	712-0123	Hex Nut 5/16-24 Thd.	100	710-0888	Hex Bolt 5/16-24 x 1" Lg. (Special)
48	710-0299	Hex Bolt 1/4-28 x 1" Lg. (Gr. 5)	101	710-0224	Hex Wash. Hd. AB-Tap Scr. #10 x .5" Lg.
49	710-1012	Rib Neck Bolt 5/16-24 x .84" Lg.	107	647-0008A	Speed Control Lever Ass'y.
50	783-0093	Scissor-Offset	108	17668	Axle Support Brkt.-R.H.
51	747-0887	Neutral Return Rod		17669	Axle Support Brkt.-L.H. (Not Shown)
52	738-0879	Friction Disc Stud	109	732-0433	Ext. Spring 2.75" Lg.
53	748-0368	Shld. Spacer	110	736-0141	Spr-Wash. .445" I.D. x .75" O.D.
54	783-0096	Neutral Return Lever	111	17840	Transaxle Mtg. Brkt.
55	736-3092	FI-Wash. .265" I.D. x 1" O.D.	112	725-1657A	Safety Switch (Clutch)
56	736-0329	L-Wash. 1/4" I.D.*	115	710-1238	Hex TT-Tap Scr. 5/16-18 x .75"
57	712-0287	Hex Nut 1/4-20 Thd.*	116	683-0123	Clutch/Brake Pedal Ass'y.
58	714-0104	Hairpin Clip	117	750-0802	Spacer .63" I.D.
59	736-0262	FI-Wash. .375" I.D. x .87" O.D.	118	17860	Pedal Bracket

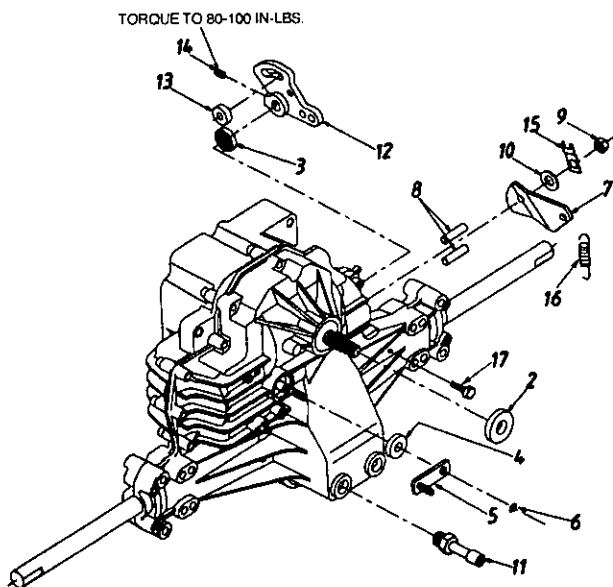
LT-175

Model 696

REF. NO.	PART NO.	DESCRIPTION	REF. NO.	PART NO.	DESCRIPTION
119	736-3008	Fl-Wash. .344" I.D. x .75" O.D.	134	731-1480	Plastic Vent
120	714-0111	Cotter Pin 3/32" Dia.	135	726-0324	Clamp
121	714-0470	Cotter Pin 1/8" Dia.	136	721-0330	"O"-Ring
122	736-0140	Fl-Wash. .385" I.D. x .62" O.D.	137	731-1485	Hose Fitting
123	710-0227	Hex AB-Tap Scr. #8 x .5" Lg.	138	751-0588-20	Fuel Line 20" Lg.
124	726-0320	Insulator Nut Plate	139	710-0627	Hex Bolt 5/16-24 x .75" Lg.
125	725-1713	Reverse Safety Switch	140	736-0242	Bell-Wash. .345" I.D. x .88" O.D.
126	725-1399	Extension Wire	141	734-0255	Air Valve
127	710-0520	Hex Bolt 3/8-16 x 1.5" Lg.	142	**634-0070	Rim Only
128	756-0116	Idler Pulley	143	734-1675	Wheel Ass'y. Comp.
129	736-0280	Fl-Wash. .39" I.D.		734-1596	Tire Only
130	712-0798	Hex Nut 3/8-16 Thd.*	146	783-0099	Idler Bracket
131	720-0218	Shift Knob	147	710-1315	Hex TT-Tap Scr. 3/8-16 x 1.25"
133	731-1481	Vent Cap	148	750-0258	Spacer .32" x .75" (Used w/46" Deck)

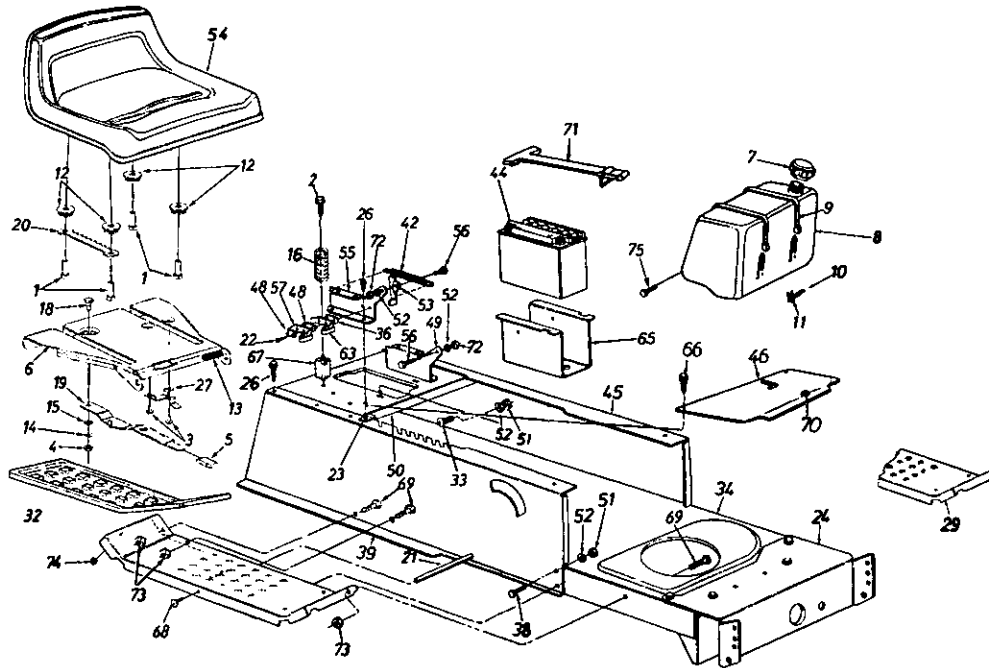
LT-175

Model 696



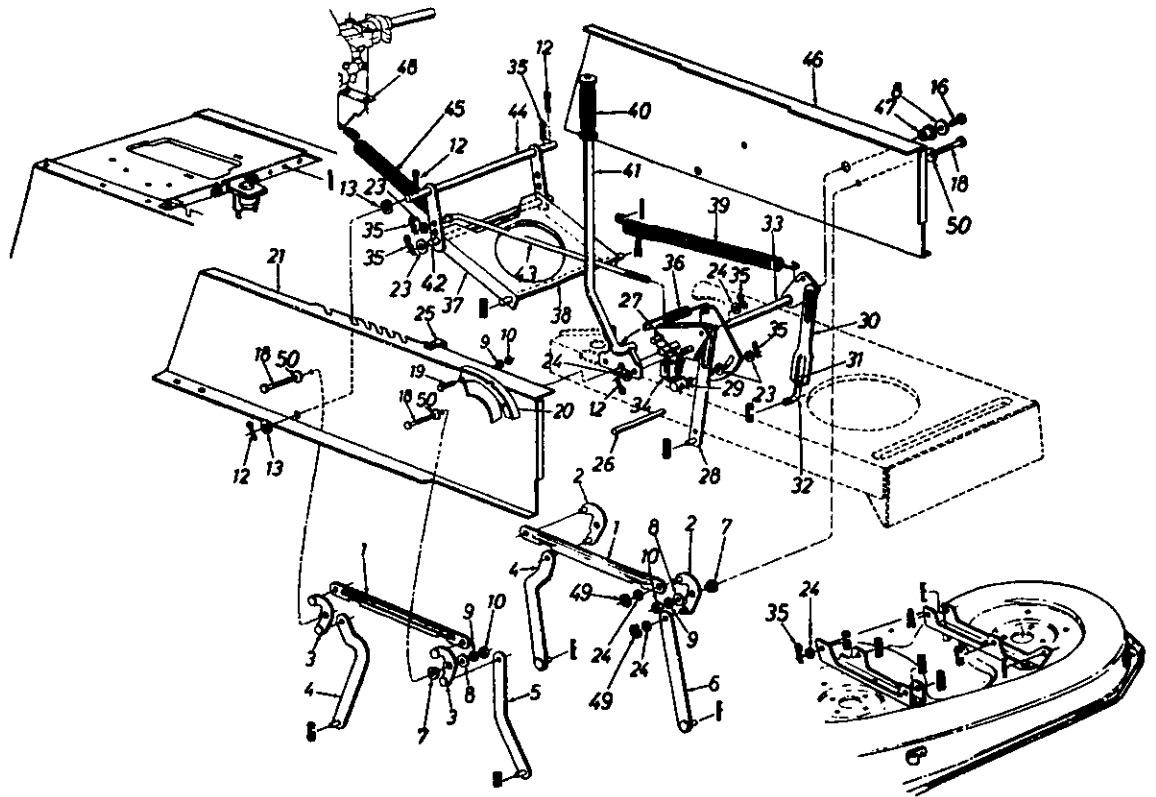
REF. NO.	PART NO.	DESCRIPTION
1	718-0255A	Transmission Comp.
2	HG-9008000-0128	Seal—Lip
3	HG-9008000-0126	Seal—Lip
4	HG-45074	Seal—Lip 10 x 25 x 7
5	HG-50126	Arm—Bypass
6	HG-44870	Ring—Retaining
7	HG-44094	Arm—Actuating
8	HG-44891	Pin—Actuating
9	HG-50108	Nut—Hex Lock 5/16-24 UNJC
10	HG-44130	Washer 7/16" x 7/8" x .060"
11	HG-50042	Breather Ass'y.
12	HG-45007	Arm—Control
13	HG-50034	Puck—Dampener
14	HG-50018	Set Screw
15	HG-50129	Strap, Locking
16	HG-50384	Spring, Extension
17	HG-50653	Self Tapping Screw #10-32 x .5"

LT-175 Model 696



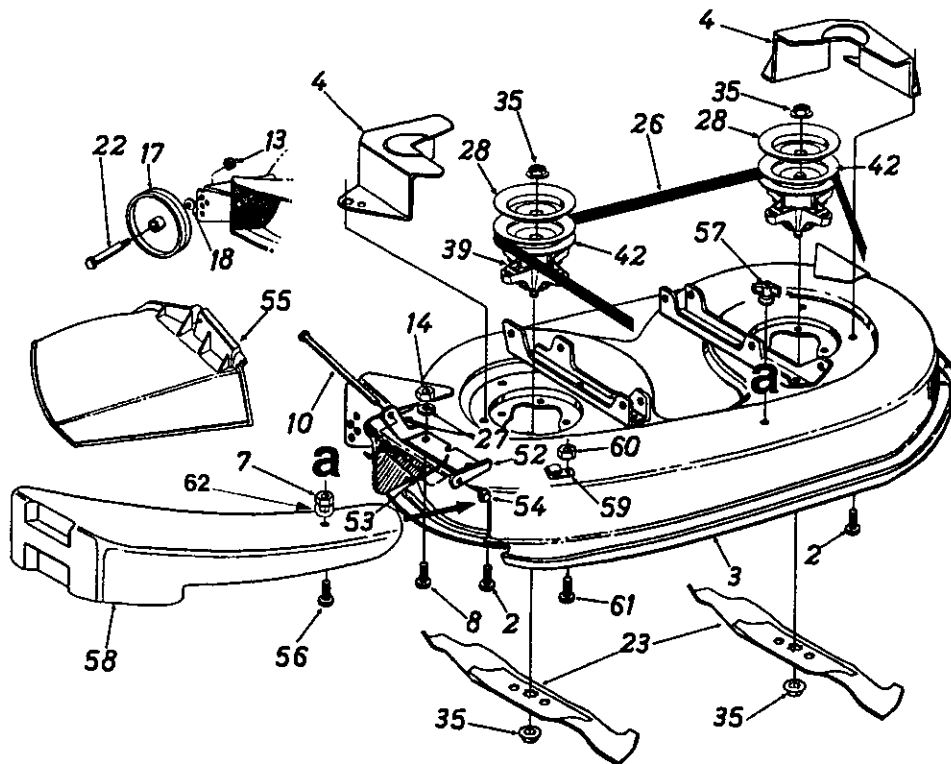
REF. NO.	PART NO.	DESCRIPTION	REF. NO.	PART NO.	DESCRIPTION
1	738-1007	Shoulder Screw 3/8-16 x .5	33	710-0323	Truss Mach. Scr. 5/16-18 x .75" Lg.*
2	710-1208	Hex Wash. Hd. Tap Scr. 5/16-18 x 3.25" Lg.	34	783-0310C	Lower Frame
3	710-1268	Hx Scr. B-Tap Wash. #10-16: .38 Lg.	36	726-0278	Insulator Boss Plate
4	712-3027	Lock Nut 1/4-20	38	710-3008	Hex Bolt 5/16-18 x .75" Lg.*
5	720-0309A	Grip	39	783-0042A	Upper Frame—R.H.
6	783-0607A	Seat Pivot Bracket	42	732-0581B	Extension Spring 5.31" Lg.
7	751-0603	Fuel Cap	44	725-1750	12-V Battery
8	751-0657	Fuel Tank	45	783-0043	Upper Frame—L.H.
	749-0934	Fuel Tank Support Rod (Not Shown)	46	783-0133B	Shift Cover
9	726-0209	Tie Strap	48	726-0279	Insulator Plate
10	751-0535-15	Fuel Line	49	17951	Seat Pivot Brkt. Support—L.H.
11	726-0205	Hose Clamp	50	783-0355A	Hitch Plate
12	731-1989	Seat Spacer	51	712-3010	Hex Nut 5/16-18 Thd.*
13	732-0499	Compression Spring	52	736-0119	L-Wash. 5/16" I.D.*
14	736-0175	Wash. Spring .265 x .562 x .025	53	17239A	Seat Lift Brkt.
15	736-0204	Fl. Wash. .344 ID x .62 OD x .03	54	757-0370A	Seat
16	732-0735	Compression Spring	55	17950	Seat Pivot Brkt. Support—R.H.
17	736-0300	Fl. Wash. .406 ID x .875 OD x .059	56	738-0296	Shld. Bolt .437" Dia. x .268"
18	738-0137A	Shldr. Scr. .340 x .285 - 1/4-20	57	725-1303	Spring Switch
19	783-0609	Seat Lever	63	725-1439	Safety Switch (Seat)
20	783-0753	Seat Selector	65	783-0345	Battery Tray
21	738-0526	Running Board Rod	66	710-0351	Truss Mach. B-Tap Scr. #10 x .5" Lg.
22	710-0227	Hex AB-Tap Scr. #8 x .50"	67	748-0347	Spring Spacer
23	726-0139	Speed Nut #10Z	68	710-0323	Pan Hd. Scr. 5/16-18 x .75" Lg.
24	783-0041B	Front Pivot Brkt.	69	710-3008	Hex Bolt 5/16-18 x .75" Lg.*
26	710-0726	Hex Wash. Hd. AB-Tap Scr. 5/16 x .75" Lg.	70	731-0405	Snap Bushing
27	783-0611	Seat Stop	71	723-3064	Battery Retainer Strap
29	17770C	Running Board (R.H. & L.H.)	72	712-3010	Hex Nut 5/16-18 Thd. (Gr. 5)
32	731-0909	Rubber Foot Pad—L.H.	73	712-0265	Hex Sems Nut 5/16-18 Thd.
	731-0910	Rubber Foot Pad—R.H.	74	712-0271	Hex Sems Nut 1/4-20 Thd.
			75	710-1189	Hex Screw 12-24 x .62
			—	761-0168B	Blade Brake (Not Shown)

LT-175 Model 696



REF. NO.	PART NO.	DESCRIPTION	REF. NO.	PART NO.	DESCRIPTION
1	783-0103	Connecting Rod	29	711-0723A	Adj. Ferrule 3/8-24 Thd.
2	683-0029A	Pivot Link Ass'y.—L.H.	30	17712	Adj. Deck Lift Link
3	683-0028A	Pivot Link Ass'y.—R.H.	31	712-3066	Hex Nut 1/2-20 Thd. (Gr. 5)
4	17710	Deck Hanger Link Ass'y.	32	711-0841	Lift Link Adjuster
5	14800A	Deck Hanger Link Ass'y.	33	683-0059	Lift Shaft Ass'y.
6	14804A	Deck Hanger Link Ass'y.	34	725-1657	Safety Switch (Deck)
7	748-0331	Shld. Spacer .318" I.D.	35	714-0145	Inter. Cotter Pin 3/8" Dia.
8	736-0264	FI-Wash. .344" I.D. x .62" O.D.	36	732-0637	Extension Spring
9	736-0119	L-Wash. 5/16" I.D.*	37	17636C	Stabilizer Bracket
10	712-3010	Hex Nut 5/16-18 Thd. (Gr. 5)	38	738-0670	Shaft 1/2" Dia. x 10.28" Lg.
12	714-0470	Cotter Pin 1/8" Dia.	39	732-0638	Extension Spring
13	736-0256	FI-Wash. .635" I.D. x 1.0" O.D.	40	720-0233	Grip (Lift Handle)
16	710-0604	Hex Wash. TT-Tap Scr. 5/16-18 x .75" Lg.	41	97675A	Deck Lift Handle Ass'y.
18	710-1238	Hex Wash. Hd. Scr. 5/16-18 x .875" Lg.	42	738-0669	Shaft 3/8" Dia. x 9.34" Lg.
19	710-3008	Hex Bolt 5/16-18 x .75" Lg.	43	747-0598	Disengagement Rod
20	783-0118	Index Brkt.	44	97624	Stabilizer Shaft Ass'y.
21	783-0042B	Upper Frame—R.H.	45	732-0556	Extension Spring 7.58" Lg.
23	736-0267	FI-Wash. .385" I.D. x .87" O.D.	46	783-0043	Upper Frame—L.H.
24	736-0160	FI-Wash. .531" I.D. x .93" O.D.	47	741-0313	Flange Brg. .632" I.D.
25	726-0272	Clamp	48	17128A	Spring Retainer Brkt.
26	738-0526	Running Board Rod	49	716-0104	"E"-Ring
27	710-3007	Hex Wash. Hd. Tap Scr.	50	736-0425	Bell-Wash. .325" I.D.
28	14802A	Link Deck Lift Ass'y.			

LT-175 Model 696



Ref. No.	Part No.	Description	Ref. No.	Part No.	Description
2	710-1260A	Hex Wash. Hd. TT-Tap Scr. 5/16-18 x .75"	33	710-0157	Hex Bolt 5/16-24 x .75" Lg.
3	683-0141	42" Deck Ass'y. **	35	712-0417A	Hex Flange Nut 5/8-18 Thd.†
	753-0698	42" Deck Ass'y. Comp.(For Service Only) **	37	736-0158	L-Wash. 5/8" I.D.*
4	783-0149	Belt Guard Deck	39	618-0142	Blade Spindle Ass'y. (Incl. Ref. 28, 35, 42)
7	712-3006	Hex L-Nut 1/4-20 Thd.††	42	756-0980	5.75" Dia. Pulley†
8	710-0751	Hex Bolt 1/4-20 x .62"	52	703-1693	Hinge Mtg. Brkt.
10	711-0792	Hinge Pin	53	732-0602	Torsion Spring
13	712-0181	Hex Top L-Nut 3/8-16 Thd.	54	726-0106	Push Nut
14	712-3006	Hex Nut 1/4-20 Thd. (Gr. 5)	55	731-1032	Chute Ass'y. (Incl. Ref.10, 52, 53, 54, 55)
17	734-0973	Deck Wheel—5"	56	710-0597	Hex Bolt 1/4-20 x 1" Lg.††
18	736-0105	Bell-Wash. .40" I.D. x .88" O.D.	57	712-3087	Wing Nut 1/4-20 Thd.††
22	738-0373	Shld. Bolt .498" Dia. x 1.53"	58	731-1643A	Mulching Plug††
23	742-0616	3 in 1 Blade	59	16606	Retainer Hook Brkt.
26	754-0371A	V-Belt	60	712-0271	Hex Sems Nut 1/4-20 Thd.
27	736-0270	Bell-Wash. 1/4" I.D.	61	710-0751	Hex Bolt 1/4-20 x .62" Lg.
28	783-0342	Brake Disc	62	736-0173	Flat Washer .28 ID x .74 OD

† Deck pulleys and blade nuts must be torqued to 100 ft. lbs. if removed or replaced.

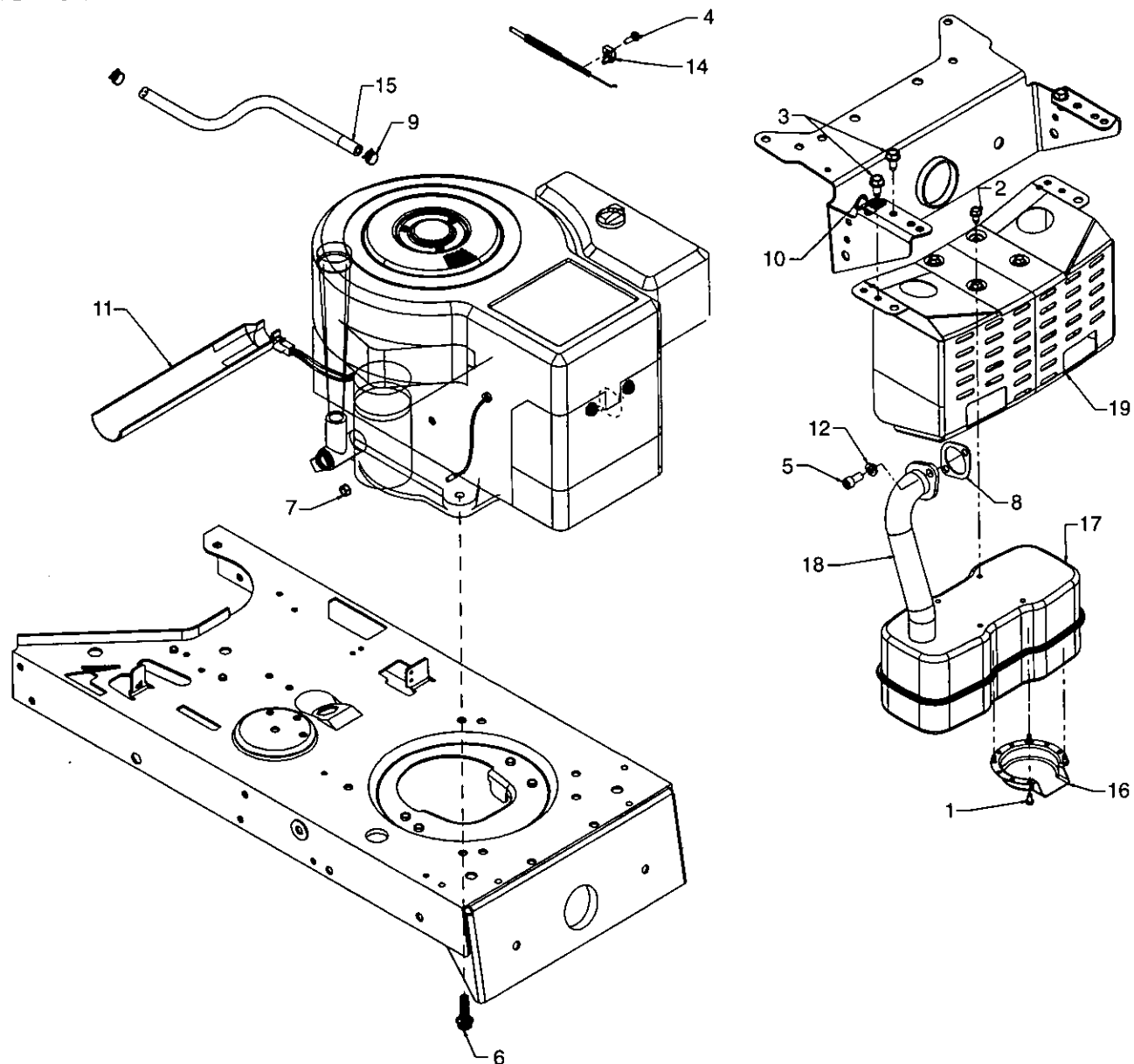
†† Optional

** Must be ordered with 4 digit color code.

IMPORTANT: For a proper working machine, use Factory Approved Parts.

V-BELTS are specially designed to engage and disengage safely. A substitute (non OEM) V-belt can be dangerous by not disengaging completely.

LT-175 Model 696



Ref. No.	Part No.	Description	Ref. No.	Part No.	Description
1	710-0148	Hex Slot Scr. #8-32 x .38" Lg.	10	726-0272	Clamp 9/16 Dia.
2	710-0599	Hex Washer TT-Tap Scr. 1/4-20 x .5"	11	731-1682A	Oil Drain Sleeve
3	710-0604	Hex Washer TT-Tap Scr. 5/16-18 x .62"	12	736-0119	L-Wash. 5/16" I.D.*
4	710-1237	Scr. #10-32-.620 Hx. Slot Wash.	14	751B213146	Casing Clamp, Throttle, B&S
5	710-1314	Socket Hd. Bolt 5/16-18 x .62" Lg.	15	751-0535-13	Fuel Line Hose
6	710-1315	Scr. 3/8-16 x 1.25	16	751-0564	Muffler Deflector
7	712-0271	Nut, Hex 1/4-20	17	751-0617	Muffler
8	721-0208	Exhaust Gasket	18	751-0619	Exhaust Pipe
9	726-0205	Hose Clamp .49 Dia.	19	783-0615	Muffler Heat Shield

LT-175 Model 696

