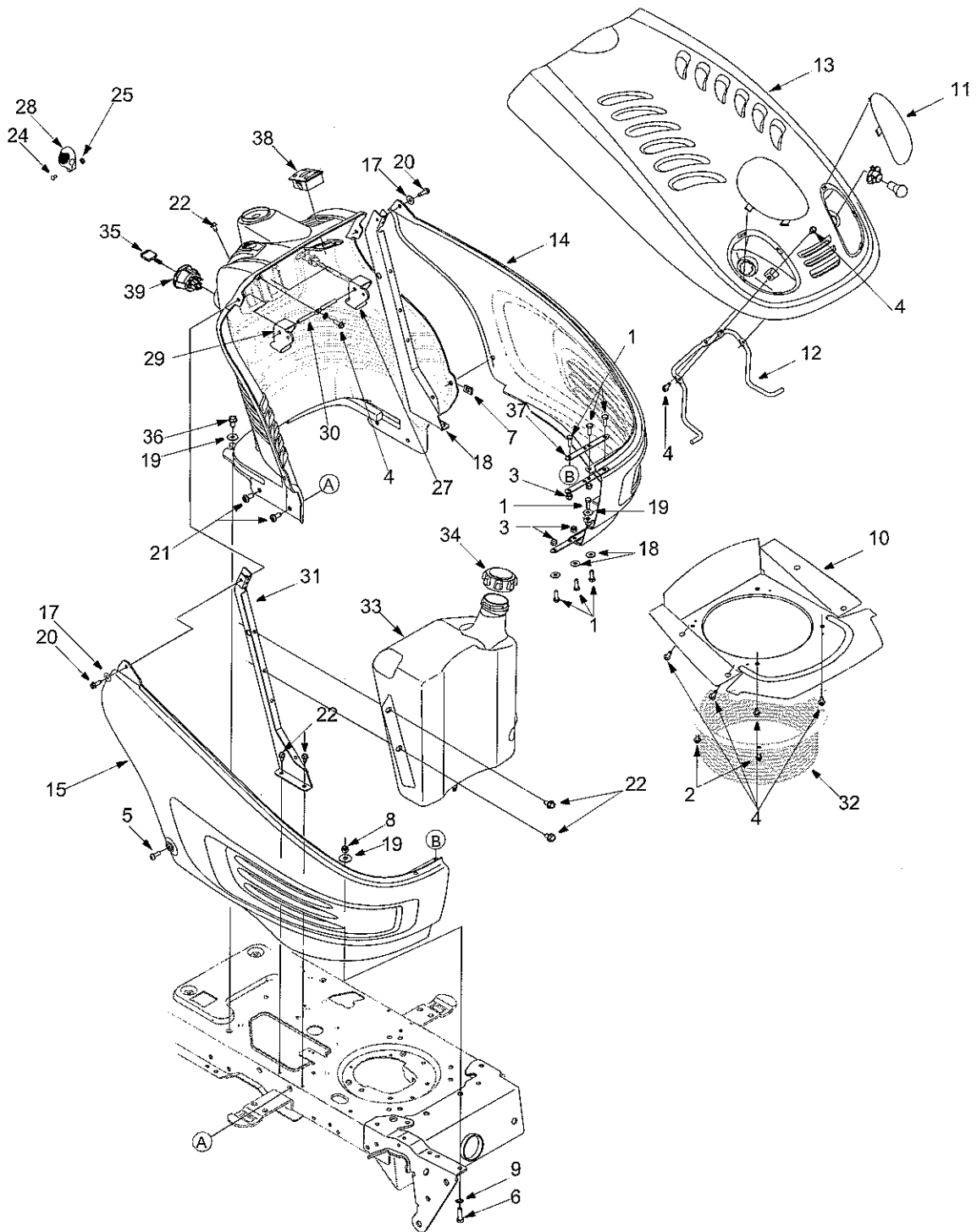


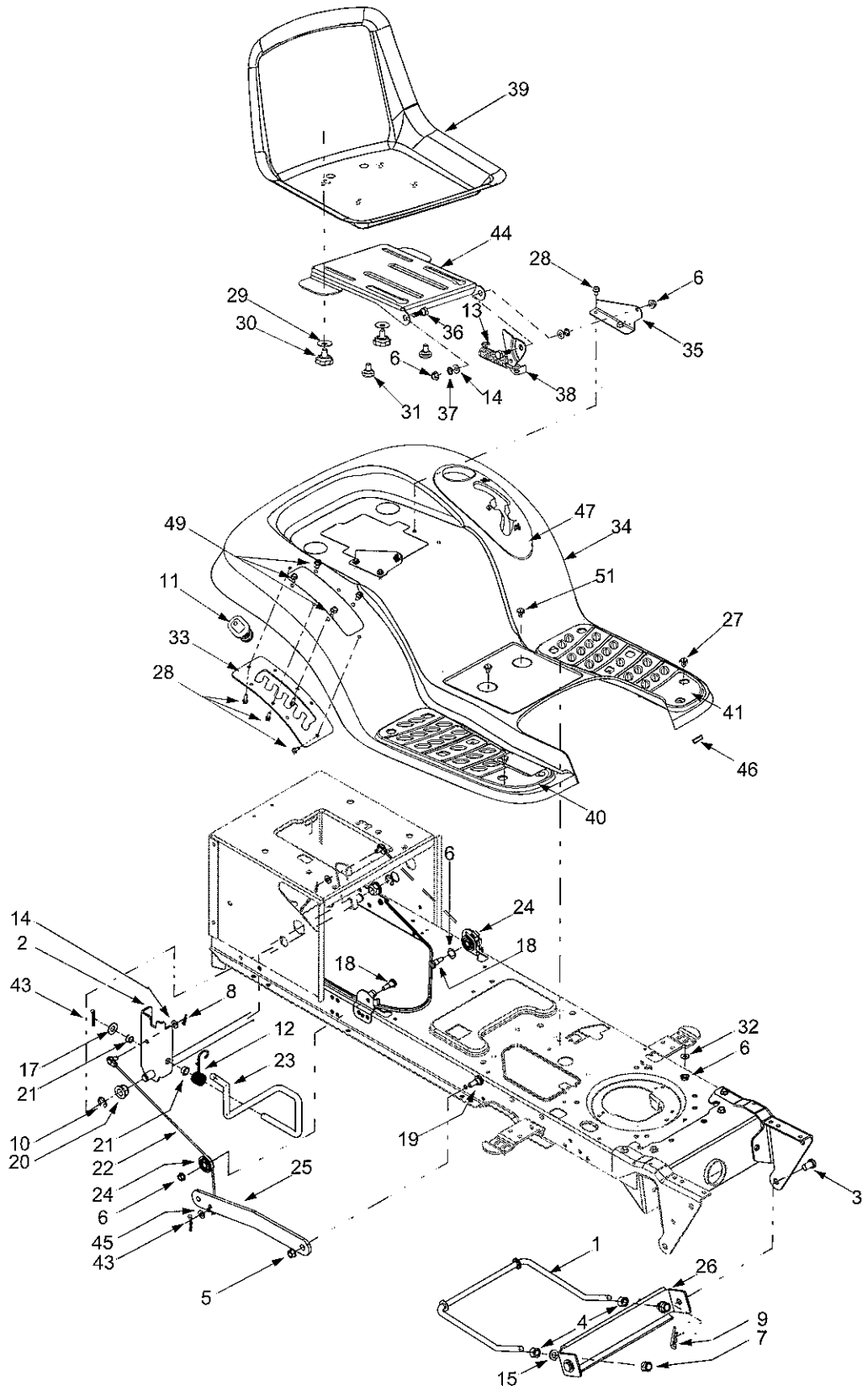
SECTION 9: PARTS LIST FOR MODELS 604G & 604H



Models 604G & 604H

REF. NO.	PART NO.	DESCRIPTION	REF. NO.	PART NO.	DESCRIPTION
1	710-3015	Hex Cap Screw, 1/4-20 x .75	22	710-0599	Self-tapping Screw, 1/4-20 x .50
2	710-0599	Self-tapping Screw, 1/4-20 x .50	23	710-1017	Torx Self-tapping Screw, 1/4-14 x .625
3	712-0324	Hex Lock Nut, 1/4-20	24	710-3217	Torx Screw, #8-32 x .375
4	710-0895	Self-tapping Screw, 1/4-15 x .75	25	712-0142	Hex Nut, 8-32
5	710-0924	Pan Phillips Screw, 1/4-20 x .75	26	731-0069D	Dash Panel
6	710-0376	Hex Cap Screw, 5/16-18 x 1.0	27	731-0072	Parking Brake Button
7	712-0292	U-type Speed Nut, 1/4-20	28	731-1857	Throttle Control Lever
8	712-0429	Lock Nut, 5/16-18	29	731-2106	Cruise Control Button
9	726-0201	Speed Nut	30	747-1155	Brake/Cruise Pivot Rod
10	783-0808A	Hood Heat Shield	31	783-04285	Dash Support Plate RH
11	731-1978	RH Headlight Lens	32	731-2234	Intake Bellow
	731-1979	LH Headlight Lens	33	751-0658E	Fuel Tank, 3-gallon
12	747-1132A	Hood Support Rod	34	751-0603	Fuel Cap
13	731-1980A	Hood	35	725-1745	Ignition Key w/ plastic cover
14	731-1981C	LH Side Panel		725-1744	Ignition Key w/o plastic cover
15	731-1982C	RH Side Panel	36	710-0726	Self-tapping Screw, 5/16-18 x .75
16	736-0329	Lock Washer, 1/4	37	783-1000A	Grille Support Bracket
17	736-0342	Flat Washer, .283 x .75 x .030	38	725-1758	Systems Indicator Monitor, Ammeter
18	783-04323	Dash Support Plate LH	39	725-1741	Ignition Switch
19	736-3078	Flat Washer, .349 x 1.0 x .063	40	625-0051	Headlight Assembly
20	710-0809	Self-tapping Screw, 1/4-20 x 1.25	—	629-0469B	Headlight Wire Harness
21	710-1611B	Self-tapping Screw, 5/16-18 x .75	—	629-1072	Tractor Wire Harness

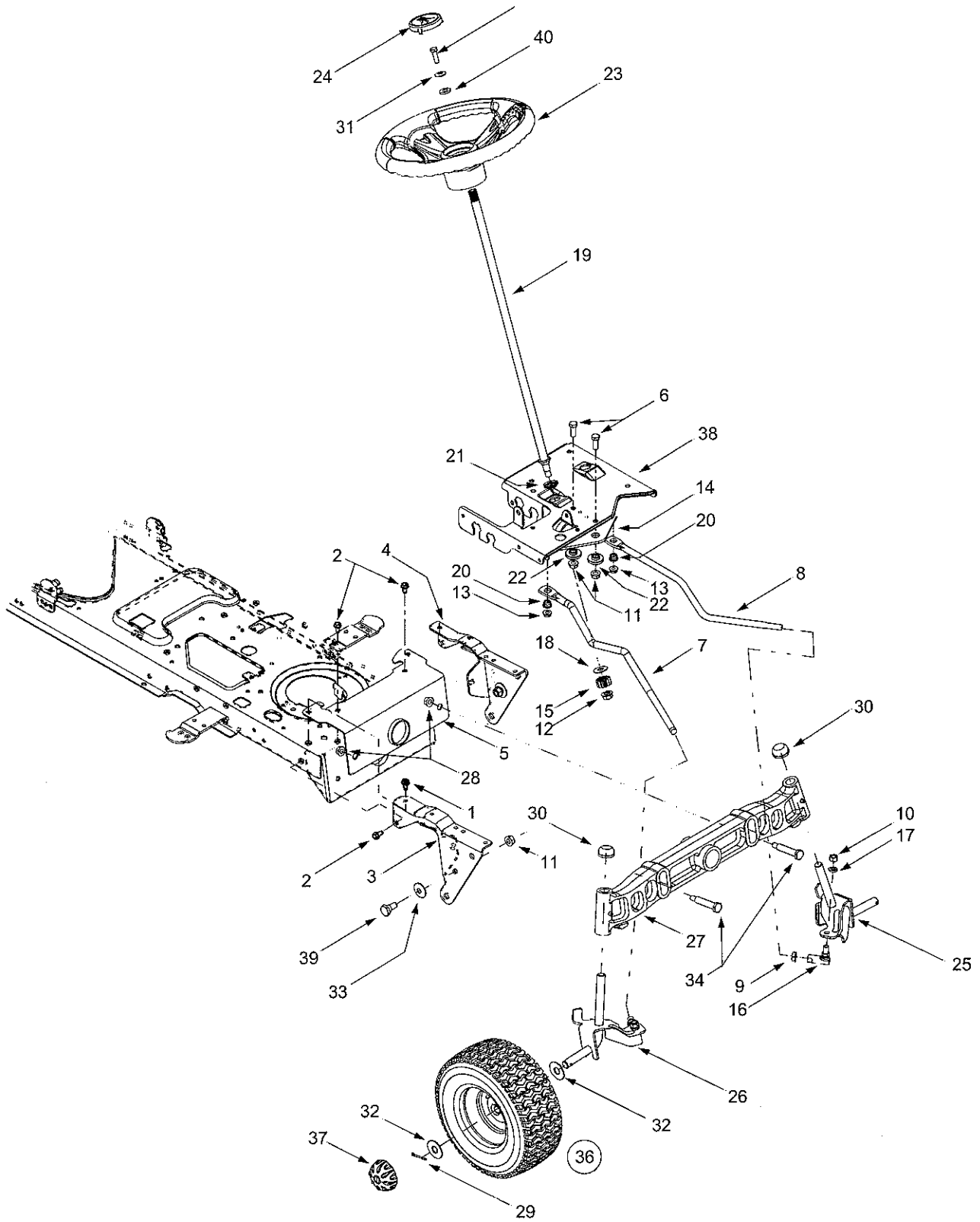
Models 604G & 604H



Models 604G & 604H

Ref. No.	Part No.	Description
1	747-1130B	Deck Stabilizer Rod
2	683-0197B	Lift Shaft Assembly
3	711-0332	Clevis Pin, .5 x 78
4	712-0206	Hex Nut, 1/2-13
5	712-0431	Flange Lock Nut, 3/8-16
6	712-0429	Lock Nut, 5/16-18
7	712-3083	Hex Nut, 1/2-13
8	714-0104	Internal Cotter Pin
9	714-0145	Internal Cotter Pin
10	716-0106	E-Ring
11	720-0311	Handle Grip
12	732-0874	Torsion Spring
13	732-1184	Extension Spring, .84 x 4.6
14	736-0275	Flat Washer, 5/16
15	736-0921	Lock Washer, 1/2
16	736-3019	Flat Washer, 531 x 1.062 x .134
17	736-3084	Flat Washer, 51 x 1.12 x .06
18	738-0138A	Hex Cap Screw, 5/16-18 x .62
19	738-0143	Shoulder Screw, 3/8-16
20	741-0225	Hex Flange Bearing
21	741-0715	Snap Flange Bearing
22	746-0968	Lift Cable, 16 16 (Model 604G)
	746-1144	Lift Cable, 15 62 (Model 604H)
23	747-1111A	Lift Handle
24	756-1154	Roller Pulley
25	783-0678A	Lift Arm
26	783-0720A	Deck Stabilizer Bracket
27	710-0260A	Carriage Bolt, 5/16 x .62
28	710-0604A	Self-tapping Screw, 5/16-18 x .625
29	736-0331	Bell Washer, 390 x 1.13 x .062
30	720-04009	Knob, 3/8-16
31	738-04012	Shoulder Screw
32	736-3078	Flat Washer, 349 x 1.0 x .063
33	783-1010A	Lift Adjustment Bracket
34	783-04314	Fender (Models w/Cup Holder)
35	783-1489	Seat Mounting Bracket
36	738-0296	Shoulder Screw
37	726-0201	Speed Clip
38	783-0209C	Seat Lift Bracket
39	757-04011B	Seat: Medium Back Yellow
40	735-0672	Foot Pad RH, Rubber
41	735-0673	Foot Pad LH, Rubber
42	726-3046	Foot Pad Clips
43	714-0111	Cotter Pin
44	783-04081A	Seat Pivot Bracket
45	736-0204	Flat Washer, 344 x .62
46	731-0511	Trim Strip
47	731-1990	Lift Lever Cover
48	731-2104B	Shift Lever Cover w/ Cup Holder
49	710-0895	Self-Tapping Screw, 1/4-15 x .75
50	731-04591	Cup Holder
51	710-0599	TT Screw, 1/4-20 x 0.5

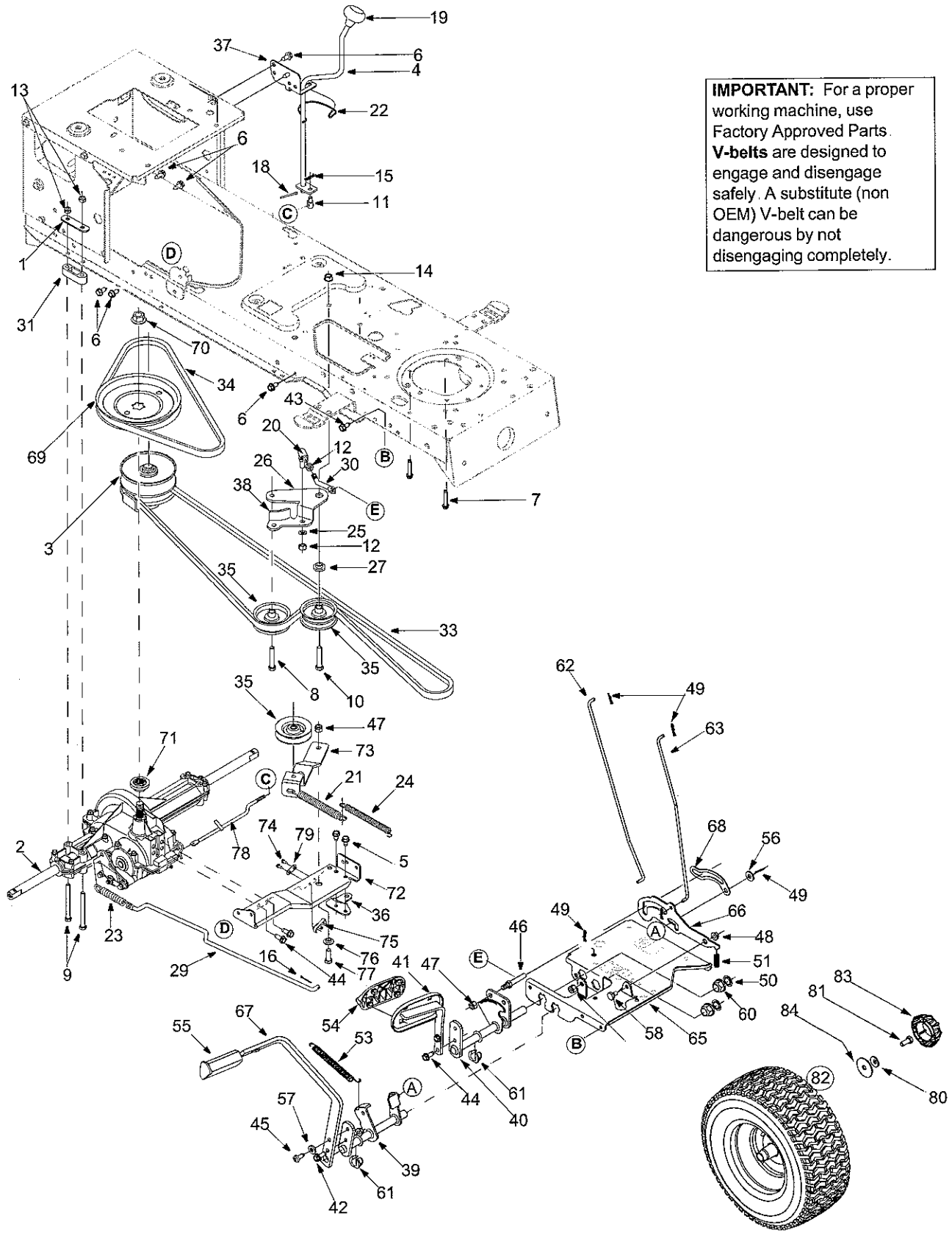
Models 604G & 604H



Models 604G & 604H

Ref. No.	Part No.	Description
1	710-1260A	Self-tapping Screw, 5/16-18 x .75
2	710-0604A	Self-tapping Screw, 16-18 x .625
3	783-0726B	RH Pivot Support Bracket
4	783-0727A	LH Pivot Support Bracket
5	783-0728	Pivot Bar Bracket
6	710-0514	Hex Cap Screw, 3/8-16 x 1 (Grade 5)
7	711-1408	RH Drag Link
8	711-1409A	LH Drag Link
9	712-0240	Jam Nut, 7/16-20 (Grade 2)
10	712-0241	Hex Nut, 3/8-24 (Grade 2)
11	712-0431	Flange Lock Nut, 3/8-16
12	712-0459	Flange Lock Nut, 7/16-20
13	712-3004A	Flange Lock Nut, 5/16-18
14	717-1550D	Steering Gear, 11/90 Ratio
15	717-1554	Steering Pinion Gear
16	723-0448A	Ball Joint, 7/16-20
17	736-0169	Lock Washer, 3/8
18	736-3084	Flat Washer, .51 x 1.12 x .06
19	738-1001A	Steering Shaft, 625 OD x 24 4
20	741-0475	Plastic Bushing, .38 ID
21	741-0656	Hex Flange Bearing, 5/8
22	738-0372B	Shoulder Spacer, .38 ID
23	631-04008	Steering Wheel, Soft Grip, Three Spoke
24	731-04040	Steering Wheel Cover
25	638-0019A	LH Axle Assembly (Model 604G)
	638-0021	LH Axle Assembly (Model 604H)
26	638-0020A	RH Axle Assembly (Model 604G)
	638-0022	RH Axle Assembly (Model 604H)
27	719-0399B	Pivot Bar w/ Fittings (Model 604G)
	719-0525B	Pivot Bar w/ Fittings (Model 604H)
28	712-0431	Flange Lock Nut, 3/8-16
29	714-0162	Cotter Pin
30	726-0214	Push Cap, 625 (Model 604G)
	726-0341	Push Cap, 750 (Model 604H)
31	736-0242	Bell Washer, 34 x .872
32	736-0285	Flat Washer, 635 x 1.589 x .06
33	736-0331	Bell Washer, .39 x 1.13 x .062
34	738-1011	Shoulder Screw, 5 x 2.2, 3/8-16
35	710-0643	Hex Bolt, 5/16-18 X 1
36	634-04086	Wheel Assembly Complete
—	634-04081	Rim Only
—	734-0255	Air Valve (Not Shown)
—	734-1731	Tire Only, Square Shoulder
—	741-0516A	Flange Bearing (Not Shown)
—	741-0990A	Flange Bearing w/ Fitting (Not Shown)
37	734-2290A	Hub Cap
38	783-0653F	Steering Support Bracket
39	738-0143	Shoulder Screw, 3/8-16
40	736-3004	Flat Washer, .406 x .875 x .105

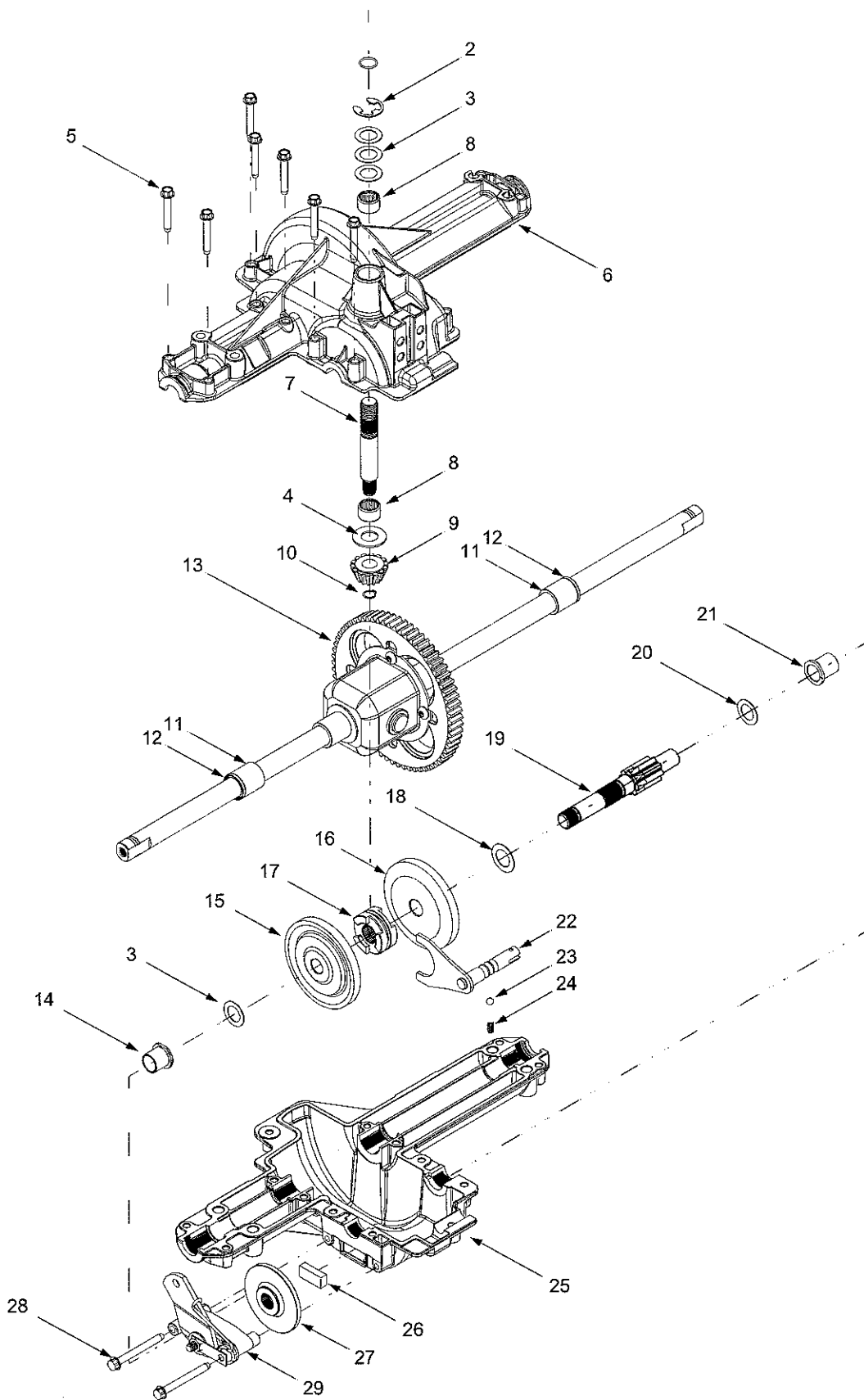
Models 604G & 604H



Models 604G & 604H

Ref. No.	Part No.	Description	Ref. No.	Part No.	Description
1	17840	Mounting Bracket	43	710-0726	AB Screw 5/16-12 x 0.75
2	618-04133	Drive Assembly	44	710-1260A	LD Screw 5/16-18 x 0.75
3	618-04147	Variable Spd Pulley Assembly	45	710-1611B	TT Screw 5/16-18 x 0.75
4	647-04020	Shift Lever Assembly	46	711-04159	Pin
5	710-0607	TT Screw 5/16-18 x 0.5	47	712-0130	Hex Lock Nut 3/8-16
6	710-0726	AB Screw 5/16-12 x 0.75	48	712-3004A	Flange Lock Nut
7	710-0809	TT Screw 1/4-20 x 1.25	49	714-0104	Cotter Pin
8	710-1007	TT Sems Screw 3/8-16 x 1.5	50	726-04028	Push Nut
9	710-1266	Hex Bolt 5/16-18 x 3.5	51	732-0335	Compression Spring
10	710-3144	Hex Bolt 3/8-16 x 2.0	53	732-0963	Extension Spring
11	711-0736	Ferrule	54	735-0662	Control Pad
12	712-0241	Hex Nut 3/8-24	55	735-3049	Brake Pad
13	712-0429	Hex Lock Nut 5/16-18	56	736-0262	Flat Washer
14	712-0431	Flange Lock Nut 3/8-16	57	736-3008	Flat Washer
15	714-0104	Hairpin Clip	58	738-0155	Shoulder Screw
16	714-0111	Cotter Pin	60	741-0225	Hex Flange Bearing
17	714-0209	Hairpin Clip	61	741-3065B	Hex Flange Bearing: Split
18	714-0470	Cotter Pin	62	747-04093	Brake Lock Rod
19	720-04028	Shift Knob	65	783-0653F	Steering Support Bracket
20	723-3018	Ball Joint	66	783-0732	Lock-Out Bracket
21	732-0384	Extension Spring	67	783-0773A	Brake Pedal
22	732-0525	Spring Clip	68	783-0780B	Neutral Return Bracket
23	732-0716	Extension Spring	69	756-04002	Transmission Pulley
24	732-0963	Extension Spring	70	712-0700	Flange Nut 9/16-18
25	736-0169	Lock Washer 3/8	71	718-0758A	Pulley Hub
26	737-3007	Grease	72	683-04055	Transmission Torque Bracket
27	738-0372B	Shoulder Spacer	73	683-04130	Idler Bracket
28	747-04146	Shift Rod	74	710-0227	AB Screw #8-18 x 0.5
29	747-04164	Brake Rod	75	725-1644	Spring Switch
30	747-1127	Idler Adj. Rod	76	750-0736	Shoulder Spacer
31	748-0334	Spacer: Transaxle	77	710-0514	Hex Bolt 3/8-16 x 1.0
32	750-0566A	Spacer	78	747-04146	Shift Rod
33	754-0467	V Belt	79	726-0320	Insulator Nut Plate
34	754-0468	V Belt	80	736-0242	Bell Washer
35	756-0981A	Flat Idler Pulley	81	710-0627	Hex Cap Screw
36	783-04283	Shift Bracket	82	634-0104	Wheel Assembly
37	783-04360	Shift Bracket		634-0070	Rim Assembly
38	783-04442	Double Idler Bracket: Center		734-0255	Air Valve
39	647-0031C	Brake Control Assembly		734-1730	Tire
40	647-0032A	Speed Control Assembly	83	734-2290A	Hub Cap
41	683-0266	Drive Pedal Assembly	84	736-0430	Flat Washer
42	710-0650	TT Screw 5/16-18 x 0.875			

Models 604G & 604H



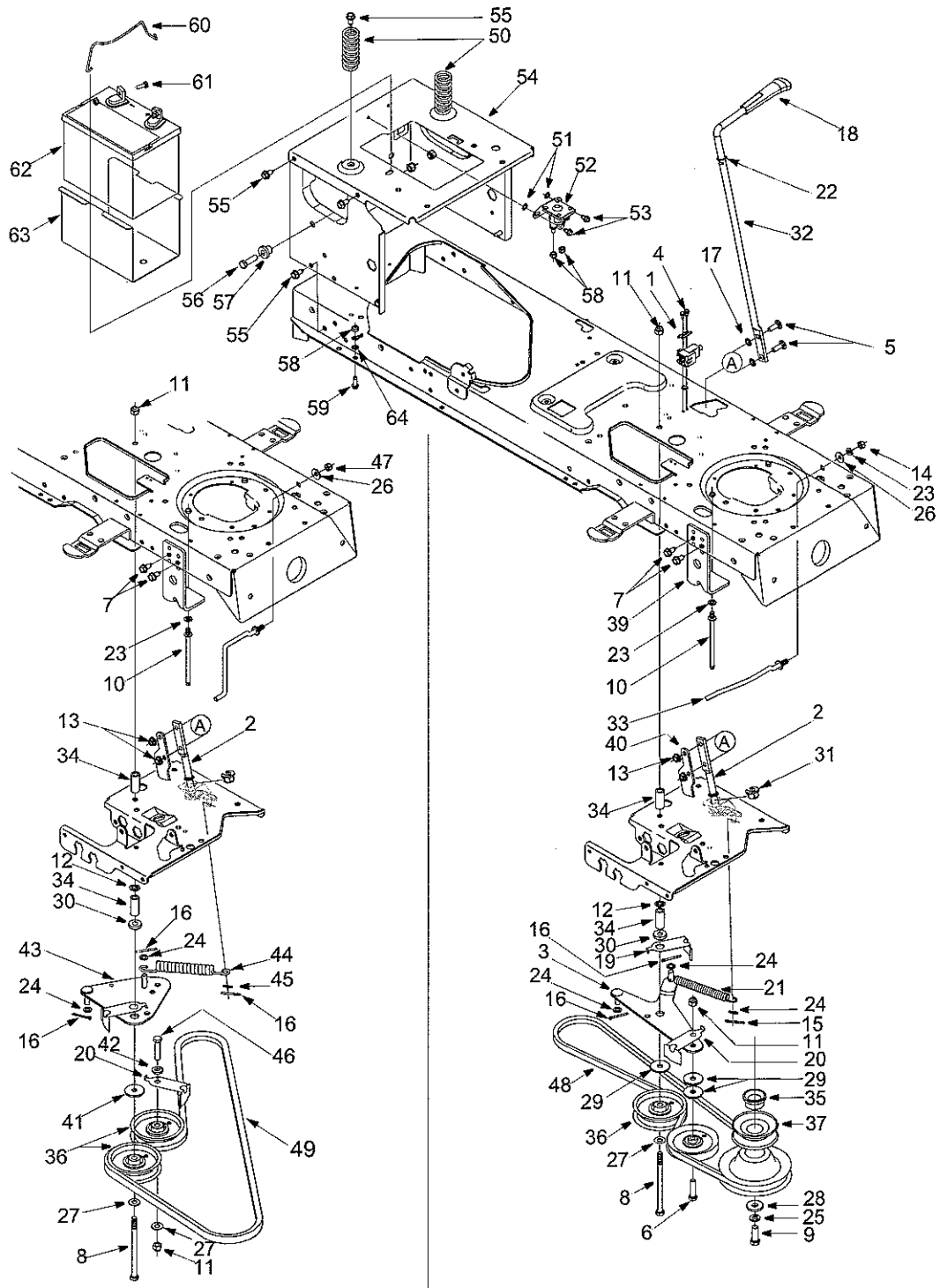
Models 604G & 604H

Ref. No.	Part No.	Description
1	732-0614	Ring, Wire
2	716-0231	Ring, E Type, .750
3	736-0336	Flat Washer, 5/8 x 1.0 x .030*
	736-0337	Flat Washer, 5/8 x 1.0 x .040*
	736-0349	Flat Washer, 5/8 x 1.0 x .020*
4	736-0335	Washer, Thrust .635 x 1.26 x .06
5	710-1325	Self-tapping Screw, 1/4-20 x 1.625
6	719-04017	Upper Housing
7	711-1109	Input Shaft
8	741-0335	Needle Bearing, 625 x .813 x .495
9	717-1464	14-tooth Bevel Pinion
10	716-0108	Retaining Ring, 437
11	741-0340	Sleeve Bearing, 75 x 1.0 x 1.0
12	721-0338	Seal, 75 x 1.0 x .125
13	618-04041	Differential Assembly
14	741-0336	Flange Bearing, 5/8 x 3/4 x 3/4
15	717-1362	42-tooth Bevel Gear
16	717-1363	42-tooth Bevel Gear
17	718-0228	Clutch Collar
18	736-0519	Flat Washer, .70 x 1.125 x .031
19	711-04053	Drive Shaft
20	736-0495	Thrust Washer, 1.0 x .632 x .0
21	741-0337	Flange Bearing, 5/8 x 3/4 x 15/16
22	611-0011	Detent Shaft Assembly
23	741-0862	Detent Ball
24	732-0863	Compression Spring
25	719-04018	Lower Housing
26	717-0678	Brake Puck
27	761-0202	Brake Disc
28	710-1206	Self-tapping Screw, 1/4-20 x 2.375
29	661-0001	Brake Assembly
—	737-0148	Grease (19 oz.)

*Use applicable flat washer (12a, 12b or 12c) in this application allowing .0150/ .0020 in end-play

NOTE: *If rebuilding the upper housing of the transmission, add two ounces of Unirex[®] N3 grease (Part No. 737-0289) in the input shaft cavity*

Models 604G & 604H



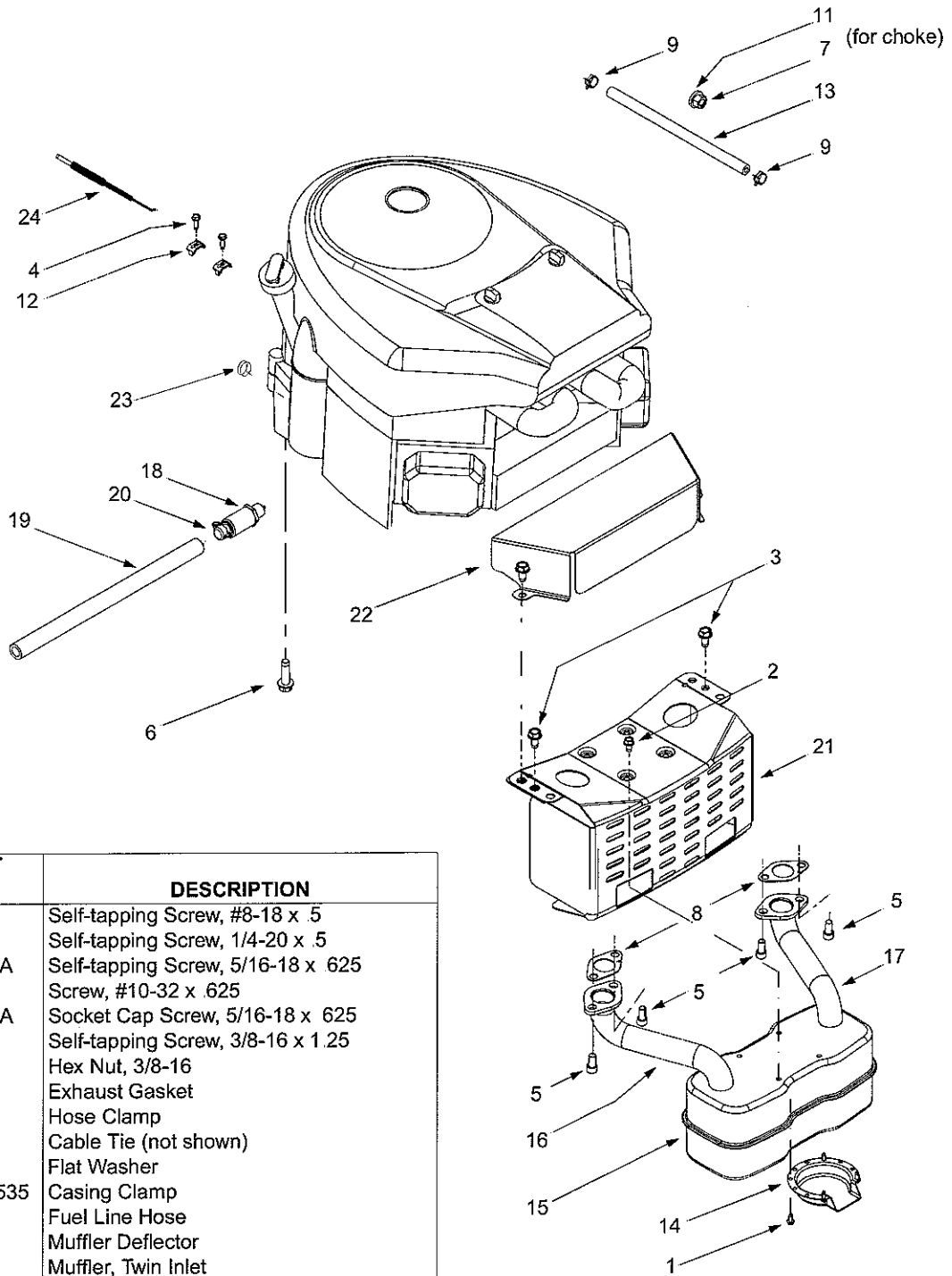
Model 604H

Model 604G

Models 604G & 604H

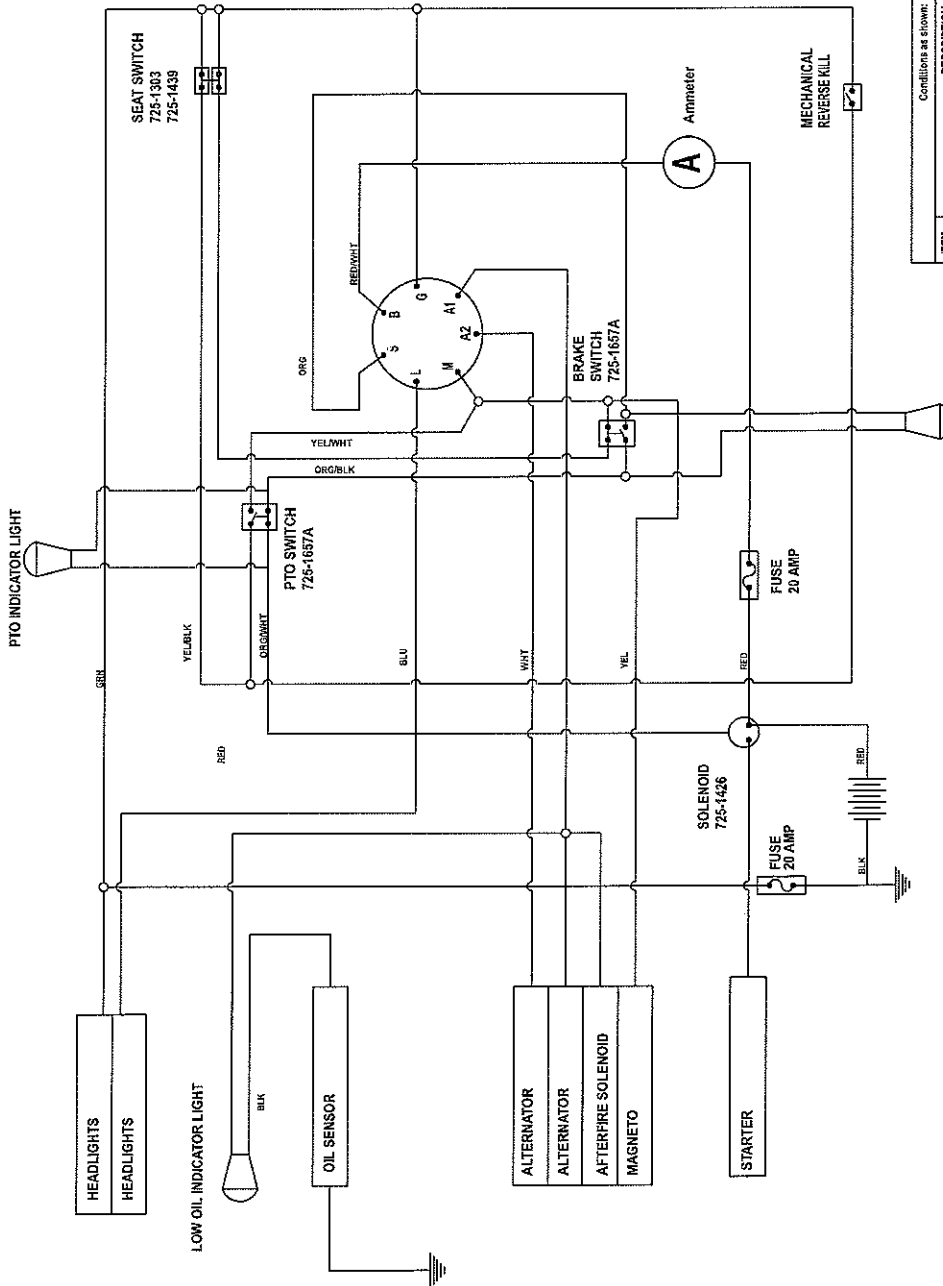
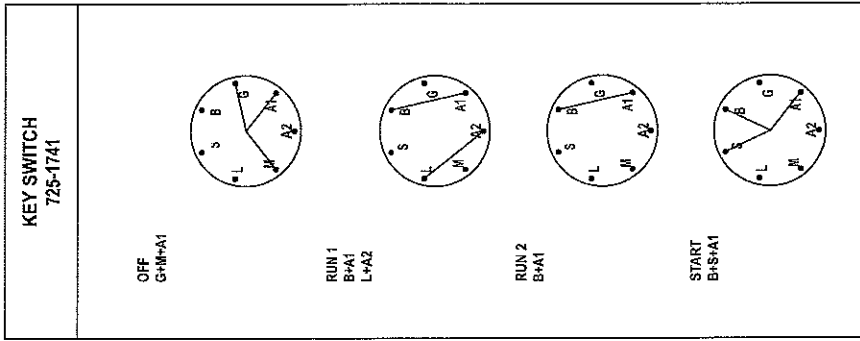
Ref. No.	Part No.	Description	Ref. No.	Part No.	Description
1	17962	Switch Plate	33	747-1286A	Rod: Belt Keeper
2	647-0064	Lever Assembly: PTO Engage	34	748-0415B	Spacer
3	683-0450	Plate Assembly: PTO Engage	35	750-0956	Spacer
4	710-0224	AB Screw #10-16 x 0.5	36	756-0627B	Idler Pulley
5	710-0276	Carriage Screw: Special	37	756-0982B	Engine Pulley
6	710-0520	Hex Bolt 3/8-16 x 1.5	38	756-1208	Idler Pulley
7	710-0726	AB Screw 5/16-12 0 75	39	783-04467	Bracket: Deck Stop
8	710-0831	Hex Bolt 3/8-16 x 5 5	40	783-0744A	Bracket: Stop
9	710-3029	Hex Bolt 7/16-20 x 1 25	41	738-0227	Flat Washer
10	711-1044	Belt Guard Pin	42	736-3010	Flat Washer
11	712-0130	Lock Nut	43	683-0302	Engagement Plate Assembly
12	712-0229	Push Nut	44	732-0944	Extension Spring
13	712-3004A	Flange Lock Nut	45	736-0275	Flat Washer
14	712-3010	Hex Nut 5/16-18	46	710-0347	Hex Bolt 3/8-16 x 1.75
15	714-0104	Cotter Pin	47	712-0429	Hex Lock Nut 5/16-18
16	714-0470	Cotter Pin	48	754-0497	V Belt
17	726-0201	Speed Nut	49	754-0349	V Belt
18	731-2111A	PTO Knob	50	732-04035	Compression Spring
19	732-0991A	Belt Guard	51	736-0222	Lock Washer
20	732-1013	Belt Guard	52	725-1426	Solenoid
21	732-1170	Extension Spring	53	710-0599	TT Screw 1/4-20 x 0 5
22	736-0108	Flat Washer	54	783-04329	Seat Bracket
23	736-0119	Lock Washer	55	710-0726	AB Screw 5/16-12
24	736-0140	Flat Washer	56	710-3005	Hex Bolt 3/8-16 x 1.25
25	736-0171	Lock Washer	57	738-04058	Shoulder Spacer
26	736-0242	Bell Washer	58	712-0324	Lock Nut 1/4-20
27	736-0300	Flat Washer	59	710-0642	TT Screw 1/4-20 x 0 75
28	736-0322	Flat Washer	60	747-04121A	Battery Hold-Down Rod
29	736-3039	Flat Washer	61	710-0703	Carriage Screw
30	736-0372B	Spacer	62	725-1706A	Battery
31	741-0708	Hex Split Flange Bearing	63	783-0349	Battery Tray
32	747-1112D	Handle: Deck Engage	64	738-0143	Shoulder Screw 3/8-16

Models 604G & 604H



REF. NO.	PART NO.	DESCRIPTION
1	710-0227	Self-tapping Screw, #8-18 x .5
2	710-0599	Self-tapping Screw, 1/4-20 x .5
3	710-0604A	Self-tapping Screw, 5/16-18 x .625
4	710-1237	Screw, #10-32 x .625
5	710-1314A	Socket Cap Screw, 5/16-18 x .625
6	710-1315	Self-tapping Screw, 3/8-16 x 1.25
7	712-3017	Hex Nut, 3/8-16
8	721-0460	Exhaust Gasket
9	726-0205	Hose Clamp
10	725-0157	Cable Tie (not shown)
11	736-0300	Flat Washer
12	751B221535	Casing Clamp
13	751-0535	Fuel Line Hose
14	751-0564	Muffler Deflector
15	751-0616	Muffler, Twin Inlet
16	751-0650	RH Exhaust Pipe
17	751-0651	LH Exhaust Pipe
18	751-3140	Oil Drain Valve
19	751-3141	Oil Drain Hose
20	751-3142	Oil Drain Cap
21	783-0615B	Muffler Heat Shield
22	783-0625C	Engine Heat Shield
23	712-0271	Sems Nut 1/4-20
24	746-1086	Throttle Cable

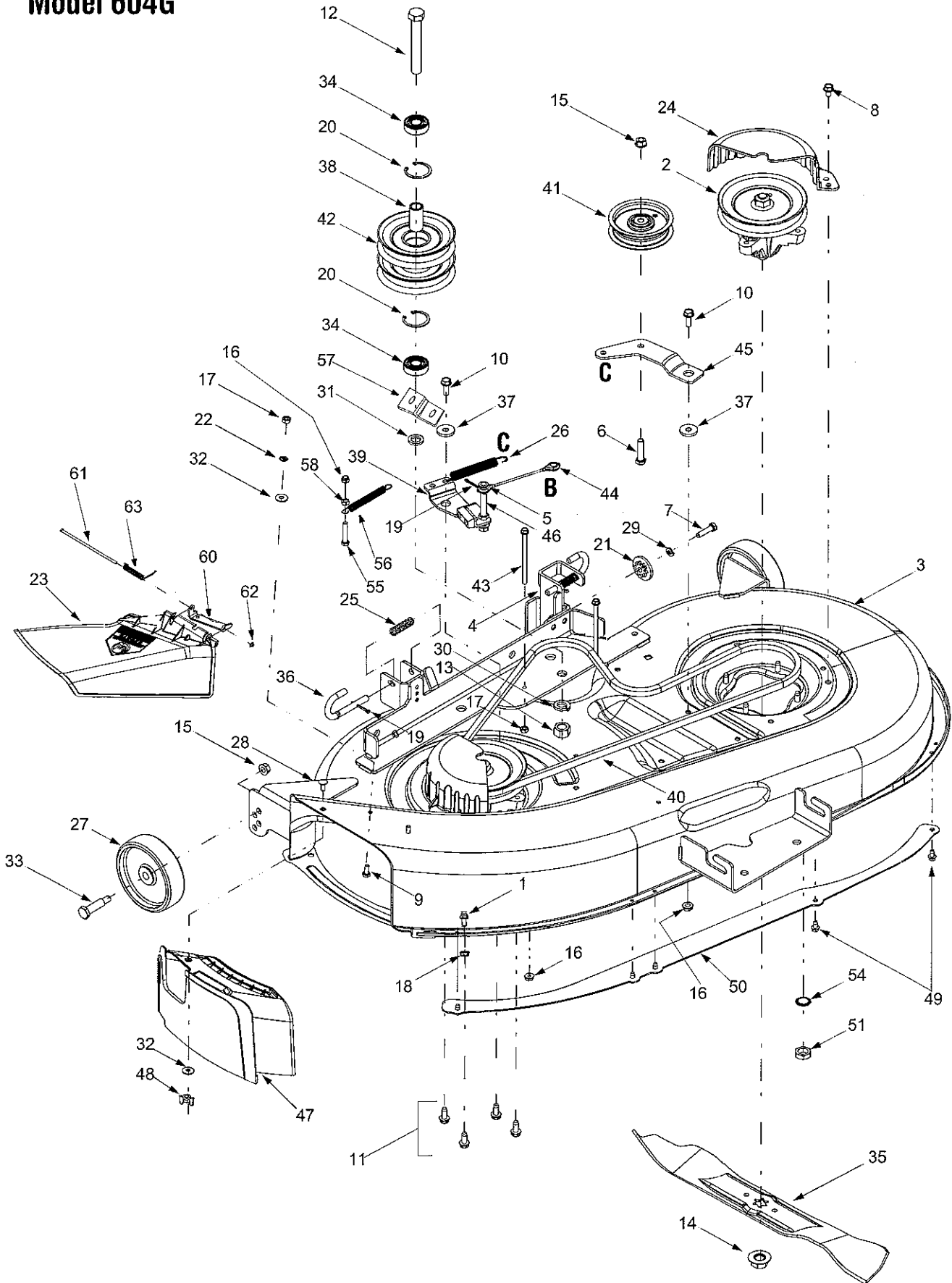
Models 604G & 604H



Conditions as shown:

ITEM	DESCRIPTION
1	KEY SWITCH OFF
2	PTO OFF
3	TRACTOR UNOCCUPIED
4	BRAKE SWITCH OFF

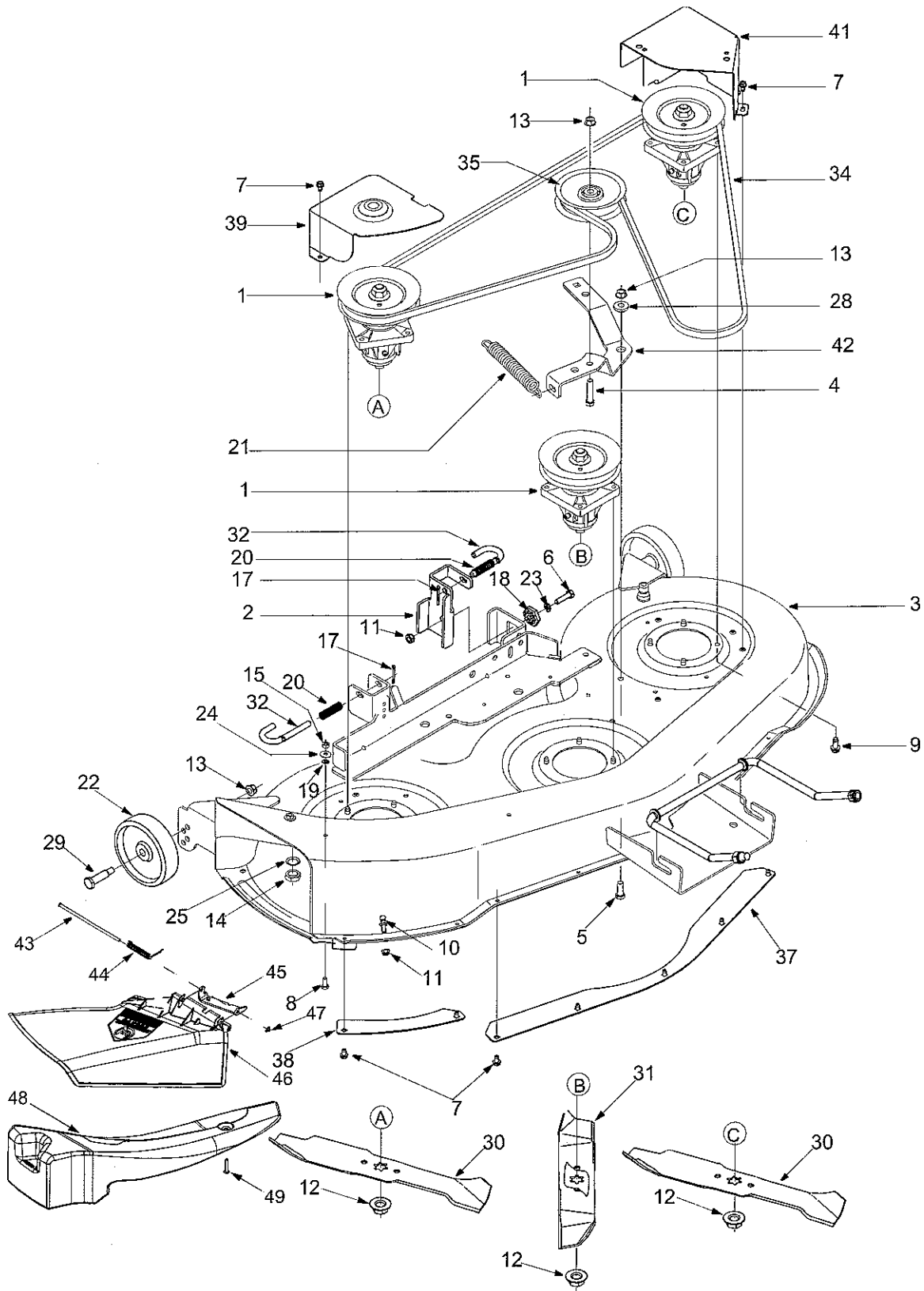
Model 604G



Model 604G

Ref. No.	Part No.	Description	Ref. No.	Part No.	Description
1	711-04069	Grass Catcher Pin, 1/4-20	32	736-0270	Bell Washer, 265 x 75 x .062
2	618-0565	Spindle Assy , 5.75 Dia w/ Fitting	33	738-0373	Shoulder Screw, 498 x 1.53
3	683-0198G	42-inch Deck Shell	34	741-0524	Bearing, 625 x 1 574 x 470
4	683-0254	Deck Adj. Bracket w/ Weld Nut	35	742-0616A	Blade, Star Center, 21 23"
5	736-0140	Flat Washer, 385 x 62 x .063	36	747-1116	Deck Release Pin
6	710-0520	Hex Cap Screw, 1/4-20 x 1.5	37	748-0331	Shoulder Spacer, 625 x 324
7	710-0528	Hex Cap Screw, 5/16-18 x 1.25	38	750-0932A	Spacer, 635 x 88 x 1.72
8	710-0726	Self-tapping Screw, 5/16-12 x .75	39	683-0440	Deck Brake Assembly
9	710-0751	Hex Cap Screw, 1/4-20 x .62	40	754-0498	Deck Belt
10	710-1238	Hex Hd Washer Scr , 5/16-18 x .875	41	756-0627B	Idler Pulley, 3 5
11	710-0650	Self-tapping Screw, 5/16-18 x .875	42	756-1202	Double Pulley, 5 0
12	710-3151	Hex Cap Screw, 5/8-18 x .875	43	710-1830	Self-tapping Screw, 1/4-20 x 4 0
13	712-0337	Hex Nut, 5/8-18	44	746-0970	Brake Cable, 5 05
14	712-0417A	Hex Flange Nut, 5/8-18	45	783-1291	Idler Bracket
15	712-0431	Flange Lock Nut, 3/8-16	46	711-1534	Pin, 3/8-16, 3/8 x 3.27
16	712-0429	Flange Lock Nut, 5/16-18	47	731-2363	Mulch Plug
17	712-3006	Hex Nut, 1/4-20	48	712-3087	Wing Nut
18	712-0324	Hex Lock Nut, 3/8-16	49	710-0599	Self-Tapping Screw, 1/4-20 x .5
19	714-0470	Cotter Pin, 1/8 x 1.25	50	783-1146A	Deck Skirt
20	716-3020	Internal Snap Ring	51	712-0641	Hex Nut, M-16 x 1.5
21	717-04074	Deck Adjustment Gear	54	736-0760	Lock Washer
22	726-0233	Push Nut .25 x .5	55	710-3180	Hex Bolt, 5/16-18 x 1.75
23	731-1031C	Side Discharge Chute Assembly	56	732-1165	Extension Spring
24	731-2486A	Belt Cover	57	783-04013A	Stab. Bracket: Pulley
25	732-0306A	Comp. Spring, .406 x .531 x 1.75	58	712-3010	Hex Nut
26	732-0470A	Extension Spring, .50 x 4.74	59	783-1025	Chute Stop (not shown)
27	734-0973	Deck Wheel, 5 x 1.38	60	703-1693A	Mount. Bracket
28	710-0134	Carriage Screw, 1/4-20 x .5	61	711-0792	Hinge Pin
29	736-0119	Lock Washer, 5/16	62	726-0106	Speed Nut
30	736-0158	Lock Washer, 5/8	63	732-0602A	Torsion Spring
31	736-0162	Flat Washer, 64 x 1 0 x .12			

Model 604H



Model 604H

Ref. No.	Part No.	Description	Ref. No.	Part No.	Description
1	618-04137	Pulley-Spindle Assembly	25	736-0760	Lock Washer
2	683-0254	Deck Hanger Bracket Assembly	27	737-3007	Grease
3	683-04103	Deck Assembly	28	738-0372B	Shoulder Spacer
4	710-0347	Hex Bolt 3/8-16 x 1.75	29	738-0373	Shoulder Screw 3/8-16 x 1.5
5	710-0514	Hex Bolt 3/8-16 x 1.0	30	742-0611A	Blade 16 28 Lg : Three-in-One
6	710-0528	Hex Bolt 5/16-18 x 1.25	31	742-0612A	Blade 14 88 Lg : Three-in-One
7	710-0599	TT Screw 1/4-20 x 0.5	32	747-1116	Deck Release Handle
8	710-0751	Hex Bolt 1/4-20 x 0.620	34	754-04033	V Belt
9	710-1260A	LD Screw 5/16-18 x 0.75	35	756-1229	Idler Pulley
10	711-04069	Grasscatcher Pin	36	771-11725A	Danger Tag (not shown)
11	712-0324	Lock Nut 1/4-20	37	783-0141	Deck Skirt: Center
12	712-0417A	Flange Nut	38	783-0142	Deck Skirt RH
13	712-0431	Flanged Lock Nut 3/8-16	39	783-0805C	Belt Cover
14	712-0641	Hex Nut M16	40	783-1025	Chute Stop (not shown)
15	712-3006	Hex Nut	41	783-1348A	Belt Cover
16	712-3083	Hex Lock Nut 1/2-13	42	783-1421	Idler Bracket
17	714-0111	Cotter Pin	43	711-0792	Hinge Pin
18	717-04074	Gear: Deck Adjustment	44	732-0602A	Compression Spring
19	726-0233	Push Nut	45	703-1693A	Mounting Bracket
20	732-0306A	Compression Spring	46	731-1031C	Deflector: Discharge Chute
21	732-0594A	Extension Spring	47	726-0106	Speed Nut
22	734-0973	Deck Wheel	48	731-1636	Mulch Plug
23	736-0119	Lock Washer	49	710-0578	Screw 1/4-20 x 1.5
24	736-0270	Bell Washer			