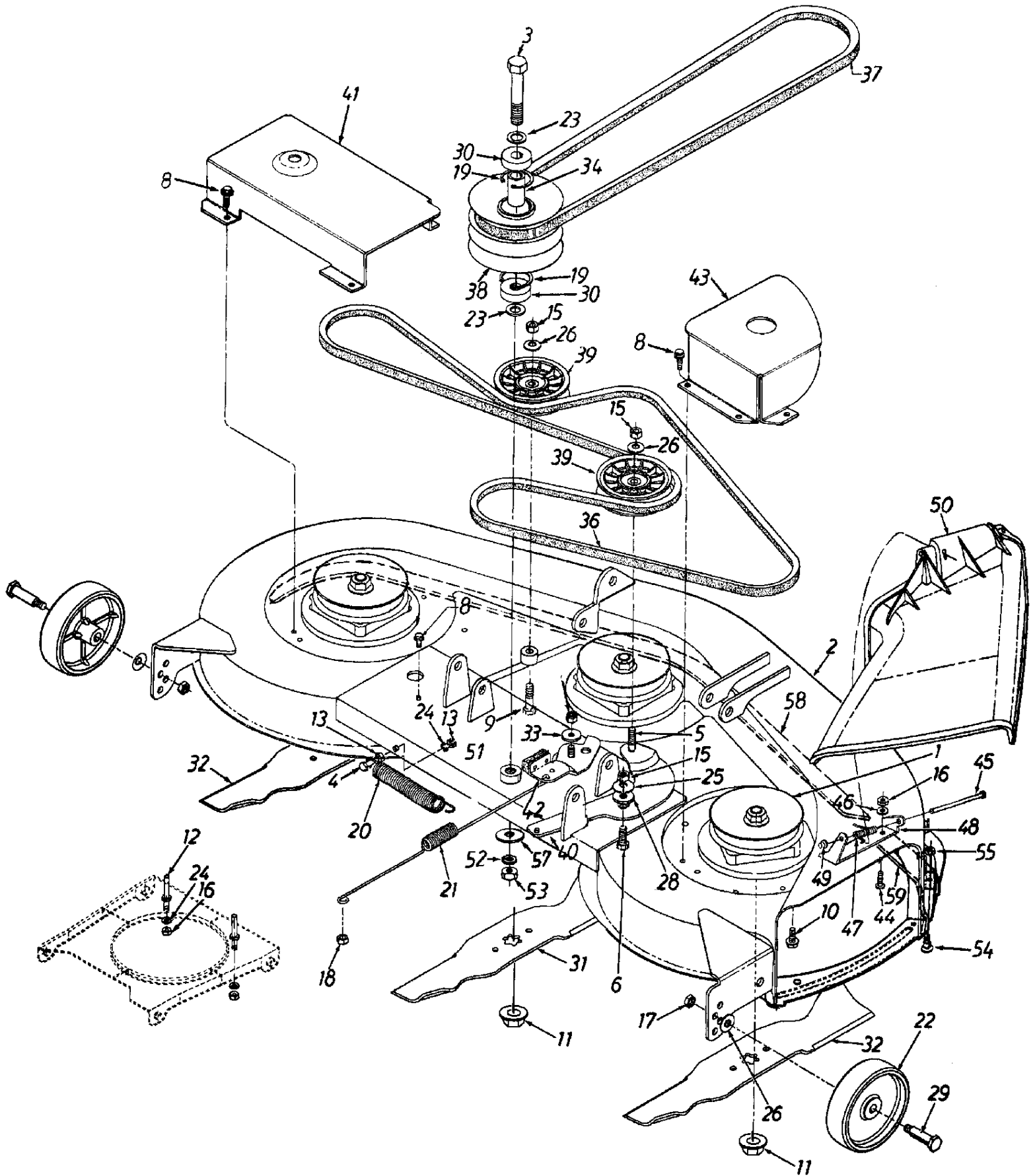


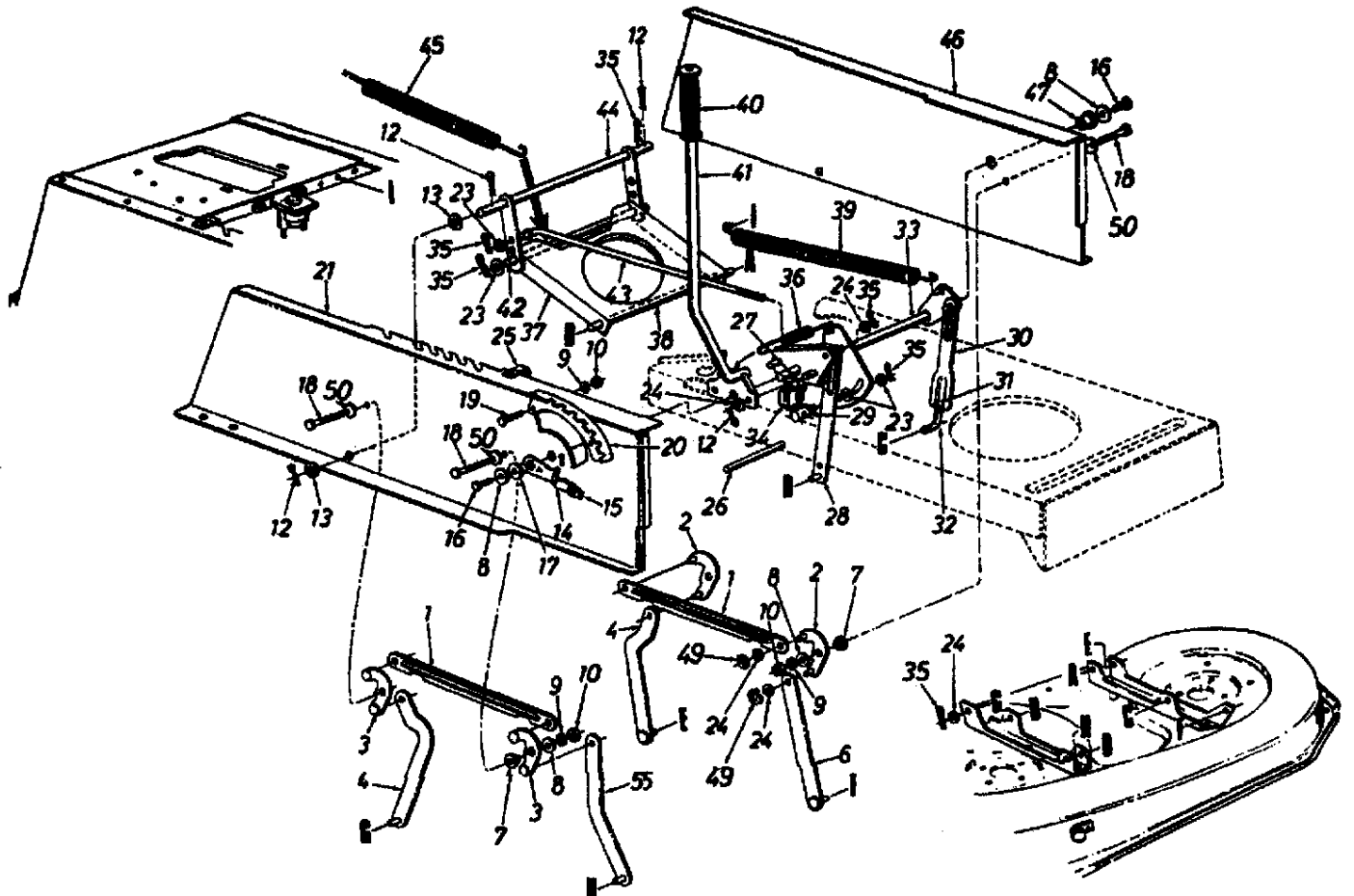
Ref #	Part Number	Qty	S/P/F	Description
1	731-0220	1	S	Steering Wheel Cap
	731-1459A	1	/P	Steering Wheel Cap (Sq. MTD)
	731-1460	1	/P	Steering Wheel Cap (Square-No Logo)
2	710-0643	1	/P	Hex Bolt 5/16-18 x 1" Lg.
3	736-0242	1	/P	Belleville Wash..345" I.D.
4	731-1693	1	S/F	Steering Wheel (3 Spoke)
	731-1687	1	S/F	Steering Wheel (3 Spoke)
	631-0027	1	S	Steering Wheel (4 Spoke)
5	731-0559A	1	S	Steering Bellow-4.5" (Style A)
	731-0954	1	S	Steering Bellow-9" (Style 0, 1,3, 4, 5, 6,8,9)
	731-1542	1		Steering Bellow-3.25" (Style 7)
?6	712-0240	1	S	Hex Jam Nut 7/16-20 Thd.
7	741-0587	1		Flange Bearing .628" I.D. x 1.36 O.D. (Style A)
?8	723-0448	1	S	Ball Joint 7/16-20 Thd.
9	17198A	1	/P	Retainer Plate
10	738-0141	1	S	Shoulder Bolt .437" Dia. x .35 Lg. 5/16-18 Thd.
11	710-0152	1	S	Hex Bolt 3/8-24 x 1.0" Lg. (Gr. 5)
13	750-0535	1	S	Spacer .380" I.D. x .625" O.D. x .227
14	736-0217	1	S	L-Wash. 3/8" I.D. (H.D.)
15	710-0726	1	/P	Hex Wash. Hd. Self-Tap Scr.
16	711-1107	1	S	Steering Drag Link New Part
17	783-0041A	1	S	Front Pivot Brkt.
18	738-0527	1	S	Shoulder Bolt .498" Dia. x 2.04 Lg. 3/8-16 Thd.
19	712-0431	1	S	Flanged L- Nut 3/8-16 Thd.
21	712-0411	1	S	Hex L-Nut 5/16-24 Thd.
22	16481A	1	S	Steering Arm Front Axle
23	710-0772	1	/P	Hex Bolt 5/16-24 x 2.00" Lg. (Gr.5)
24	741-0659	1	S	Hex Fig. Brg..632 I.D.
25	683-0128	1	S	Pivot Bar Ass'y.
26	683-0127	1	S	Front Axle Ass'y-L.H. 15 x 6 Round and Square Shoulder
	638-0125	1		Front Axle Ass'y-L.H. (46" Deck) 15 x 6 Round and Square Shoulder
27	712-0241	1	/P	Hex Nut 3/8-24 Thd.
28	736-0169	1	S	L-Wash. 3/8" I.D.
29	723-3018	1	S	Ball Joint 3/8-24 Thd.
30	747-0753	1		Tie Rod (Adjustable)
	747-0861	1	S	Tie Rod (Non-Adjustable)
31	712-0711	1	/P	Hex Jam Nut 3/8-24 Thd.
32	683-0126	1	S	Front Axle Ass'y.-R.H. 15 x 6 Round and Square Shoulder
	683-0124	1	S	Front Axle Ass'y.- R.H. (46" Deck) 15 x 6 Round and Square Shoulder
33	634-0056	1	S	Wheel Ass'y. Comp. 15 x 6 Square Shoulder
	634-0105	1	S	Wheel Ass'y. Comp. 15 x 6 Round Shoulder
	734-0255	1	S	Air Valve 15 x 6 Round and Square Shoulder
	734-0864	1	/P	Tire Only 15 x 6 Round and Square Shoulder
34	634-0024	1	S	Front Wheel Rim Only 15 x 6 Round and Square Shoulder
35	741-0487A	1	S	Bearing 15 x 6 Round and Square Shoulder
36	736-0285	1	/P	FI-Wash..635 I.D. x 1.59" O.D.

Ref #	Part Number	Qty	S/P/F	Description
37	731-0484A	1	S	Front Wheel Hub Cap
	731-1787A	1		Spoked Hub Cap (Yellow) (Opt.) New Part
	731-1613A	1	/P	Spoked Hub Cap (Gray) (Opt.) New Part
	734-1612A	1		Spoked Hub Cap (Beige) (Opt.) New Part
38	714-0470	1	S	Cotter Pin 1/8" Dia. x 1.25"
39	736-0531	1	S	FI-Wash..640" I.D. x 1.24" O.D.
40	726-0214	1	/P	Push Cap 5/8" Dia. Rod
42	712-0262	1	/P	Hex Jam Nut 3/8-24 Thd.
43	710-1309	1	/P	Hex Patch Bolt 5/16-18 x .62"
44		1		UNKNOWN
46	748-0389	1	S	Cap
47	712-0214	1	S	Hex Cent. L-Nut 3/8-24 Thd.
48	736-0169	1	S	L-Wash. 3/8" I.D.
49	712-0158	1	S	Hex Cent. L-Nut 5/16-18 Thd.
50	736-0119	1	S	L-Wash. 5/16" I.D.
51	717-0622A	1	S	Steering Gear Segment
52	741-0656	1	S	Hex Fig. Brg..634 I.D. New Part
53	736-0187	1	/P	FI-Wash. (Hardened)
54	738-0919	1	S	Steering Shaft New Part
57	710-0837	1		Oval Hd. Cr.-Sunk Scr.#10 x 5/8" Lg. (Style A)
58	736-0271	1	S	Wave-Wash..32" I.D. x .62" O.D.
59	736-0187	1	/P	FI-Wash. (Hardened)
60	723-0448	1	S	Drag Link Ball Joint 7/16-20 Thd.
61		1		UNKNOWN
63	727-0425A	1	S	Spring Clip (Used w/Spiked Hub Cap)
64	736-0356	1	S	Bell-Wash..39" I.D. x 1.38" O.D.
65	731-1291A	1	S	Pivot Bar End Cap (Optional) New Part
66	710-0459	1	S	Hex Bolt 3/8-24 x 1.5" Lg. (Gr. 5)
69	731-1649	1		Axle Cap
70	731-0955	1	S	Steering Wheel Insert (Optional)

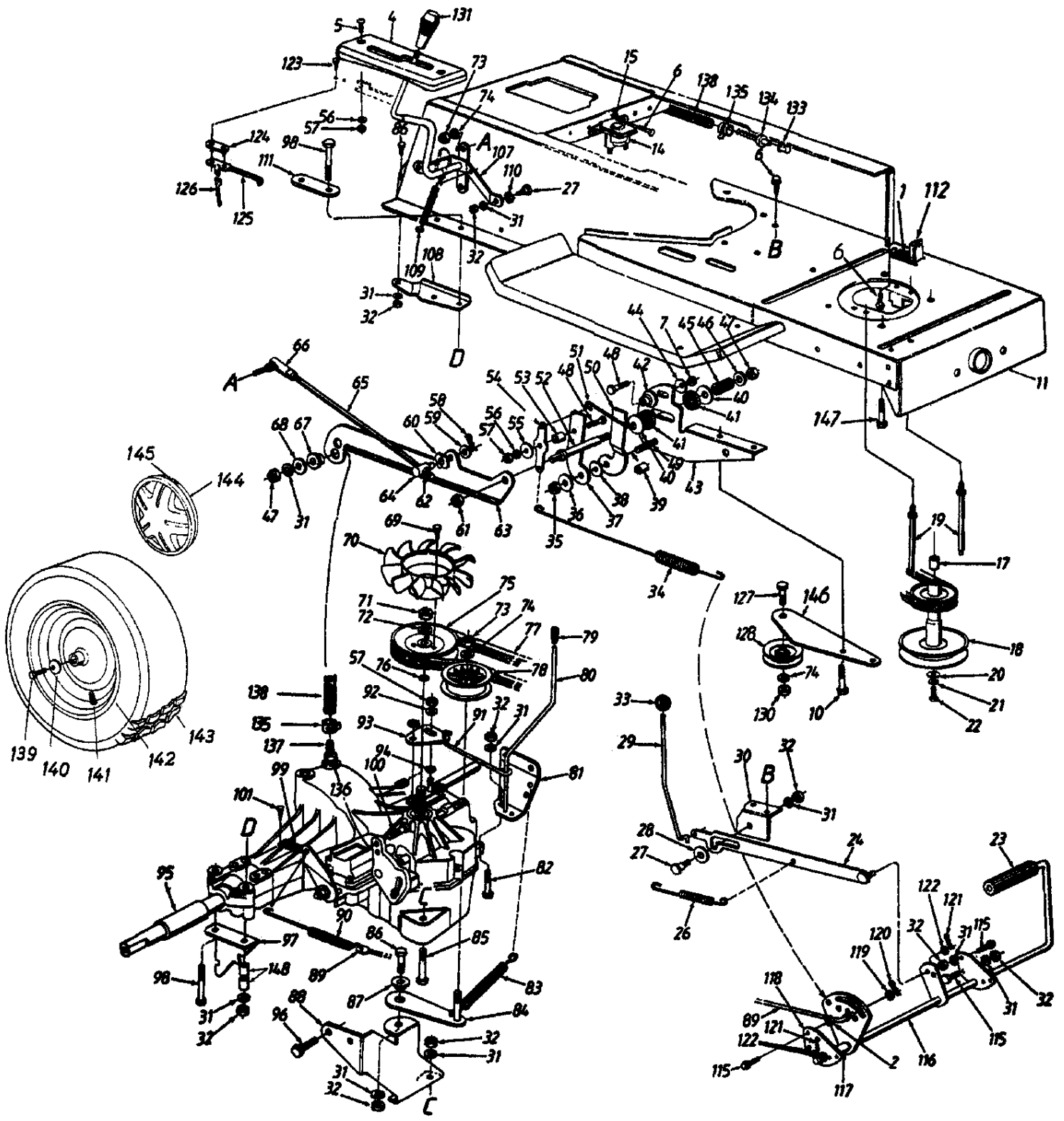


Ref #	Part Number	Qty	S/P/F	Description
1	618-0240	1	S	Blade Spindle Ass'y. New Part
2	983-0130	1	S/F	46" Deck Ass'y. New Part
	13-0699H062 (1997)	1		Page 5 of 24
	913-0692	1	/P/F	46" Deck Ass'y. Comp. (For Service)
	Deck Assembly 46"/Blades			
3	710-3151	1	/P	Hex Bolt 5/8-18 x 4.25" Lg.
4	710-0428	1		Hex Bolt 1/4-28 x 1.25" Lg.
5	710-0459	1	S	Hex Bolt 3/8-24 x 1.5" Lg.
6	710-1039	1	/P	Hex Bolt 3/8-24 x 1" Lg.
8	710-0599	1	/P	Hex Wash. Hd. TT-Tap Scr. 1/4-20 x .5" Lg.
9	710-0151	1	/P	Hex Bolt 3/8-24 x 2" Lg.
10	710-1260	1	S	Hex Flange Bolt 5/16-24 x .75" Lg.
11	712-0417A	1	/P	Hex Flange L-Nut 5/8-18 Thd.
12	711-0993	1	S	Belt Guard Pin
13	712-0138	1	S	Hex Nut 1/4-28 Thd.
?14	712-0429	1	S	Hex Ins. L-Nut 5/16-18 Thd.
15	712-0241	1	/P	Hex Nut 3/8-24 Thd.
16	712-3006	1	/P	Hex Nut 1/4-20 Thd. (Gr. 5)
17	712-0181	1	S	Hex Top Jam Nut 3/8-16 Thd.
18	712-0158	1	S	Hex Center L-Nut 5/16-18 Thd.
19	716-3020	1	S	Int. Snap Ring
20	732-0594A	1	S	Ext. Spring .88" O.D. x 6.17"
21	732-0723	1		Ext. Spring .788" O.D. x 15.5"
22	734-0973	1	/P	Deck Wheel
23	736-0290	1	/P	FI-Wash..635" I.D. x 1" O.D. x .06"
24	736-0329	1	S/F	L-Wash. 1/4" I.D.
25	736-0331	1	/P	Bell-Wash. 3/8" x 1.125" x .062"
26	736-0105	1	/P	Bell-Wash. 3/8" x .87" x .064"
28	7380347	1		Shoulder Spacer. 625" I.D. x .169"
29	7380373	1		Shld. Bolt. 498" x 1.525"
30	741-0524	1	S	Ball Brg..625" I.D x 1.574" O.D. x .47"
31	742-0645	1	S	Blade 14.88" Lg. New Part
32	742-0644	1	S	Blade 16.28" Lg. New Part
33	748-0234	1	/P	Shoulder Spacer
34	750-0932A	1	S	Spacer .635" I.D. x .088" O.D.
36	754-0440	1	S	V-Belt
?37	754-0439	1	S	V-Belt
38	756-0638	1		Pulley Double Deck 5" O.D.
39	756-0627	1	S	Flat Idler Pulley 3.50.D.
40	783-0046	1	S	Idler Deck Bracket
41	783-0063A	1	/P	Belt Cover L.H.
42	17116	1	S	Deck Brake Brkt. Ass'y.
43	17258A	1	S	Belt Cover Brkt. R.H.
44	710-0258	1	S	Hex Bolt 1/4-20 x .62" Lg.
45	711-0792	1	S	Hinge Pin
46	736-0270	1	/P	Bell-Wash. 1/4" I.D.
47	732-0602	1	S	Torsion Spring
48	703-1693	1	S	Hinge Mtg. Brkt.
49	726-0106	1	S	Push Nut
50	731-1032	1	S	Chute Ass'y. Comp. (Incl. Ref. 45, 47,48, 49, 50)
51	750-0960	1	S	Spacer .635" I.D. x 1" O.D.
52	736-0158	1	S	L-Wash. 5/8" I.D.
53	712-0337	1		Hex Nut 5/8-18 Thd.
54	710-0167	1	/P	Carriage Bolt 1/4-20 x .5" Lg.
55	712-0271	1	/P	Hex Sems Nut 1/4-20 Thd.
57	736-3088	1		FI-Wash..635" I.D.

Ref #	Part Number	Qty	S/P/F	Description
58	783-0141	1		Center Deck Skid
59	783-0142	1		R.H. Deck Skid
	13AS699H062 (1997)			Deck Assembly 46"/Blades



Ref #	Part Number	Qty	S/P/F	Description
1	783-0103	1	S	Connecting Rod
2	6830028A	1		Pivot Link Ass'y.-L.H.
3	6830028A	1		Pivot Link Ass'y.-R.H.
4	17710	1	S	Deck Hanger Link Ass'y.
?5	14800A	1	S	Deck Hanger Link Ass'y.
6	14804A	1		Deck Hanger Link Ass'y.
7	748-0331	1	S	Shld. Spacer .318" I.D.
8	736-0264	1	S	FI-Wash..344" I.D. x .62" O.D.
9	736-0119	1	S/F	L-Wash. 5/16" I.D.
10	712-3010	1	S	Hex Nut 5/16-18 Thd. (Gr. 5)
12	714-0470	1	S	Cotter Pin 1/8" Dia.
13	736-0256	1	S	FI-Wash..635" I.D. x 1.0" O.D.
?14	683-0003	1	S	Height Adj. Stop Lever Ass'y. (Incl. Ref. 15)
15	08540	1	/P	Knob Optional Parts
16	710-0604	1	S	Hex Wash. TT-Tap Scr.5/16-18 x .75" Lg.
17	748-0176	1		Flange Brg..63" I.D. Optional Parts
18	710-1238	1	/P	Hex Wash. Hd. Scr. 5/16-18x .875" Lg.
19	710-0118	1	S	Hex Bolt 5/16-18 x .75" Lg.
20	17730	1	S	Index Brkt.
21	783-0042A	1	S	Upper Frame-R.H.
23	736-0267	1	S	FI-Wash..385" I.D. x .87" O.D.
24	736-0160	1	S	FI-Wash..531" I.D. x .93" O.D.
25	726-0272	1	/P	Clamp
26	738-0526	1		Running Board Rod
27	710-3007	1	/P	Hex Wash. Hd. Tap Scr.
28	14802A	1	S	Link Deck Lift Ass'y.
29	711-0723A	1	S	Adj. Ferrule 3/8-24 Thd.
30	17712	1	S	Adj. Deck Lift Link
31	712-3066	1	S	Hex Nut 1/2-20 Thd. (Gr. 5)
32	711-0841	1	S	Lift Link Adjuster
33	17637A	1	S	Lift Shaft Ass'y.
34	725-1657A	1	S	Safety Switch (Deck)
35	714-0145	1	S	Inter. Cotter Pin 3/8" Dia.
36	732-0637	1	S	Extension Spring
37	17636C	1	S	Stabilizer Bracket New Part
38	738-0670	1	S	Shaft 1/2" Dia. x 10.28" Lg.
39	732-0638	1		Extension Spring
40	720-0233	1	S	Grip (Lift Handle)
41	97675A	1	S	Deck Lift Handle Ass'y.
42	738-0669	1		Shaft 3/8" Dia. x 9.34" Lg.
43	747-0598	1		Disengagement Rod
44	97624	1	S	Stabilizer Shaft Ass'y.
45	732-0556	1	S	Extension Spring 7.58" Lg.
46	783-0043	1	/P	Upper Frame-L.H.
47	741-0313	1	S	Flange Brg..632" I.D.
?48	17128A	1	S	Spring Retainer Brkt.
49	716-0104	1	S	"E"-Ring
50	736-0425	1	S	Bell-Wash..325" I.D.
55		1		UNKNOWN

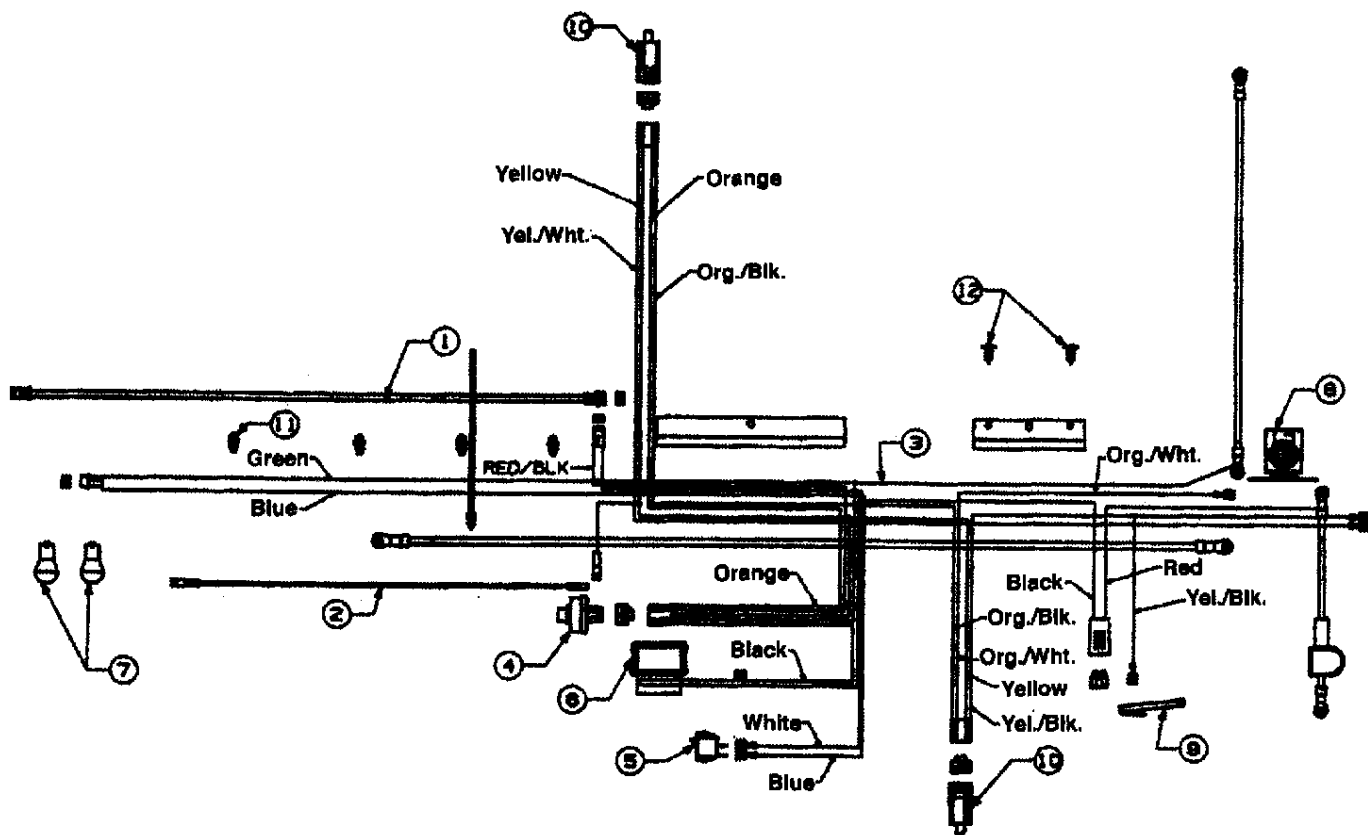


Ref #	Part Number	Qty	S/P/F	Description
1	732-0750A	1	S	Spring Switch New Part
2	712-0265	1	/P	Hex Sems Nut 5/16-18 Thd.
4	731-1774	1	S	Index Bracket New Part
5	710-0924	1	/P	Pan Hd. Mach. Scr. 1/4-20 x .75"
6	710-0599	1	/P	Hex Wash. Hd. TT-Tap Scr.
7	712-0138	1	S	Hex Nut 1/4-28 Thd.
78	736-0329	1	S/F	L-Wash. 1/4" I.D.
10	710-0195	1	S	Hex . Bolt 1/4-28 x .62" Lg.
11	783-0310C	1	S	Lower Frame Ass'y. New Part
14	725-1426	1	S	Solenoid
15	736-0222	1	S	Ext. L-Wash. 1/4" I.D.
17	750-0956	1		Spacer
18	756-0983	1	S	Engine Pulley
19	711-1044	1	S	Belt Guard Stud 4.75" Lg.
20	736-0322	1	/P	FI-Wash. 7/16" I.D. x 1.25" O.D.
21	736-0171	1	S/F	L-Wash. 7/16" I.D.
22	710-0757	1	/P	Hex Bolt 7/16-20 x 1.5" Lg.
23	735-0196	1	S	Foot Pad
24	683-0049	1	S	Brake Lockout Brkt. Ass'y.
26	732-0728	1		Foot Pedal Return Spring
27	738-0296	1	S	Shld. Bolt .437" Dia. x .268"
28	736-0406	1	S	FI-Wash. 7/16" I.D. x 1-3/8" O.D.
29	747-0608A	1	S	Lock-up Rod New Part
30	17755A	1		Bracket
31	736-0119	1	S/F	L-Wash. 5/16" I.D.
32	712-0267	1	S/F	Hex Nut 5/16-18 Thd.
33	720-0166	1	S	Ball Knob
34	732-0727	1	S	Neutral Return Spring
35	712-0273	1	S	Hex Nut 5/16-24 Thd.
36	736-3078	1	/P	FI-Wash. .344" I.D. x 1" O.D.
37	783-0092	1		Scissor-Flat
38	736-0362	1	/P	FI-Wash. .33" I.D. x 1.25" O.D.
39	750-0808	1	/P	Spacer
40	736-0219	1	S	Bell-Wash, .4" I.D. x 1.13" O.D.
41	761-0196	1	S	Friction Washer
42	750-0918	1		Centering Gauge Spacer
43	783-0095	1		Neutral Return Mtg. Brkt.
44	736-0270	1	/P	Bell-Wash. .265" I.D. x .75" O.D.
45	732-0718	1		Comp. Spring 1,19" Lg.
46	736-3092	1	/P	FI-Wash. .26" I.D. x .72" O.D.
47	712-0123	1	/P	Hex Nut 5/16-24 Thd.
48	710-0299	1		Hex Bolt 1/4-28 x 1" Lg. (Gr. 5)
49	710-1012	1	/P	Rib Neck Bolt 5/16-24 x .84" Lg.
50	783-0093	1		Scissor-Offset
51	747-0887	1		Neutral Return Rod
52	738-0879	1	S	Friction Disc Stud
53	748-0368	1		Shld. Spacer
54	783-0096	1		Neutral Return Lever
55	736-3092	1	/P	FI-Wash. .265" I.D. x 1" O.D.
56	736-0329	1	S/F	L-Wash. 1/4" I.D.
57	712-0287	1	S/F	Hex Nut 1/4-20 Thd.
58	714-0104	1	S	Hairpin Clip
59	736-0262	1	/P	FI-Wash. .375" I.D. x .87" O.D.
60	736-0413	1	/P	Spring Wash. .39" I.D.

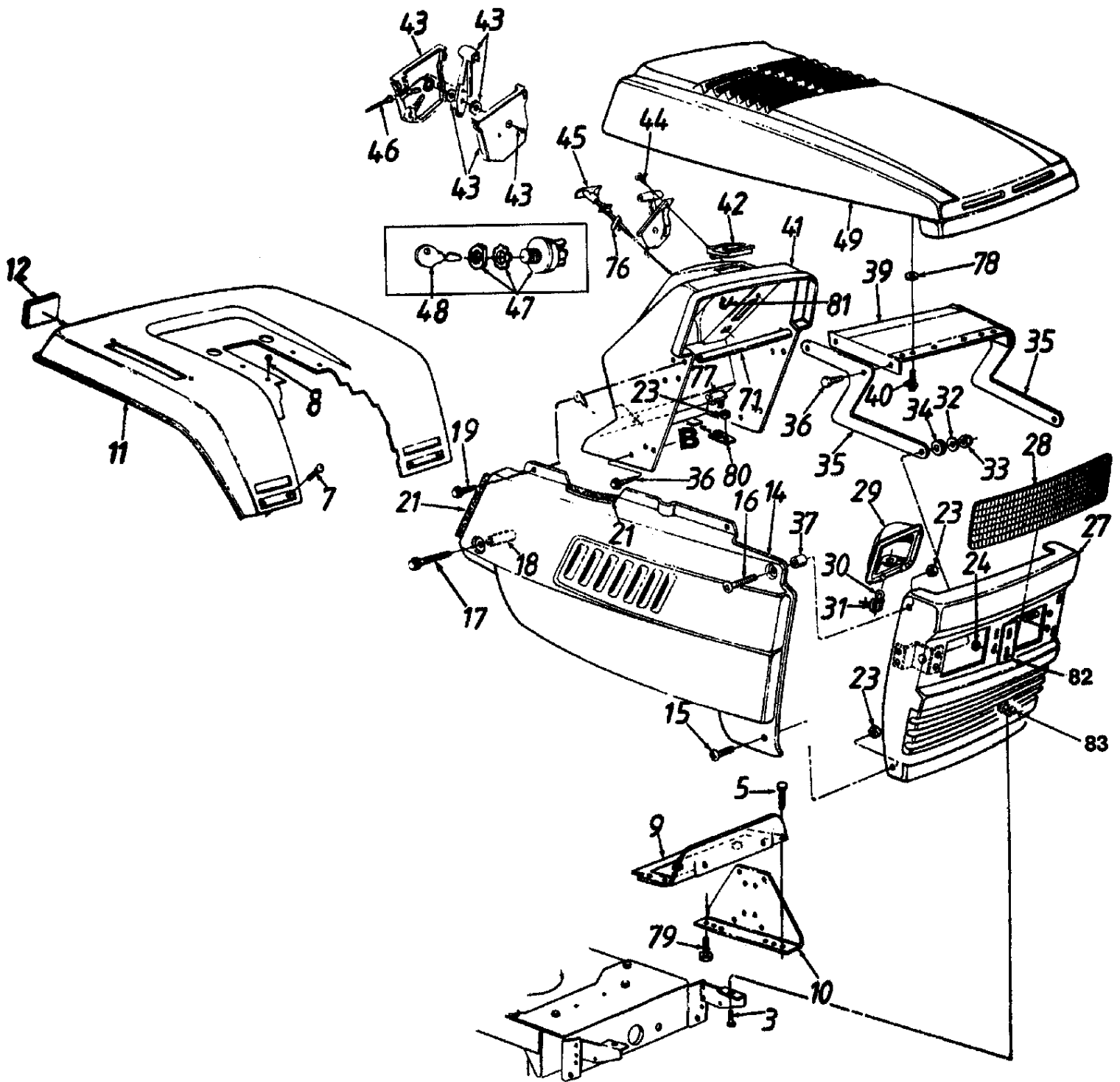
Ref #	Part Number	Qty	S/P/F	Description
61	712-0116	1	S	Hex L-Nut 3/8-24 Thd.
62	712-0711	1	/P	Hex Jam Nut 3/8-24 Thd.
63	783-0090A	1		Neutral Return Brkt.
64	711-0832	1	S	Ferrule 3/8-24 Thd.
65	747-0365	1	S	Control Rod
66	723-0351	1	S	Ball Joint 3/8-24 Thd.
67	748-0234	1	/P	Shld. Spacer .5" Dia. x .27" Lg.
68	736-0159	1	S	R-Wash. .349" I.D. x .879" O.D.
69	710-3007	1	/P	Hex Tap Scr. #12 x 3/8" Lg.
70	731-1449	1	S	Fan
71	712-0333	1	S	Hex Nut 1/2-20 Thd.
72	736-0921	1	S/F	L-Wash. 1/2" I.D.
73	712-0241	1	/P	Hex Nut 3/8-24 Thd.
74	736-0169	1	S	L-Wash. 3/8" I.D.
75	756-0975	1		Transmission Pulley
76	732-0729	1	/P	Wire Ring
77	754-0441	1	S	V-Belt
78	756-0981	1	S	FI-Idler Pulley 2.75" O.D.
79	720-0238	1		Rod End Grip
80	747-0894	1		Bypass Control Lever
81	783-0085	1	S	Transaxle Support Brkt.--L.H.
82	710-0528	1	/P	Hex Bolt 5/16-18 x 1.25" Lg.
83	732-0384	1	S	Ext. Spring 6.12
84	683-0051	1	S	Idler Brkt. Ass'y.
85	710-0116	1	/P/F	Hex Bolt 5/16-18 x 2.5" Lg.
86	710-0118	1	S/F	Hex Bolt 5/16-18 x .75" Lg.
87	748-0234	1	/P	Shld. Spacer .5" Dia. x .27" Lg.
88	783-0086A	1	S	Transaxle Support Brkt.--R.H.
89	747-0886	1		Brake Rod 24.94" Lg.
90	732-0716	1	S	Ext. Spring
91	747-0893	1		Bypass Actuator Rod
92	736-0142	1	S	FI-Wash. .281" I.D. x .5" O.D.
93	783-0098	1		Bypass Adjustment Brkt.
94	736-0222	1	S	External L-Wash. 1/4" I.D.
95	731-1086A	1	/P	Sleeve .758" I.D. x 1" O.D.
96	710-0604	1	S	Hex . TT-Tap Scr. 5/16-18 x .62"
97	17994	1	S	Retainer Brkt.-Transaxle
98	710-0176	1	/P	Hex Bolt 5/16-18 x 2.75" Lg.
	710-3195	1		Hex Bolt 5/16-18 x 4.5" Lg. (Used w/46" Deck)
99	732-0250	1	S	Tension Spring
100	710-0888	1	/P	Hex Bolt 5/16-24 x 1" Lg.
101	710-0224	1	S	Hex Wash. Hd. AB-Tap Scr.
107	647-0008A	1	/P	Speed Control Lever Ass'y.
108	17668	1	S	Axle Support Brkt.-R.H.
	17669	1	S	Axle Support Brkt.-L.H.
109	732-0433	1		Ext. Spring 2.75" Lg.
110	736-0141	1	S	Spr-Wash. .445" I.D. x .75" O.D.
111	17840	1	S	Transaxle Mtg. Brkt.
112	725-1657A	1	S	Safety Switch (Clutch)
115	710-0650	1	/P	Hex TT-Tap Scr. 5/16-18 x .75"
116	683-0123	1		Clutch/Brake Pedal Ass'y. New Part
117	750-0802	1		Spacer .63" I.D.
118	17860	1	S	Pedal Bracket
119	736-3008	1	S	FI-Wash. .344" I.D. x .75" O.D.

00000000

Ref #	Part Number	Qty	S/P/F	Description
120	714-0111	1	S	Cotter Pin 3/32" Dia.
121	714-0470	1	S	Cotter Pin 1/8" Dia.
122	736-0140	1	S	R-Wash. .385" I.D. x .62" O.D.
123	710-0227	1	/P	Hex AB-Tap Scr. #8 x .5" Lg.
124	726-0320	1	S	Insulator Nut Plate
125	725-1643	1		Reverse Safety Switch
126	725-1399	1		Extension Wire
127	710-0520	1	/P	Hex Bolt 3/8-16 x 1.5" Lg.
128	756-0116	1	S	Idler Pulley
?129	736-0280	1		FI-Wash. .39" I.D.
130	712-0798	1	/P	Hex Nut 3/8-16 Thd.
131	720-0218	1	/P	Shift Knob
133	731-1481	1		Vent Cap
134	731-1480	1	/P	Plastic Vent
135	726-0324	1	S	Clamp
136	721-0330	1		O-Ring
137	731-1485	1		Hose Fitting
138	751-0588-18	1		Fuel Line 18" Lg.
139	710-0627	1	/P	Hex Bolt 5/16-24 x .75" Lg.
140	736-0242	1	/P	Bell-Wash. .345" I.D. x .88" O.D.
?141	734-0255	1	S	Air Valve
142	634-0070	1	/P	Rim Only 20" x 8" (Round and Square Shoulder)
143	734-1675	1		Wheel Ass'y. Comp. (Round Shoulder)
	734-1696	1	S	Tire Only (Round Shoulder)
143	634-0104	1		Wheel Ass'y. Comp. (Square Shoulder)
	734-1730	1		Tire Only (Square Shoulder)
144	734-1615A	1	/P	Hub Cap (Gray) (Optional)
	734-1614A	1	S	Hub Cap (Beige) (Optional)
	734-1788A	1	S	Hub Cap (Yellow) (Optional)
145	727-0425A	1	S	Spring Clip
146	783-0099	1	S	Idler Bracket
147	710-1315	1	/P	Hex TT-Tap Scr. 3/8-16 x 1.25"
148	750-0258	1	/P	Spacer .32" I.D. x .75" O.D. (Used w/46" Deck)



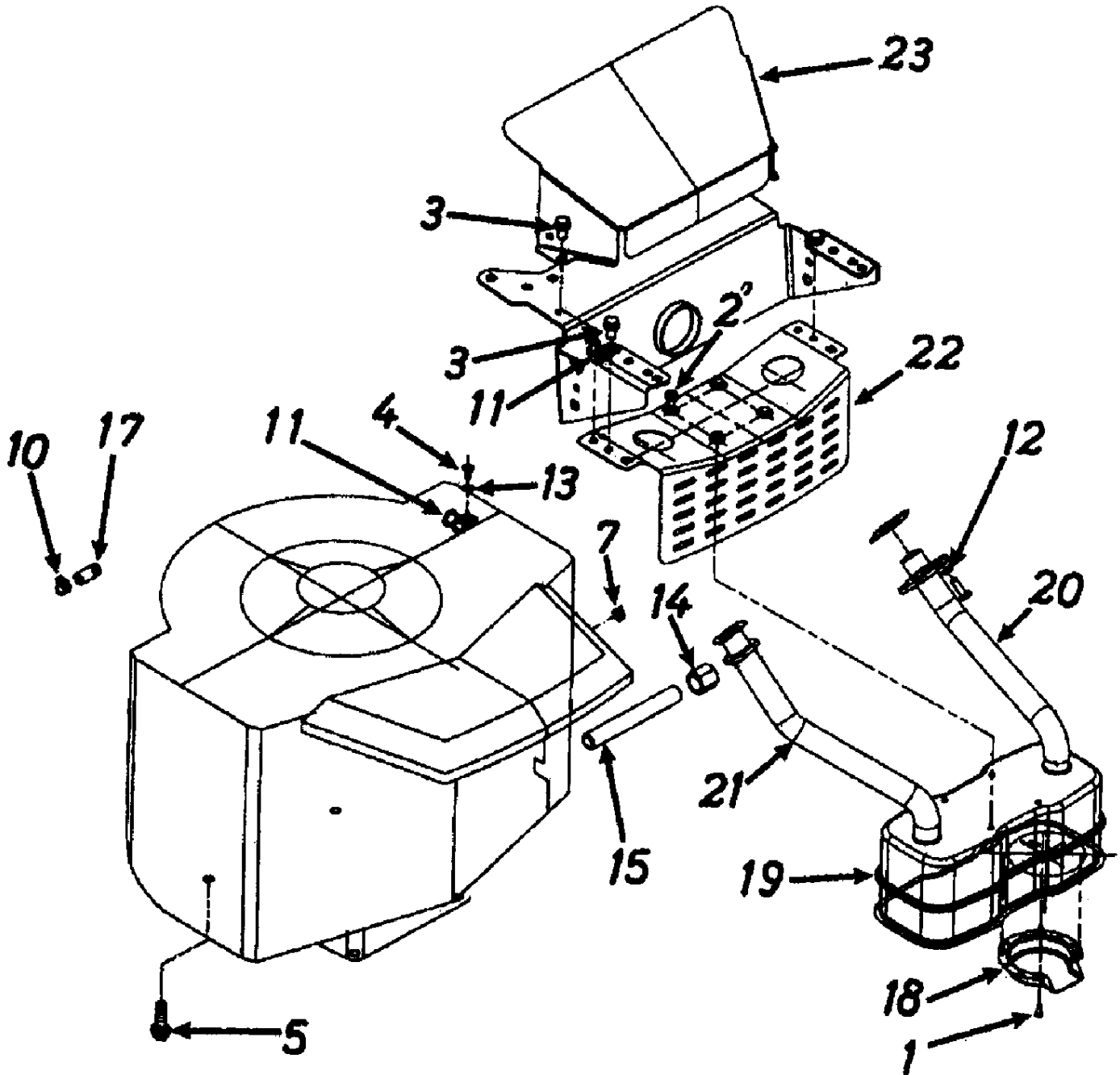
Ref #	Part Number	Qty	S/P/F	Description
1	629-0125	1	S	Harness Adapter (Alt.)
2	629-0388	1		Harness Adapter
3	629-0302A	1	S	Wire Harness w/Light Switch & Amp New Part
4	725-0267	1	S	Ignition Switch W/O Light Switch & Amp New Part
5	725-0634	1	S	Light Switch
6	725-0925	1	S	Ammeter
7	725-0963	1	S	Bulb
8	725-1426	1	S	Solenoid
9	725-1643	1		Safety Switch (Reverse)
10	725-1657A	1	S	Safety Switch
11	725-1711	1		Wire Retainer Clip
12	726-3046	1	/P	Ratchet



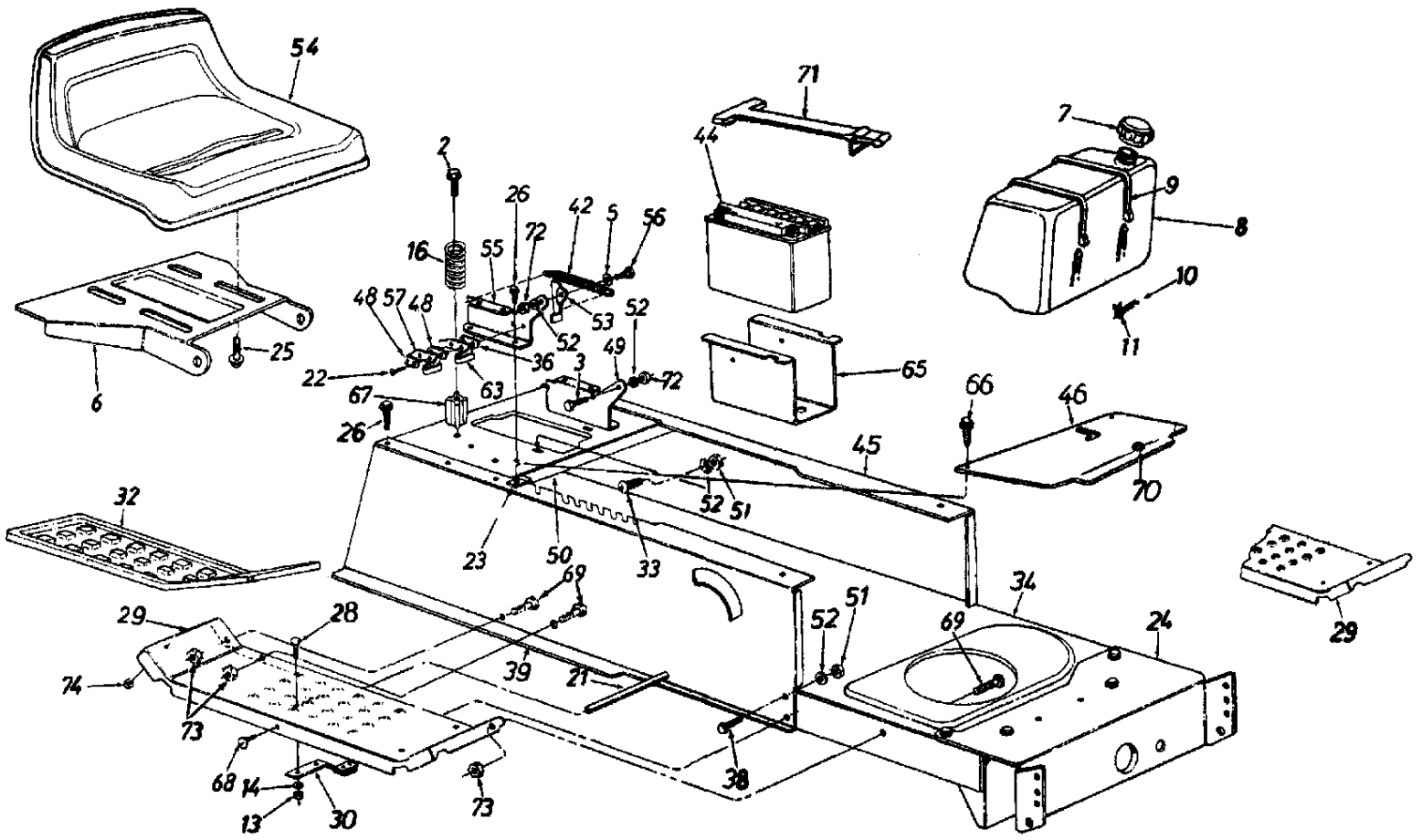
Ref #	Part Number	Qty	S/P/F	Description
3	710-0118	1	S	Hex Bolt 5/16-18 x .75" Lg.
5	710-0603	1	/P	Hex Wash. Hd. Scr. 5/16" x .5" Lg.
7	15A5899H062 (1997) Hood Style 9	1	/P	Truss Mach. Scr. 1/4-20 x .5" Lg.
8	710-0726	1	/P	Hex Wash. Hd. Tap Scr. 5/16 x .75" Lg.
9	17633A	1	S	Support Bracket
10	17300D	1		Dash Support Bracket
11	783-0350	1		Rear Fender
12	730-3000	1	S	Reflector (Optional)
14	16725	1	/P	Side Panel-R.H.
	17309B	1	/P	Side Panel-L.H. (Not Shown)
	17458A	1	S	Side Panel w/Foam-R.H.
	17459A	1	S	Side Panel Ass'y. w/Foam-L.H. (Not Shown)
15	710-0286	1	/P	Truss Mach. Scr. 1/4-20 x .5" Lg.
16	710-0166	1	S	Truss Mach. Scr. 1/4-20 x 1.0" Lg.
17	710-1026	1	/P	Hex Wash. TT-Tap Scr. 1/4-20 x 1.75" Lg.
18	750-0768	1		Spacer .26" I.D. x 1.32"
19	710-0642	1	/P	Hex Rolling Tap Scr. 1/4-20 x .75" Lg.
21	731-0511-18	1	/P	Trim Strip-18" Lg.
?22	736-0329	1	S	L-Wash. 1/4" I.D.
23	712-0271	1	/P	Hex Sems Nut 1/4-20 Thd.
24	726-0201	1		Speed Nut 5/16" Thd.
27	17410	1	S	Grille Ass'y.
28	731-1044	1	S	Headlight Lens
29	731-0705	1	S	Headlamp Housing
30	725-0963	1	S	Headlamp
31	725-1650	1	S	Twin Lock Lamp Socket
32	736-0242	1	/P	Bell-Wash..345" I.D. x .88"
33	712-0429	1	S	Hex L-Nut 5/16-18 Thd.
34	735-0126	1	S	Rubber Washer
35	783-0190	1		Hood Hinge
36	710-0599	1	/P	Hex Wash. Hd.B-Tap Scr.1/4-20 x .5"
37	750-0218	1	S	Spacer .262" I.D. x .31"
39	16903A	1	S	Hood Plate
40	710-1005	1	S	Hex Wash. Hd. Tap Scr.1/4-20 x .5" Lg.
41	731-1048B	1	S	Dash
42	725-0925	1	S	Ammeter
43	831-0823A	1	/P	Throttle Control Box Ass'y.
44	710-0919	1	/P	Mach. Scr. #10 x .44" Lg.
45	746-0616A	1	/P	Choke Control 23" Lg.
	746-0614A	1	/P	Choke Control 38" Lg.
	746-3021	1		Choke Control 29" Lg.
	746-0720	1		Choke Control 20" Lg.
46	746-0776	1	S	Throttle Control Wire 18.5" Lg.
	746-0634	1	/P	Throttle Control Wire 35" Lg.
	746-0638	1	/P	Throttle Control Wire 22" Lg.
47	725-0267	1	S	Ignition Switch
48	725-0201	1	S	Ignition Key
49	731-1491	1	S	Hood-Red
	731-1492	1	S	Hood-Midnight Blue
	731-1497	1	S	Hood-Oyster Gray
	731-1704	1	S	Hood-Evergreen
	731-1893	1	S	Hood-Black
71	749-0814	1		Grille Support Tube
?73	736-0607	1	/P	External L-Wash. 5/16" I.D.

Ref #	Part Number	Qty	S/P/F	Description
76	17782	1		Choke Retainer
77	725-0634	1	S	Light Switch
78	736-3010	1		FI-Wash..406" I.D. x .812" O.D.
79	710-0206	1	/P	Hex Bolt 1/4-20 x .88" Lg.
80	783-0013	1		Dash Fastening Tab
81	725-0157	1	/P	Cable Tie
82	777-8568A	1		Chrome Label
83	726-0211	1	S	U-Nut 5/16-18 Thd.

Hood Style 9

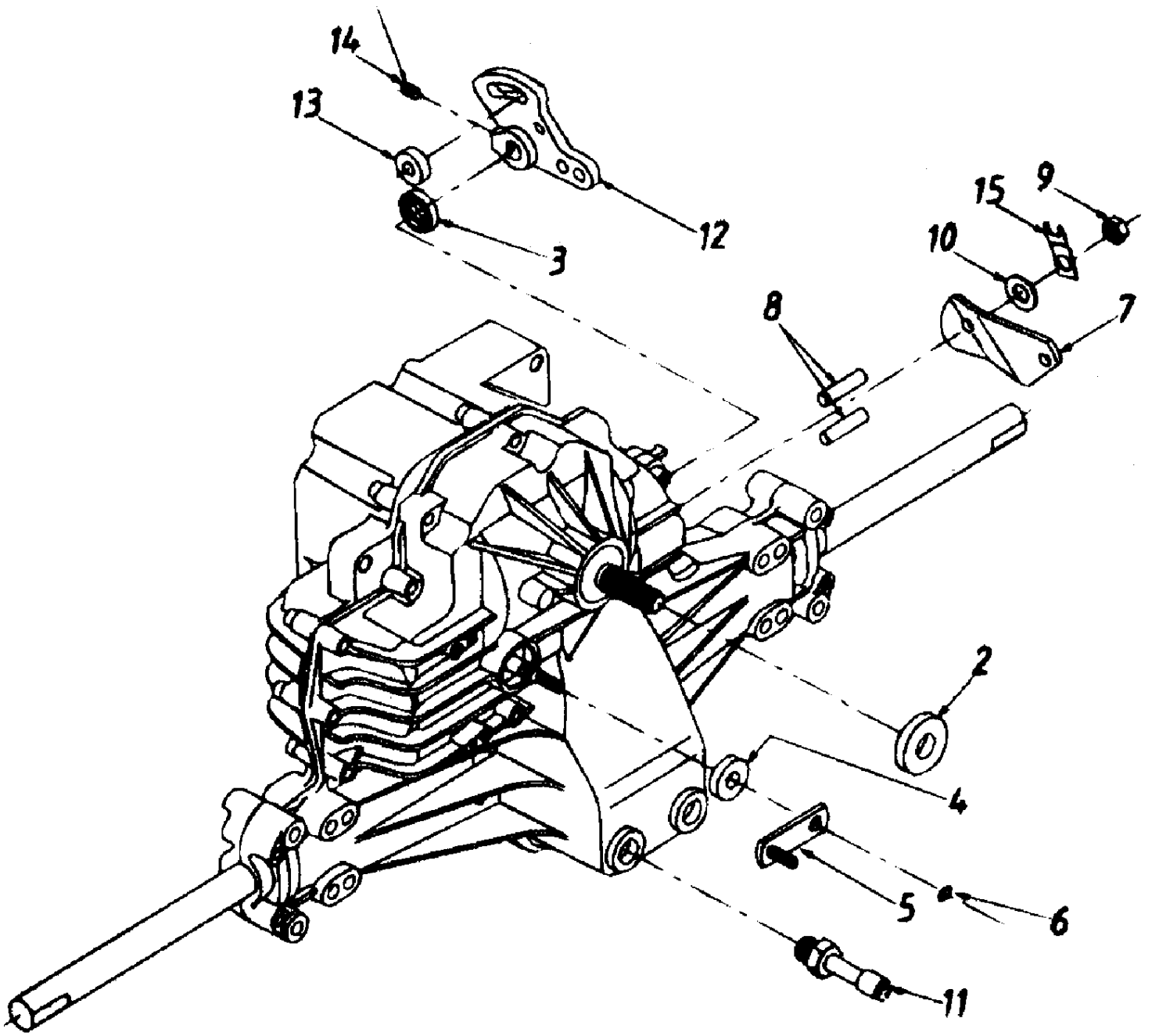


Ref #	Part Number	Qty	S/P/F	Description
1	710-0148	1	/P	Hex Tap Scr. #8-32 x .38" Lg.
2	710-0589	1	/P	Hex Wash. TT-Tap Scr 1/4-20 x 5" Lg.
3	710-0604	1	S	Hex Wash. TT-Tap Scr. 5/16-18 x .62" Lg.
4	710-0779A	1	/P	Truss Mach. Scr. #10 x .5" Lg.
5	710-1315	1	/P	Hex Hd. Tap Scr. 3/8-16 x 1.25" Lg.
?6	710-3015	1	/P	Hex Bolt 1/4-20 x .75" Lg.
7	712-0271	1	/P	Hex Sems Nut 1/4-20 Thd.
?9	721-0346	1		Exhaust Gasket
10	726-0205	1	/P	Hose Clamp
11	726-0272	1	/P	Clamp
12	736-0329	1	S/F	L-Wash. 1/4" I.D.
13	736-3067	1		FI-Wash..188" I.D. x .438" O.D.
14	737-0143	1	S	Oil Drain Cap
15	737-0164	1	S	Pipe Nipple 3/8 x 18 NPT.
17	751-0535-26	1	/P	Fuel Line 26" Lg.
18	751-0564	1	S	Deflector: Muffler
19	751-0616	1	S	Muffler
20	751-0623	1		Exhaust Pipe-L.H.
21	751-0624	1		Exhaust Pipe-R.H.
22	783-0320A	1	S	Muffler Bracket New Part
23	783-0357	1	S	Heat Shield



Ref #	Part Number	Qty	S/P/F	Description
2	710-1208	1	/P	Hex Tap Scr. 5/16-18 x 3.25"
3	938-0155	1	/P	Screw
5	935-0141	1	/P	Washer
6	783-0039A	1	/P	Seat Pivot Bracket New Part
7	751-0603	1	S	Fuel Cap
8	751-0553	1		Fuel Tank (12.5 H.R & Smaller)
	751-0555	1	S	Fuel Tank (13 H.P. & Larger)
9	726-0209	1	/P	Tie Strap
10	751-0535-15	1	/P	Fuel Line
11	726-0205	1	/P	Hose Clamp
13	712-0287	1	S/F	Hex Nut 1/4-20 Thd.
14	736-0329	1	S	L-Wash. 1/4" I.D.
16	732-0735	1	/P	Compression Spring
21	738-0526	1		Running Board Rod
22	710-0227	1	/P	Hex AB-Tap Scr. #8 x .50" Lg.
23	726-0139	1	/P	Speed Nut #10Z
24	783-0041A	1	S	Front Pivot Brkt.
25	710-0870	1	/P	Hex Tap Scr. 3/8-16 x .62" Lg.
26	710-0726	1	/P	Hex Wash. Hd. AB-Tap Scr.5/16 x .75" Lg.
28	710-0134	1	/P/F	Carriage Bolt 1/4-20 x .62"
29	17770B	1	S	Running Board (R.H. & L.H.)
30	761-0168A	1	S	Blade Brake Ass'y.
32	731-0909	1	S	Rubber Foot Pad-L.H. Optional Parts
	731-0910	1	S	Rubber Foot Pad-R.H. Optional Parts
	723-0422	1		Abrasive Foot Pad Optional Parts
33		1		UNKNOWN
34	783-0310C	1	S	Lower Frame New Part
36	726-0278	1		Insulator Boss Plate
?37	736-0264	1	S	FI-Wash..344" I.D. x .625" O.D.
38	710-0118	1	S/F	Hex Bolt 5/16-18 x .75" Lg.
39	783-0042A	1	S	Upper Frame-R.H.
42	732-0581B	1	S	Extension Spring 5.31" Lg.
44	725-1707B	1	S	12-V Battery
45	783-0043	1	/P	Upper Frame-L.H.
46	783-0133B	1	/P	Shift Cover New Part
48	726-0279	1		Insulator Plate
49	17951	1	S	Seat Pivot Brkt. Support-L.H.
50	783-0355A	1	/P	High Plate New Part
51	712-0267	1	S/F	Hex Nut 5/16-18 Thd.
52	736-0119	1	S/F	L-Wash. 5/16" I.D.
53	17239A	1	S	Seat Lift Brkt.
54	757-0363	1	S	Seat 8-7/8" High
	757-0364	1	S	Seat 8-7/8" High (Yellow)
	757-0360	1	S	Seat 10-5/8" High
	757-0365	1	S	Seat 10-5/8" High (Yellow)
	757-0350	1	S	Seat 14-1/4" High
	757-0372	1	S	Seat 14-1/4" High (Yellow)
55	17950	1	S	Seat Pivot Brkt. Support-R.H.
56	738-0296	1	S	Shld. Bolt .437" Dia. x .268"
57	725-1303	1	S	Spring Switch (Seat-Outer)
?59	710-0650	1	/P	Hex TT-Tap Scr. 5/16-18 x 7/8"
63	725-1439	1		Safety Switch (Seat-Inner)
65	783-0345	1	S	Battery Tray
66	710-0351	1	/P	Truss Mach. B-Tap Scr.#10 x .5" Lg.

Ref #	Part Number	Qty	S/P/F	Description
67	748-0347	1	S	Spring Spacer
68	710-0323	1	/P	Truss Mach. Scr. 5/16-18 x .75"
69	710-0118	1	S/F	Hex Bolt 5/16-18 x .75" Lg.
70	731-0405	1		Snap Bushing
71	723-3064	1		Battery Retainer Strap
72	712-3010	1	S	Hex Nut 5/16-18Thd.
73	712-0265	1	/P	Hex Sems Nut 5/16-18 Thd.
74	712-0271	1	/P	Hex Sems Nut 1/4-20 Thd.



Ref #	Part Number	Qty	S/P/F	Description
?1	718-0255A	1	S	Transmission Comp.
2	HG-9008000-0128 P3A3699H08211(997)	1	/P	Seal-Lip
3	HG-9008000-0126 Transmission Complete	1	/P	Seal-Lip
4	HG-45074	1		Seal-Lip 10x 25x7
5	HG-50126	1		Arm-Bypass
6	HG-44870	1		Ring-Retting
7	HG-44094	1	/P	Arm-Actuating
8	HG-44891	2		Pin-Actuating
9	HG-50108	1	S	Nut-Hex Lock 5/16-24 UNJC
10	HG-44130	1	S	Washer 7/16" x 7/8" x .06"
11	HG-50042	1		Breather Ass'y.
12	HG-45007	1		Arm-Control
13	HG-50034	1		Puck-Dampener
14	HG-50018	1		Set Screw
15	HG-50129	1		Strap, Locking