

| Ref # | Part Number | Qty | S/P/F | Description |
|-------|-------------|-----|-------|---|
| 1 | 683-0304 | 1 | S | Lower Frame Assembly |
| 2 | 19-0604A | 1 | /P | Self-tapping Screw, 16-18 x .625 |
| 3 | 783-0726A | 1 | S | RH Pivot Support Bracket |
| 4 | 783-0727 | 1 | S | LH Pivot Support Bracket |
| 5 | 783-0728 | 1 | | Pivot Bar Bracket |
| 6 | 710-0514 | 1 | /P | Hex Cap Screw, 3/8-16 x 1 (Grade 5) |
| 7 | 711-1409A | 1 | /P | LH Drag Link |
| 8 | 711-1408 | 1 | | RH Drag Link |
| 9 | 712-0240 | 1 | S | Jam Nut, 7/16-20 (Grade 2) |
| 10 | 712-0241 | 1 | /P | Hex Nut, 3/8-24 (Grade 2) |
| 11 | 712-0431 | 1 | S | Flange Lock Nut, 3/8-16 |
| 12 | 712-0459 | 1 | /P | Flange Lock Nut, 7/16-20 |
| 13 | 712-3004A | 1 | /P | Flange Lock Nut, 5/16-18 |
| 14 | 717-1550A | 1 | S | Steering Gear, 11/90 Ratio |
| 15 | 717-1554 | 1 | | Steering Pinion Gear |
| 16 | 723-0448A | 1 | S | Ball Joint, 7/16-20 |
| 17 | 736-0169 | 1 | S | Lock Washer, 3/8 |
| 18 | 736-3084 | 1 | /P | Flat Washer, .51 x 1.12 x .06 |
| 19 | 738-1001A | 1 | /P | Steering Shaft, .625 OD x 24.4 |
| 20 | 741-0475 | 1 | S | Plastic Bushing, .38 ID |
| 21 | 741-0656 | 1 | S | Hex Flange Bearing, 5/8 |
| 22 | 738-0372 | 1 | S | Shoulder Spacer, .38 ID |
| 23 | 631-0027 | 1 | S | Steering Wheel |
| | 731-1687 | 1 | S | Steering Wheel (MTD) |
| 24 | 731-0220 | 1 | S | Steering Wheel Cap |
| | 731-1459A | 1 | /P | Steering Wheel Cap w/ Icon |
| 25 | 638-0019 | 1 | S/F | LH Axle Assembly, .625 Diameter |
| | 638-0021 | 1 | S/F | LH Axle Assembly, .625 / .750 Diameter |
| 26 | 638-0020 | 1 | S/F | RH Axle Assembly, .625 Diameter |
| | 638-0022 | 1 | S/F | RH Axle Assembly, .625 / .750 Diameter |
| 27 | 683-0128A | 1 | | Pivot Bar |
| 28 | 712-0431 | 1 | S | Flange Lock Nut, 3/8-16 |
| 29 | 714-0470 | 1 | S | Cotter Pin |
| 30 | 726-0214 | 1 | /P | Push Cap, .625 |
| | 726-0341 | 1 | /P | Push Cap, .750 |
| 31 | 736-0162 | 1 | /P | Flat Washer, .64 x 1.0 x .12 |
| 32 | 736-0187 | 1 | /P | Flat Washer, .64 x 1.24 x .06 |
| | 736-0316 | 1 | S | Flat Washer, .78 x 1.59 x .06 |
| 33 | 736-0285 | 1 | /P | Flat Washer, .635 x 1.589 x .06 |
| 34 | 738-1011 | 1 | S | Shoulder Screw, .5 x 2.2, 3/8-16 |
| 35 | 741-0659 | 1 | S | Flange Bearing, .632 ID x .937 OD |
| | 741-0660 | 1 | S | Flange Bearing, .760 ID x .937 OD |
| 36 | 634-0105A | 1 | S | Wheel Assembly Complete, 15 x 6 x 6 Square Shoulder |
| | 634-0056A | 1 | S | Wheel Assembly Complete, 15 x 6 x 6 Round Shoulder |
| | 634-0172 | 1 | | Rim Only |
| | 734-0255 | 1 | S | Air Valve (Not Shown) |
| | 734-1731 | 1 | | Tire Only, Square Shoulder |
| | 734-0864 | 1 | /P | Tire Only, Round Shoulder |
| | 741-0487A | 1 | S | Plastic Flange (Not Shown) |
| | 741-0706 | 1 | S | Plastic Flange w/ Fitting (Not Shown) |
| 37 | 734-0484A | 1 | S | Hub Cap |

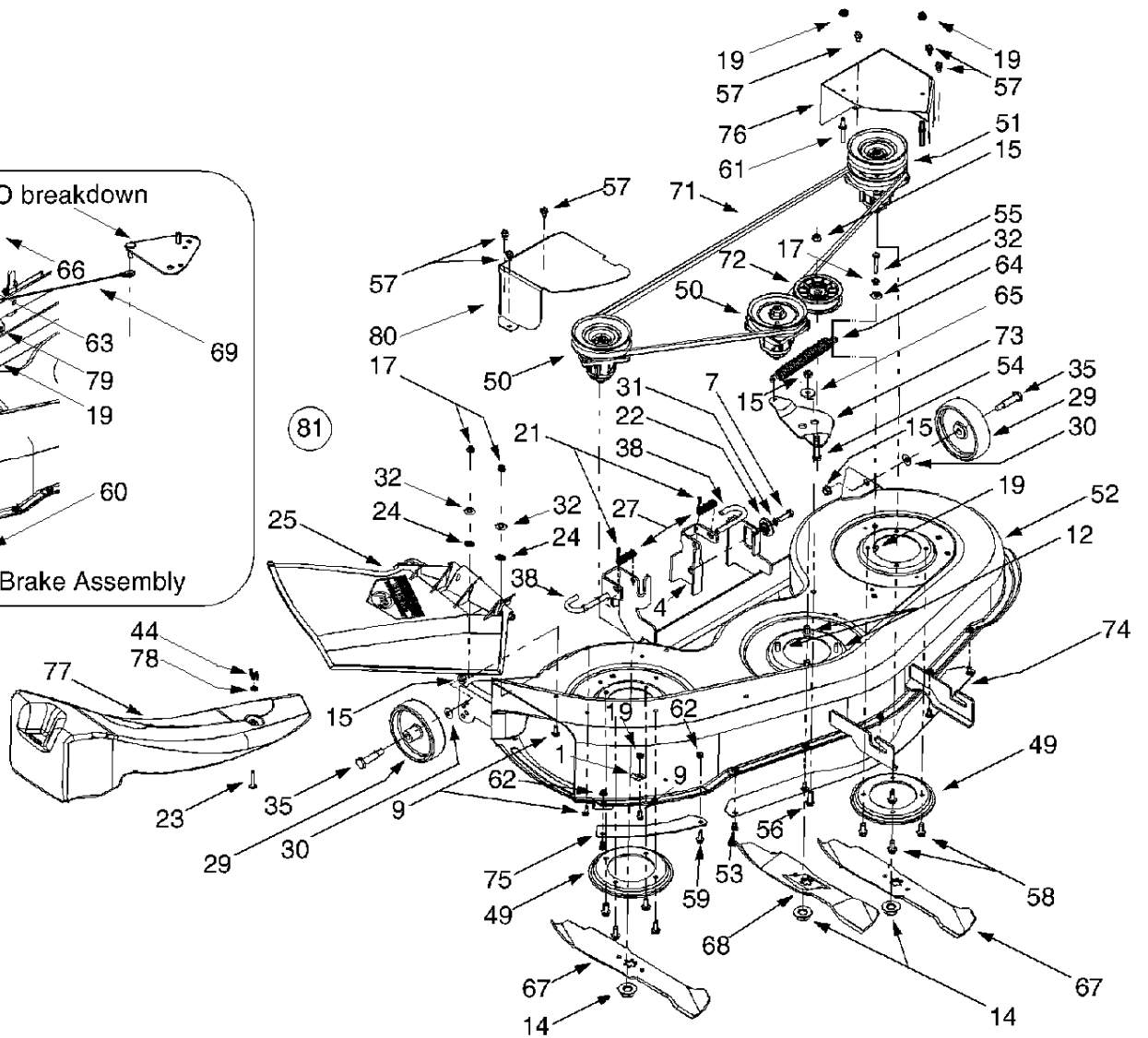
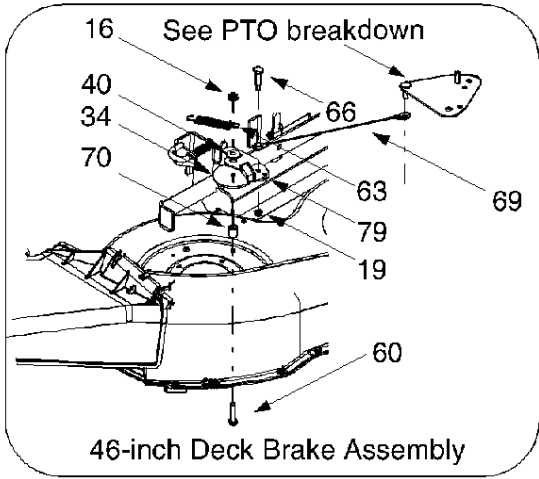
| Ref # | Part Number | Qty | S/P/F | Description |
|-------|-------------|-----|-------|---|
| 38 | 783-0653C | 1 | S | Steering Support Bracket |
| 39 | 738-0143 | 1 | /P | Shoulder Screw, 3/8-16 |
| 40 | 736-0331 | 1 | /P | Bell Washer, .39 x 1.13 x .062 |
| 41 | 738-0140 | 1 | S | Shoulder Screw, .435 x .178, 5/16 x .56 |
| 42 | 736-0242 | 1 | /P | Bell Washer, .34 x .872 |
| 43 | 710-0643 | 1 | /P | Hex Bolt, 5/16-18 X 1 |
| 44 | 731-1649 | 1 | | End Cap |
| | 731-1291A | 1 | S | End Cap w/ Fitting (If so equipped) |

SA No 07H352 (2000)
 Axle, Front, Steering Assembly, Wheels, Front

No
Diagram
Available

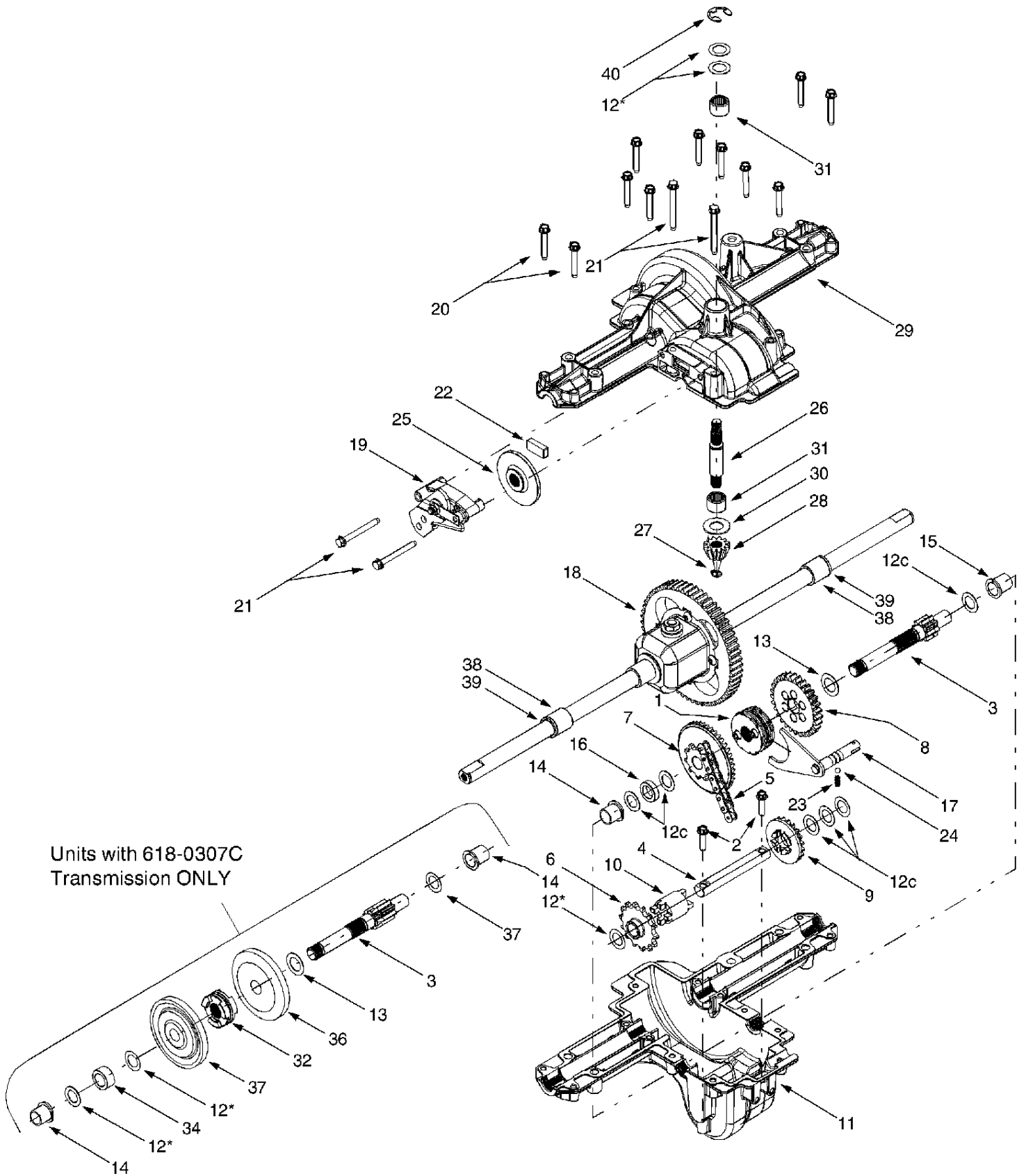
Parts List
Only

| Ref # | Part Number | Qty | S/P/F | Description |
|-------|---------------------|-----|-------|---|
| | OEM-190-603 | 1 | S | Grille Guard Bumper Kit Not Shown; (if so equipped); No Illustration |
| | 13AN607H352 (2000) | | | Page 5 of 27 |
| | AF-44742 | 1 | | Bumper Assembly No Illustration |
| | AF-44056 | 1 | | Clevis Pin, .5 x 1 No Illustration |
| | AF-43055 | 1 | S | Internal Cotter Pin No Illustration |
| | AF-44742 | 1 | | Plastic Plug No Illustration |

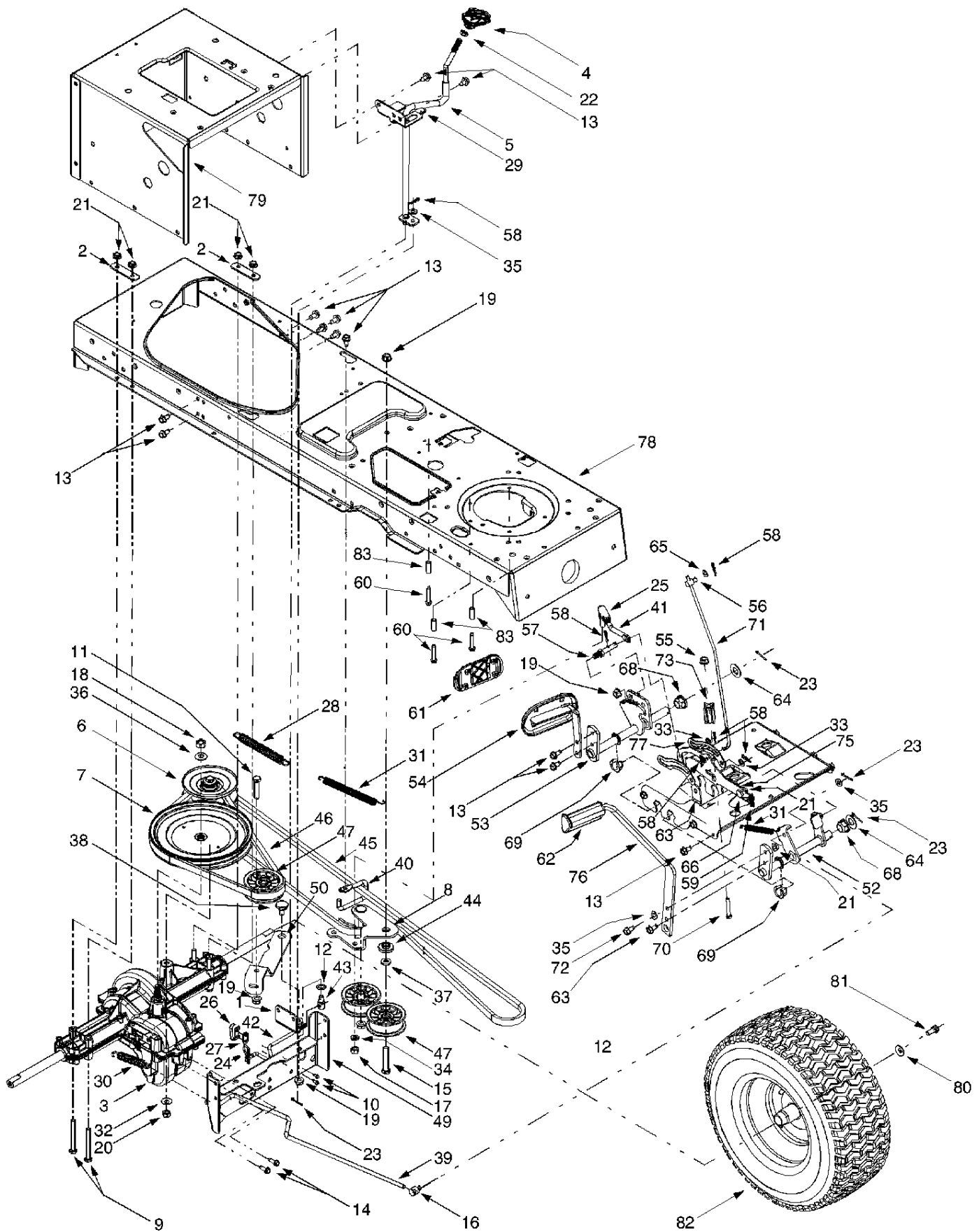


| Ref # | Part Number | Qty | S/P/F | Description |
|-------|-------------|-----|-------|--|
| 1 | 16606 | 1 | S | Retainer Hook |
| 4 | 683-0254 | 1 | S | Deck Adjustment Bracket w/ Weld Nut |
| 7 | 710-0528 | 1 | /P | Hex Cap Screw, 5/16-18 x 1.25 |
| 9 | 710-0751 | 1 | /P | Hex Cap Screw, 1/4-20 x .62 |
| 12 | 710-1260A | 1 | /P | Self-tapping Screw, 5/16-18 x .75 |
| 14 | 712-0417A | 1 | /P | Hex Flange Nut, 5/8-18 |
| 15 | 712-0431 | 1 | S | Flange Lock Nut, 3/8-16 |
| 16 | 712-3004A | 1 | /P | Flange Lock Nut, 5/16-18 |
| 17 | 712-3006 | 1 | /P | Hex Nut, 1/4-20 |
| 19 | 712-3027 | 1 | S | Hex Flange Lock Nut, 1/4-20 |
| 21 | 714-0111 | 1 | S | Cotter Pin, 3/32 x 1.0 |
| 22 | 717-1553A | 1 | S | Deck Adjustment Gear |
| 23 | 710-0578 | 1 | /P | Screw, 1/4-20 x 1.5 |
| 24 | 726-0233 | 1 | /P | Push Nut. .25 x .5 |
| 25 | 731-1032B | 1 | S | Side Discharge Chute Assembly |
| 27 | 732-0306 | 1 | S | Compression Spring, .406 x .531 x 1.75 |
| 29 | 734-0973 | 1 | /P | Deck Wheel, 5 x 1.38 |
| 30 | 736-0105 | 1 | /P | Bell Washer, .401 x .87 x .063 |
| 31 | 736-0119 | 1 | S | Lock Washer, 5/16 |
| 32 | 736-0270 | 1 | /P | Bell Washer, .265 x .75 x .062 |
| 34 | 736-0416 | 1 | | Flat Washer, .320 x 3.0 x .125 |
| 35 | 738-0373 | 1 | S | Shoulder Screw, .498 x 1.53 |
| 38 | 747-1116 | 1 | | Deck Release Pin |
| 40 | 748-0234 | 1 | /P | Shoulder Spacer |
| 44 | 712-3087 | 1 | /P | Wing Nut, 1/4-20 (If so equipped) |
| 49 | 17982 | 1 | S | Reinforcement Spindle Plate |
| 50 | 618-0240 | 1 | S | Spindle Assembly, 5.0 Dia. |
| 51 | 618-0241 | 1 | S | Double Pulley Spindle Assembly |
| 52 | 683-0265C | 1 | /P | 46-inch Deck Shell |
| 53 | 710-0167 | 1 | /P | Carriage Screw, 1/4-20 x .50 |
| 54 | 710-0347 | 1 | /P | Hex Cap Screw, 3/8-16 x 1.75 |
| 55 | 710-0501 | 1 | /P | Hex Cap Screw, 1/4-20 x 2.0 |
| 56 | 710-0514 | 1 | /P | Hex Cap Screw, 3/8-16 x 1.0 |
| 57 | 710-0599 | 1 | /P | Self-tapping Screw, 1/4-20 x .5 |
| 58 | 710-0650 | 1 | /P | Self-tapping Screw, 15/16-18 x .875 |
| 59 | 710-0703 | 1 | /P | Hex Screw, 1/4-20 x .75 |
| 60 | 710-0805 | 1 | /P | Hex Cap Screw, 5/16-18 x 1.5 |
| 61 | 711-0993 | 1 | S | Belt Keeper Pin |
| 62 | 712-0271 | 1 | /P | Hex Sems Nut, 1/4-20 |
| 63 | 732-0429A | 1 | S | Extension Spring, .5 x 3.97 |
| 64 | 732-0594A | 1 | S | Extension Spring, .91 x 7.33 |
| 65 | 738-0347 | 1 | S | Shoulder Spacer, .625 x 1.16 |
| 66 | 738-0572 | 1 | S | Shoulder Screw, .374 x 1.16 |
| 67 | 742-0611 | 1 | S | Three-in-one Blade, Star Center, 16.28" |
| 68 | 742-0612 | 1 | S | Three-in-one Blade, Star Center, 14.88" |
| 69 | 746-1107 | 1 | | Bracket Cable, 12" |
| 70 | 750-0807 | 1 | | Spacer, .385 x .625 x .70 |
| 71 | 754-0349 | 1 | S | Deck Belt |
| 72 | 756-0627 | 1 | S | Flat Idler Pulley, 3.5 OD |
| 73 | 783-0139 | 1 | S | Idler Bracket |
| 74 | 783-0141 | 1 | | Center Deck Skirt |
| 75 | 783-0142 | 1 | | RH Deck Skirt |
| 76 | 783-0747 | 1 | | LH Belt Cover |
| 77 | 731-1636 | 1 | | Mulch Plug, 46-inch Decks (If so equipped) |

| Ref # | Part Number | Qty | S/P/F | Description |
|-------|-------------|-----|-------|--|
| 78 | 712-0291 | 1 | S | Hex Lock Nut, 1/4-20 (If so equipped) |
| 79 | 17116 | 1 | S | Deck Brake Assembly, 46-inch Decks |
| 80 | 783-0805A | 1 | S | RH Belt Cover |
| 81 | 753-0872 | 1 | | 46-inch Deck Assembly Complete (Manual PTO activated, w/o mulch kit) |

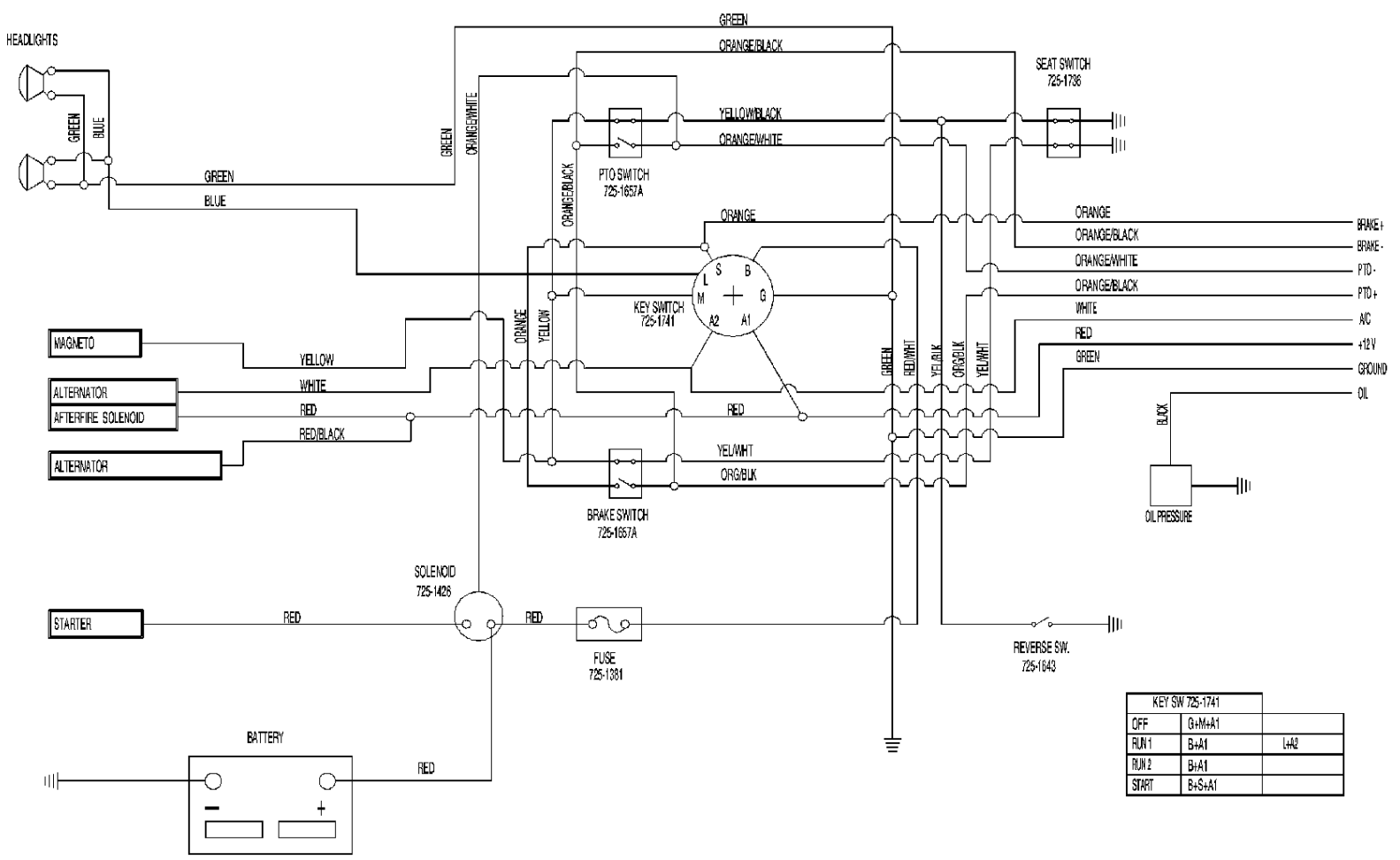


| Ref # | Part Number | Qty | S/P/F | Description |
|-------|-------------|-----|-------|------------------------------------|
| 1 | 618-0318 | 1 | F | Clutch Collar |
| 2 | 710-0788 | 1 | /P | Self-tapping Screw, 1/4-20 x 1.0 |
| 3 | 711-1274 | 1 | | Drive Shaft |
| 4 | 711-1280 | 1 | | Counter Shaft |
| 5 | 713-0474 | 1 | | 22-link Chain, #420 |
| 6 | 713-0478 | 1 | | 14-tooth Sprocket |
| 7 | 717-1422 | 1 | | Sprocket Bevel Gear, 42/10 |
| 8 | 717-1565 | 1 | | 29-tooth Spur Gear |
| 9 | 717-1569 | 1 | | 20-tooth Spur Gear |
| 10 | 718-0652 | 1 | | Counter Shaft Coupling |
| 11 | 719-0394 | 1 | | Lower Housing |
| 12 | | 1 | | UNKNOWN |
| ?12A | 736-0336 | 1 | S/F | Flat Washer, 5/8 x 1.0 x .030 |
| ?12B | 736-0337 | 1 | S/F | Flat Washer, 5/8 x 1.0 x .040 |
| 12C | 736-0349 | 1 | S/F | Flat Washer, 5/8 x 1.0 x .020 |
| 13 | 736-0519 | 1 | S | Flat Washer, .70 x 1.125 x .031 |
| 14 | 741-0336 | 1 | S | Flange Bearing, 5/8 x 3/4 x 3/4 |
| 15 | 741-0337 | 1 | S | Flange Bearing, 5/8 x 3/4 x 15/16 |
| 16 | 750-1238 | 1 | | Spacer, .635 x 1.0 x .27 |
| 17 | 611-0112 | 1 | F | Detent Shaft Assembly |
| | 611-0133 | 1 | F | Detent Shaft Assembly |
| 18 | 618-0369 | 1 | S/F | Differential Assembly |
| | 618-0424 | 1 | S/F | Differential Assembly |
| 19 | 661-0006 | 1 | S | Brake Assembly |
| 20 | 710-1325 | 1 | /P | Self-tapping Screw, 1/4-20 x 1.625 |
| 21 | 710-1206 | 1 | /P | Self-tapping Screw, 1/4-20 x 2.375 |
| 22 | 717-0678 | 1 | S | Brake Pad |
| 23 | 732-0863 | 1 | S | Compression Spring |
| 24 | 741-0862 | 1 | /P | Detent Ball |
| 25 | 761-0202 | 1 | | Brake Disc |
| 26 | 711-1331 | 1 | | Input Shaft |
| | 711-1430 | 1 | | Input Shaft |
| 27 | 716-0385 | 1 | F | Retaining Ring, .394 |
| | 716-0108 | 1 | S/F | Retaining Ring, .437 |
| 28 | 717-1571 | 1 | F | 12-tooth Bevel Pinion |
| | 717-1464 | 1 | F | 14-tooth Bevel Pinion |
| 29 | 719-0391A | 1 | S | Upper Housing |
| 30 | 736-0335 | 1 | S/F | Thrust Washer, .63 x 1.24 x .062 |
| | 736-0723 | 1 | S/F | Thrust Washer, .635 x 1.25 x .042 |
| 31 | 741-0525 | 1 | S | Needle Bearing, .625 x .875 |
| 32 | 718-0228 | 1 | F | Clutch Collar |
| ?33 | 711-1431 | 1 | F | Drive Shaft |
| 34 | 750-1234 | 1 | | Spacer, .633 x 1.0 x .513 |
| ?35 | 717-1362 | 1 | S/F | 42-tooth Bevel Gear |
| 36 | 717-1363 | 1 | S/F | 42-tooth Bevel Gear |
| 37 | 736-0495 | 1 | S | Thrust Washer, 1.0 x .632 x .0 |
| 38 | 741-0340 | 1 | S | Sleeve Bearing, .75 x 1.0 x 1.0 |
| 39 | 721-0338 | 1 | S | Seal, .75 x 1.0 x .125 |
| 40 | 716-0231 | 1 | S | E-ring, .75 |
| ?41 | 618-0551 | 1 | S | Transmission Assembly Complete |



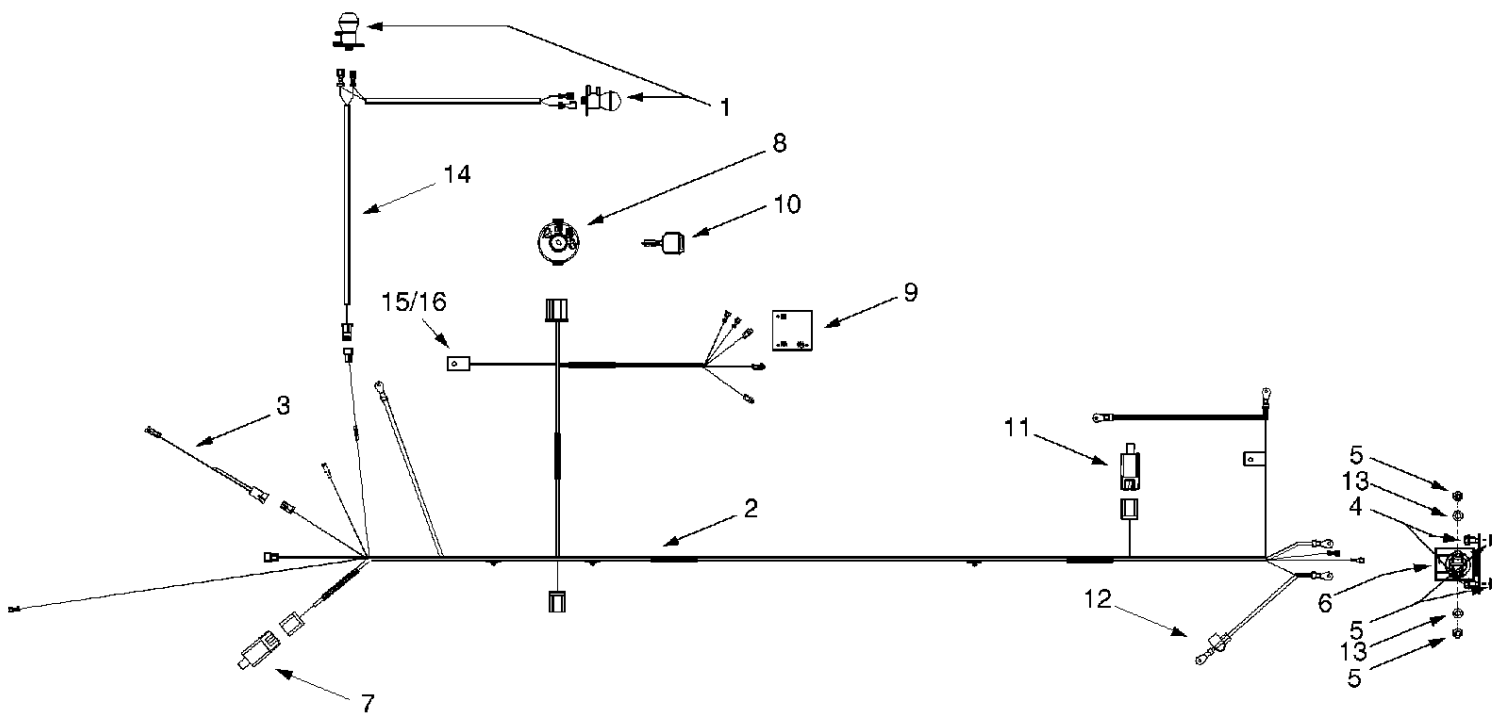
| Ref # | Part Number | Qty | S/P/F | Description |
|-------|-------------|-----|-------|---|
| 1 | 783-1015 | 1 | S | Shift Lever Support |
| 2 | 17840 | 1 | S | Transaxle Mounting Bracket |
| 3 | 618-0307C | 1 | S | Single-speed Transmission Assembly |
| 4 | 631-0009 | 1 | S | Shifter Knob |
| 5 | 647-0045 | 1 | | Shift Lever |
| 6 | 656-0048 | 1 | S | Variable-speed Pulley Assembly |
| 7 | 656-0051A | 1 | /P | Transmission Pulley, 8.5 x .5-36 |
| 8 | 683-0251 | 1 | | Double-idler Bracket |
| 9 | 710-0176 | 1 | /P | Hex Cap Screw, 5/16-18 x 2.75 |
| 10 | 710-0227 | 1 | /P | Self-tapping Screw, #8-18 x .5 |
| 11 | 710-0347 | 1 | /P | Hex Cap Screw, 3/8-16 x 1.75 |
| 12 | 736-0272 | 1 | S | Flat Washer, .51 x 1.0 x .060 |
| 13 | 710-0604A | 1 | /P | Self-tapping Screw, 5/16-18 x .625 |
| 14 | 710-0642 | 1 | /P | Self-tapping Screw, 1/4-20 x .75 |
| 15 | 710-3011 | 1 | /P | Hex Cap Screw, 3/8-16 x 2.25 |
| 16 | 711-0677 | 1 | S | Ferrule, 5/16-18 |
| 17 | 712-0241 | 1 | /P | Hex Nut, 3/8-24 |
| 18 | 712-0378 | 1 | /P | Hex Nut, 7/16-20 |
| 19 | 712-0431 | 1 | S | Flange Lock Nut, 3/8-16 |
| 20 | 712-0798 | 1 | /P | Hex Nut, 3/8-16 |
| 21 | 712-3004A | 1 | /P | Flange Lock Nut, 5/16-18 |
| 22 | 712-3008 | 1 | S | Jam Nut, 3/8-16 |
| 23 | 714-0111 | 1 | S | Cotter Pin |
| 24 | 714-0149B | 1 | S | Internal Cotter Pin |
| 25 | 723-3018 | 1 | S | Ball Joint |
| 26 | 725-1644 | 1 | | Short Spring Switch |
| 27 | 726-0320 | 1 | S | Insulator Nut Plate |
| 28 | 732-0384 | 1 | S | Extension Spring, .62 Dia. x 6.12 |
| 29 | 732-0525 | 1 | | Compression Spring Clip |
| 30 | 732-0716 | 1 | S | Extension Spring, .59 OD x 4 |
| 31 | 732-0963 | 1 | | Extension Spring, .50 Dia. x 6.37 (Hooks to flange, 783-0650, in frame) |
| 32 | 736-0105 | 1 | /P | Bell Washer, .401 x .87 x .063 |
| 33 | 736-0140 | 1 | S | Flat Washer, .385 x .62 x .063 |
| 34 | 736-0169 | 1 | S | Lock Washer, 3/8 |
| 35 | 736-0275 | 1 | S | Flat Washer, 5/16 |
| 36 | 736-0407 | 1 | | Bell Washer, .45 x 1.0 x .602 |
| 37 | 736-3010 | 1 | | Flat Washer, .407 x .812 x .135 |
| 38 | 738-0322 | 1 | /P | Shoulder Screw, .625 x .217 |
| 39 | 747-1122 | 1 | | Brake Rod |
| 40 | 747-1123A | 1 | | Belt Guard |
| 41 | 747-1127 | 1 | | Idler Adjustment Rod, 3/8 |
| 42 | 747-1156 | 1 | S | Shift Rod |
| 43 | 711-0736 | 1 | /P | Adjustment Ferrule, 1/4-20 x 1.0 |
| 44 | 748-0372 | 1 | | Shoulder Spacer, .38 ID |
| 45 | 754-0467 | 1 | S | Variable-speed Belt |
| 46 | 754-0468 | 1 | S | Drive Belt |
| 47 | 756-0981 | 1 | S | Flat Idler, 2.75 OD |
| ?48 | 783-0637 | 1 | S | Shift Lever Support |
| 49 | 783-0667A | 1 | S | Transmission Torque Bracket |
| 50 | 783-0669 | 1 | S | Idler Bracket |
| ?51 | 783-0714 | 1 | S | Adjustable Shift Bracket |
| 52 | 647-0031 | 1 | S | Brake Control Assembly |

| Ref # | Part Number | Qty | S/P/F | Description |
|-------|-------------|-----|-------|---|
| 53 | 647-0032 | 1 | S | Speed Control Assembly |
| 54 | 683-0266 | 1 | | Drive Pedal Assembly |
| 55 | 713-0431 | 1 | S | Flange Lock Nut, 3/8-16 |
| 56 | 711-0736 | 1 | /P | Ferrule, 1/4-20 |
| 57 | 711-1363 | 1 | | Pin, 3/8-16 x 2.43 |
| 58 | 714-0104 | 1 | S | Cotter Pin |
| 59 | 732-0437 | 1 | | Compression Spring, .34 OD x 1.0 |
| 60 | 710-0778 | 1 | /P | Self-tapping Screw, 1/4-20 x 1.5 |
| 61 | 735-0662 | 1 | | Drive Pedal Pad |
| 62 | 735-3049 | 1 | S | Brake Pedal Pad |
| 63 | 710-1650 | 1 | /P | Self-tapping Screw, 5/16-18 x .875 |
| 64 | 736-0187 | 1 | /P | Flat Washer, .64 x 1.24 x .06 |
| 65 | 736-0204 | 1 | /P | Flat Washer, .344 x .062 x .03 |
| 66 | 738-0155 | 1 | S | Shoulder Screw, .437 x 1.62 |
| ?67 | 738-0507B | 1 | S | Shoulder Screw, .5 x .434 |
| 68 | 741-0225 | 1 | S | Hex Flange Bearing |
| 69 | 741-3065A | 1 | S | Split Hex Flange Bearing |
| 70 | 710-0859 | 1 | /P | Hex Cap Screw, 3/8-16 x 2.5 |
| 71 | 747-1138 | 1 | | Brake Lock Control Rod |
| 72 | 710-1260A | 1 | /P | Self-tapping Screw, 5/16-18 x .75 |
| 73 | 748-0415A | 1 | S | Spacer, 5/16 x 1.54 |
| ?74 | 783-0653C | 1 | S | Steering Support Bracket |
| 75 | 783-0732 | 1 | S | Drive Lockout Bracket |
| 76 | 783-0773 | 1 | | Brake Pedal |
| 77 | 783-0780A | 1 | S | Neutral Return Bracket |
| 78 | 683-0304 | 1 | S | Lower Frame Assembly |
| 79 | 783-1031 | 1 | | Hitch Plate |
| 80 | 736-0242 | 1 | /P | Bell Washer, .34 x .872 |
| 81 | 710-0627 | 1 | /P | Hex Cap Screw, 5/16-24 x .75 |
| 82 | 634-0177 | 1 | /P | Wheel Assembly Complete 20 x 10 x 8 Square Shoulder |
| | 634-0104 | 1 | | Wheel Assembly Complete 20 x 8 x 8 Square Shoulder |
| | 734-1675 | 1 | | Wheel Assembly Complete 20 x 8 x 8 Round Shoulder |
| | 634-0070 | 1 | /P | Rim Only |
| | 734-0255 | 1 | S | Air Valve (Not Shown) |
| | 734-1873 | 1 | | Tire Only, 20 x 10 x 8, Square Shoulder |
| | 734-1730 | 1 | | Tire Only, 20 x 8 x 8, Square Shoulder |
| | 734-1596 | 1 | | Tire Only, 20 x 8 x 8, Round Shoulder |
| 83 | 750-0556 | 1 | | Spacer |

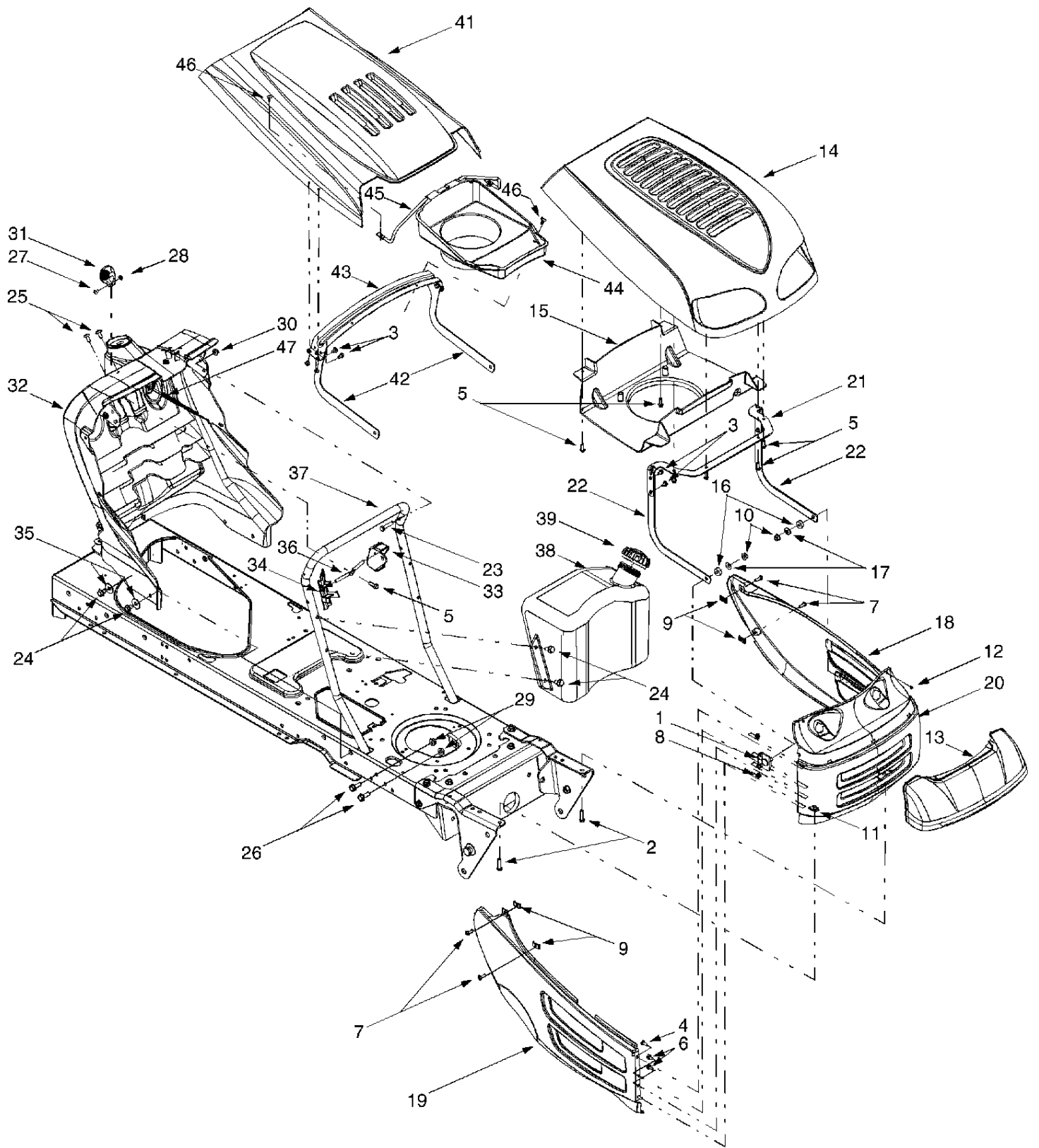


| KEY SW 725-1741 | | |
|-----------------|--------|------|
| OFF | G+M+A1 | |
| RUN 1 | B+A1 | L+A2 |
| RUN 2 | B+A1 | |
| START | B+S+A1 | |

| Ref # | Part Number | Qty | S/P/F | Description |
|----------|-------------|-----|-------|--------------|
| 7251657A | 725-1657A | 1 | S | PTO Switch |
| 7251736 | 725-1736 | 1 | S | Seat Switch |
| 7251741 | 725-1741 | 1 | S | Key Switch |
| 7251657A | 725-1657A | 1 | S | Brake Switch |
| 7251426 | 725-1426 | 1 | S | Solenoid |
| 7251381 | 725-1381 | 1 | S | Fuse |
| 7251643 | 725-1643 | 1 | | Reverse Sw. |

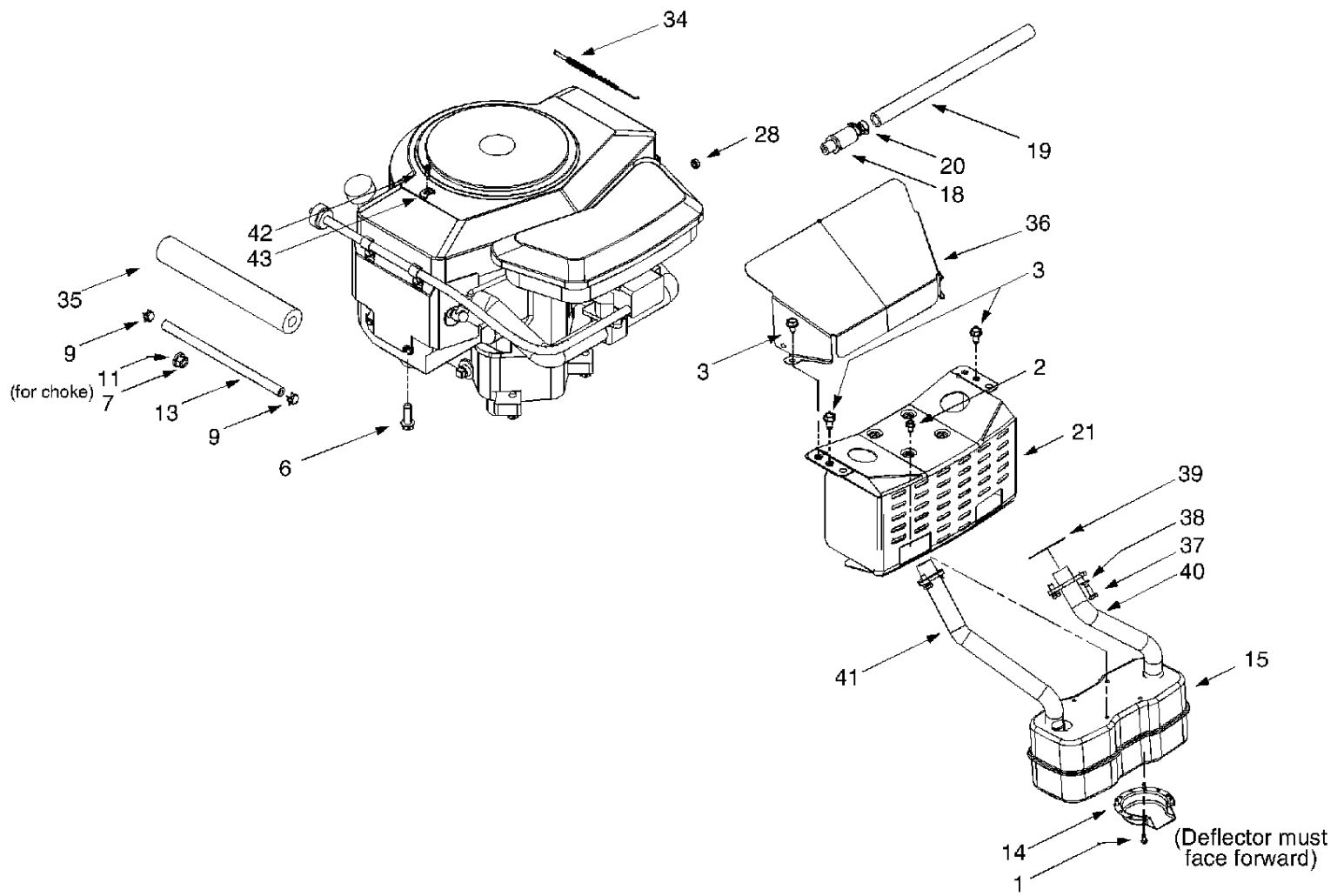


| Ref # | Part Number | Qty | S/P/F | Description |
|-------|-------------|-----|-------|--|
| 1 | 625-0051 | 1 | S | Bulb/Socket Headlight Assembly |
| 2 | 629-1073 | 1 | S | Wiring Harness w/o Ref. 14 |
| 3 | 629-0126 | 1 | | Harness Adapter, #18 x 5 |
| 4 | 710-0599 | 1 | /P | Self-tapping Screw, 1/4-20 x .5 |
| 5 | 712-3006 | 1 | /P | Hex Nut, 1/4-20 |
| 6 | 725-1426 | 1 | S | Solenoid, 12-volt, 100 Amp |
| 7 | 725-1657A | 1 | S | Snap Mount Safety Interlock Switch (Brake) |
| 8 | 725-1741 | 1 | S | Ignition Switch |
| 9 | 725-1742 | 1 | S | Systems Indicator Monitor |
| 10 | 725-1745 | 1 | S | Ignition Key w/ Plastic Cover |
| | 725-1744 | 1 | S | Ignition Key w/o Plastic Cover |
| 11 | 725-1747 | 1 | S | Safety Plunger Switch (Seat) |
| 12 | 725-3007A | 1 | /P | Positive Terminal Cover (Boot) |
| 13 | 736-0329 | 1 | S | Lock Washer, 1/4 |
| 14 | 629-0309 | 1 | S | Headlight Harness |
| 15 | 729-0357 | 1 | | Fuse Holder |
| 16 | 725-1381 | 1 | S | 20-amp Fuse |



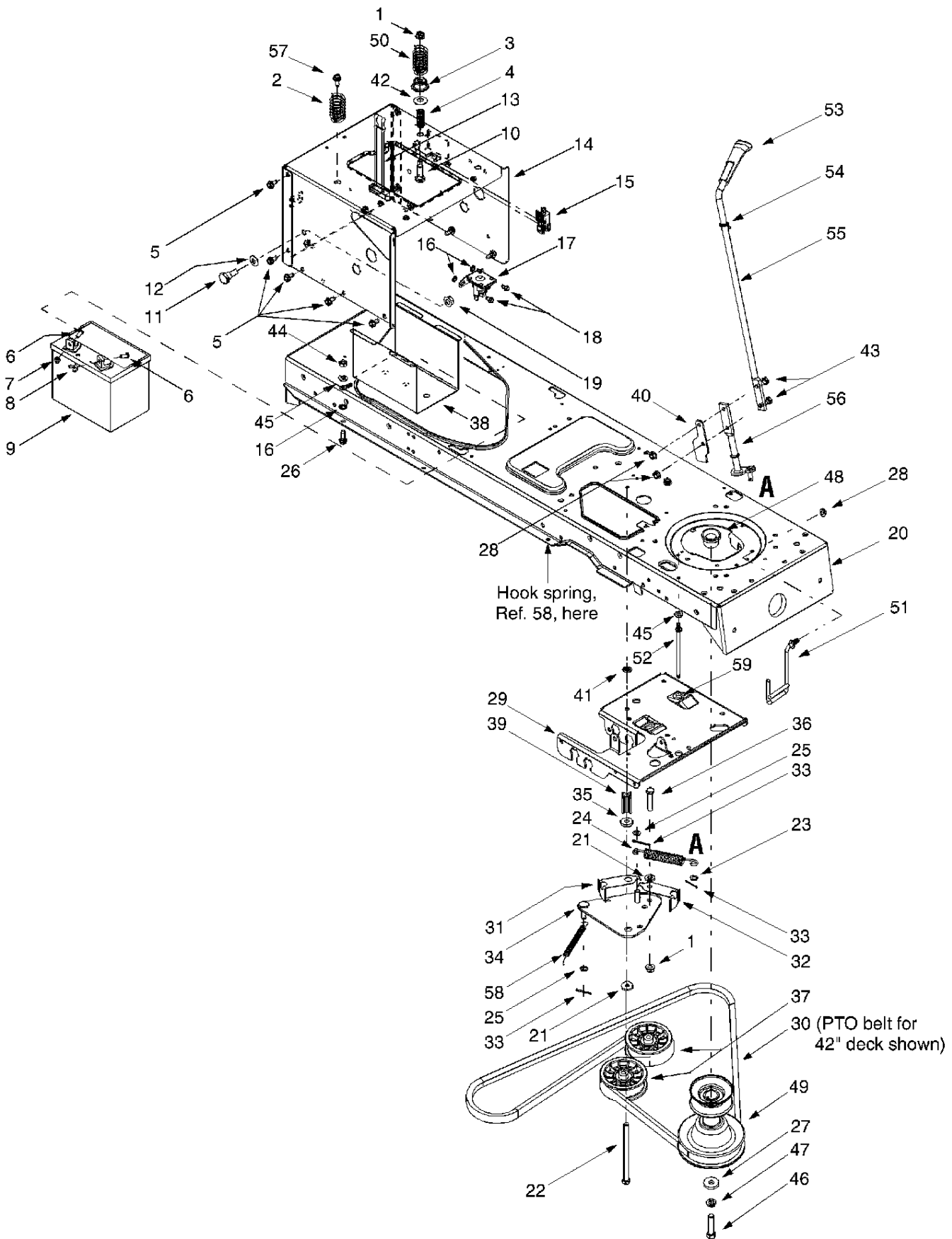
| Ref # | Part Number | Qty | S/P/F | Description |
|-------|-------------|-----|-------|--|
| 1 | 683-0195 | 1 | | Bracket Assembly |
| 2 | 710-0528 | 1 | /P | Hex Cap Screw, 5/16-18 x 1.25 |
| 3 | 710-0599 | 1 | /P | Self-tapping Screw, 1/4-20 x .5 |
| 4 | 710-0751 | 1 | /P | Hex Cap Screw, 1/4-20 x .62 |
| 5 | 710-0895 | 1 | | Self-tapping Screw, 1/4-15 x .75 |
| 6 | 710-0896 | 1 | /P | Screw, 1/4-15 x .75 |
| 7 | 710-0924 | 1 | /P | Phillips Pan Screw, 1/4-20 x .75 |
| 8 | 712-0271 | 1 | /P | Hex Sems Nut, 1/4-20 |
| 9 | 712-0292 | 1 | /P | U-type Speed Nut, 1/4-20 |
| 10 | 712-0431 | 1 | S | Flange Lock Nut, 3/8-16 |
| 11 | 726-0211 | 1 | S | U-nut, 5/16-18 |
| 12 | 726-0293 | 1 | | Retainer Nut, 3/8 |
| 13 | 731-1854 | 1 | S | Headlight Lens |
| 14 | 731-2300 | 1 | | Hood, 7-style, Red |
| | 731-2301 | 1 | | Hood, 7-style, Green |
| | 731-2302 | 1 | | Hood, 7-style, Black |
| | 731-2303 | 1 | | Hood, 7-style, Charcoal Grey |
| 15 | 731-2306 | 1 | | Hood Plenum, 7-style |
| 16 | 735-0126 | 1 | S | Rubber Washer, .87 x .33 |
| 17 | 736-0105 | 1 | /P | Bell Washer, .401 x .87 x .063 |
| 18 | 783-0475 | 1 | S | LH Side Panel |
| 19 | 783-0476A | 1 | | RH Side Panel |
| 20 | 783-0477 | 1 | S | Grille |
| 21 | 783-1034 | 1 | S | Hood Bracket, 7-style |
| 22 | 783-1038 | 1 | S | Hood Side Bracket, 7-style |
| 23 | 710-0106 | 1 | /P | Hex Cap Screw, 1/4-20 x 1.25 |
| 24 | 710-0604A | 1 | /P | Self-tapping Screw, 5/16-18 x .625 |
| 25 | 710-1017 | 1 | /P | Truss Phillips Screw, 1/4-20 x .625 |
| 26 | 710-1238 | 1 | /P | Hex Washer Screw, 5/16-18 x .625 |
| 27 | 710-3217 | 1 | /P | Truss Phillips Screw, #8-32 x .375 |
| 28 | 712-0142 | 1 | /P | Hex Nut, #8-32 |
| 29 | 712-3004A | 1 | /P | Flange Lock Nut, 5/16-18 |
| 30 | 712-3027 | 1 | S | Hex Flange Lock Nut, 1/4-20 |
| 31 | 731-1857 | 1 | | Throttle Control Knob |
| 32 | 731-2122 | 1 | S | Dash Panel |
| 33 | 731-2227 | 1 | | Parking Brake Button |
| 34 | 731-2228 | 1 | | Plastic Plug |
| 35 | 736-3078 | 1 | /P | Flat Washer, .349 x 1.0 x .063 |
| 36 | 747-1196 | 1 | | Pivot Rod |
| 37 | 749-1087 | 1 | S | Dash Support Tube |
| 38 | 751-0659 | 1 | S | Two-gallon Fuel Tank (Shown) |
| | 751-0658 | 1 | | Three-gallon Fuel Tank |
| 39 | 751-0603 | 1 | S | Fuel Cap (Fits Either Tank) |
| ?40 | 710-1268 | 1 | /P | Screw, #10-16 x .375 |
| 41 | 783-0478A | 1 | S | Hood, 8-style |
| 42 | 783-0551A | 1 | | Hood Hinge Bracket, 8-style |
| 43 | 783-0553A | 1 | S | Hood Support Bracket, 8-style |
| 44 | 731-2247 | 1 | S/F | Heat Shield (Units w/ B&S OHV Twin) |
| | 731-2248 | 1 | S/F | Heat Shield (Units w/ B&S Opposed Twin) |
| 45 | 747-1184 | 1 | | Heat Shield Support Rod |
| 46 | 726-3046 | 1 | /P | Ratchet Clip |
| 47 | 746-1085 | 1 | S/F | Choke Cable/Knob (Units w/ B&S Opposed Twin) |

| Ref # | Part Number | Qty | S/P/F | Description |
|-------|--------------------|-----|-------|---|
| | OEM-190-603 | 1 | S | Grille Guard Bumper Kit Not Shown; (if so equipped); No Illustration Page 20 of 27 |
| | 13AN607H352 (2000) | | | |
| | AF-44055 | 1 | | Bumper Assembly No Illustration |
| | AF-44056 | 1 | | Clevis Pin, .5 x 1 No Illustration |
| | AF-43055 | 1 | S | Internal Cotter Pin No Illustration |
| | AF-44742 | 1 | | Plastic Plug No Illustration |



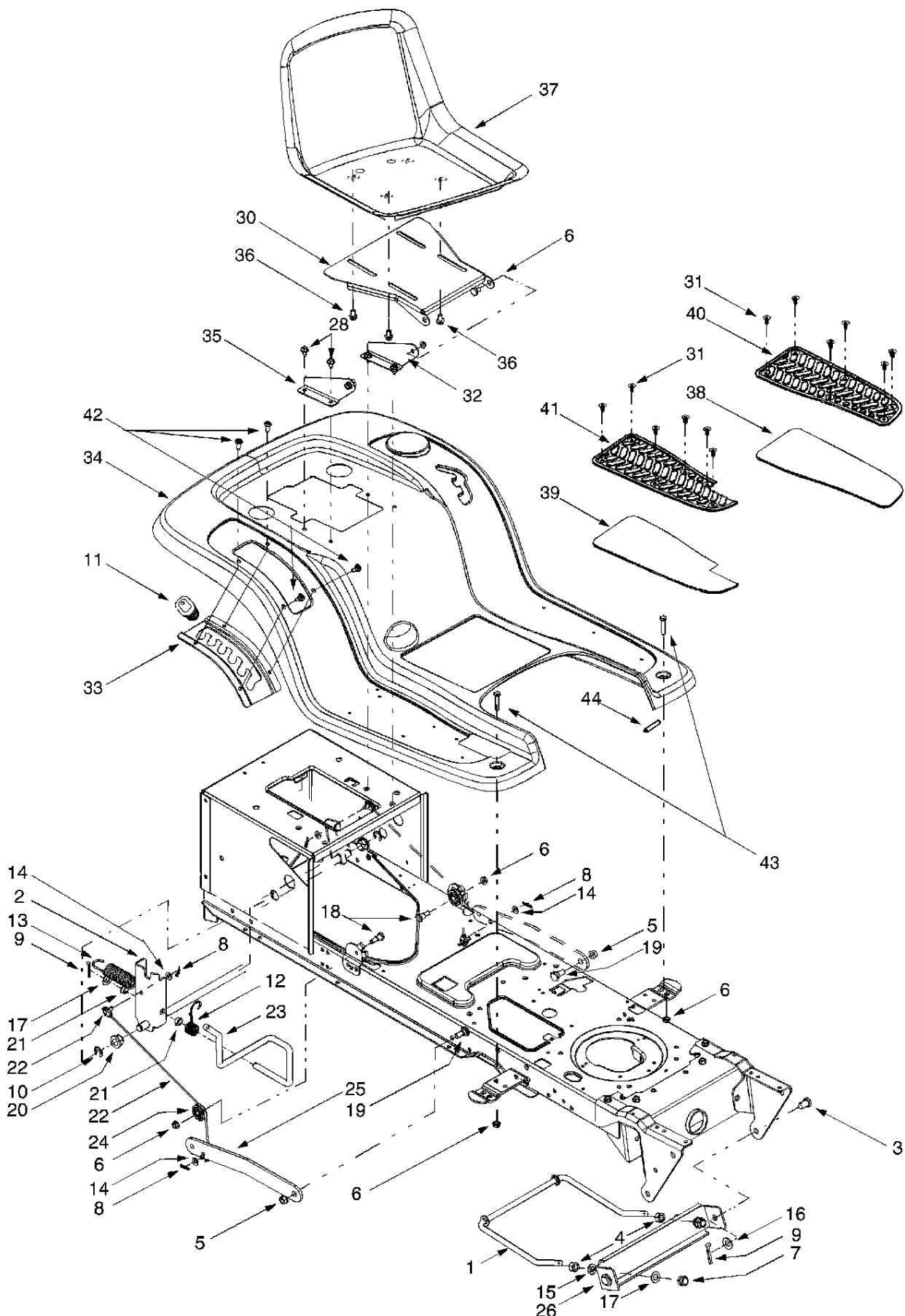
| Ref # | Part Number | Qty | S/P/F | Description |
|-------|-------------|-----|-------|---|
| 1 | 710-0148 | 1 | /P | Self-tapping Screw, #8-32 x .375 |
| 2 | 710-0599 | 1 | /P | Self-tapping Screw, 1/4-20 x .57 |
| 3 | 710-0604A | 1 | /P | Self-tapping Screw, 5/16-18 x .625 |
| 6 | 710-1315 | 1 | /P | Self-tapping Screw, 3/8-16 x 1.25 |
| 7 | 712-3017 | 1 | S | Hex Nut, 3/8-16 |
| 9 | 726-0205 | 1 | /P | Hose Clamp |
| 11 | 736-0300 | 1 | S | Lock Washer, .406 x .875 x .059 |
| 13 | 751-0535 | 1 | | Fuel Line Hose |
| 14 | 751-0564 | 1 | S | Muffler Deflector |
| 15 | 751-0616 | 1 | S | Muffler, Twin Inlet |
| 18 | 751-3140 | 1 | S | Oil Drain Valve |
| 19 | 751-3141 | 1 | S | Oil Drain Hose |
| 20 | 751-3142 | 1 | S | Oil Drain Cap |
| 21 | 783-0615 | 1 | S | Muffler Heat Shield |
| 28 | 712-0271 | 1 | /P | Hex Sems Nut, 1/4-20 (For starter cable) |
| 34 | 746-1086 | 1 | | Throttle Cable (OHV V-Twin & Opposed Twin) |
| 35 | 722-0263 | 1 | S | Foam, .625 x 1.5 x 10 (Fits over fuel line) |
| 36 | 783-0357A | 1 | S | Heat Shield (Opposed Twin) |
| 37 | 710-0751 | 1 | /P | Hex Cap Screw, 1/4-20 x .620 (Grade 5) |
| 38 | 736-0329 | 1 | S | Lock Washer, 1/4 |
| 39 | 721-0346 | 1 | | Exhaust Gasket (Opposed Twin) |
| 40 | 751-0623 | 1 | | LH Exhaust Pipe (Opposed Twin) |
| 41 | 751-0624 | 1 | | RH Exhaust Pipe (Opposed Twin) |
| 42 | 712-0779A | 1 | | Screw, #10-16 x .5 |
| 43 | 726-0272 | 1 | /P | Clamp, 9/16 |

SAFARI H352 (2000) page 22 of 27
Muffler & Engine Accessories B&S Opposed Twin



| Ref # | Part Number | Qty | S/P/F | Description |
|-------|-------------|-----|-------|--|
| 1 | 712-0431 | 1 | S | Flange Lock Nut, 3/8-16 |
| 2 | 732-0996 | 1 | | Compression Spring, 1.31 x 3.0 |
| 3 | 732-0997 | 1 | | Compression Spring, .66 OD x 1.5 |
| 4 | 732-0997 | 1 | | Compression Spring, .66 OD x 1.5 |
| 5 | 710-0604A | 1 | /P | Self-tapping Screw, 5/16-18 x .625 |
| 6 | 710-0751 | 1 | /P | Hex Cap Screw, 1/4-20 x .62 |
| 7 | 712-0271 | 1 | /P | Hex Sems Nut, 1/4-20 |
| 8 | 712-3044 | 1 | S | Wing Nut, 1/4-20 |
| 9 | 725-1706 | 1 | S | 12-volt Battery, 270 CCA |
| 10 | 738-1014 | 1 | | Shoulder Screw, .5 x 1.25, 3/8-16 |
| 11 | 738-1020 | 1 | | Shoulder Screw, .625 x .5, 7/16-20 |
| 12 | 736-0407 | 1 | | Bell Washer, .45 x 1.0 x .062 |
| 13 | 723-0444 | 1 | | Battery Strap |
| 14 | 783-1031 | 1 | | Hitch Plate |
| 15 | 725-1747 | 1 | S | Safety Interlock Plunger Switch |
| 16 | 736-0222 | 1 | S | Lock Washer, 1/4 |
| 17 | 725-1426 | 1 | S | Solenoid, 12-Volt, 100 Amp |
| 18 | 710-0599 | 1 | /P | Self-tapping Screw, 1/4-20 x .5 |
| 19 | 712-0459 | 1 | /P | Flange Lock Nut, 7/16-20 |
| 20 | 683-0304 | 1 | S | Lower Frame Assembly |
| 21 | 736-3010 | 1 | | Flat Washer, .407 x .812 x .135 |
| 22 | 710-0831 | 1 | | Hex Cap Screw, 3/8-16 x 5.5 |
| 23 | 736-0275 | 1 | S | Flat Washer, .344 x .688 x .065 |
| 24 | 732-0944 | 1 | | Extension Spring, .75 x 6.75 INCH |
| 25 | 736-0140 | 1 | S | Flat Washer, .385 x .62 x .063 |
| 26 | 710-0642 | 1 | /P | Self-tapping Screw, 1/4-20 x .750 |
| 27 | 736-0322 | 1 | /P | Flat Washer, .45 x 1.25 x .164 |
| 28 | 712-3004A | 1 | /P | Flange Lock Nut, 5/16-18 |
| 29 | 783-0653C | 1 | S | Steering Support Bracket |
| 30 | 754-0485 | 1 | S | PTO Belt (42-inch Decks w/ Manual PTO) |
| 30 | 754-0486 | 1 | S | PTO Belt (46-inch Decks w/ Manual TO) |
| 31 | 732-0991 | 1 | S | Belt Guard |
| 32 | 732-0990 | 1 | | Belt Guard |
| 33 | 714-0470 | 1 | S | Cotter Pin, 1/8 x 1.25 |
| 34 | 683-0302 | 1 | /P | PTO Engagement Plate |
| 35 | 738-0372 | 1 | S | Shoulder Spacer |
| 36 | 710-3011 | 1 | /P | Hex Cap Screw, 3/8-16 x 2.25 (Grade 5) |
| 37 | 756-0627 | 1 | S | Flat Idler Pulley, 3.5 OD |
| 38 | 783-0349 | 1 | | Battery Tray |
| 39 | 748-0415A | 1 | S | Spacer, 3/8 x 1.54 |
| 40 | 783-0744A | 1 | | Engagement Stop Bracket |
| 41 | 712-0229 | 1 | | Push Nut, 3/8 |
| 42 | 736-0105 | 1 | /P | Bell Washer, .401 x .870 x .063 |
| 43 | 710-0376 | 1 | /P | Hex Cap Screw, 5/16-18 x 1.0 |
| 44 | 712-3006 | 1 | /P | Hex Nut, 1/4-20 |
| 45 | 736-0119 | 1 | S | Lock Washer, 5/16 |
| 46 | 710-3029 | 1 | /P | Hex Cap Screw, 7/16-20 x 1.25 |
| 47 | 736-0171 | 1 | S | Lock Washer, 7/16 |
| 48 | 750-0956 | 1 | | Spacer |
| 49 | 756-0982A | 1 | S | Engine Pulley |
| 50 | 732-0735 | 1 | /P | Extension Spring, 1.318 x 2.37 |
| 51 | 647-0053 | 1 | S | Belt Guard |
| 52 | 711-1044 | 1 | S | Keeper Pin |
| 53 | 731-2111A | 1 | S | PTO Knob |

| Ref # | Part Number | Qty | S/P/F | Description |
|-------|-------------|-----|-------|-------------------------------------|
| 54 | 736-0108 | 1 | S | Flat Washer, .510 x .750 x .033 |
| 55 | 747-1112A | 1 | S | PTO Handle |
| 56 | 647-8046 | 1 | S | PTO Lever |
| 57 | 710-0650 | 1 | /P | Self-Tapping Screw, 15/16-18 x .875 |
| 58 | 732-0995 | 1 | | Extension Spring, .5 x 6.0 |
| 59 | 741-0708 | 1 | | Hex Split Flange Bearing |



| Ref # | Part Number | Qty | S/P/F | Description |
|-------|-------------|-----|-------|---|
| 1 | 747-1130 | 1 | S | Deck Stabilizer Rod |
| 2 | 683-0187 | 1 | S | Lift Shaft Assembly |
| 3 | 711-0382 | 1 | S | Clevis Pin, .5 x .78 |
| ?4 | 712-0206 | 1 | S | Hex Nut, 1/2-13 |
| 5 | 712-0431 | 1 | S | Flange Lock Nut, 3/8-16 |
| 6 | 712-3004A | 1 | /P | Flange Lock Nut, 5/16-18 |
| 7 | 712-3083 | 1 | /P | Hex Nut, 1/2-13 |
| 8 | 714-0104 | 1 | S | Internal Cotter Pin |
| 9 | 714-0111 | 1 | S | Cotter Pin |
| 10 | 716-0106 | 1 | /P | E-ring |
| 11 | 720-0311 | 1 | | Handle Grip |
| 12 | 732-0874 | 1 | | Torsion Spring |
| 13 | 732-0934 | 1 | | Lift-assist Spring, 1.15 x 5.99 (Found on Units w/ 46-inch Deck Only) |
| 14 | 736-0275 | 1 | S | Flat Washer, 5/16 |
| 15 | 736-0921 | 1 | S | Lock Washer, 1/2 |
| 16 | 736-3019 | 1 | | Flat Washer, .31 x 1.062 x .134 |
| 17 | 736-3084 | 1 | /P | Flat Washer, .51 x 1.12 x .06 |
| 18 | 738-0138 | 1 | S | Hex Cap Screw, 5/16-18 x .62 |
| 19 | 738-0380 | 1 | S | Shoulder Screw, .5 x .27, 3/8-16 |
| 20 | 741-0225 | 1 | S | Hex Flange Bearing |
| 21 | 741-0715 | 1 | S | Snap Flange Bearing |
| 22 | 746-0968 | 1 | | Lift Cable, 16.16 |
| 23 | 747-1111 | 1 | S | Lift Handle |
| 24 | 756-1154 | 1 | | Roller Pulley |
| 25 | 783-0678 | 1 | S | Arm Lift |
| 26 | 783-0720A | 1 | /P | Deck Stabilizer Bracket |
| ?27 | 710-0260 | 1 | S | Carriage Bolt, 5/16-18 x .62 |
| 28 | 710-0604A | 1 | /P | Self-tapping Screw, 5/16-18 x .625 |
| ?29 | 710-0895 | 1 | | Self-tapping Screw, 1/4-15 x .75 |
| 30 | 783-0740 | 1 | | Seat Pivot Bracket |
| 31 | 726-3046 | 1 | /P | Foot Pad Clips |
| 32 | 738-0155 | 1 | S | Shoulder Screw, .437 x 1.62 |
| 33 | 783-1010 | 1 | S | Lift Adjustment Bracket |
| 34 | 783-0839 | 1 | | Fender |
| 35 | 783-0715 | 1 | S | Seat Mounting Bracket |
| 36 | 710-0870 | 1 | /P | Hex Washer Head Screw, 3/8-16 x .625 |
| 37 | 757-0360A | 1 | S | Seat, Medium Back |
| | 757-0348A | 1 | /P | Seat, High Back (If so equipped) |
| | 757-0350 | 1 | S | Seat, High Back w/ Drain Holes (If so equipped) |
| 38 | 723-0483 | 1 | | LH Abrasive Foot Pad |
| 39 | 723-0484 | 1 | | RH Abrasive Foot Pad |
| 40 | 735-0657 | 1 | | LH Rubber Foot Pad (If so equipped) |
| 41 | 735-0656 | 1 | | RH Rubber Foot Pad (If so equipped) |
| 42 | 710-1611 | 1 | S | Self-tapping Screw, 5/16-18 x .75 |
| 43 | 710-0260 | 1 | S | Hex Cap Screw, 5/16-18 x .62 |
| 44 | 731-0511-5 | 1 | | Trim Strip, 1.5 |