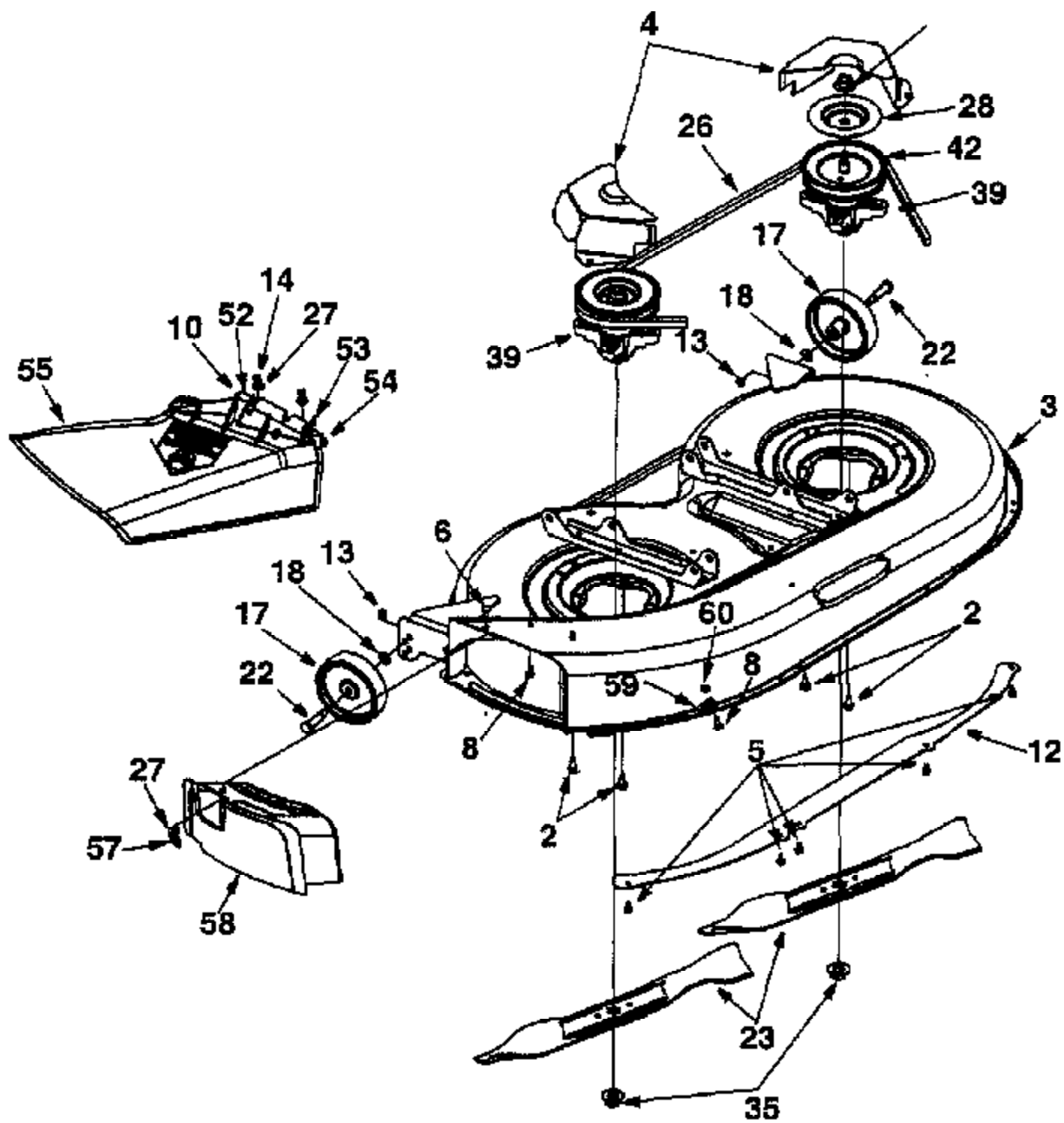
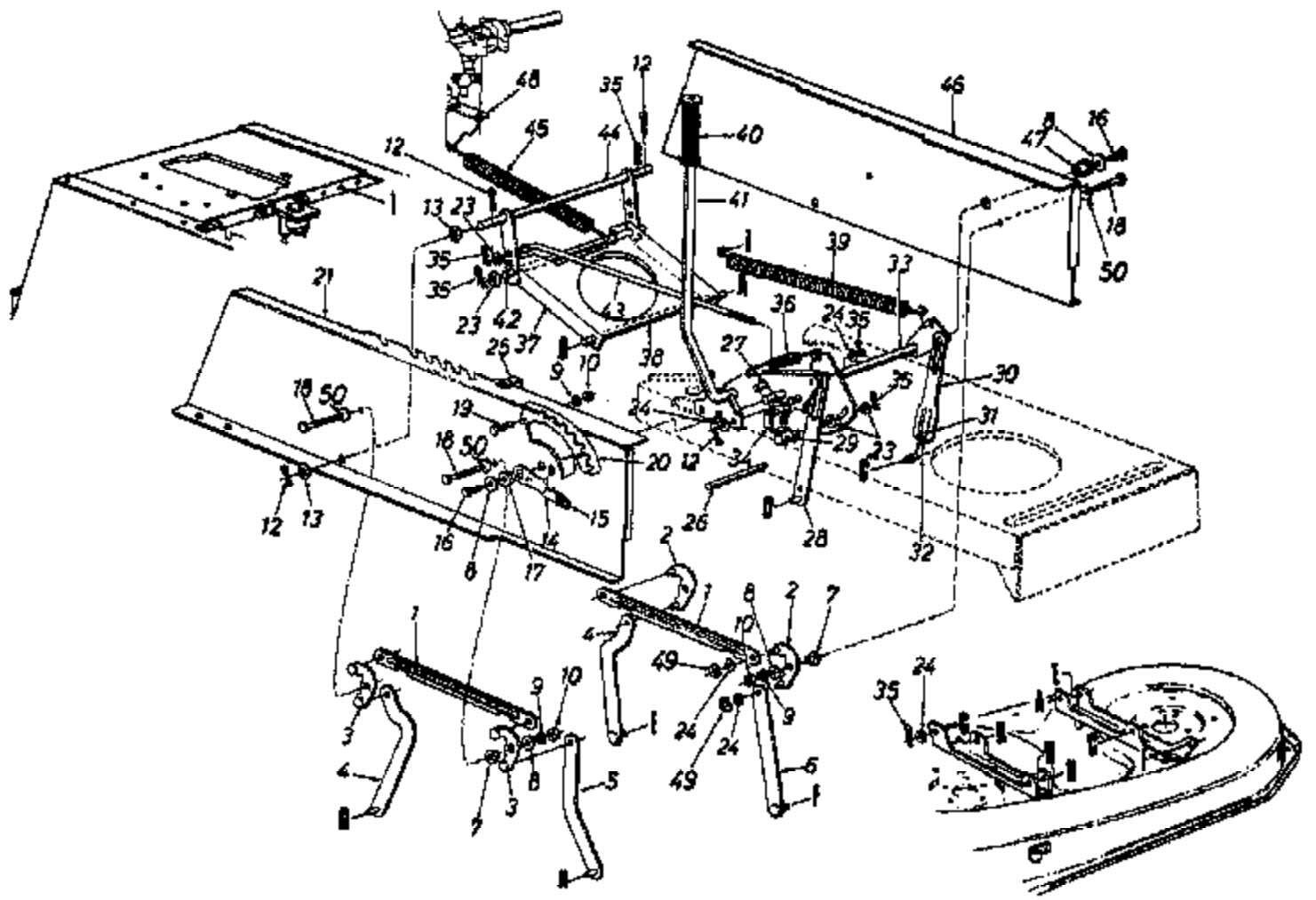


Ref #	Part Number	Qty	Description
1	731-0220		Steering Wheel Cap
	731-1459A		Steering Wheel Cap (Sq.-MTD)
	731-1460		Steering Wheel Cap (Sq.-No logo)
2	710-0643		Hex Bolt 5/16-18 x 1" Lg.
3	736-0242		Belleville Wash. .345" I.D.
4	731-1693		Steering Wheel (3 Spoke) Uses Round Steering Wheel Cap
	731-1687		Steering Wheel (3 Spoke) Uses Square Steering Wheel Cap
	631-0027		Steering Wheel (4 Spoke)
5	731-0559A		Steering Bellow-4.5" (Style A)
	731-0954		Steering Bellow-9" (Style 0, 1, 3, 4, 5, 6, 8, 9)
	731-1542		Steering Bellow-3.25" (Style 7)
6	712-0240		Hex Jam Nut 7/16-20 Thd.
7	741-0587	13AM675G062 (2006) 2 of 43	Flange Bearing .628" I.D. x 1.36 O.D.
8	723-0448	Axle & Wheel Front Steering	Ball Joint 7/16-20 Thd.
9	17198A		Retainer Plate
10	738-0141		Shoulder Bolt .437 x .35 Lg. 5/16-18
11	710-0152		Hex Bolt 3/8-24 x 1.0" Lg. (Gr. 5)
13	750-0535		Spacer .380" I.D. x .625" O.D. x
14	736-0217		L-Wash. 3/8" I.D. (H.D.)
15	710-0726		Hex Wash. Hd. Self-Tap Scr.
16	711-1107		Steering Drag Link
17	783-0041B		Front Pivot Brkt.
18	738-0527		Shoulder Bolt
19	712-0431		Flanged L-Nut 3/8-16 Thd. Purchase locally
21	712-0411		Hex L-Nut 5/16-24 Thd.
22	16481A		Steering Arm Front Axle
23	710-0593		Hex Bolt 5/16-24 x 2.25" Lg.
24	741-0659		Hex Flg. Brg. .632 I.D.
25	683-0128A		Pivot Bar Ass'y. (Steel)
	719-0342A		Pivot Bar Ass'y. (Cast Iron)
	737-0212A		Grease Plug 15" X 6" (Round & Square Shoulder)
26	683-0127		Front Axle Ass'y-L.H. 15" X 6" (Round & Square Shoulder)
26	683-0124		Front Axle Ass'y-L.H. (46" Deck) 15" X 6" (Round & Square Shoulder)
27	712-0241		Hex Nut 3/8-24 Thd. Purchase locally
28	736-0169		L-Wash. 3/8" I.D. Purchase locally
29	723-3018		Ball Joint 3/8-24 Thd.
30	747-0753		Tie Rod (Adjustable)
	747-0861		Tie Rod (Non-Adjustable)
31	712-0711		Hex Jam Nut 3/8-24 Thd. Purchase locally
32	683-0126		Front Axle Ass'y-R.H. 15" X 6" (Round & Square Shoulder)
32	683-0125		Front Axle Ass'y-R.H. (46" Deck) 15" X 6" (Round & Square Shoulder)
33	634-0056A		Wheel Ass'y comp. 15" X 6" (Round Shoulder)
33	634-0105A		Wheel Ass'y comp. 15" X 6" (Square Shoulder)
	734-0864		Tire Only 15" X 6" (Round Shoulder)
	734-1731		Tire Only 15" X 6" (Square Shoulder)
	634-0024		Rim Only 15" X 6" (Round & Square Shoulder)
	741-0487A		Bearing 15" X 6" (Round & Square Shoulder)
	734-0255		Air Valve 15" X 6" (Round & Square Shoulder)
34	634-0024		Rim Only 15" X 6" (Round & Square Shoulder)
35	741-0487A		Bearing 15" X 6" (Round & Square Shoulder)
36	736-0285		FI-Wash 635 I.D. x 1.59" O.D.
37	731-0484A		Front Wheel Hub Cap
	731-1787A		Spoked Hub Cap (Yellow-Opt.)

Ref #	Part Number	Qty	Description
	734-1613A		Spoked Hub Cap (Gray-Opt.)
	734-1612A		Spoked Hub Cap (Beige-Opt.)
38	714-0470		Cotter Pin 1/8" Dia. x 1.25"
39	736-0162		FI-Wash. .640" I.D. x 1.24" O.D.
40	726-0214		Push Cap 5/8" Dia. Rod
42	712-0262		Hex Jam Nut 3/8-24 Thd.
43	710-1309		Hex Patch Bolt 5/16-18 x .62"
44			UNKNOWN
46	748-0389		Cap
47	712-0214		Hex Cent. L-Nut 3/8-24 Thd.
48	736-0169		L-Wash. 3/8" I.D.
49	712-0158		Hex Cent. L-Nut 5/16-18 Thd.
50	736-0119	13AM675G062 (2008) of 48	L-Wash. 5/16" I.D.
51	717-0622A	Axle & Wheels Front Steering	Steering Gear Segment
52	741-0656		Hex Fig. Brg. .634 I.D.
53	736-0187		FI-Wash. (Hardened)
54	738-0919		Steering Shaft
57	710-0837		Oval Hd. Cr.-Sunk Scr. (Style A)
58	736-3081		Wave-Wash. .32" I.D. x .60" O.D.
59	736-0187		FI-Wash. (Hardened)
60	723-0448		Drag Link Ball Joint 7/16-20 Thd.
61			UNKNOWN
63	727-0425A		Spring Clip (Used w/Spoked Hub Cap)
64	736-0356		Bell-Wash. .39" I.D. x 1.38" O.D.
65	731-1291A		Pivot Bar End Cap (Optional)
66	710-0459		Hex Bolt 3/8-24 x 1.5" Lg. (Gr. 5)
69	731-1649		Axle Cap
70	731-0955		Steering Wheel Insert (Optional)

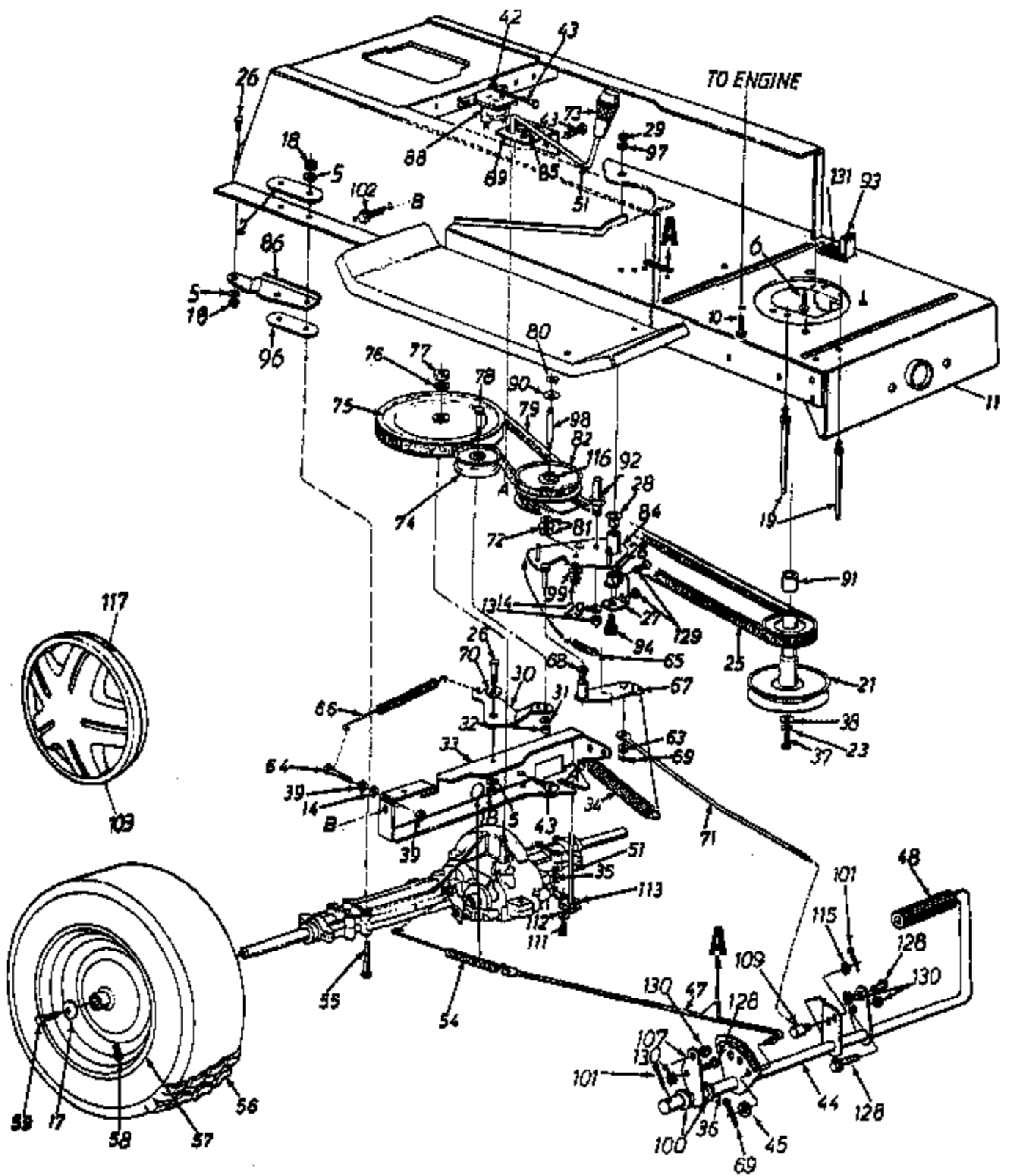


Ref #	Part Number	Qty	Description
2	710-1260A		Hex Wash. TT-Tap Scr. 5/16-18 x .75"
3	683-0141B		42" Deck Ass'y.
	753-0698		42" Deck Ass'y. Comp. (For Service)
4	783-0149B		Belt Guard Deck
5	710-0599		Hex Wash. Hd. TT-Tap Screw 1/4-20 Thd.
6	710-0134		Carriage Screw 1/4-20 Thd.
8	710-0751		Hex Bolt 1/4-20 x .62"
10	711-0792		Hinge Pin
12	783-1146A		Deck Skirt 42"
13	712-0181		Hex Top L-Nut 3/8-16 Thd.
14	712-3006		Hex Nut 1/4-20 Thd. (Gr. 5)
17	734-0973		Deck Wheel-5"
18	736-0105	13AM675G062 (2009 5 of 43)	Bell Wash. .40 I.D. x .88" O.D.
22	738-0373	Deck Assembly "G"	Std. Bolt .498" Dia. x 1.53"
23	742-0616		3 in 1 Blade
26	754-0371A		V-Belt
27	736-0270		Bell-Wash. 1/4" I.D.
28	783-0342		Brake Disc
35	712-0417A		Hex Flange Nut 5/8-18 Thd.
39	618-0142A		Blade Spindle Ass'y. (Incl. Ref. 28, 35, 42)
42	756-0980		5.75" Dia. Pulley
52	703-1693A		Hinge Mtg. Brkt.
53	732-0602A		Torsion Spring
54	726-0106		Push Nut
55	731-1032B		Chute Ass'y. (Incl. Ref.10, 52, 53, 54, 55)
57	712-3087		Wing Nut 1/4-20 Thd. Optional
58	731-2363		Mulching Plug Optional
59	16606		Retainer Hook Brkt.
60	712-3027		Hex Flange Nut 1/4-20 Thd.



Ref #	Part Number	Qty	Description
1	783-0103		Connecting Rod
2	683-0029A		Pivot Link Ass'y.-L.H.
3	683-0028A		Pivot Link Ass'y.-R.H.
4	17710		Deck Hanger Link Ass'y.
5	14800A		Deck Hanger Link Ass'y.
6	14804A		Deck Hanger Link Ass'y.
7	748-0331		Shld. Spacer .318" I.D.
8	736-0231		FI-Wash. .344" I.D. x 1.125" O.D.
9	736-0119		L-Wash. 5/16" I.D.
10	712-3004A		Flange Lock Nut 5/16-18 Thd. (Gr. 5)
12	714-0470		Cotter Pin 1/8" Dia.
13	736-0256		FI-Wash. .635" I.D. x 1.0" O.D.
14	683-0003		Flt. Rep. Stop Lever Ass'y. (Incl. #15); Optional
15	08540		Deck Lift & Hanger Assembly
16	710-0604A		Hex Wash. TT-Tap Scr. 5/16-18 x .75"
17	748-0176		Flange Brg. .63" I.D.
18	710-1238		Hex Wash. Hd. Scr. 5/16-18 x .875" Lg.
19	710-3008		Hex Bolt 5/16-18 x .75" Lg.
20	17730		Index Brkt.
21	783-0042D		Upper Frame-R.H.
23	736-0267		FI-Wash. .385" I.D. x .87" O.D.
24	736-0160		FI-Wash. .531" I.D. x .93" O.D.
25	726-0272		Clamp
26	738-0526		Running Board Rod
27	710-3007		Hex Wash. Hd. Tap Scr.
28	14802A		Link Deck Lift Ass'y.
29	711-0723A		Adj. Ferrule 3/8-24 Thd.
30	17712		Adj. Deck Lift Link
31	712-3066		Hex Nut 1/2-20 Thd. (Gr. 5)
32	711-0841		Lift Link Adjuster
33	17637A		Lift Shaft Ass'y.
34	725-1657A		Safety Switch (Deck)
35	714-0145		Inter. Cotter Pin 3/8" Dia.
36	732-0637		Extension Spring
37	17636D		Stabilizer Bracket
38	738-0670A		Shaft 1/2" Dia. x 10.28" Lg.
39	732-0638		Extension Spring
40	720-0233		Grip (Lift Handle)
41	97675A		Deck Lift Handle Ass'y.
42	747-1283		Shaft 3/8" Dia. x 9.34" Lg.
43	747-0598		Disengagement Rod
44	97624		Stabilizer Shaft Ass'y.
45	732-0556		Extension Spring 7.58" Lg.
46	783-0043A		Upper Frame-L.H.
47	741-0313		Flange Brg. .632" I.D.
48	17128A		Spring Retainer Brkt.
49	716-0104		"E"-Ring
50	736-0425		Bell-Wash. .325" I.D.

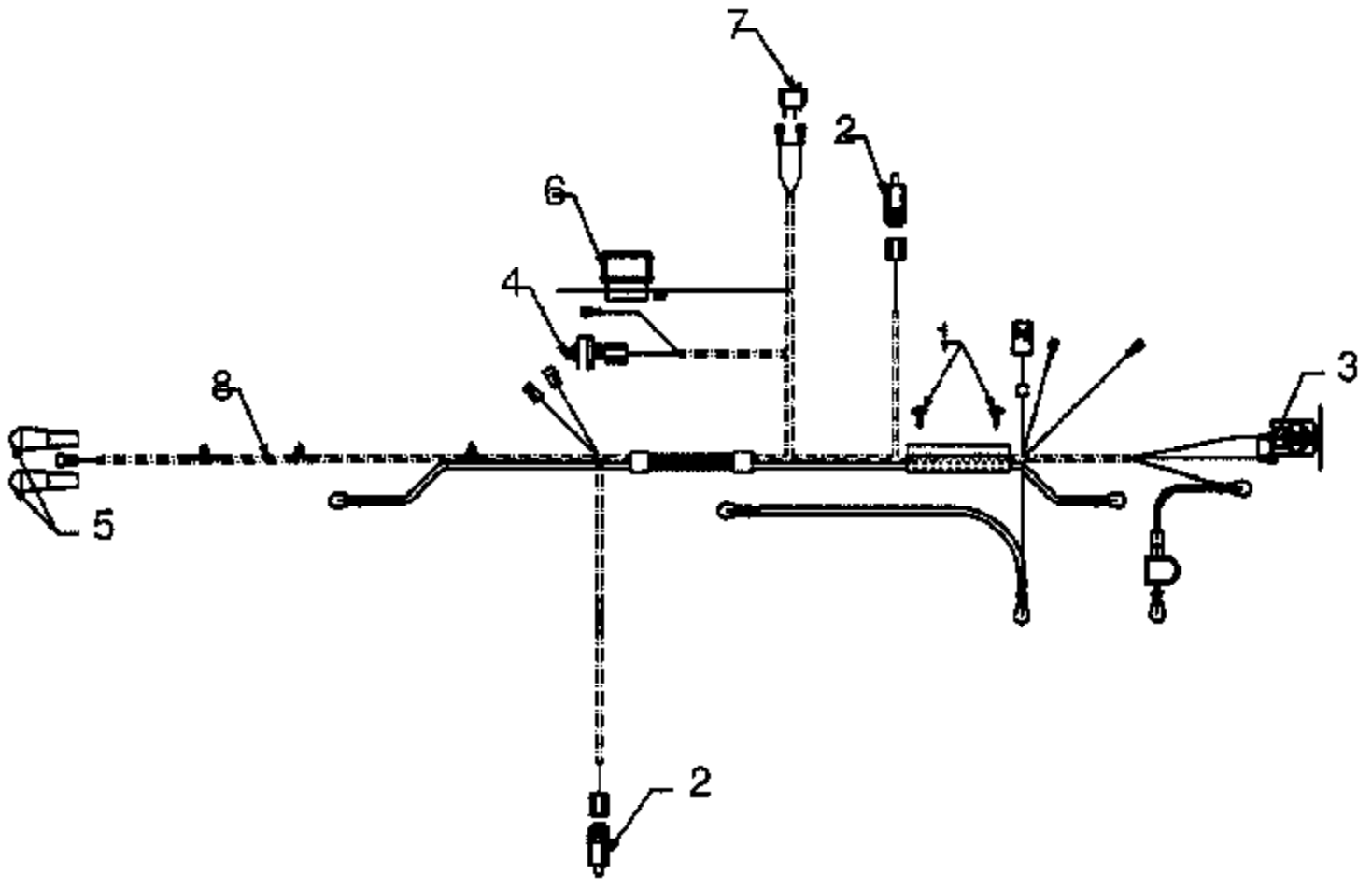
13AM675G062 (Page 7 of 43)
 Deck Lift & Hanger Assembly



Ref #	Part Number	Qty	Description
2	17840		Transaxle Mtg. Brkt.
5	736-0119		L-Wash. 5/16" I.D. Purchase locally
6	710-0599		Self-Tap Screw 1/4 x .50
10	710-1315		Hex TT-Tap Scr. 3/8-16 x 1.5" Lg.
11	783-0310E		Lower Frame Ass'y.
13	712-3006		Hex Nut 1/4-20 Thd. (Gr. 5)
14	736-0329		L-Wash. 1/4" I.D. Purchase locally
17	736-0242		Bell-Wash 345" I.D. x .88"
18	712-3010		Hex Nut 5/16-18 Thd. (Gr. 5)
19	711-1044		Belt Guard Stud 4.75" Lg.
21	756-0982		Engine Pulley
22	736-0322		FI-Wash. 7/16" I.D. x 1.25"
23	736-0171	13AM675G06 (2006) of 43	L-Wash. 7/16" I.D. Purchase locally
24	710-0757	Drive, Wheels, Reas	Hex Bolt 7/16-20 x 1.50" Lg.
25	754-0280A		Variable-Speed Belt
26	710-3008		Hex Bolt 5/16-18 x .75" Lg.
27	17963		Bearing Shaft Bracket Ass'y.
28	741-0495		Flanged Nyliner Brg. 5/8" I.D. x .88" Lg.
29	712-0241		Hex Nut 3/8-24 Thd. Purchase locally
30	17643		Idler Bracket (Used w/20" Wheels w/o 46" Deck)
	17694		Idler Bracket (Used w/46" Deck)
31	736-0169		L-Wash. 3/8" I.D. Purchase locally
32	712-0241		Hex Nut 3/8-24 Thd. Purchase locally
33	17629A		Transaxle Support Brkt.
34	732-0556		Ext. Spring .94" O.D. x 7.58"
35	714-0149B		Inter. Cotter Pin
36	750-0802		Spacer .63" I.D.
37	710-3029		CAP SCREW 7/16-20 X 1.25
38	736-0322		FIAT WASHER .450
39	712-0138		Hex Nut 1/4-28 Thd.
40	710-0776		Hex AB-Tap Scr. 1/4" x .62" Lg.
42	736-0222		Ext. L-Wash. 1/4" I.D.
43	710-0599		Hex Wash. S-Tap Scr. 1/4-20 x .50" Lg.
44	683-0123		Clutch/Brake Pedal Ass'y.
45	736-0140		FI-Wash. .344" I.D. x .62"
47	747-0755A		Brake Rod Ass'y.
48	735-0196		Foot Pad
51	17705		Shift Lever Ass'y.
54	732-0413		Ext. Spring .59" O.D. x 7.08" (Used w/ 20" Wheels w/o 46"Deck)
	732-0642		Ext. Spring 7.33" Lg. (Used w/46" Deck)
55	710-1068		Hex Bolt 5/16-18 x 3.5" Lg. (Used w/46" Deck)
	710-0189		Hex Bolt 5/16-18 x 3" Lg. (Used w/20" Wheels w/o 46" Deck); Purchase locally
56	734-1675		Wheel Ass'y. Comp. 20" x 8.0" (Round Shoulder)
56	634-0104		Wheel Ass'y. Comp. 20" x 8.0" (Square Shoulder)
	734-1596		Tire Only 20" x 8.0" (Round Shoulder)
	734-1730		Tire Only 20" x 8.0" (Square Shoulder)
57	634-0070		Rim Only 20" x 8.0" (Round & Square Shoulder)
58	734-0255		Air Valve (Service Only)
59	710-0627		Hex Bolt 5/16-24 x .75" Lg. Purchase locally
63	736-0275		FI-Wash. .34" I.D. x .68" O.D.
64	710-0428		Hex Bolt 1/4-28 x 1.25" Lg. Purchase locally
65	732-0568		Ext. Spring
66	732-0384		Ext. Spring .62" O.D. x 6.12"

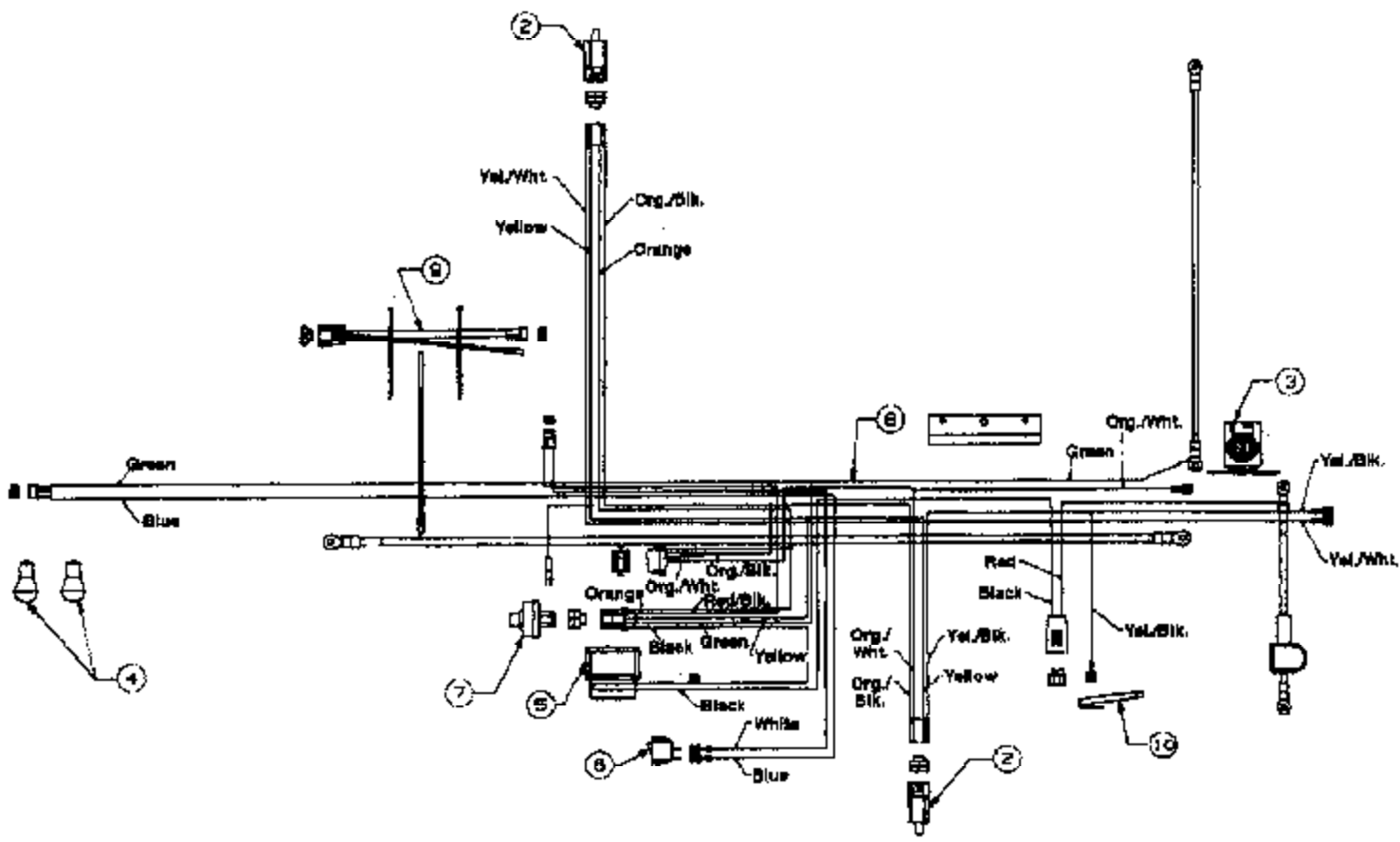
Ref #	Part Number	Qty	Description
67	16554A		Variable Speed Torque Brkt. Ass'y.
68	741-0419		Flanged Bearing
69	714-0111		Cotter Pin 3/32" Dia. Purchase locally
70	748-0234		Shoulder Spacer .27" Lg.
71	747-0530A		Speed Control Link
72	741-0405		Truss Bearing .56 Dia. x 1.25"
73	720-0232		Shift Knob
74	756-0643		FI-Idler Pulley 3.12" Dia.
75	656-0005		"V" Pulley (Used w/46" Deck)
	656-0004		"V" Pulley (Used w/20" Wheels w/o 46" Deck)
76	736-0427		Bell-Wash. .56" I.D. x 1.125"
77	712-3035		Hex Jam Nut 5/16-18 Thd.
78	710-0539		Hex Bolt 3/8-24 x 1.75" Lg.
79	754-0370		Variable Speed Belt
80	716-0114		Snap Ring .56" Dia.
81	736-0355		FI-Wash.
82	717-0800A		Variable Speed Pulley Ass'y.
84	16354B		Variable Speed Brkt. Ass'y.
85	732-0525		Comp. Spring-Clip
86	17668		Axle Support Brkt.-R.H.
	17669		Axle Support Brkt.-L.H. (Not Shown)
88	725-1426		Solenoid
89	17630		Shift Lever Bracket
90	736-0414		Teflon Washer .565" I.D.
91	750-0956		Spacer 1" I.D. x 1.25" Lg.
92	711-1000		Belt Keeper 3" Lg.
93	725-1657A		Safety Switch (Clutch)
94	738-0755		Shld. Bolt 3/8-24 x 3.12" Lg.
96	748-0334		Transaxle Spacer (Use with 18" Wheel Or 46" Deck)
97	736-0105		Bell-Wash. .38" I.D. x .88"
98	738-0569		Shaft .56" Dia. x 3.875" Lg.
99	736-0331		Bell-Wash. .39" I.D. x 1.12"
100	736-0256		FI-Wash. .64" I.D. x .94"
101	714-0470		Cotter Pin 1/8" Dia. x 1.25"
102	710-0604A		Hex Wash. Hd. Scr. 5/16-18 x .62"
103	734-1615A		Hub Cap (Gray) (Optional)
	734-1614A		Hub Cap (Beige) (Optional)
	734-1788A		Hub Cap (Yellow) (Optional)
107	17860		Pedal Bracket
109	711-0198		Ferrule
111	710-0195		Hex Bolt 1/4-28 x .50" Lg.
112	736-0270		Bell-Wash. .265" I.D. x .75"
113	17707		Shift Lever Link Ass'y.
115	736-0140		FI-Wash. .385" I.D. x .62"
116	741-0404		Needle Brgs. (2 Req'd.)
117	727-0425A		Spring Clip (Used w/Ref. No. 103)
128	710-1238		Hex Wash. TT-Tap Scr. 5/16-18x .75"
129	710-0726		Hex Wash. AB-Tap Scr. 5/16-18x .75"
130	712-0265		Hex Sems Nut 5/16-18 Thd.
131	732-0750		Spring Switch

13AM675G062 Page 10 of 43
 Drive, Wheels, Rear



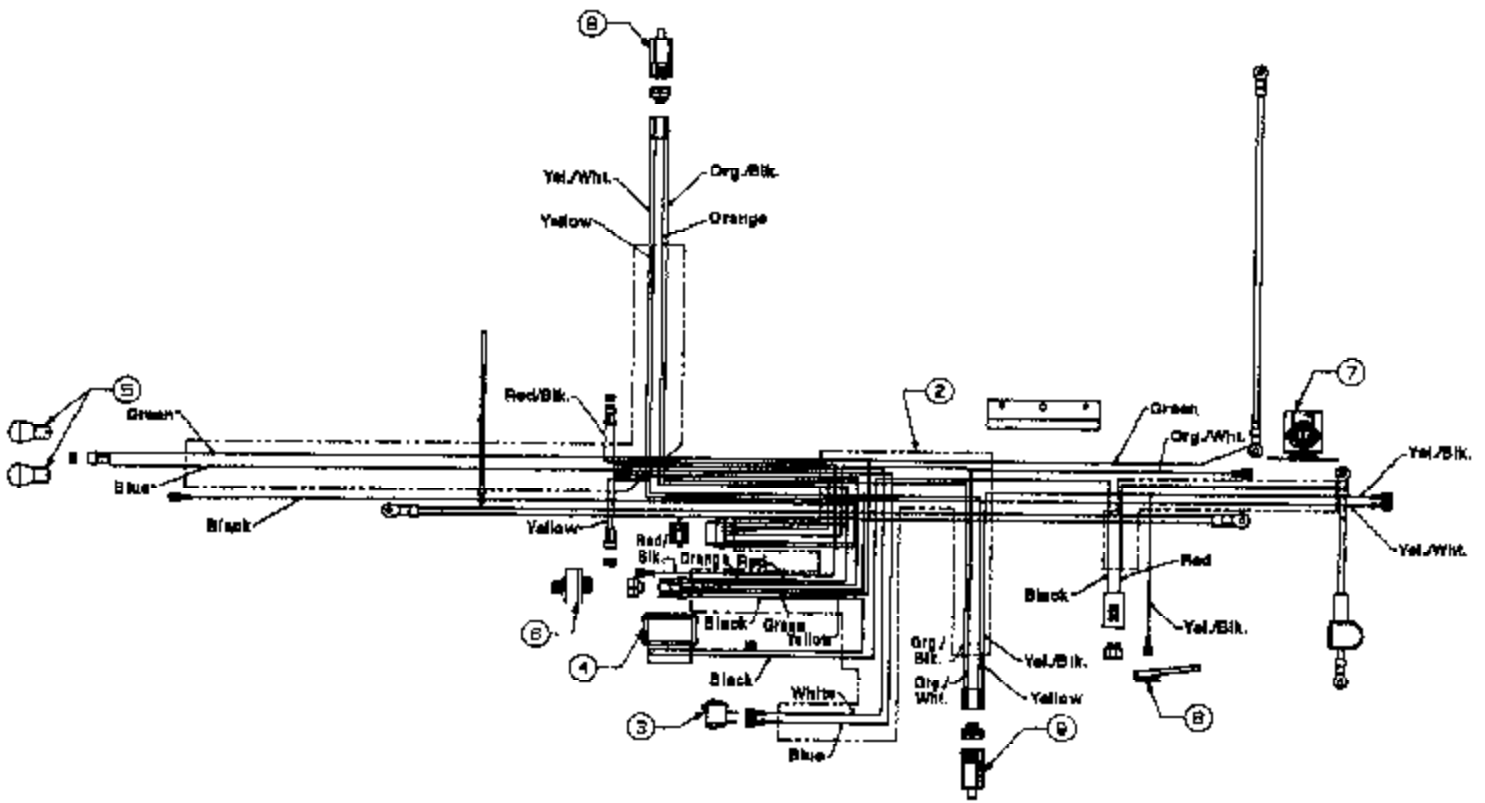
Ref #	Part Number	Qty	Description
1			UNKNOWN
2	725-1657A		Safety Switch
3	725-1426		Solenoid
4	725-1396		Ignition Switch
5	725-0963		Bulb (Headlight)
6	725-0925		Ammeter
7	725-0634		Light Switch
8	629-0305D		Wire Harness w/Lt./Amp
	629-0306D		Wire Harness w/Lt./Amp/Mon.

13AM675G062 Page 12 of 43
Electrical (Intek Twin)



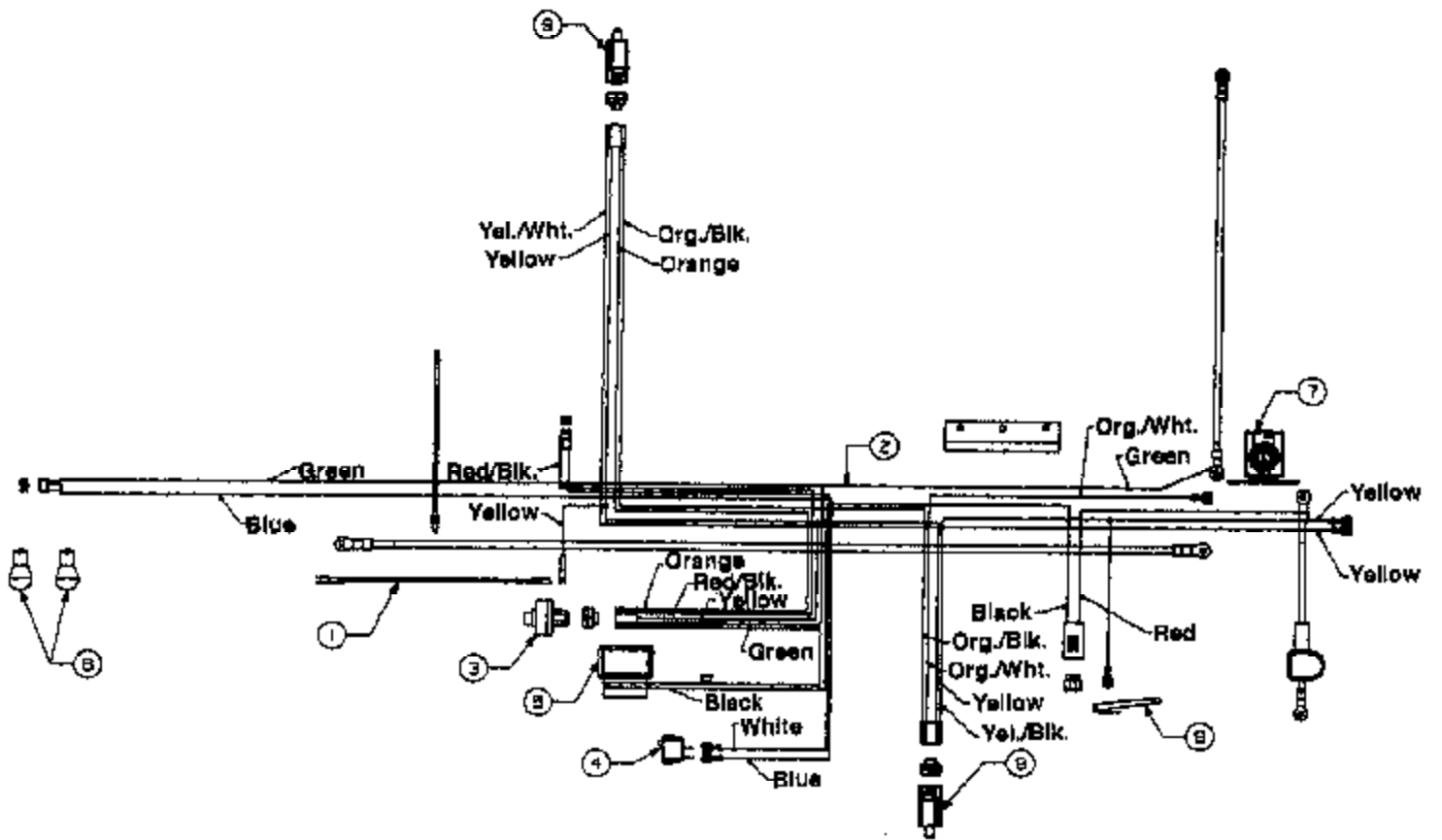
Ref #	Part Number	Qty	Description
1	726-3046		Ratchet
2	725-1657A		Safety Switch
3	725-1426		Solenoid
4	725-0963		Bulb (Headlight)
5	725-0925		Ammeter
6	725-0634		Light Switch
7	725-0267		Ignition Switch
8	629-0303D		Wire Harness
9	629-0209		Wire Harness Adapter
10	629-0132		Wire Harness (Monitor)

13AM675G062 (2001) 14 of 43
Electrical (Kohler)



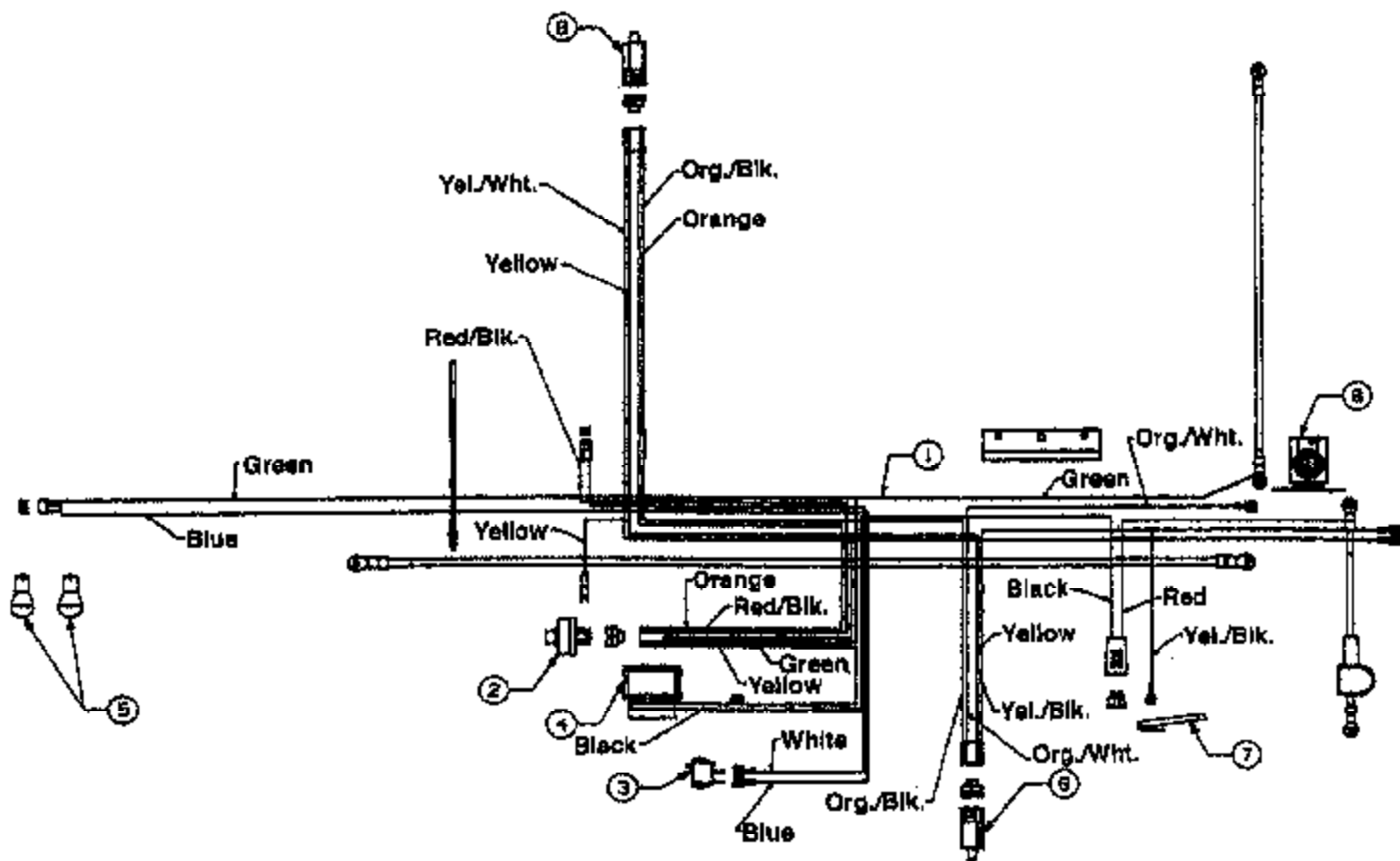
Ref #	Part Number	Qty	Description
2	629-0305D		Wire Harness w/Light Switch and Amp
	629-0304D		Wire Harness w/o Light Switch and Am
3	725-0634		Light Switch (Optional)
4	725-0925		Ammeter (Optional)
5	725-0963		Bulb (Headlight)
6	725-1396		Ignition Switch
7	725-1426		Solenoid
8	725-1643		Safety Switch (Reverse)
9	725-1657A		Safety Switch

13AM675G062 (2001) 16 of 43
 Electrical (Over Head Valve)



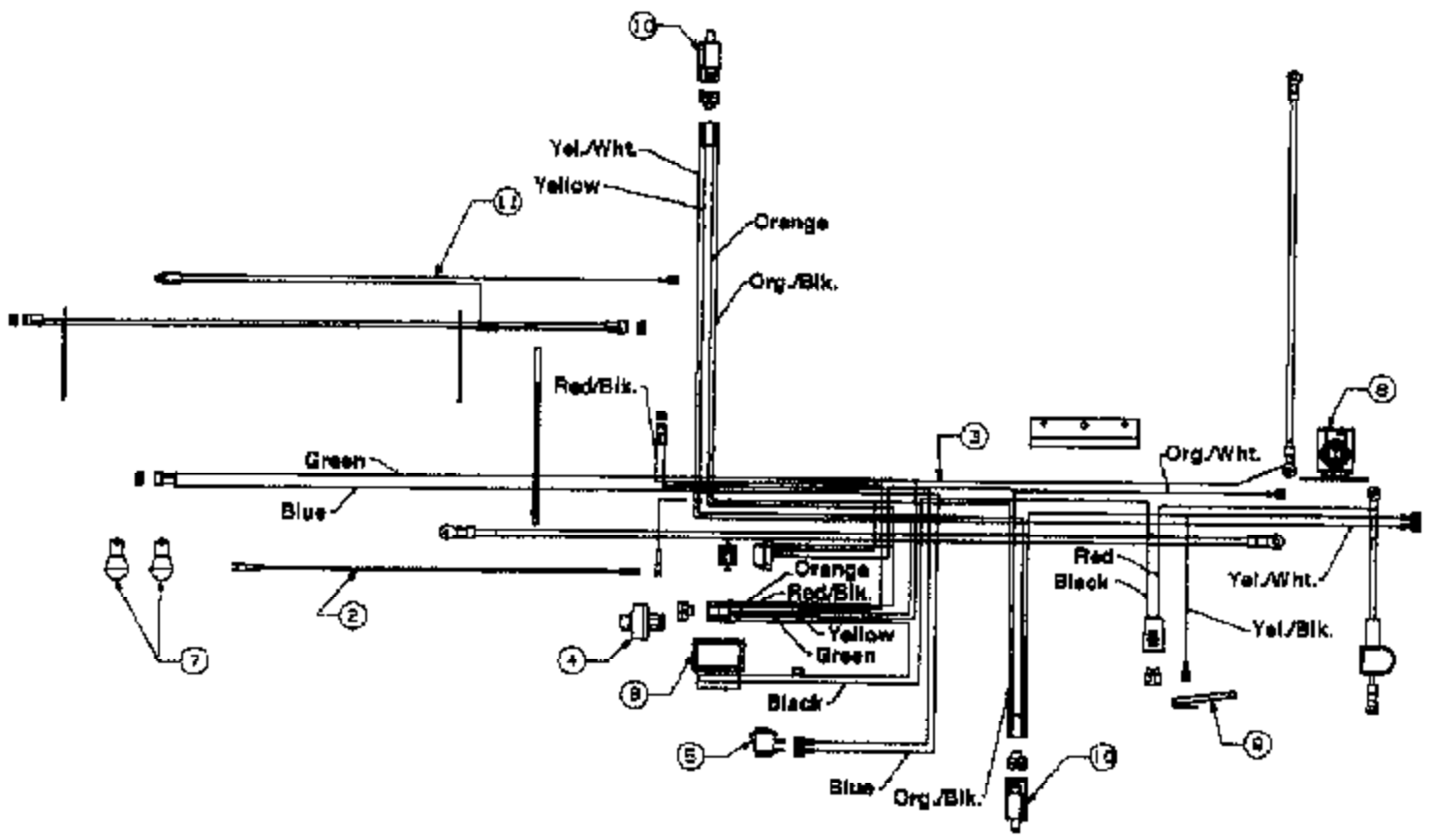
Ref #	Part Number	Qty	Description
1	629-0207		Harness Adapter (Mag.)
2	629-0302D		Wire Harness w/Light Switch and Amp
	629-0301D		Wire Harness w/o Light Switch and Amp
3	725-0267		Ignition Switch
4	725-0634		Light Switch (Optional)
5	725-0925		Ammeter (Optional)
6	725-0963		Bulb (Headlight)
7	725-1426		Solenoid
8	725-1643		Safety Switch (Reverse)
9	725-1657A		Safety Switch

13AM675G062 (2001) 18 of 43
 Electrical (Single Cylinder Bri



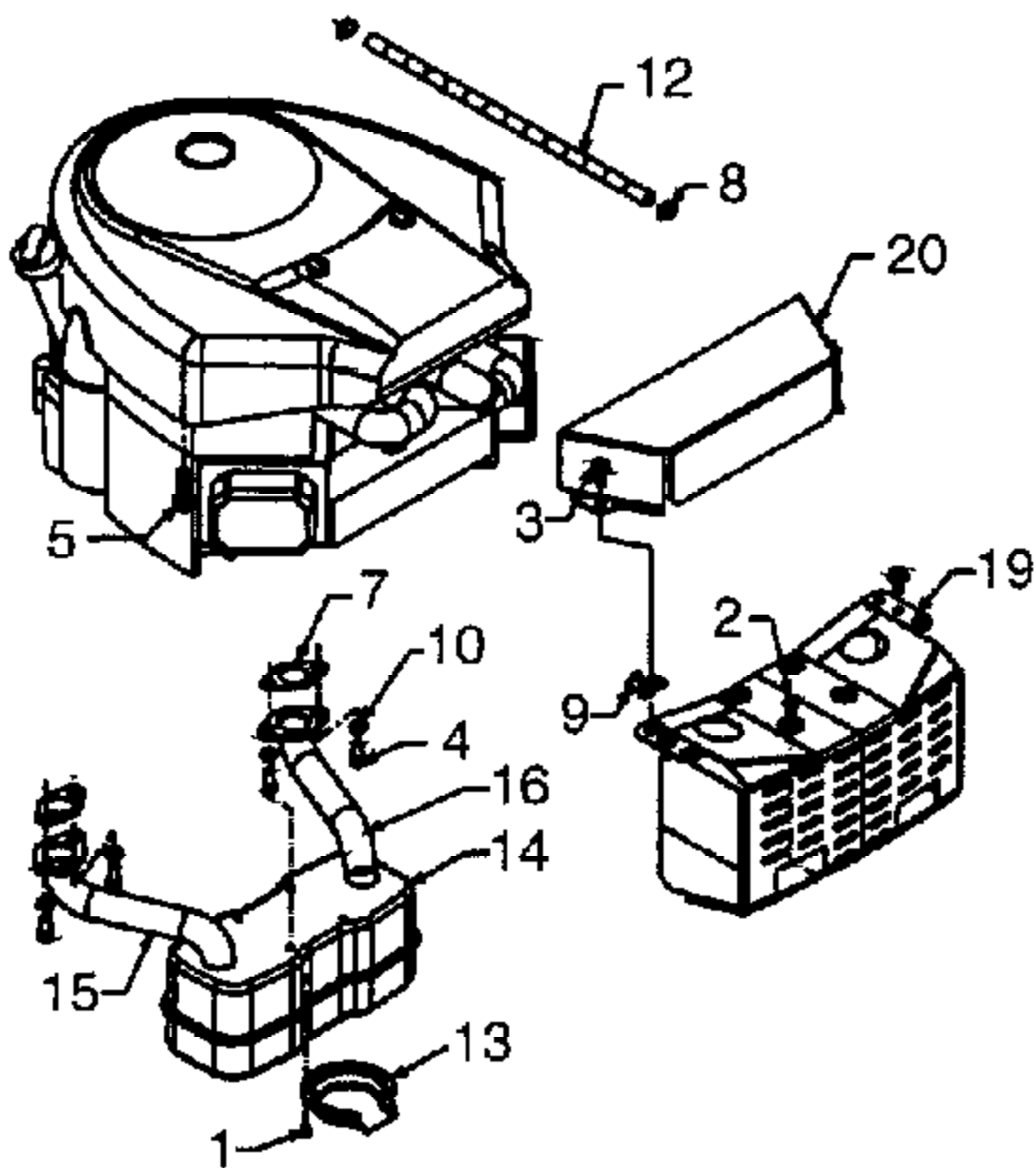
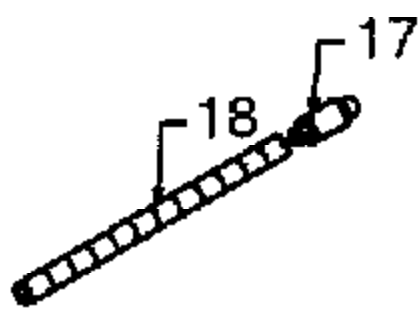
Ref #	Part Number	Qty	Description
1	629-0305D		Wire Harness w/Light Switch & Amp
	629-0301D		Wire Harness w/o Light Switch & Amp
2	725-0267		Ignition Switch
3	725-0634		Light Switch (Optional)
4	725-0925		Ammeter (Optional)
5	725-0963		Bulb (Headlight)
6	725-1426		Solenoid
7	725-1643		Safety Switch (Reverse)
8	725-1657A		Safety Switch

13AM675G062 Page 10 of 43
 Electrical (Tecumseh)

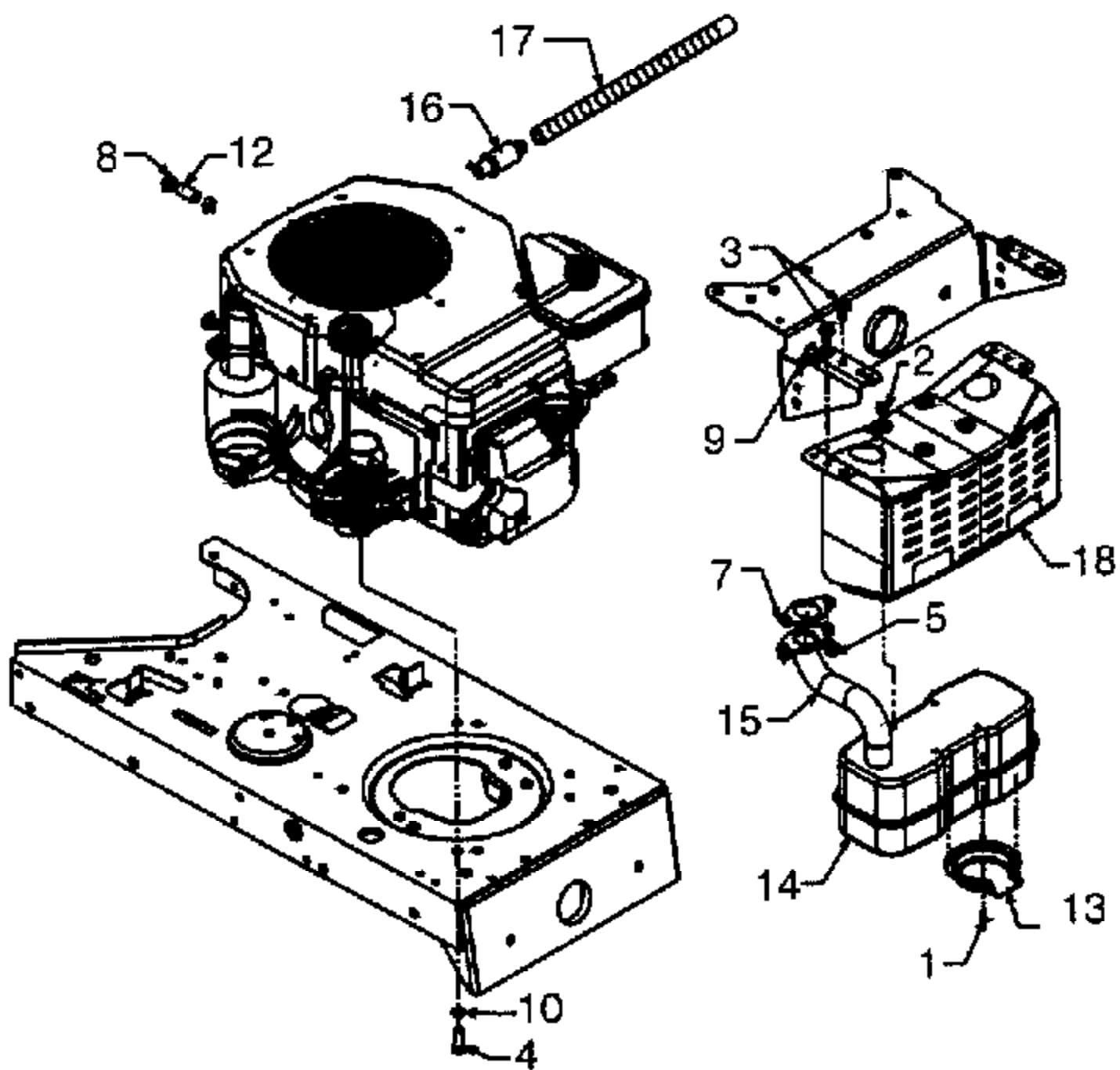


Ref #	Part Number	Qty	Description
2	629-0208		Harness Adapter
3	629-0302D		Wire Harness w/Light Switch & Amp
	629-0301D		Wire Harness w/o Light Switch & Amp
4	725-0267		Ignition Switch
5	725-0634		Light Switch
6	725-0925		Ammeter
7	725-0963		Bulb
8	725-1426		Solenoid
9	725-1643		Safety Switch (Reverse)
10	725-1657A		Safety Switch
11	629-0125		Harness Adapter (Alt.)

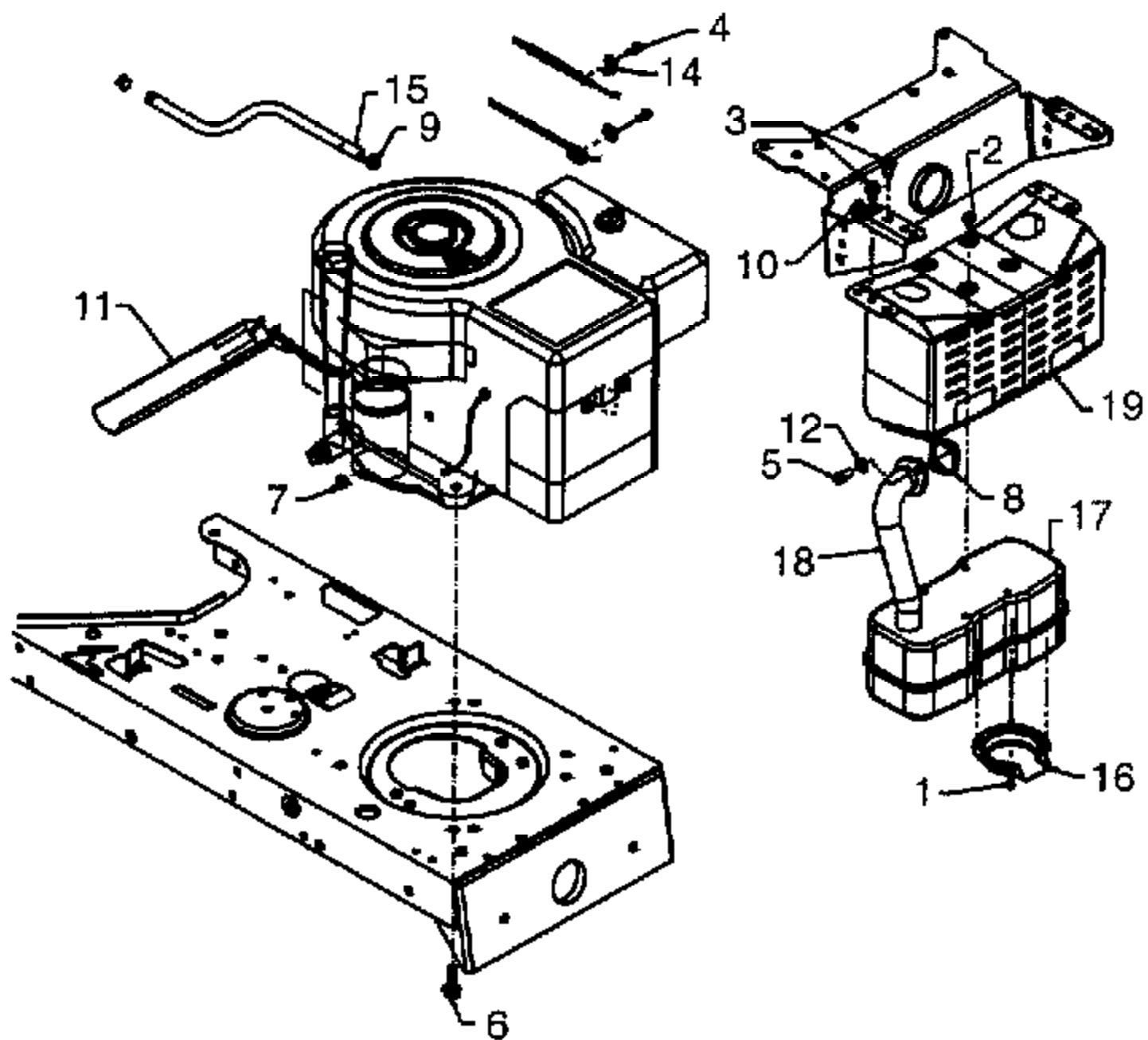
13AM675G062 Page 12 of 43
 Electrical (Twin Cylinder Brig)



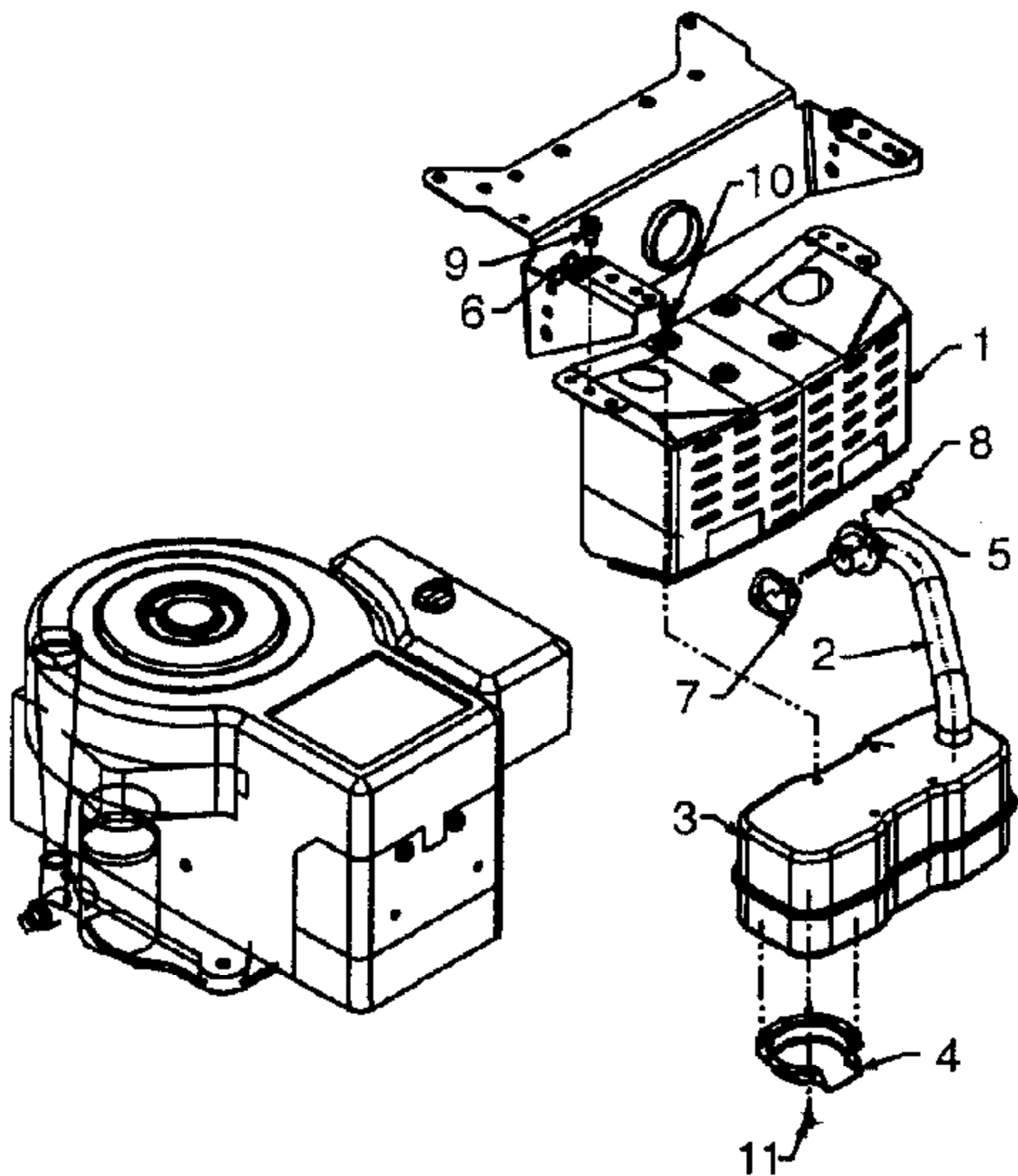
Ref #	Part Number	Qty	Description
1	710-0148		Hex Tap Scr. #8-32 x .38" Lg.
2	710-0599		Hex Wash. TT-Tap Scr. 1/4-20 x 5" Lg.
3	710-0604		Hex Wash. TT-Tap Scr. 5/16-18 x .62"
4	710-1314		Socket Head Scr. 5/16-18 x .62"
5	710-1315		Hex TT-Tap Scr. 3/8-16 x 1.25"
7	721-0460		Exhaust Gasket
8	726-0205		Hose Clamp
9	726-0272		Clamp
10	736-0119		L-Wash. 5/16" I.D.
12	751-0535-12		Fuel Line 12" Lg.
13	751-0564		Muffler Deflector
14	751-0616		Muffler
15	751-0650	13AM675G062-200-121 of 43	Exhaust Pipe R.H.
16	751-0651	Engine Accessories (Intak	Exhaust Pipe L.H.
17	751-3140		Oil Drain
18	751-3141		Oil Drain Hose
19	783-0615		Muffler Bracket
20	783-0625		Heat Shield



Ref #	Part Number	Qty	Description
1	710-0148		Hex Tap Scr. #8-32 x .38" Lg.
2	710-0599		Hex Wash. TT-Tap Scr. 1/4-20 x 5" Lg.
3	710-0604		Hex Wash. TT-Tap Scr. 5/16-18 x .62"
4	710-3206A		Hex Bolt M8 x 1.25
5	712-3086		Hex Flange Nut M8 Thd.
7	721-0375		Exhaust Gasket
8	726-0205		Hose Clamp
9	726-0272		Clamp
10	736-0607		External L-Wash. 5/16" I.D.
12	751-0535-12		Fuel Line 12" Lg.
13	751-0564		Muffler Deflector
14	751-0617		Muffler
15	751-0621	13AM675G0621200126 of 43	Exhaust Pipe
16	751-3140	Engine Accessories (Kohler)	Oil Drain
17	751-3141		Oil Drain Hose
18	783-0615		Muffler Bracket

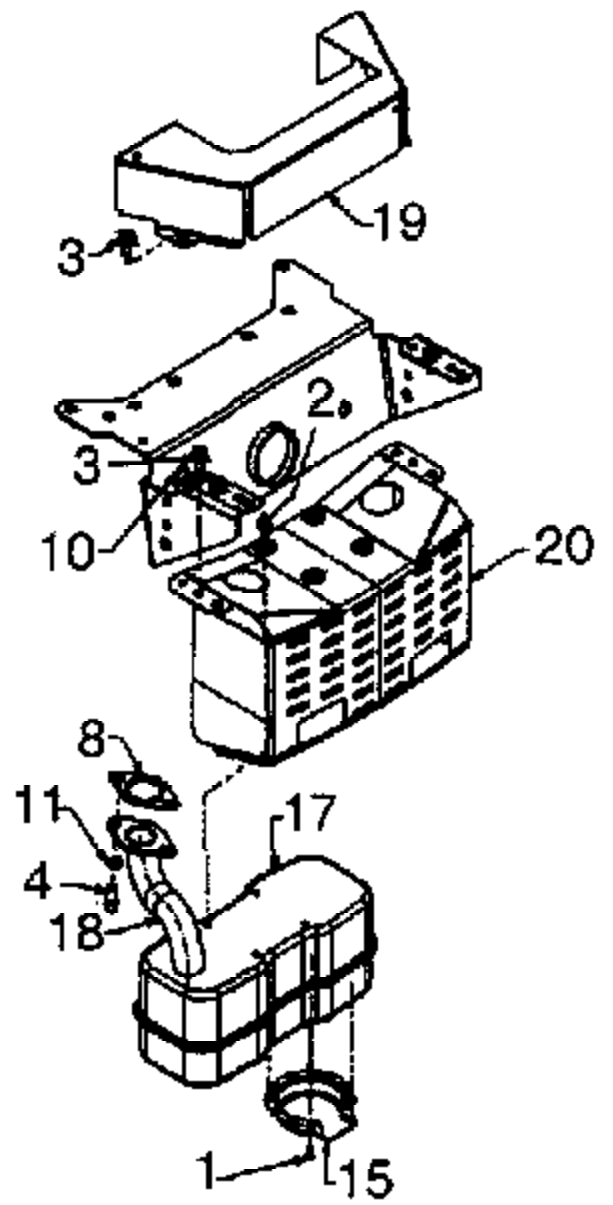
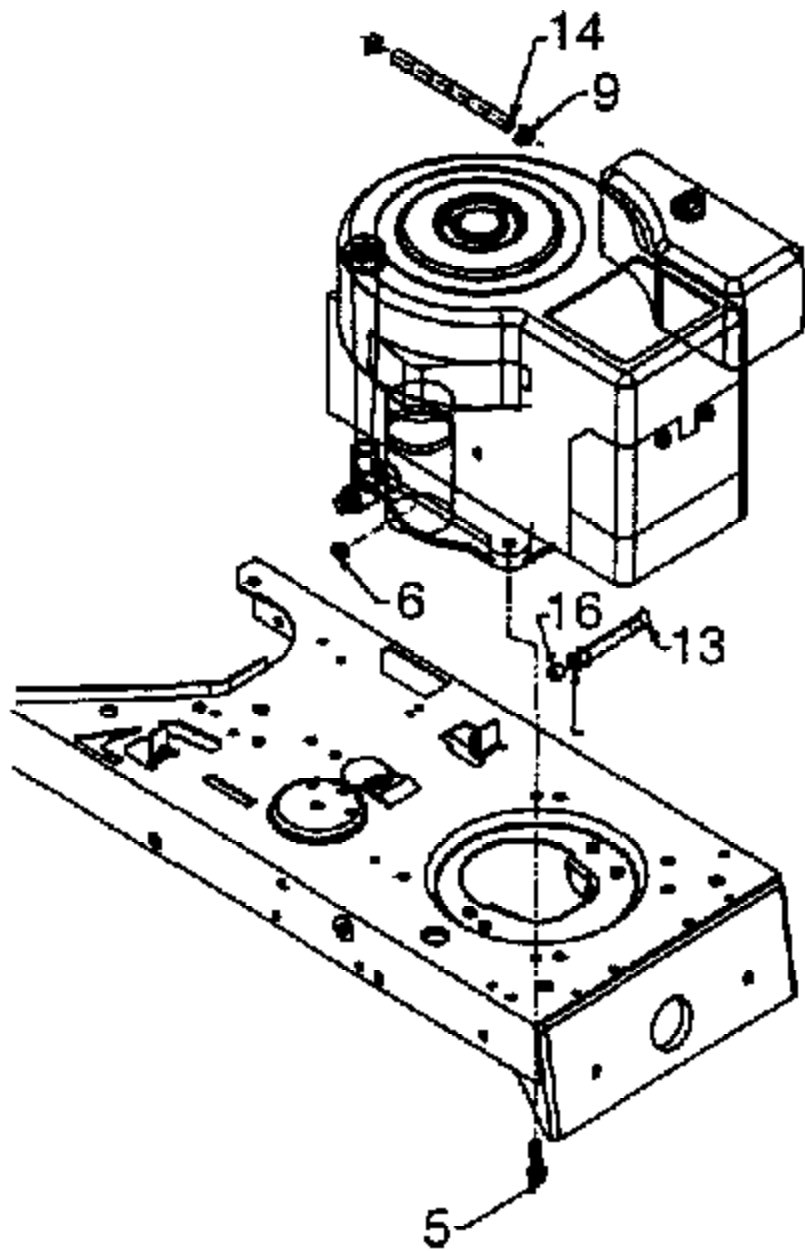


Ref #	Part Number	Qty	Description
1	710-0148		Hex Tap Scr. #8-32 x .38" Lg.
2	710-0599		Hex TT-Tap Scr. 1/4-20 x .5" Lg.
3	710-0604		Hex TT-Tap Scr. 5/16-18 x .62"
4	710-1237		Hex Wash. Scr. #10-32 x .62"
5	710-1314		Socket Head Scr. 5/16-18 x .62"
6	710-1315		Hex TT-Tap Scr. 3/8-16 x 1.25"
7	712-0271		Hex Sems Scr. 1/4-20 Thd.
8	721-0208		Gasket
9	726-0205		Hose Clamp
10	726-0272		Clamp
11	731-1682A		Oil Drain Sleeve
12	736-0119		Lock Washer 5/16" I.D.
14	751B213146	13AM675G062 Page 18 of 43	Casing Clamp
15	751-0535-12	Engine Accessories (Over He	Fuel Line 12" Lg.
16	751-0564		Muffler Deflector
17	751-0617		Muffler
18	751-0619		Exhaust Pipe
19	783-0615		Muffler Brkt.

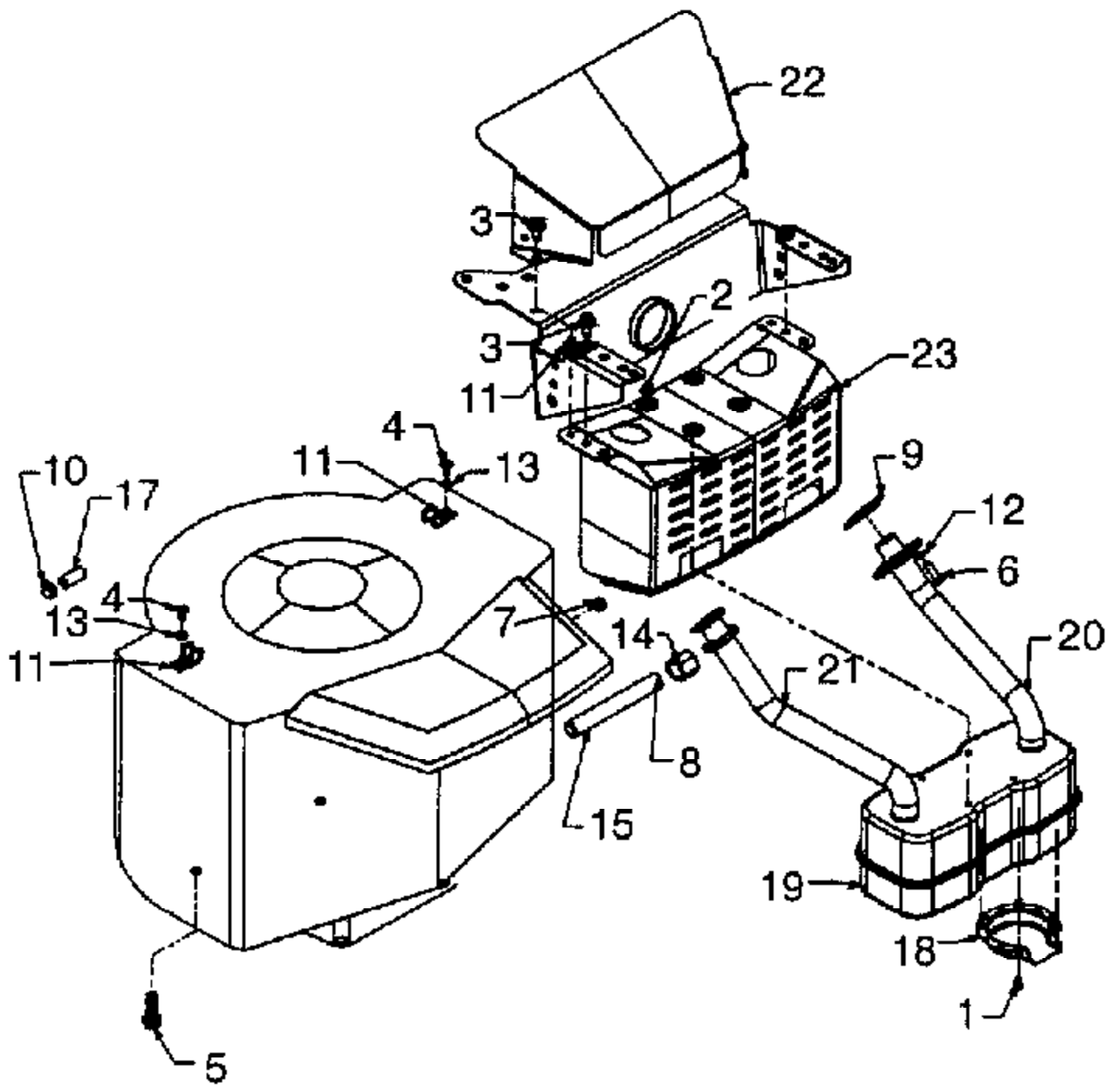


Ref #	Part Number	Qty	Description
1	783-0615		Muffler Bracket
2	751-0618		Exhaust Pipe
3	751-0617		Muffler
4	751-0564		Muffler Deflector
5	736-0119		L-Wash. 5/16" I.D.
6	726-0272		Clamp
7	721-0208		Exhaust Gasket
8	710-1314		Socket Hd. Bolt 5/16-18 x .62" Lg.
9	710-0604		Hex Wash Hd. TT-Tap Scr. 5/16-18 x .62" Lg.
10	710-0599		Hex Wash. TT-Tap Scr. 1/4-20 x .5" Lg.
11	710-0148		Hex Slot Scr. #8-32 x .38" Lg.

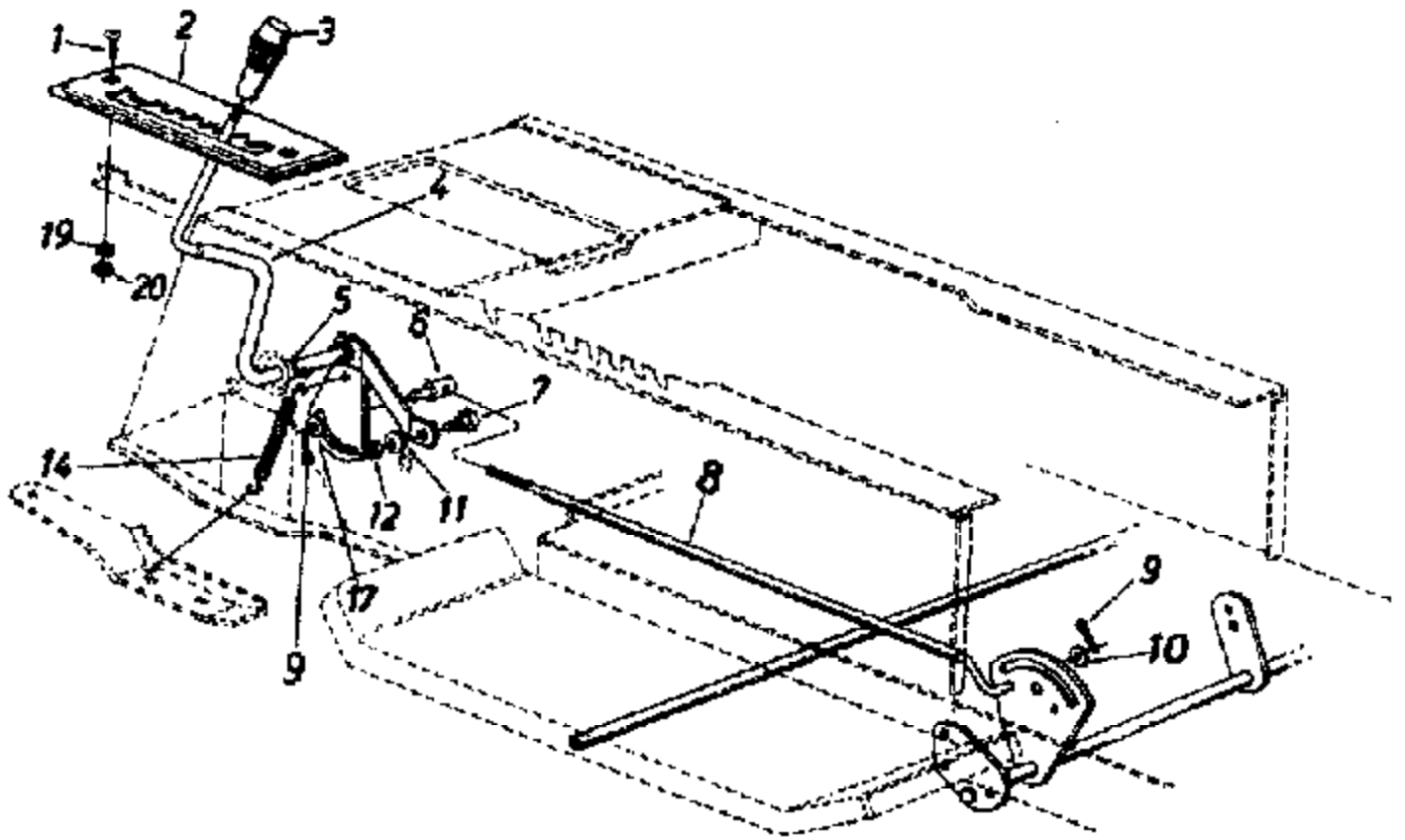
13AM675G062 Page 30 of 43
 Engine Accessories (Single C



Ref #	Part Number	Qty	Description
1	710-0148		Hex Bolt #8-32 x .38" Lg.
2	710-0599		Hex Wash. Hd. TT Scr. 1/4-20 x .5" Lg.
3	710-0604		Hex Wash. Hd. TT Scr. 5/16-18 x .62"
4	710-1314		Socket Hd. Bolt 5/16-18 x .62" Lg.
5	710-1315		Hex Wash. Hd. TT Scr. 3/8-16 x 1.25"
6	712-0271		Hex Sems Nut 1/4-20 Thd.
8	721-0348		Exhaust Gasket
9	726-0205		Hose Clamp
10	726-0272		Clamp
11	736-0119		L-Wash. 5/16" 1.13
13	737-0286		Pipe 3/8 NPT x 3.8" Lg. (16/17 HP)
	737-0199		Pipe 3/8 N PT x 2" Lg. (12/13 HP)
14	751-0535-12	13AM675G062 Page 132 of 43	Fuel Line
15	751-0564	Engine Accessories/Tacums	Muffler Detector
16	751-0572		Hex Pipe Plug (16/17 HP)
	737-0143		Oil Drain Cap (12/13 HP)
17	751-0617		Muffler
18	751-0620		Exhaust Pipe (16/17 HP)
	751-0622		Exhaust Pipe (12/13 HP)
19	783-0378A		Heat Shield (16/17 HP)
20	783-0615		Muffler Bracket

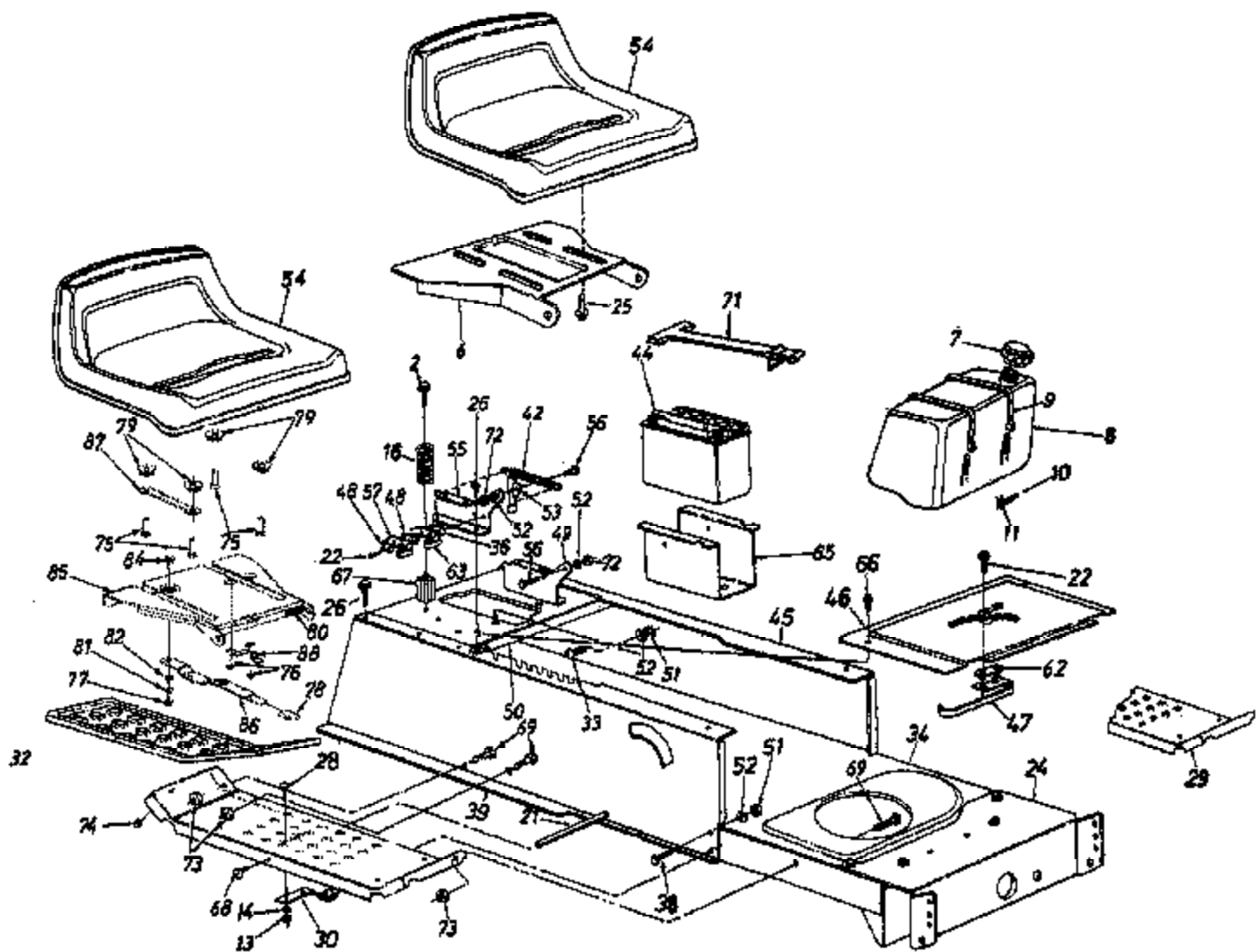


Ref #	Part Number	Qty	Description
1	710-0148		Hex Tap Scr. #8-32 x .38" Lg.
2	710-0599		Hex Wash. TT-Tap Scr. 1/4-20 x 5" Lg.
3	710-0604		Hex Wash. TT-Tap Scr. 5/16-18 x .62" Lg.
4	710-0779A		Truss Mach. Scr. #10 x .5" Lg.
5	710-1315		Hex Hd. Tap Scr. 3/8-16 x 1.25" Lg.
6	710-3015		Hex Bolt 1/4-20 x .75" Lg.
7	712-0271		Hex Sems Nut 1/4-20 Thd.
8			UNKNOWN
9	721-0346		Exhaust Gasket
10	726-0205		Hose Clamp
11	726-0272		Clamp
12	736-0329		L-Wash. 1/4" I.D.
13	736-3067	13AM675G062 P200134 of 43	Wash. 1/8" I.D. x .438" O.D.
14	737-0143	Engine Accessories (Twin Cy	Oil Drain Cap
15	737-0164		Pipe Nipple 3/8 x 18 NPT
17	751-0535-26		Fuel Line 26" Lg.
18	751-0564		Deflector: Muffler
19	751-0616		Muffler
20	751-0623		Exhaust Pipe-L.H.
21	751-0624		Exhaust Pipe-R.H.
22	783-0357A		Heat Shield
23	783-0615		Muffler Bracket



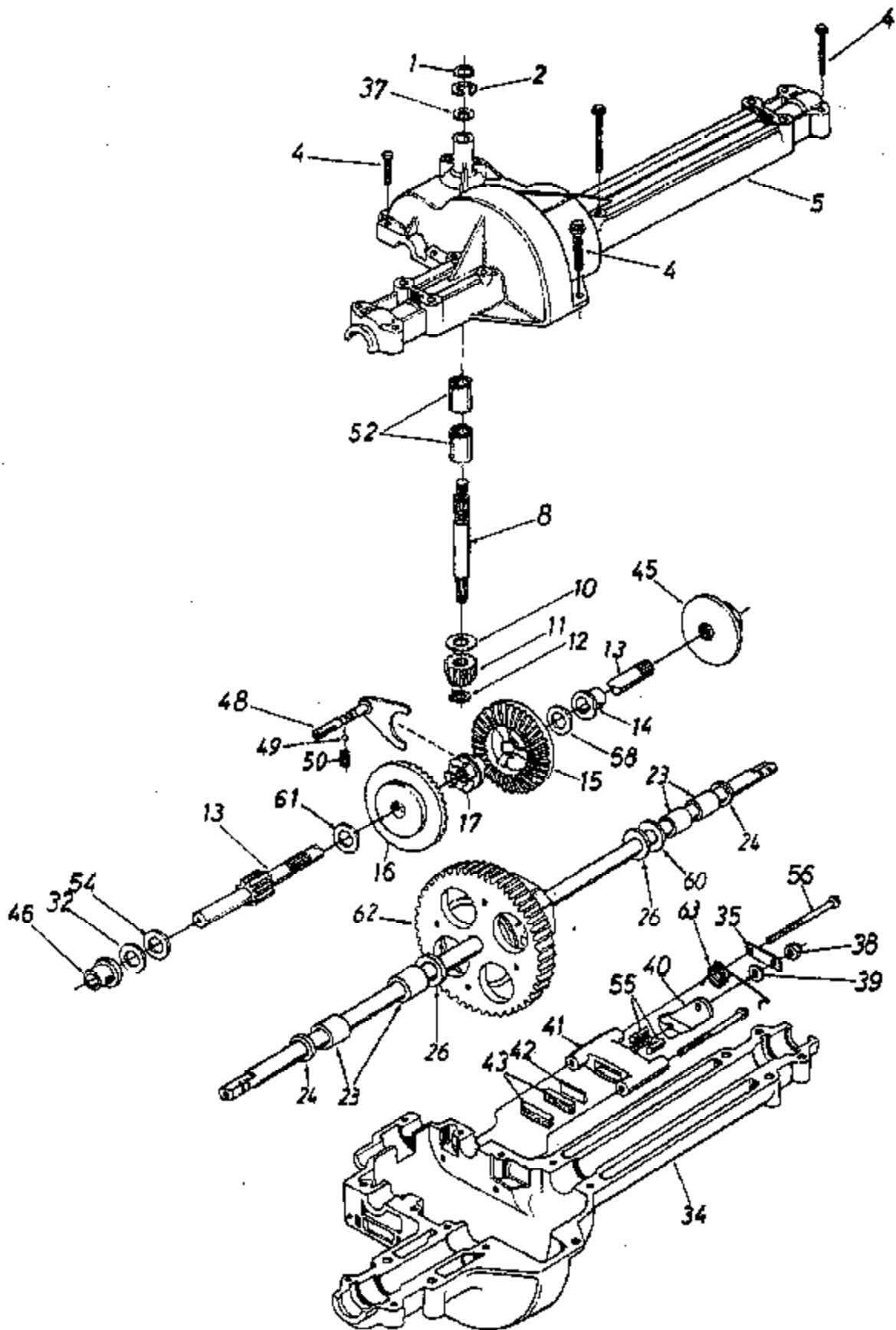
Ref #	Part Number	Qty	Description
1	710-0924		Truss Mach. Scr. 1/4-20 x.75" Lg.
2	16194A		7-Speed Selector Plate
3	720-0218		Shift Knob
4	16192A		Speed Selector Lever Ass'y.
5	736-0192		Flat Washer .53" I.D. x .93"
6	711-0198		Ferrule 3/8-24 x .37" Dia.
7	738-0155		Shoulder Bolt
8	747-0503A		Speed Control Link
9	714-0111		Cotter Pin 3/32" Dia. x 1.0" Purchase locally
10	736-0226		FI-Wash. .469" I.D. x .88"
11	736-0119		L-Wash. 5/16" I.D. Purchase locally
12	712-3010		Hex Nut 5/16-18 Thd. (Gr. 5)
14	732-0303	13AM675G062 P200186 of 13	Spring 3/8" O.D. x 3.18" Lg.
17	736-0300	Gear Selector Assembly 7 S	FI-Wash. .365" I.D. x 7/8"
19	736-0329		L-Wash. 1/4" LID. Purchase locally
20	712-3006		Hex Nut 1/4-20 Thd. (Gr. 5)

Ref #	Part Number	Qty	Description
1	783-0250		Hood
2	738-0952A		Shld. Bolt .375" Dia. x .125" Lg.
3	726-0201		Speed Nut
4	736-3078		Fl-Wash. .34" I.D. x 1" O.D.
6	712-3006		Hex Sems Nut 1/4-20 Thd. Purchase locally
8	731-1099A		Headlight Lens w/o Logo
	731-1767		Headlight Lens w/Logo
9	712-3027		Flange L-Nut 1/4-20 Thd.
10	731-1097E		Grille
11	736-0119		L-Wash. 5/16" I.D.
12	712-3010		Hex Nut 5/16-18 Thd. (Gr.5)
13	725-0963		Lamp
14	725-1649	13AM675G062 #200138 of 43	Socket
15	710-0703	Hood Style "S"	Carriage Bolt 1/4-20 x .75" Lg.
16	710-0599		Hex Wash. Hd. TT-Tap Scr. 1/4-20 x .5"
17	736-0173		Fl-Wash. .281" I.D. x .73" O.D.
19	712-0185		Speed Nut 1/4-20 Thd.
20	710-3008		Hex Bolt 5/16-18 x .75" Lg.
21	17632B		Gas Tank Support Brkt.
22	731-2515		Dash w/Ammeter Hole
	731-1337A		Dash w/o Ammeter Hole
23	725-0267		Ignition Switch
24	725-0201		Ignition Key
25	746-0616A		Choke Control 23" Lg.
	746-0614A		Choke Control 38" Lg.
	746-3021		Choke Control 29" Lg.
	746-0720		Choke Control 20" Lg.
26	725-0634		Light Switch Optional
27	725-0925		Ammeter Optional
32	710-0924		Pan Hd. Scr. 1/4-20 x .75" Lg.
34	17870A		Fender
35	17871B		Fender w/Cutout
38	710-0726		Hex Wash. Hd. AB-Tap Scr. 5/16 x .75"
39	17954B		Shift Cover w/Cutout
40	17286B		Shift Cover
41	831-0823A		Throttle Box Ass'y.
42	710-0779A		Truss Mach. AB-Tap Scr. #10 x .5" Lg.
43	746-0776		Throttle Control Wire 18.5" Lg.
	746-0634		Throttle Control Wire 35" Lg.
	746-0638		Throttle Control Wire 22" Lg.
44	777-9206		Grille Reflector Label
45	710-0603		Hex Wash. Hd. B-Tap Scr. 5/16-18
46	17782		Choke Retainer
47	710-0642		Hex TT-Tap Scr. 1/4-20 x .75" Lg.
48	736-0270		Bell-Wash. 1/4" I.D.
49	783-0150A		Side Panel-R.H.
50	783-0151		Side Panel-L.H.
72	710-0286		Truss Mach. Scr. 1/4-20 x .5" Lg.
73	736-0342		Fl-Wash. .283" I.D. x .75" O.D.
74	732-0835		Hood Latch Optional
75	710-0473		Truss Mach. Scr. 10-24 x .5" Lg. Optional
76	712-0272		Hex Sems Nut 10-24 Thd. Optional
	629-0308		Headlight Harness (Not Shown)



Ref #	Part Number	Qty	Description
2	710-1208		Hex Tap Scr. 5/16-18 x 3.25"
6	783-0039A		Seat Pivot Bracket
7	751-0603		Fuel Cap
8	751-0553		Fuel Tank (1.75 Gal)
	751-0657		Fuel Tank (3 Gal.)
9	726-0209		Tie Strap
10	751-0535-15		Fuel Line
11	726-0205		Hose Clamp
13	712-0287		Hex Nut 1/4-20 Thd. Purchase locally
14	736-0329		L-Wash. 1/4" I.D.
16	732-0735		Compression Spring
21	738-0526		Running Board Rod
22	710-0227	13AM675G062 Page #10 of 43	Hex Tap Scr. #8 x .50" Lg.
23	726-0139	Seat, Fuel Tank, Battery Fra	Speed Nut #102
24	783-0041A		Front Pivot Brkt.
25	710-0870		Hex Tap Scr. 3/8-16 x .62" Lg.
26	710-0726		Hex Wash. Hd. AB-Tap Scr. 5/16 x .75"
28	710-0134		Carriage Bolt 1/4-20 x .62"
29	17770E		Running Board (R.H. & L.H.)
30	761-0168B		Blade Brake Ass'y.
32	731-0909		Rubber Foot Pad-L.H. Optional
	731-0910		Rubber Foot Pad-R.H. Optional
	723-0422		Abrasive Foot Pad Optional
33			UNKNOWN
34	783-0310E		Lower Frame
36	726-0278		Insulator Boss Plate
37	736-0264		FI-Wash. .344" I.D. x .625" O.D.
38	710-3008		Hex Bolt 5/16-18 x .75" Lg. Purchase locally
39	783-0042D		Upper Frame-R.H.
42	732-0581B		Extension Spring 5.31" Lg.
44	725-1707D		12-V Battery
45	783-0043A		Upper Frame-L.H.
46			Shift Cover (Refer to Style Page)
47	725-1643		Reverse Safety Switch
48	726-0279		Insulator Plate
49	17951A		Seat Pivot Brkt. Support-L.H.
50	783-0355B		Hitch Plate
51	712-0267		Hex Nut 5/16-18 Thd. Purchase locally
52	736-0119		L-Wash. 5/16" I.D. Purchase locally
53	17239A		Seat Lift Brkt.
54	757-0378		Seat 8-7/8" High
	757-0364A		Seat 8-7/8" High (Yellow)
	757-0360A		Seat 10-5/8" High
	757-0365		Seat 10-5/8" High (Yellow)
	757-0348A		Seat 14-1/4" High
	757-0372		Seat 14-1/4" High (Yellow)
	757-0350		Seat 14-1/4" High w/ Drain holes
55	17950A		Seat Pivot Brkt. Support-R.H.
56	738-0296		Shld. Bolt .437" Dia. x .268"
57	725-1303		Spring Switch (Seat-Outer)
59	710-0650		Hex TT-Tap Scr. 5/16-18 x 7/8"
62	726-0320		Insulatop Nut Plate
63	725-1439		Safety Switch (Seat-Inner)
65	783-0345		Battery Tray
66	710-0351		Truss Mach. B-Tap Scr. #10 x .5" Lg.
67	748-0347		Spring Spacer

Ref #	Part Number	Qty	Description
68	710-0323		Truss Mach. Scr. 5/16-18 x .75"
69	710-3008		Hex Bolt 5/16-18 x .75" Lg. Purchase locally
70	731-0405		Snap Bushing
71	723-3064		Battery Retainer Strap
72	712-3010		Hex Nut 5/16-18 Thd.
73	712-0265		Hex Sems Nut 5/16-18 Thd.
74	712-0271		Hex Sems Nut 1/4-20 Thd.
75	738-1007		Shoulder Screw 3/8-16 x .5 Optional
76	710-1268		Hex Wash. Hd. B-Tap Scr. Optional
77	712-3027		Hex Flanged L-Nut 1/4-20 Thd. Optional
78	720-0309A		Seat Adjustable Grip Optional
79	731-1989		Spacer Optional
80	732-0499	13AM675G062 P200411 of 43	Compression Spring 1.5" Lg. Optional
81	736-0175	Seat, Fuel Tank, Battery Fra	Spring Wash. .265" I.D. Optional
82	736-0204		FI-Wash. .344" I.D. x .62" O.D. Optional
84	738-0137A		Shld. Bolt .34" x 1/4-20 Thd. Optional
85	783-0607A		Seat Pivot Bracket Optional
86	783-0609		Seat Lever Optional
87	783-0753		Seat Selector Optional
88	783-0611		Seat Stop Optional
89	747-1216		Stop Rod
90	712-3017		Hex Nut 3/8-16
91	736-0169		Lock Washer



Ref #	Part Number	Qty	Description
1	732-0614		Wire Ring
2	716-0231		"E"-Ring
4	710-1325		Hex Tap Scr. 1/4-20 x 1.625 Lg.
5	719-0367		Upper Housing
8	711-1109		Input Shaft
10	736-0335		Thrust Washer 5/8" I.D. x 1.25" O.D.
11	717-1464		Pinion Input 14T
12	716-0108		Retaining Ring
13	711-1003		Drive Shaft-R.H. Brake
14	741-0336		Flange Brg. 5/8" I.D. x 3/4" Lg.
15	717-1362		Bevel Gear 42T Small I.D.
16	717-1363		Bevel Gear 42T Large I.D.
17	718-0228		Clutch Collar
21	710-0862A		Pin Head Scr. 1/4-20 x .50" Lg.
23	741-0340		Sleeve Bearing 3/4" I.D. x 1.0" Lg.
24	721-0338		Oil Seal 3/4" I.D.
26	736-0445		FI-Wash. .760" I.D. x 1.5" O.D.
32	736-0495		Thrust Wash. 5/8" I.D. x 1" O.D. x .025" Thk.
32	736-0336		FI-Wash. 5/8" I.D. x 1" O.D. x .030" Thk.
32	736-0494		Thrust Wash. 5/8" I.D. x 1" O.D. x .035" Thk.
32	736-0337		FI-Wash. 5/8" I.D. x 1" O.D. x .040" Thk.
34	719-0313B		Lower Housing
35	718-0150		Anti-Rotation Brkt.
37	736-0349		FI-Wash. 5/8" I.D. x 1" O.D. x .020" Thk.
37	736-0336		FI-Wash. 5/8" I.D. x 1" O.D. x .030" Thk.
37	736-0337		FI-Wash. 5/8" I.D. x 1" O.D. x .040" Thk.
38	712-0273		Hex Nut 5/16-24 Thd.
39	736-0371		FI-Wash. .344" I.D. x .875" O.D.
40	717-0700		Actuating Arm
41	761-0198		Brake Yoke
42	717-0682		Puck Plate
43	717-0678		Brake Puck
45	761-0202		Brake Disc
46	741-0337		Flange Bearing 5/8" I.D. x 15/16" Lg.
48	611-0011		Shift Fork Ass'y.
49	741-0862		Ball Detent .250" Dia.
50	732-0863		Spring Detent
52	741-0335		Needle Brg. 5/8" I.D. x 1/2" Lg.
54	736-0349		FI-Wash. 5/8" I.D. x 1" O.D. x .020" Thk.
55	741-0343		Actuating Pin 5/16" Dia.
56	710-1206		Hex Wash Hd. Self-Tap Scr. 1/4-20
58	736-0349		FI-Wash. 5/8" I.D. x 1" O.D. x .020" Thk.
	736-0495		Thrust Wash. 5/8" I.D. x 1" O.D. x .025"
60	736-0492		FI-Wash. .76" I.D. x 1.5" O.D. x .010" Thk.
60	736-0493		FI-Wash. .76" I.D. x 1.5" O.D. x .020" Thk.
60	736-0351		FI-Wash. .76" I.D. x 1.5" O.D. x .030" Thk.
60	736-0445		FI-Wash. .76" I.D. x 1.5" O.D. x .060" Thk.
61	736-0519		Thrust Washer
62	618-0162		Differential Ass'y.
63	732-0742		R.H.-Brake Spring
	737-0148		Grease-Shell (15 oz.)
	918-0163B		Transaxle Single Speed

13AM675G062 Page 13 of 43
Transmission Assembly