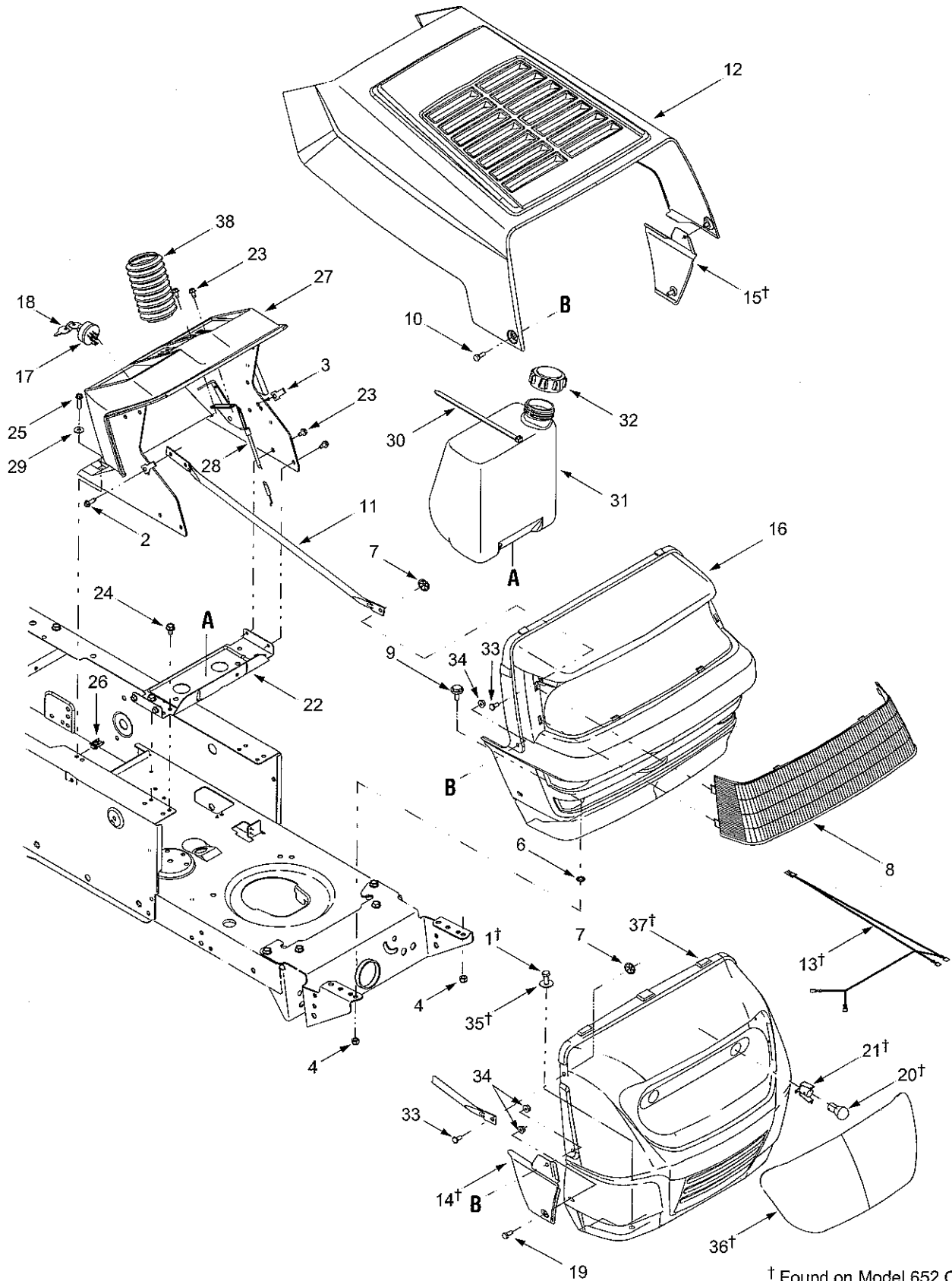


# SECTION 12: MODELS 650 & 652 PARTS LIST

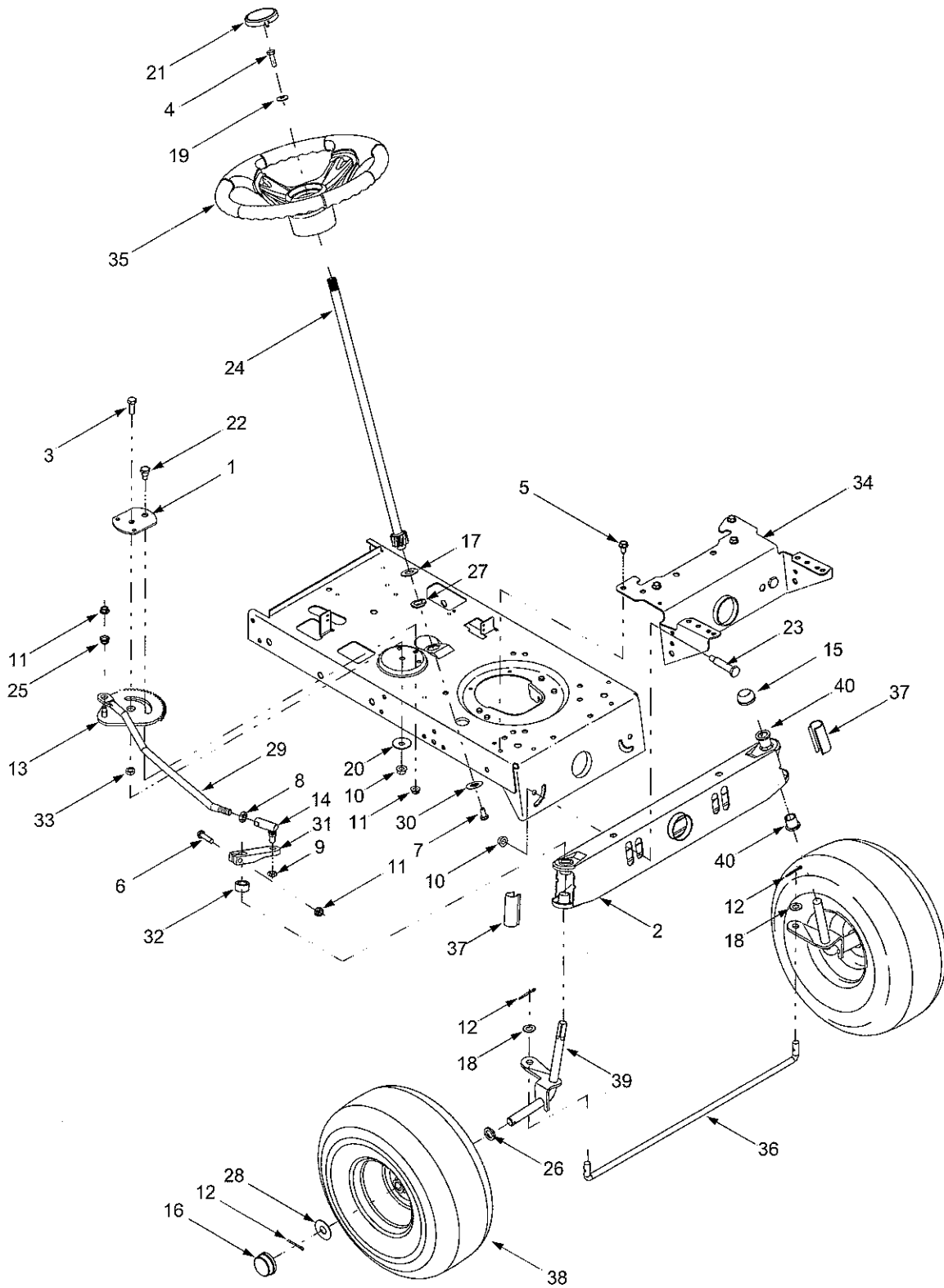


## Models 650 & 652

REF. NO.	PART NO.	DESCRIPTION
1	710-3008	Hex Screw, 5/16-18 x .75
2	710-0642	Self-tapping Screw, 1/4-20 x .75
3	712-0185	U-type Speed Nut, 1/4-20
4	712-0429	Hex Lock Nut, Nylon, 5/16-18
5	712-3027	Flange Lock Nut, 1/4-20
6	726-0201	Speed Nut, 3125
7	726-04012	Push-on Nut, 25
8	731-1601	Lens, Black
9	738-04015	Shoulder Screw, 5/16-18 x .625
10	738-0952A	Shoulder Screw, 1/4-20 x .375 / .125
11	749-0722C	Grille Support Rod
12	783-0250A	Hood w/ Louvers
13	629-0469B	Headlamp Harness Assembly
14	783-0366	RH Side Panel (Insert)
15	783-0367	LH Side Panel (Insert)
16	731-04612	Grille
17	725-1396	Ignition Switch, 6-pin
18	725-0201	Keys (pair)
19	710-0751	Hex Screw, 1/4-20 x .620
20	725-0963	Headlamp, 12V
21	725-1651	Headlamp Socket
22	17632D	Support Bracket
23	710-0599	Self-tapping Screw, 1/4-20 x .5
24	710-0607	Self-tapping Screw, 5/16-18 x .5
25	710-0788	Self-tapping Screw, 1/4-20 x 1.0
26	726-3054	U-type Speed Nut, 1/4-20
27	731-04179	Dash Panel
28	746-04020A	Throttle / Choke Control, 18.5"
29	736-3090	Flat Washer, 260 x .720 x .060
30	726-0209	Cable Tie, 30.66
31	751-0555B	Fuel Tank, 1.5 gal.
32	751-0603	Fuel Tank Cap
33	728-0162	Rivet, 1/4"
34	712-0324	Hex Lock Nut, Nylon, 1/4-20
35	736-3078	Flat Washer, 344 x 1.0 x .063
36	731-1503A	Lens
37	783-0156B	Grille
38	731-0954	Steering Bellow

**NOTE:** Tractor features vary by model. NOT all parts listed above and pictured on the previous page are standard equipment.

# Models 650 & 652



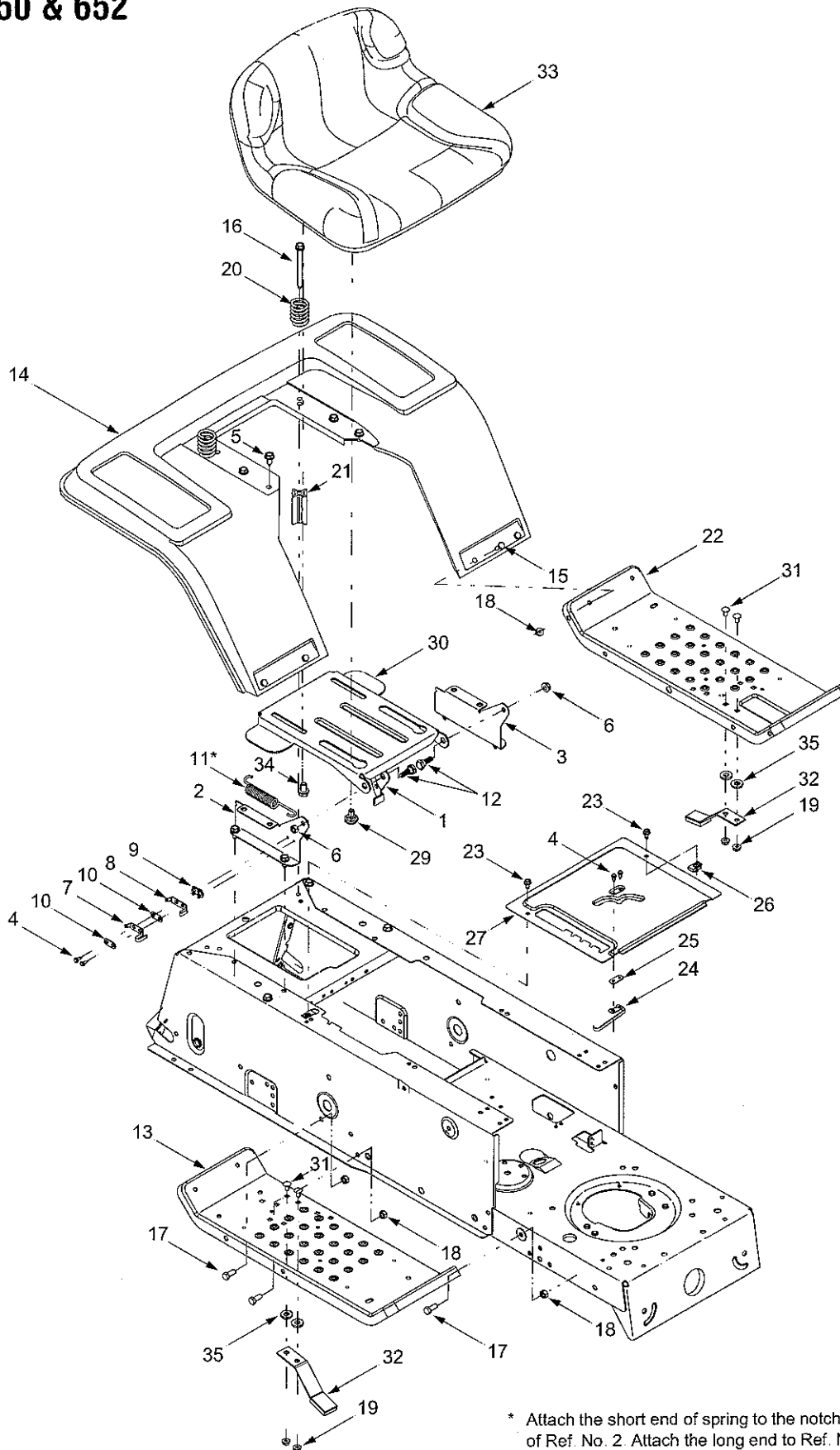
# Models 650 & 652

REF. NO.	PART NO.	DESCRIPTION
1	17198A	Retainer Gear Segment Plate
2	683-0002A	Steel Pivot Bar, 625
3	710-0514	Hex Cap Screw, 3/8-16 x 1.0
4	710-0643	Hex Cap Screw, 5/16-18 x 1.0
5	710-0726	Self-tapping Screw, 5/16-12 x .75
6	710-0805	Hex Cap Screw, 5/16-18 x 1.5
7	710-1309	Machine Screw, 5/16-18 x .75
8	712-0240	Jam Nut, 7/16-20 (Grade 2)
9	712-0262	Jam Nut, 3/8-24
10	712-0431	Flange Lock Nut, 3/8-16
11	712-3004A	Flange Lock Nut, 5/16-18
12	714-0470	Cotter Pin, 1/8 x 1.25
13	717-1757A	Steering Segment Gear
14	723-0448A	Ball Joint, 7/16 -20
15	726-0214	Push Cap, 625
16	731-0484A	Hub Cap
17	736-0187	Flat Washer, 64 x 1.24 x .060
18	736-0226	Flat Washer, 474 x .879 x .064
19	736-0242	Bell Washer, 34 x .872 x .060
20	736-0356	Bell Washer, 391 x 380 x .062
21	731-04039	Steering Wheel Cap, Small
	731-04040	Steering Wheel Cap, Small, w/ Sprig
22	738-0141	Shoulder Screw, 435 x 350, 5/16-18
23	738-0527	Shoulder Screw, .498 x 2.045
24	738-0919	Steering Shaft, 21.86
25	741-0475	Plastic Bushing, 38 ID
26	736-0162	Flat Washer, 64 x 1.0 x .12
27	741-0656	Hex Flange Bearing, 5/8
28	736-0285	Flat Washer, 635 x 1.589 x .06
29	747-1268B	Steering Drag Link, 7/16-20
30	748-0389	Cap, 1.25 x .16
31	748-04014B	Steering Arm
32	748-04020	Spacer, 1.0 x .645 x .56
33	750-0535	Spacer, .380 x .625 x .21
34	783-0041D	Pivot Bar Bracket
35	631-04028	Steering Wheel, Three Spoke
36	747-04057	Tie Rod
37	731-04057A	Axle End Cap, Standard
38	634-0097B	Wheel Ass'y Complete
39	683-04014	RH Axle Assembly
	683-04013	LH Axle Assembly
40	741-0487A	Flange Bearing

Wheel Ass'y Complete	Rim Assembly	Inner Bearing	Outer Bearing	Tire Only	Air Valve
634-0097B	634-0171B	741-0706 (Flange w/ Fitting)	741-0487A (Plastic Flange)	734-0298 (13 x 5 x 6)	734-0255

**NOTE:** Tractor features vary by model NOT all parts listed above and pictured on the previous page are standard equipment.

# Models 650 & 652



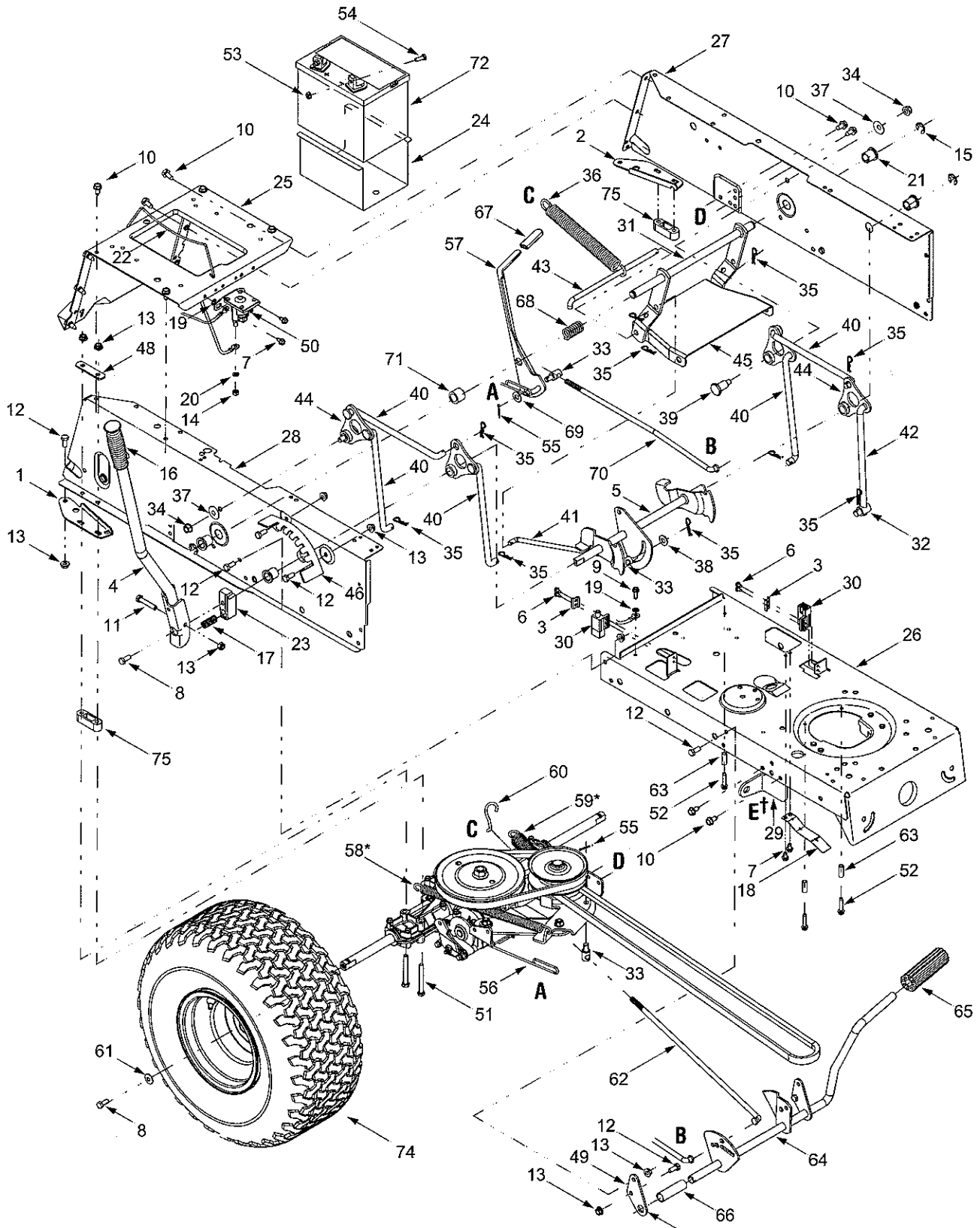
\* Attach the short end of spring to the notch in the rear of Ref. No. 2. Attach the long end to Ref. No. 1

## Models 650 & 652

REF. NO.	PART NO.	DESCRIPTION
1	17239C	Seat Lift Bracket
2	17950A	RH Pivot Support Bracket, Seat
3	17951A	LH Pivot Support Bracket, Seat
4	710-0227	Self-tapping Screw, #8-18 x .50
5	710-0726	Self-tapping Screw, 5/16-12 x .75
6	712-0429	Hex Lock Nut, 5/16-18
7	725-1303	Outer Seat Spring Switch
8	725-1439	Inner Seat Spring Switch
9	726-0278	Insulator Plate Boss
10	726-0279	Insulator Plate
11	732-0581B	Extension Spring, .75 x 5.31
12	738-0296	Shoulder Screw, 437 x 286
13	17770H	Running Board
14	17870C	Fender
15	710-0751	Hex Screw, 1/4-20 x .620
16	710-1208	Self-tapping Screw, 5/16-18 x 3.5
17	710-3008	Hex Screw, 5/16-18 x .75
18	712-0429	Nylon Lock Nut, 5/16-18
19	712-3027	Flange Lock Nut, 1/4-20
20	732-04038	Compression Spring, 1.314 x 1 8
21	750-04212	Spacer
22	783-04139A	LH Running Board
23	710-0599	Self-tapping Screw, 1/4-20 x .5
24	725-1643	Spring Switch, Long
25	726-0320	Insulator Nut Plate
26	726-3054	U-Clip Nut, 1/4-20
27	783-04429	Shift Cover Panel, 5-speed
28	710-0870	Screw, 3/8-16 x 625
29	738-04012	Shoulder Screw, 625 x 175, 3/8-16
30	783-04081A	Seat Pivot Bracket, Manual Adjust
31	710-0703	Carriage Screw, 1/4-20 x 75
32	761-0168B	Blade Spindle Brake Assembly
33	757-04021	Low Back Seat, Black
34	710-0870	Screw, 3/8-16 x 625
35	736-3008	Flat Washer, .344 x .750 x 120

**NOTE:** Tractor features vary by model. NOT all parts listed above and pictured on the previous page are standard equipment.

# Models 650 & 652



\* Attach the ends of springs (Ref. 58 & Ref.59) to the notch openings in the rear of Ref. 25

† Refer to E† on Page 36

# Models 650 & 652

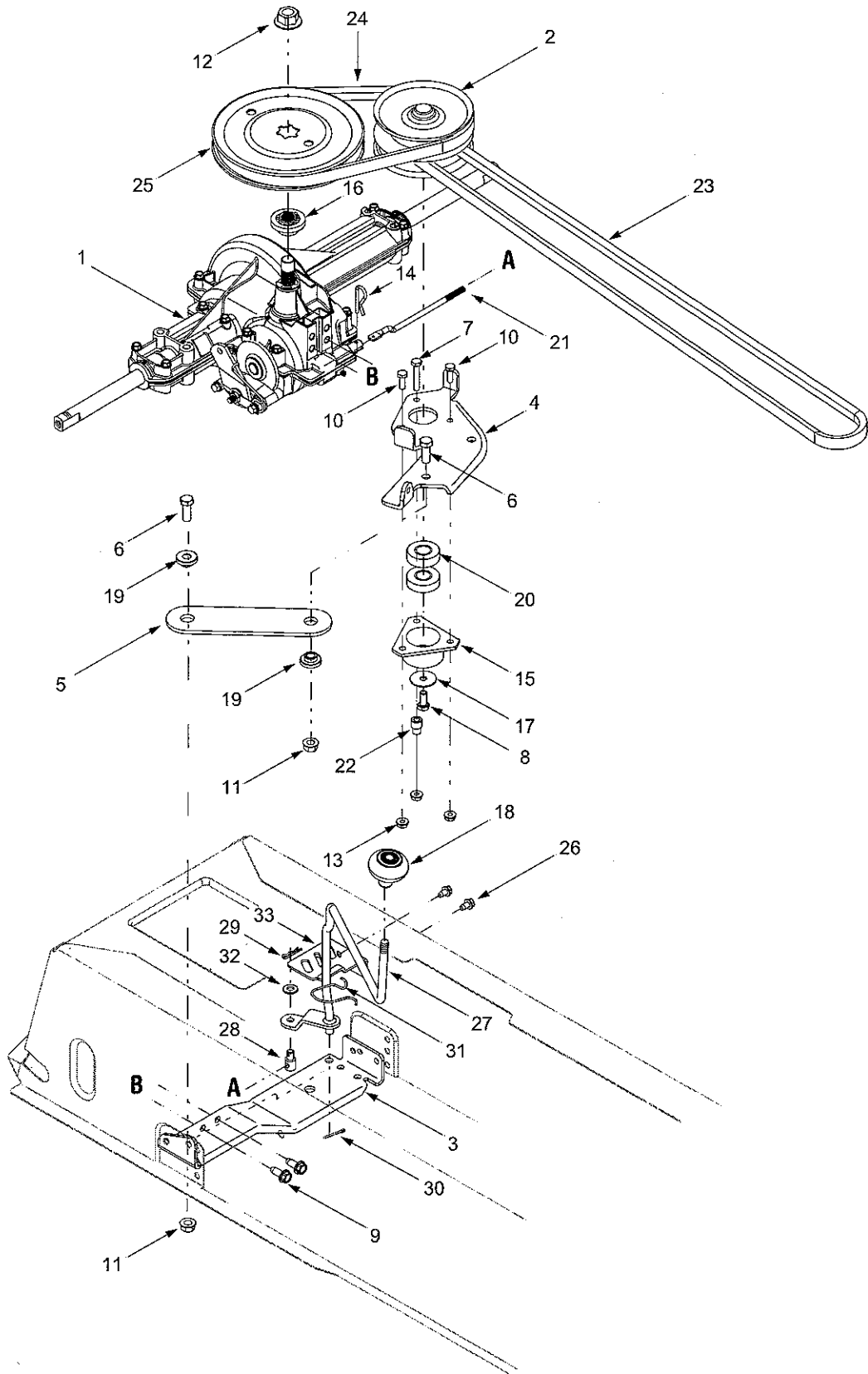
REF. NO.	PART NO.	DESCRIPTION	REF. NO.	PART NO.	DESCRIPTION
1	17668A	RH Axle Support Bracket	39	738-0322	Shoulder Bolt, .625 x 217
2	17669A	LH Axle Support Bracket	40	747-04018A	Deck Hanger Link
3	17962	Switch Plate	41	747-04040A	Deck Disengagement Rod
4	683-04025	Lift Handle Assembly	42	747-04069A	Deck Hanger Link
5	683-04049	Lift Shaft Assembly	43	747-04157	Rear Stabilizer Rod
6	710-0224	Self-tapping Screw, #10-16 x .5	44	748-04307	Lift Link
7	710-0599	Self-tapping Screw, 1/4-20 x .5	45	783-04294	Deck Stabilizer Bracket
8	710-0627	Hex Cap Screw, 5/16-24 x .75	46	783-04113	Deck Lift Index Bracket
9	710-0642	Self-tapping Screw, 1/4-20 x .75	47	17630A	Shift Lever Retainer
10	710-0726	Self-tapping Screw, 5/16-12 x .75	48	17840	Transaxle Mounting Bracket
11	710-3180	Hex Cap Screw, 5/16-18 x 1.75	49	17860	Pedal Mounting Bracket
12	710-3008	Hex Screw, 5/16-18 x .75	50	725-1426	Solenoid
13	712-0429	Hex Lock Nut, 5/16-18	51	710-0176	Hex Cap Screw, 5/16-18 x 2.75
14	712-3006	Hex Nut, 1/4-20	52	710-0809	Self-tapping Screw, 1/4-20 x 1.25
15	716-0106	E-Ring, .625 Dia Shaft	53	712-0271	Hex Sems Nut, 1/4-20
16	720-0233	Handle Grip	54	710-3015	Hex Screw, 1/4-20 x .75
17	732-0369	Compression Spring, 55 x 1.37	55	714-0470	Cotter Pin
18	732-0750A	Switch Actuator Spring	56	732-04029	Extension Spring, 59 x 12.38
19	736-0222	External Lock Washer, 1/4	57	783-04059	Speed Select Lever
20	736-0329	Lock Washer, 1/4	58	732-04075A	Extension Spring, .73 x 12.54
21	741-0487A	Flange Bearing, .632 ID	59	732-04076	Extension Spring, 1.15 x 7.90
22	747-04031	Battery Hold-down Rod	60	732-0722A	Brake Return Spring
23	748-04011A	Lift Shaft Connector	61	736-0242	Bell Washer, 34 x 872 x .060
24	783-0345	Battery Tray	62	747-04043	Variable Speed Control Rod
25	783-0355D	Hitch Plate	63	750-0566A	Spacer, .260 x .372 x 1.030
26	783-04011A	Lower Frame	64	683-04005A	Clutch / Brake Pedal Assembly
27	783-04031	LH Upper Frame Side Panel	65	735-0196	Foot Pad, 4.6
28	783-04032	RH Upper Frame Side Panel	66	750-0802	Spacer, 640 x 76 x 2.63
29	783-04213	Deck Anti-sway Bracket	67	720-04008	Shift Handle Grip
30	725-04039	Screw-mount Interlock Switch	68	732-04017	Compression Spring, .89 x 1.75
31	683-04048	Stabilizer Shaft Assembly	69	736-0300	Flat Washer, 406 x 875 x .059
32	711-04036	Ferrule, 1/2-20 x 50	70	747-04039	Speed Control Rod
33	711-04075A	Ferrule, 3/8-24 x .375	71	750-04080	Spacer, 640 x 1.0 x .78
34	712-0130	Hex Lock Nut, 3/8-16	72	725-1737A	Battery, 190 CCA
35	714-04023	Internal Cotter Pin, .080 x 1.56	73	712-3027	Flange Lock Nut, 1/4-20
36	732-04050A	Extension Spring, 1.07 x 9.52	74	734-0592	Wheel Ass'y Complete
37	736-0219	Bell Washer, .389 x 1.12 x .030	75	749-0334	Spacer
38	736-0267	Flat Washer, .385 x .87 x .060			

Wheel Assembly Complete	Rim Assembly	Tire Only	Air Valve
734-0592	634-0069	734-0294 (18 x 6.5 x 8)	734-0255

NOTE: Tractor features vary by model. NOT all parts listed above and pictured on the previous page are standard equipment



# Models 650 & 652

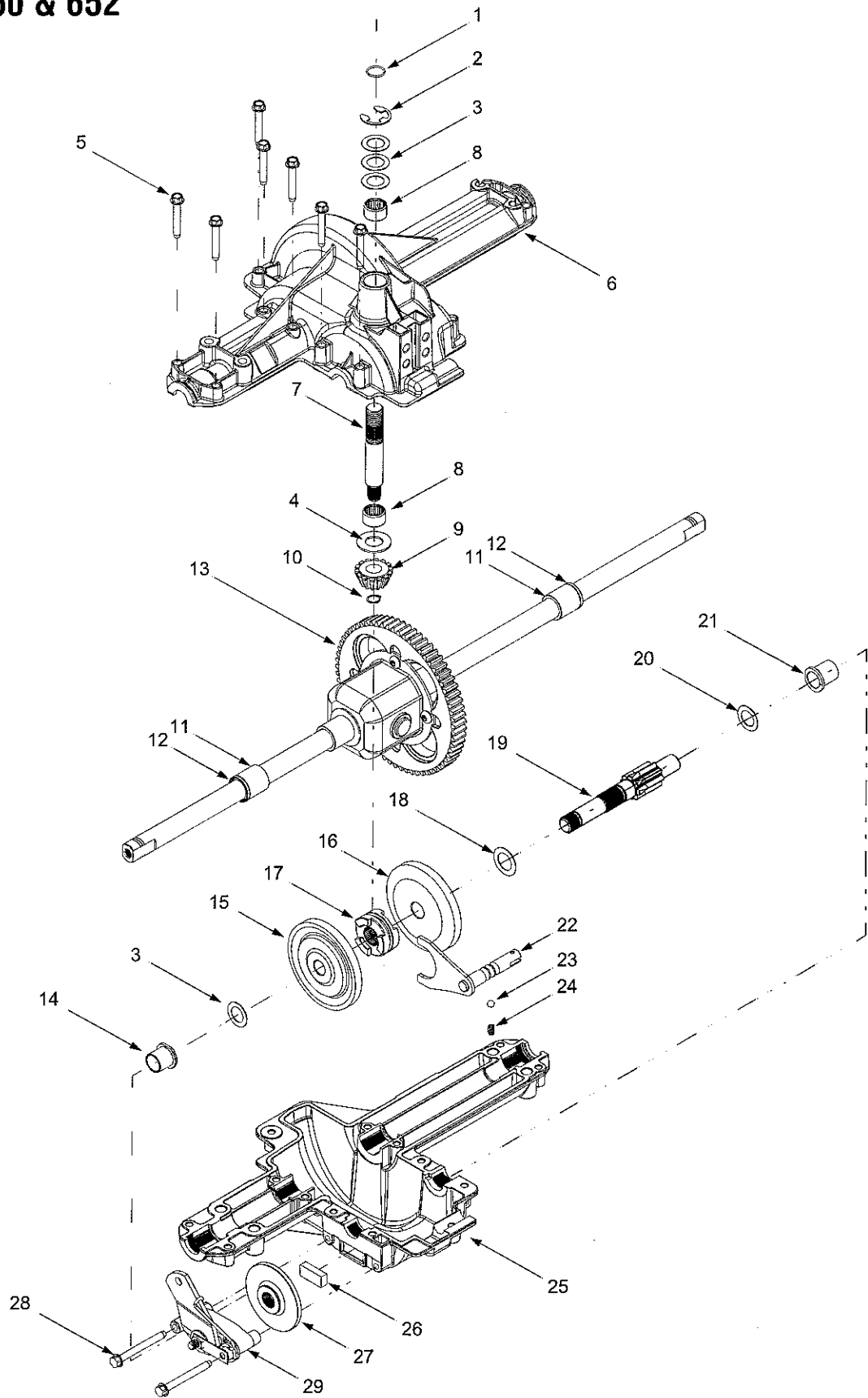


## Models 650 & 652

REF. NO.	PART NO.	DESCRIPTION
1	618-04034	Transmission, Single-speed
2	656-0059A	Variable-speed Pulley, 4.75
3	683-04055	Torque Bracket
4	683-04056	Variable-speed Bracket
5	683-04057	Variable-speed Bracket
6	710-0514	Hex Cap Screw, 3/8-16 x 1.0
7	710-0606	Hex Cap Screw, 1/4-20 x 1.5
8	710-0627	Hex Cap Screw, 5/16-24 x .75
9	710-1260A	Screw, 5/16-18 x .75
10	710-3015	Hex Screw, 1/4-20 x .75
11	712-0431	Flange Lock Nut, 3/8-16
12	712-0700	Flange Nut, 9/16-18
13	712-3027	Flange Lock Nut, 1/4-20
14	714-0209	Internal Cotter Pin, .125
15	718-04012	Bearing Cup
16	718-0758A	Pulley Hub, 5/8 Spline
17	736-0362	Flat Washer, .320 x 1.25 x .06
18	720-04028	Shift Knob
19	738-0372B	Shoulder Spacer, 1.0 x .38 x .38
20	741-0600	Ball Bearing, 17 x 40 x 12
21	747-04072	Shift Rod
22	750-04099	Stepped Spacer
23	754-04001A	Lower Drive Belt
24	754-04002	Upper Drive Belt
25	756-04002	Transmission Pulley, 7.25
26	710-0599	Self-tapping Screw, 1/4-20 x .5
27	647-04019	Shift Lever Assembly
28	711-0736	Ferrule, 1/4-20 x 1.0
29	714-0104	Cotter Pin, 1.13
30	714-0470	Cotter Pin, 1.25
31	732-04067	Spring Compression Clip
32	736-0275	Flat Washer, .344 x .688 x .065
33	17630A	Shift Lever Retainer

**NOTE:** Tractor features vary by model. NOT all parts listed above and pictured on the previous page are standard equipment.

# Models 650 & 652



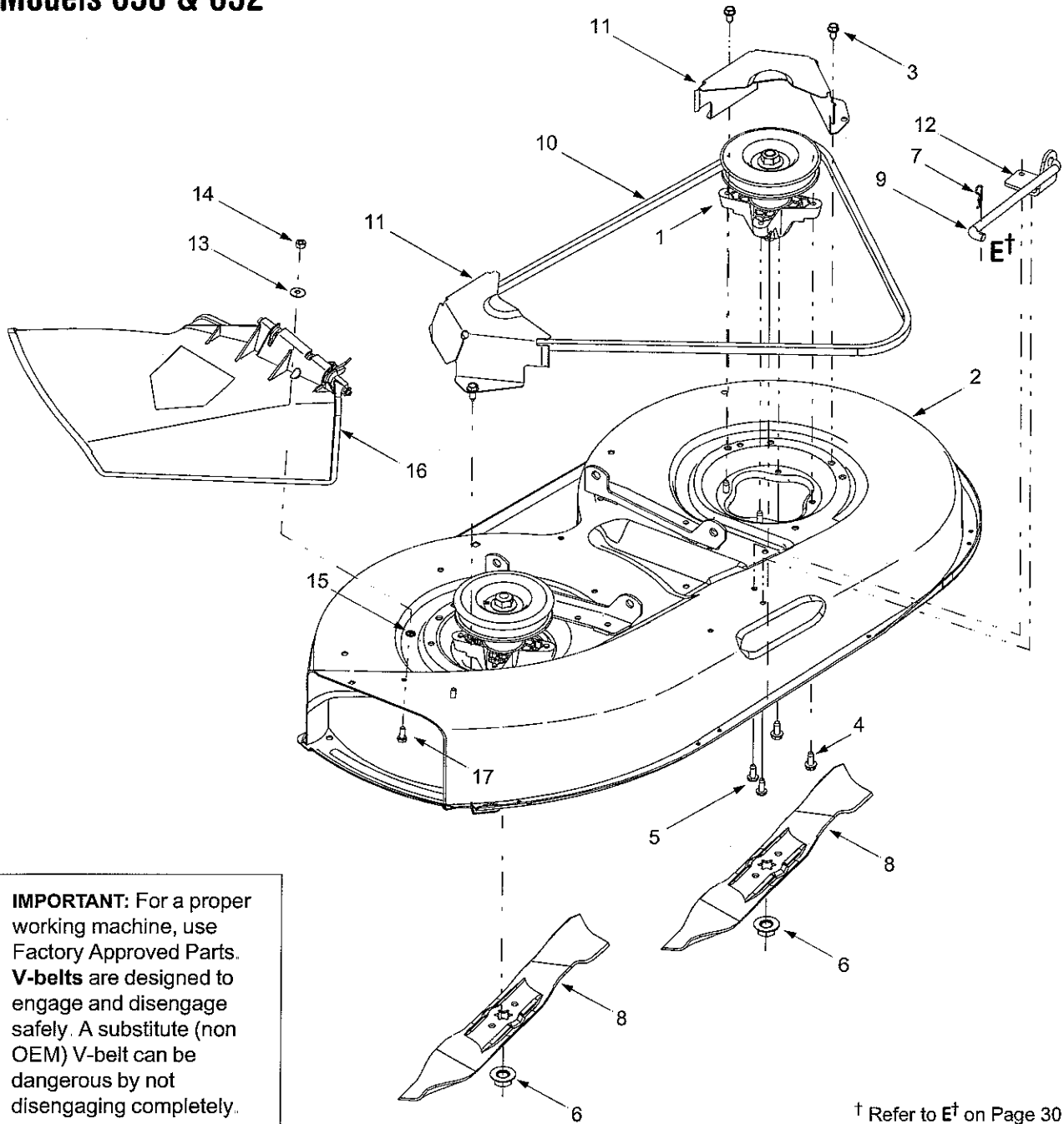
## Models 650 & 652

REF. NO.	PART NO.	DESCRIPTION
1	732-0614	Ring, Wire
2	716-0231	Ring, E Type, .750
3	736-0336	Flat Washer, 5/8 x 1 0 x .030*
	736-0337	Flat Washer, 5/8 x 1 0 x .040*
	736-0349	Flat Washer, 5/8 x 1.0 x .020*
4	736-0335	Washer, Thrust 635 x 1.26 x .06
5	710-1325	Self-tapping Screw, 1/4-20 x 1 625
6	719-04017	Upper Housing
7	711-1109	Input Shaft
8	741-0335	Needle Bearing, 625 x 813 x .495
9	717-1464	14-tooth Bevel Pinion
10	716-0108	Retaining Ring, 437
11	741-0340	Sleeve Bearing, 75 x 1 0 x 1 0
12	721-0338	Seal, 75 x 1 0 x 125
13	618-04041	Differential Assembly
14	741-0336	Flange Bearing, 5/8 x 3/4 x 3/4
15	717-1362	42-tooth Bevel Gear
16	717-1363	42-tooth Bevel Gear
17	718-0228	Clutch Collar
18	736-0519	Flat Washer, .70 x 1 125 x .031
19	711-04053	Drive Shaft
20	736-0495	Thrust Washer, 1.0 x .632 x 0
21	741-0337	Flange Bearing, 5/8 x 3/4 x 15/16
22	611-0011	Detent Shaft Assembly
23	741-0862	Detent Ball
24	732-0863	Compression Spring
25	719-04018	Lower Housing
26	717-0678	Brake Puck
27	761-0202	Brake Disc
28	710-1206	Self-tapping Screw, 1/4-20 x 2.375
29	661-0001	Brake Assembly
—	737-0148	Grease (19 oz )

\*Use applicable flat washer (12a, 12b or 12c) in this application allowing .0150/.0020 in. end-play

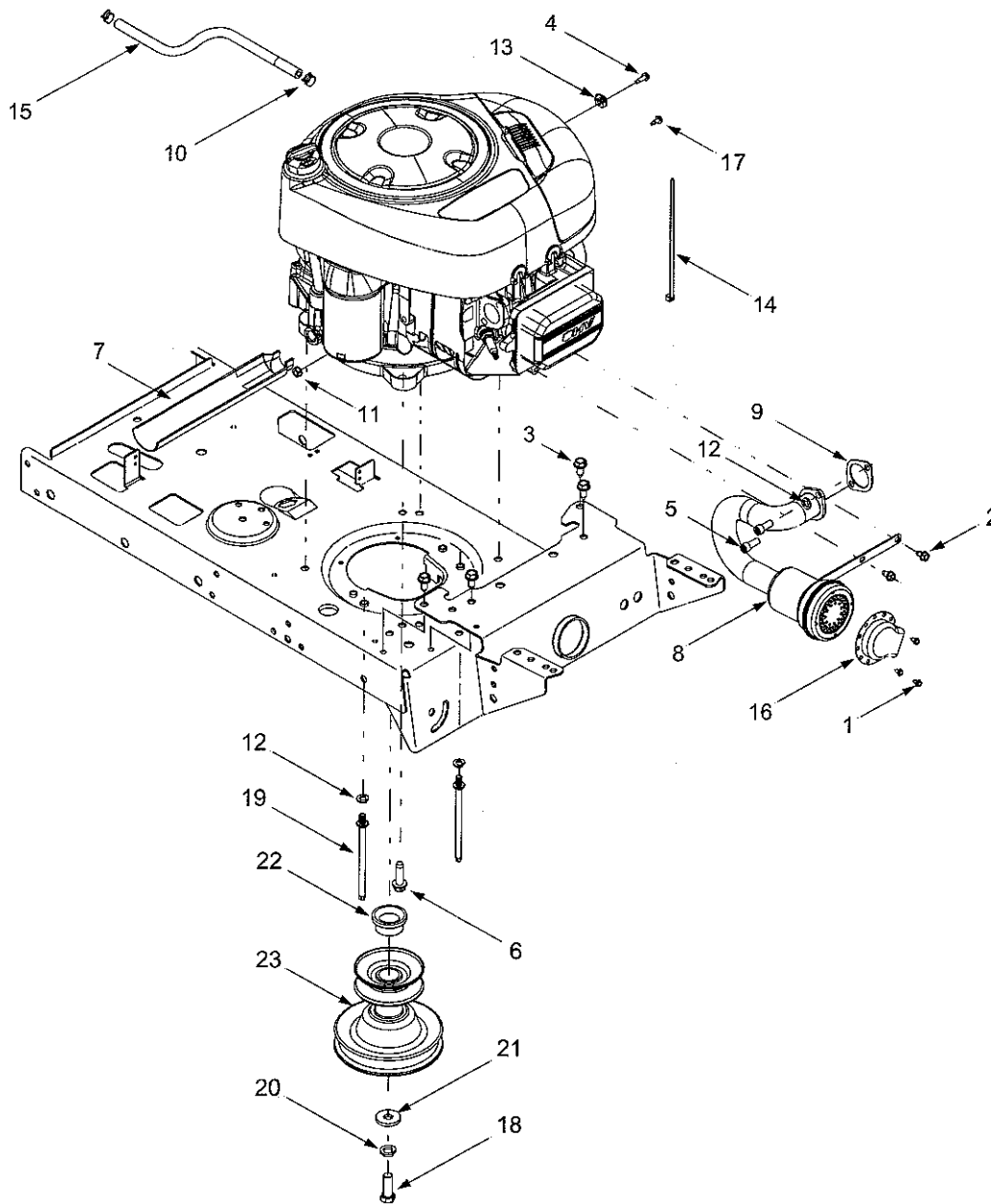
NOTE: If rebuilding the upper housing, include two ounces (2 oz ) of Unirex<sup>®</sup> N3 grease (Part No 737-0289) in the input shaft cavity.

# Models 650 & 652



REF. NO.	PART NO.	DESCRIPTION	REF. NO.	PART NO.	DESCRIPTION
1	618-0138A	Spindle Assembly	10	754-0329A	Deck Belt
2	683-04003A	Deck Shell	11	783-04148A	Belt Cover
3	710-0726	Self-tapping Screw, 5/16-12 x .75	12	783-04211	Anti-sway Stabilizer Bracket
4	710-1260A	Screw, 5/16-18 x .75	13	736-0270	Bell Washer, .265 x .75 x .062
5	710-1611B	Self-tapping Screw, 5/16-18 x .75	14	712-3006	Hex Nut, 1/4-20
6	712-0417A	Hex Flange Nut, 5/8-18	15	726-0233	Push Nut, 1/4
7	714-04023	Internal Cotter Pin, .080 x 1.56	16	731-1032B	Discharge Chute Assembly
8	742-0610A	Blade, 21.23"	17	710-0751	Hex Cap Screw: 1/4-20 x .620
9	747-04018A	Deck Hanger Link/Anti-sway Rod			

# Models 650 & 652



REF. NO.	PART NO.	DESCRIPTION	REF. NO.	PART NO.	DESCRIPTION
1	710-1502	Screw, #8-18 x .375	13	751B213146	Casing Clamp
2	710-0599	Self-tapping Screw, 1/4-20 x 5	14	725-0157	Cable Tie
3	710-0726	Self-tapping Screw, 5/16-12 x 75	15	751-0535	Fuel Line Hose
4	710-1237	Screw, #10-32 x .625	16	751B222261	Muffler Deflector
5	710-1314A	Socket Cap Screw, 5/16-18 x .625	17	710-0456	Screw, #10-16 x .5 (Throttle Stop)
6	710-1315	Self-tapping Screw, 3/8-16 x 1.25	18	710-3029	Hex Screw, 7/16-20 x 1.25
7	731-1682A	Oil Drain Sleeve	19	711-1044	Belt Keeper Pin, 5/16 x 4.75
8	751-9986	Muffer, Single Inlet	20	736-0171	Lock Washer, 7/16
9	721-0208	Exhaust Gasket	21	736-0322	Flat Washer, 450 x 1.25 x .164
10	726-0205	Hose Clamp, 490	22	750-0956	Spacer, 1.0 x 1.4 x .825
11	712-0271	Hex Sems Nut, 1/4-20	23	756-04023	Engine Pulley, 3.12 x 5.56
12	736-0119	Lock Washer, 5/16			

# Models 650 & 652

