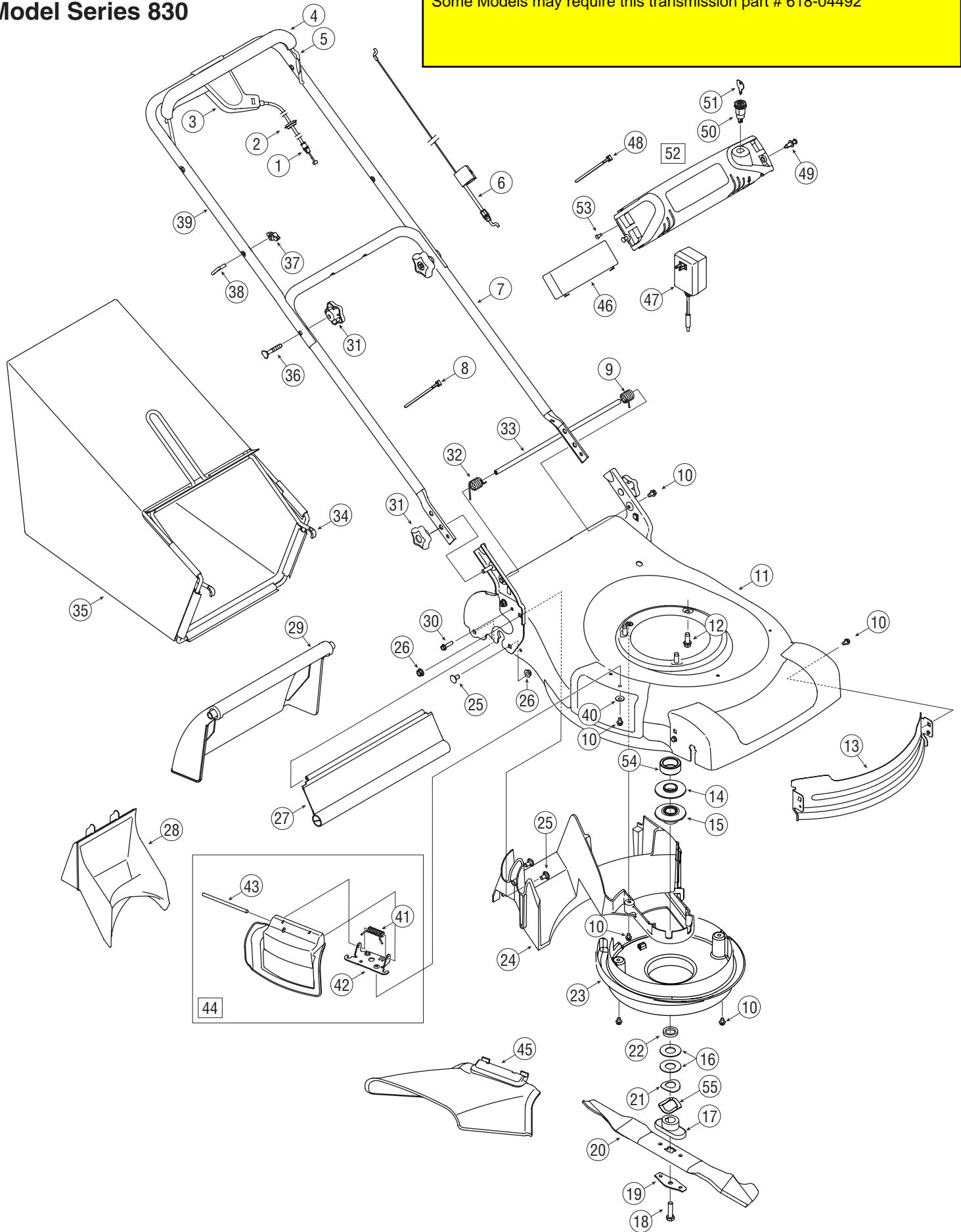


Model Series 830

*Some Models may require this transmission part # 618-04492



Ref. No.	Part No.	Description
1	746-04265A	Drive Cable
2	735-04059	Rubber Grommet
3	753-05096A	Drive Control Assembly
4	731-04859*	Bail Cover
5	747-1161A	Blade Control
6	746-04213	Control Cable
7	749-04037	Lower Handle
8	725-0157	Cable Tie
9	732-04265	Torsion Spring, LH
10	710-0599	TT Screw, 1/4-20 x .500
11	787-01341A	21-inch Deck
12	710-0654A	TT Screw, 3/8-16 x 1.00
13	787-01346	Front Deck Baffle
14	756-04157B††	Upper Engine Pulley
	756-04273‡	Upper Engine Pulley
15	756-04156B††	Lower Engine Pulley
	756-04272‡	Lower Engine Pulley
16	736-0514††	Flat Wash., .885 x 1.850 x .060
17	748-0376C††	Blade Adapter
	748-04096‡	Blade Adapter
18	710-1044	Screw, 3/8-24 x 1.50
19	736-0524B	Blade Bell Support
20	742-0741	21" Mulching Blade
21	736-0513††	Sprg Washer, .890 x 1.70 x .048
22	750-1071††	Sleeve Spacer, .88 x 1.13 x .12
	750-04818‡	Slv. Spcr., 25mm x 1.375 x .375
23	731-05903	Engine Baffle
24	731-05463A	Deck Baffle
25	710-0260A	Carriage Bolt, 5/16-18 x .62
26	712-04063	Flange Lock Nut, 5/16-18
27	731-05462A	Trailshield

Ref. No.	Part No.	Description
28	731-05157	Mulch Plug
29	731-05017A	Rear Door
30	710-1241	Screw, 1/4-15 x 1.00
31	720-04072	Star Knob
32	732-04264	Torsion Spring, RH
33	711-04374	Door Pivot Rod
34	647-04051	Grass Catcher Frame
35	664-04052A	Grass Catcher - Gray
	664-04046A	Grass Catcher - Black
36	710-1174	Carriage Bolt, 5/16-18 x 2.00
37	720-0279	Wing Nut
38	710-1205	Eye Bolt
39	749-04209†	Upper Handle
	749-04206	Upper Handle
40	736-0270	Bell Washer, .265 x .75 x .062
41	732-1014	Torsion Spring
42	17032A	Chute Deflector Adapter
43	747-0710	Hinge Pin
44	687-02055	Mulch Plug Assembly
45	731-04177	Side Discharge Chute
46	725-04323†	12 Volt Battery
47	725-04329†	Battery Charger
48	726-0240†	Cable Tie
49	728-0199†	Rivet
50	725-04347†	Key Switch
51	725-0201†	Key
52	625-04029†	Electric Starter Harness Ass'y.
53	710-1667A†	Screw, #10-16 x .750
54	750-04825‡	Sleeve Spacer
55	736-0447‡	Washer, Wave, 1.5 x 1.0 x .029

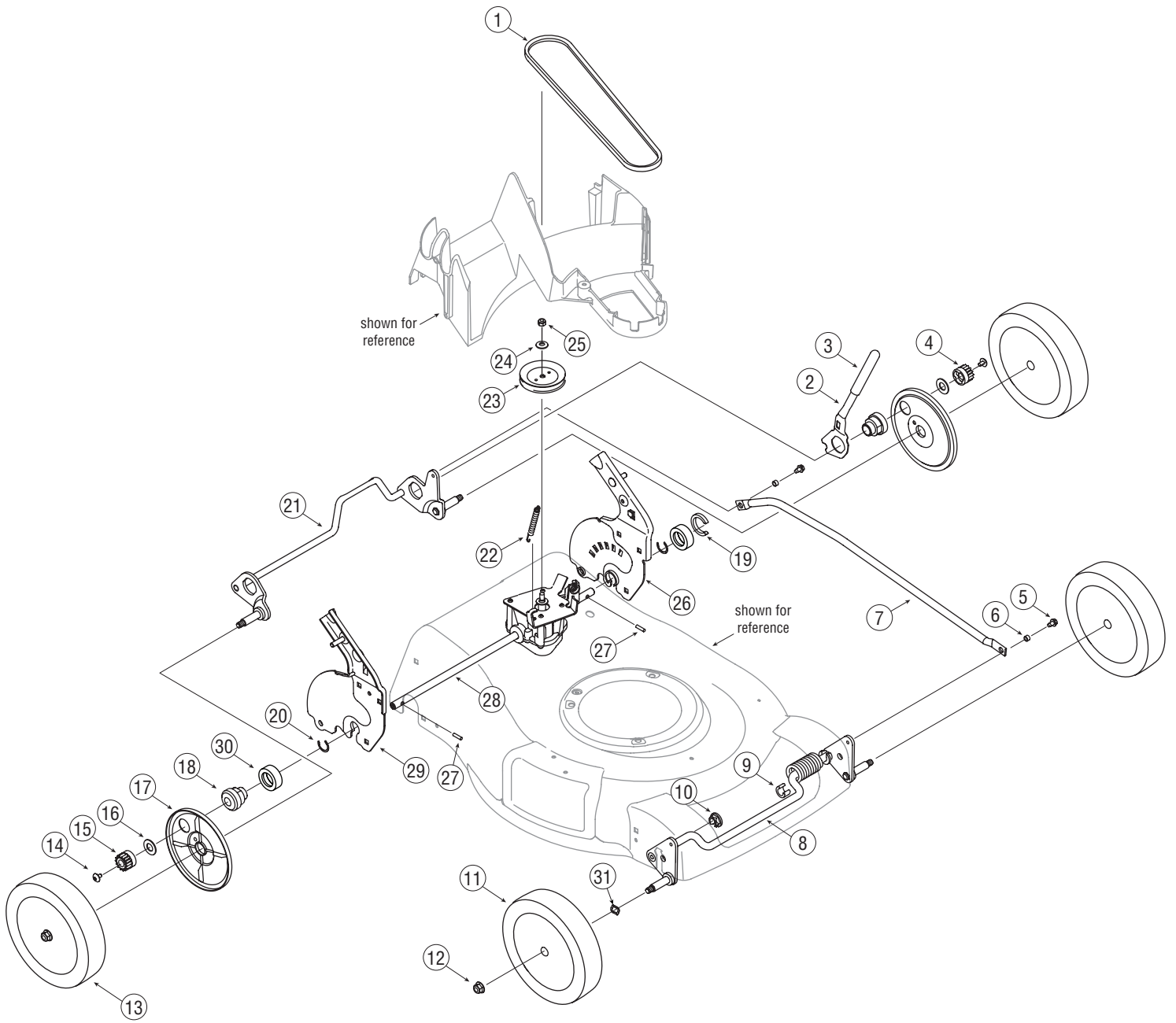
† Equipped with Electric Start Units

†† Equipped on Units with Briggs & Stratton Engine

‡ Equipped on Units with Honda Engine

* If Equipped

Model Series 830



Ref. No.	Part No.	Description
1	754-04093	V-Belt
2	732-04338	Spring Lever
3	720-0230	Foam Grip
4	717-04184A	Spur Gear, 14T - LH
5	710-0599	TT Screw, 1/4-20 x 0.50
6	750-04305A	Spacer
7	749-04267A	Cross Bracket
8	687-02204	Front Bracket Assembly
9	731-05470	Clip Spacer
10	741-04136B	Split Hex Flange Bearing
11	734-04033	Front Wheel
12	712-04065	Flange Lock Nut, 3/8-16
13	634-04207D	Rear Wheel
14	710-04531	Screw, 1/4-20 x .39
15	717-04192A	Spur Gear, 14T - RH
16	736-3084	Flat Washer
17	782-7551A	Wheel Dust Cover
18	748-04159	Transmission Bearing Support
19	750-04317	Clip Spacer
20	716-0198	Retaining Ring .875
21	687-02314	Rear Bracket Assembly
22	732-0320	Extension Spring
23	756-04151A	Pulley, 3.36 OD
24	736-0105	Bell Washer, .375 x .870 x .063
25	712-0411	Hex Lock Nut, 5/16-24
26	687-02205	Handle Bracket Assembly LH
27	715-0221	Dowel Pin
28	618-04378	Transmission Assembly
29	687-02206	Handle Bracket Assembly RH
30	748-0390	Bearing Support Spacer
31	736-0504	Washer, Wave, .510 x .750 x .017

#28 *Check the Transmission for the part# for correct number. Some transmissions are part # 618-04492