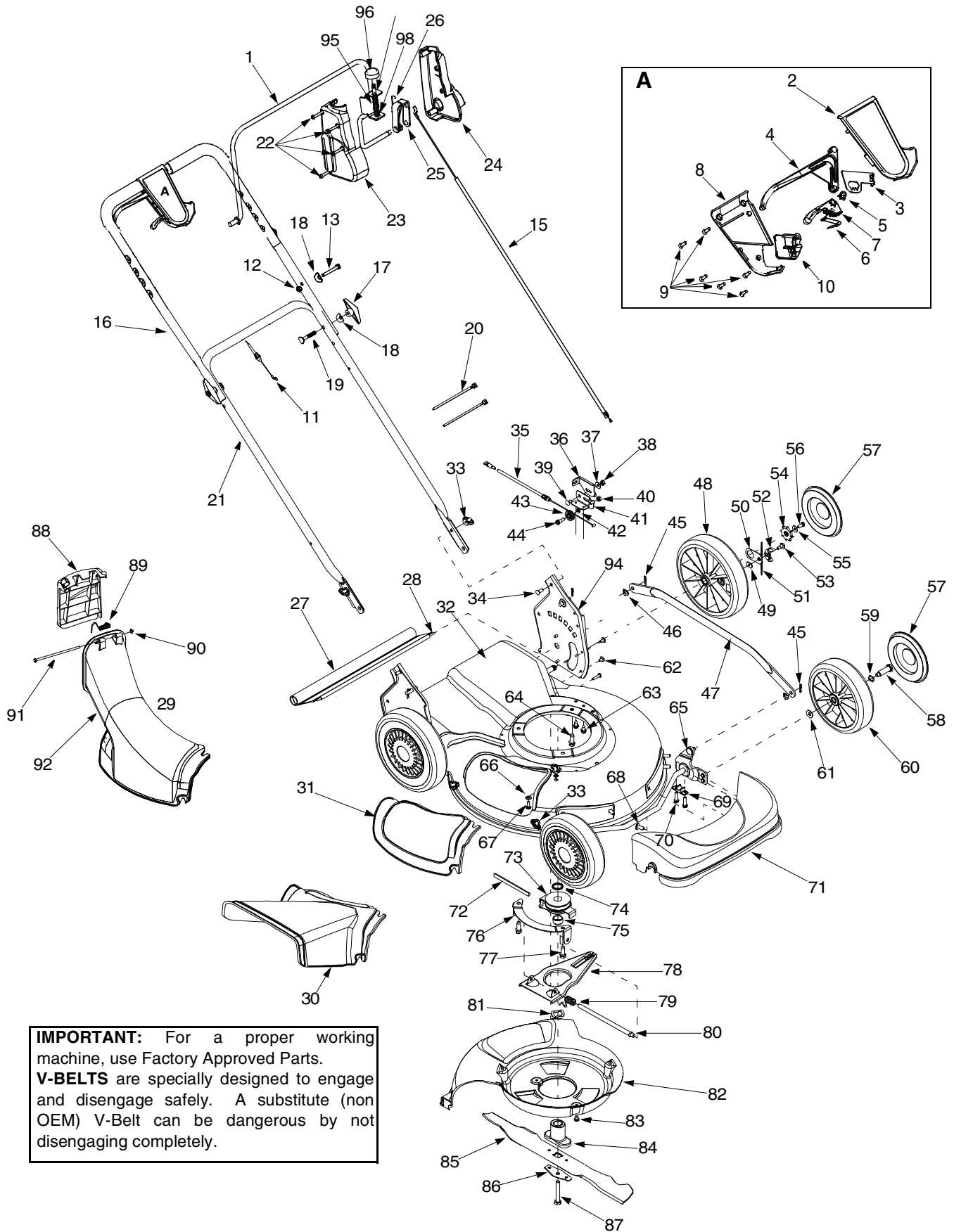


# PARTS LIST FOR MODEL 12AS979

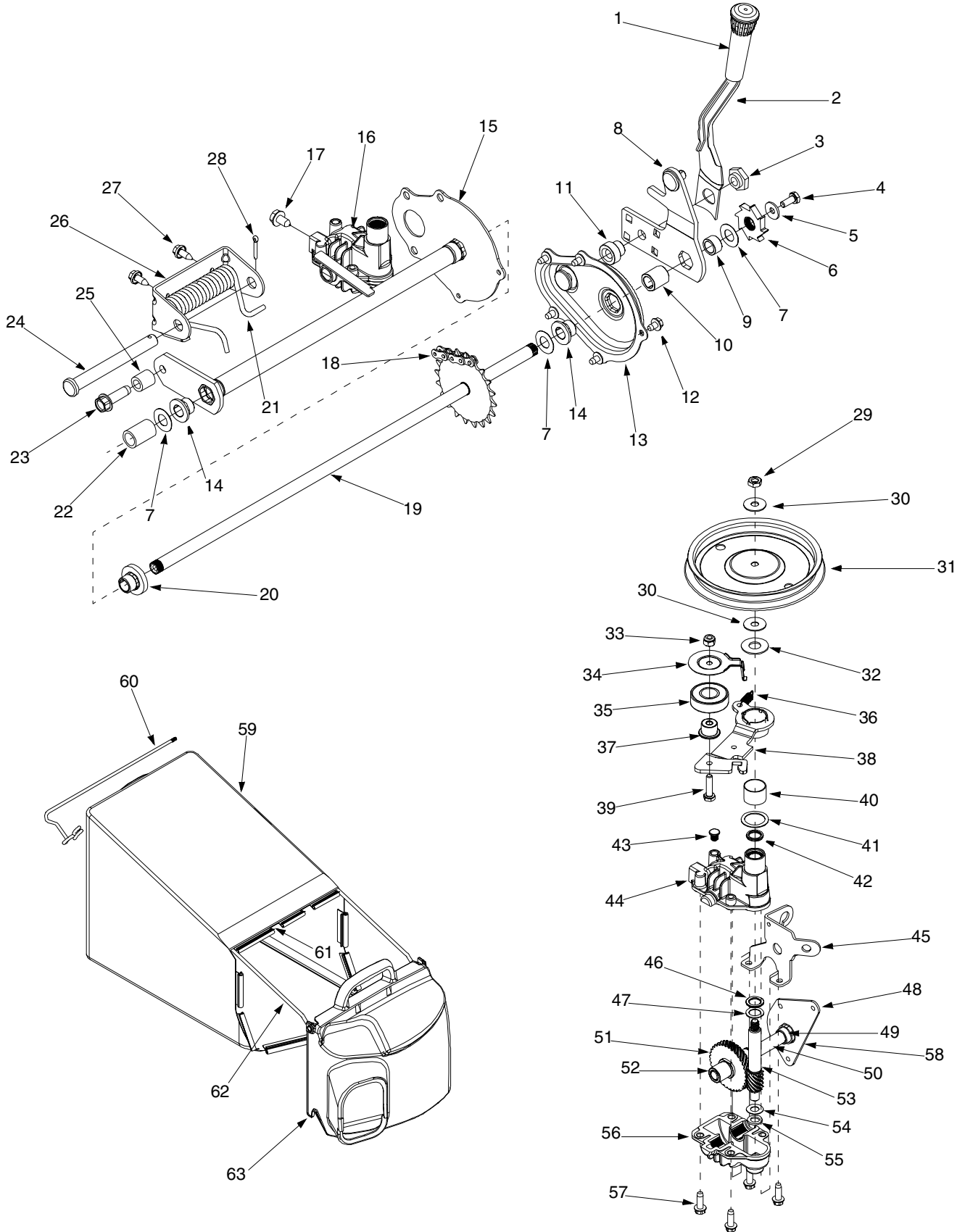


**IMPORTANT:** For a proper working machine, use Factory Approved Parts. **V-BELTS** are specially designed to engage and disengage safely. A substitute (non OEM) V-Belt can be dangerous by not disengaging completely.

# Model S979

Ref. No.	Part No.	Description	Ref. No.	Part No.	Description
1.	647-0070	Control Handle	50.	16855	Ratchet Pawl Plate
-	731-2623	Bail Cover (Not shown)	51.	10622B	Plastic Spring Ratchet
2.	731-0904A	Upper Control Handle	52.	748-0381	Pawl RH
3.	16864	6 Spd. Rack Cable Bracket		748-0188B	Pawl LH
4.	731-0620	Control Lever	53.	738-0137A	Shld Screw .340 ID x .285 OD
5.	713-0397	Gear Insert	54.	748-0318	Wheel Ratchet
6.	732-0627	Shift Lever Spring	55.	736-0270	Bell Washer .265 ID x .75 OD
7.	731-0924	6 Speed Shift Lever	56.	710-0751	Hex Cap Screw 1/4-20 x .620
8.	731-0905A	Lower Control Housing	57.	731-0981A	Hubcap
9.	710-1667A	C Sunk Tap Screw #10 x .75 Lg	58.	738-0102	Shoulder Screw .498 x 1.445
10.	731-0906	Cable Mounting Cap	59.	736-0504	Wave Washer .510 ID x .750 OD
11.	746-0711A	Drive Cable 51.0	60.	734-2004A	Wheel 8 x 2
12.	712-0324	Hex Lock Nut 1/4-20 Gr. 8	61.	736-0105	Spring Washer .401 ID x .870 OD
13.	710-0501	Hex Hd. Cap Screw 1/4-20 Gr. 5	62.	710-1348	Screw 1/4-14 x .500
14.	710-1270	Oval C-Sunk Screw	63.	710-0896	Screw 1/4-14 x .625
15.	746-1141	Control Cable 58.25"	64.	710-0654A	Hex Washer Screw 3/8-16 x 1.0
16.	749-1405A	Upper Handle	65.	611-0064	Front Axle Assembly
17.	720-0284	Wing Nut	66.	736-0204	Flat Washer .344 ID x .62 OD
18.	736-0451	Saddle Washer .320 ID x .830 OD	67.	710-0703	Carriage Screw 1/4-20 x .75
19.	710-1174	Carriage Bolt 5/16-18 x 2.0	68.	710-1242	Torx Screw
20.	726-0240	Cable Tie	69.	741-0492A	Block Bushing
21.	749-0907B	Lower Handle	70.	710-1241	Hex Washer Screw
22.	710-1256	Hi-Low Screw	71.	731-1836	Front Axle Cover
23.	731-2533	Control Cover RH	72.	754-0460	Belt 3/8 x 39.24
24.	731-2532	Control Cover LH	73.	656-0613	Pulley Assembly
25.	782-0156	Lever	74.	750-1071	Sleeve Spacer .88 ID x 1.13 OD
26.	732-1172	Torsion Spring	75.	750-1070	Sleeve Spacer .88 ID x 1.00 OD
27.	731-1901	Trail Shield	76.	782-7597	Pivot Bracket
28.	732-0842	Trail Shield Wire	77.	710-0654A	Screw 3/8-18 x 1.0
29.	631-0066	Chute Assembly	78.	782-7596	Control Arm
30.	731-1832	Side Discharge Chute	79.	732-0807	Torsion Spring
31.	731-1833	Mulch Cover	80.	711-1114	Pivot Shaft
32.	782-0078B	Deck 21"	81.	736-0526	Wave Washer 1.38 ID x .88 OD
33.	712-0397	Wing Nut	82.	731-1828	Baffle
34.	710-0703	Carriage Bolt 1/4-20 x .75	83.	710-0653	Screw 1/4-20 x 3.75
35.	746-0939	6 Speed Cable	84.	753-0609	Blade Adapter Kit
36.	782-7574A	Cable Adjustment Bracket	85.	742-0741	21" Mulching Blade
37.	736-0270	Bell Washer .265 ID x .75 OD	86.	736-0524A	Blade Bell Support
38.	712-0287	Hex Nut 1/4-20	87.	710-1257	Hex Bolt 3/8-24 x 2.5
39.	710-0167	Carriage Screw 1/4-20 x .50	88.	731-1874	Chute Door
40.	712-0138	Hex Nut 1/4-28	89.	732-0819	Torsion Spring
41.	782-7575A	Cable Mounting Bracket	90.	726-0111	Push Cap
42.	736-0329	Lock Washer 1/4	91.	747-0965	Pivot Rod
43.	756-0625	Roller Cable	92.	731-1713B	Discharge Chute
44.	738-0924	Shoulder Screw .375 ID x 1/4-14	94.	682-3052	Handle Bracket Assembly - RH
45.	714-0104	Cotter Pin		682-3053	Handle Bracket Assembly - LH
46.	736-0286	Bowed Washer	95.	732-1171	Compression Spring
47.	782-0565	Single Lever Control Arm	96.	720-0428	Button
48.	734-2044	Wheel 9 x 2	97.	715-0168	Pin
49.	712-0414	Top Lock Tab Weld Nut 1/4-20			

# Model S979



# Model S979

Ref. No.	Part No.	Part Description	Ref. No.	Part No.	Part Description
1.	720-0223	Grip	33.	712-0896	Hex Jam Nut 1/4-28
2.	732-0803A	Spring Lever	34.	782-7598	Belt Keeper
3.	738-0529	Shoulder Nut .825 x .165 Lg.	35.	741-0600	Bearing
4.	710-0751	Cap Screw 1/4-20 x .620	36.	732-0849A	Extension Spring
5.	736-0270	Bell Washer .285 ID x .75 OD	37.	750-1050	Flange Spacer
6.	748-0318	Wheel Ratchet	38.	682-0027A	Idler Bracket Assembly
7.	736-0369	Flat Washer .508 ID x 1.0 OD	39.	710-0299	Hex Cap Screw 1/4-28 x 1.0
8.	682-0531	Pivot Arm Assembly	40.	741-0682A	Bearing Sleeve
9.	750-0515	Spacer .510 ID x .70 OD	41.	736-0570	Flat Washer .885 ID x 1.45 OD
10.	741-0978	Sleeve Bearing .504 ID x .830 OD	42.	721-0329	Oil Seal
11.	750-1056	Shoulder	43.	721-0325	Plug
12.	710-0653	Tap Screw 1/4-20 x .375	44.	618-0253	Upper Housing Assembly
13.	682-7528	Chain Cover Assembly	45.	782-7601A	Cable Bracket
14.	741-0324	Flange Bearing .506 ID x .590 Lg	46.	741-0690	Bearing
15.	682-7526	Transmission Axle Assembly	47.	736-0616	Thrust Washer .504 ID x .70 OD
16.	618-0263A	Transmission Assembly Complete	48.	782-7595	Pivot Bracket
17.	710-0604A	Hex Screw 5/16-18	49.	741-0324	Flange Bearing
18.	713-0453	Chain	50.	711-1168	Output Shaft 6T
19.	638-0012	Rear Axle Assembly	51.	717-1469	Gear 34T
20.	741-0522	Flange Bearing .506 ID x .715 Lg	52.	741-0674	Bearing
21.	732-0832	Torsion Spring	53.	717-1487	Pinion Shaft 10T
22.	750-0151	Spacer .550 ID x .750 OD	54.	736-0314	Thrust Washer 3/8 x .70
23.	710-1315	Screw 3/8-16 x .25	55.	736-0569	Thrust Washer .388 x .625
24.	711-0835	Clevis Pin .50 Dia x 4.82 Lg.	56.	618-0252	Lower Housing Assembly
25.	750-0807	Spacer .385 ID x .624 OD	57.	710-0642	Hex Screw 1/2-20 x .75
26.	782-0568	Hgt Adjustment Spring Bracket	58.	611-0066	Shaft Assembly
27.	710-1652	Screw 1/4-14 x .825	59.	664-0182	Grassbag Assembly
28.	714-0474	Cotter Pin	60.	747-0940A	Support Rod w/ Rope Guide
29.	712-3025	Hex Jam Nut 5/16-24	61.	747-0939	Pivot Rod
30.	736-0425	Bell Washer .325 ID x .930 OD	62.	747-0937	Grassbag Frame
31.	756-0656	Pulley	63.	631-0071	Grassbag Cover
32.	736-3084	Flat Washer .510 ID x 1.120 OD			

# Safety & Decorative Labels S979

