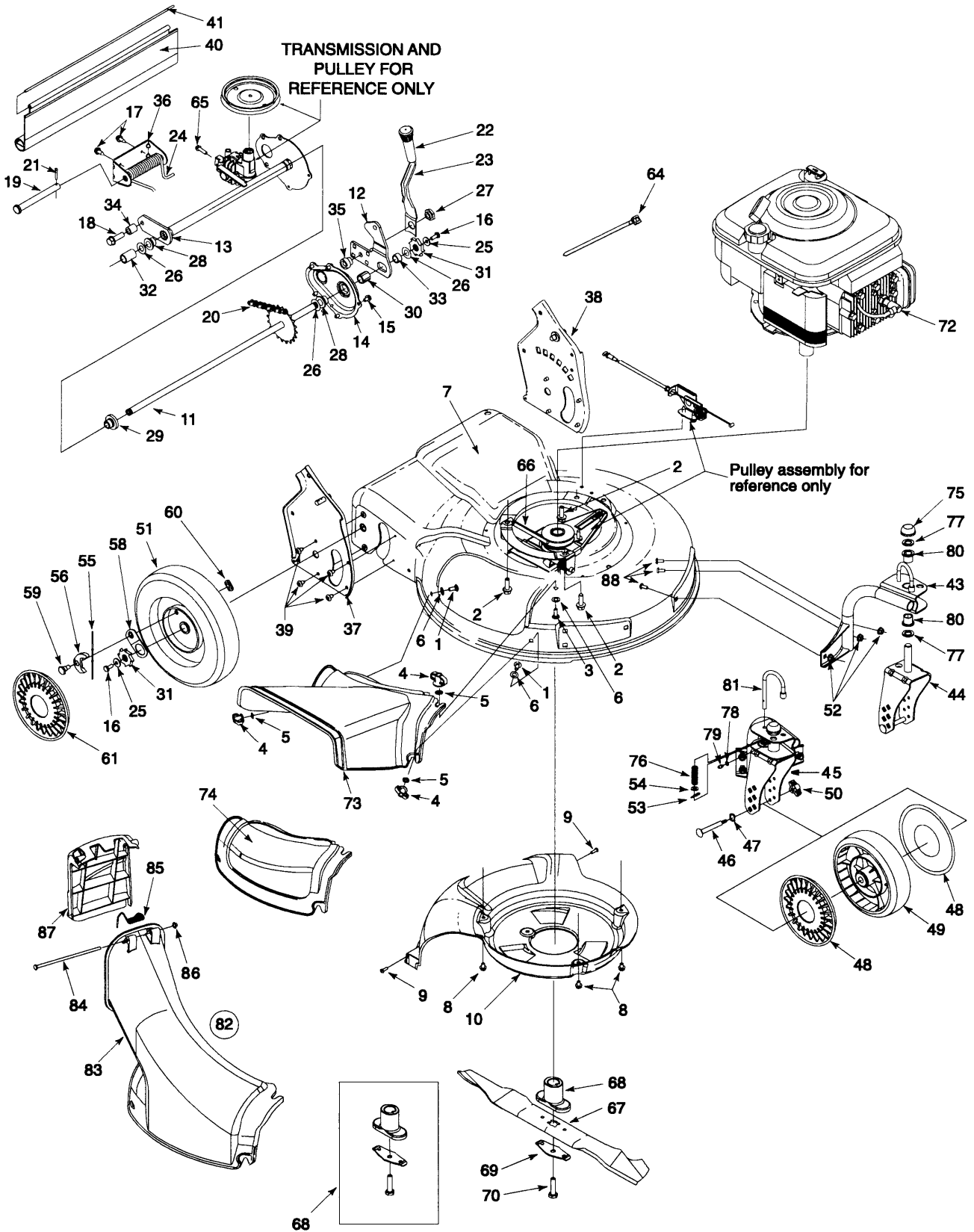


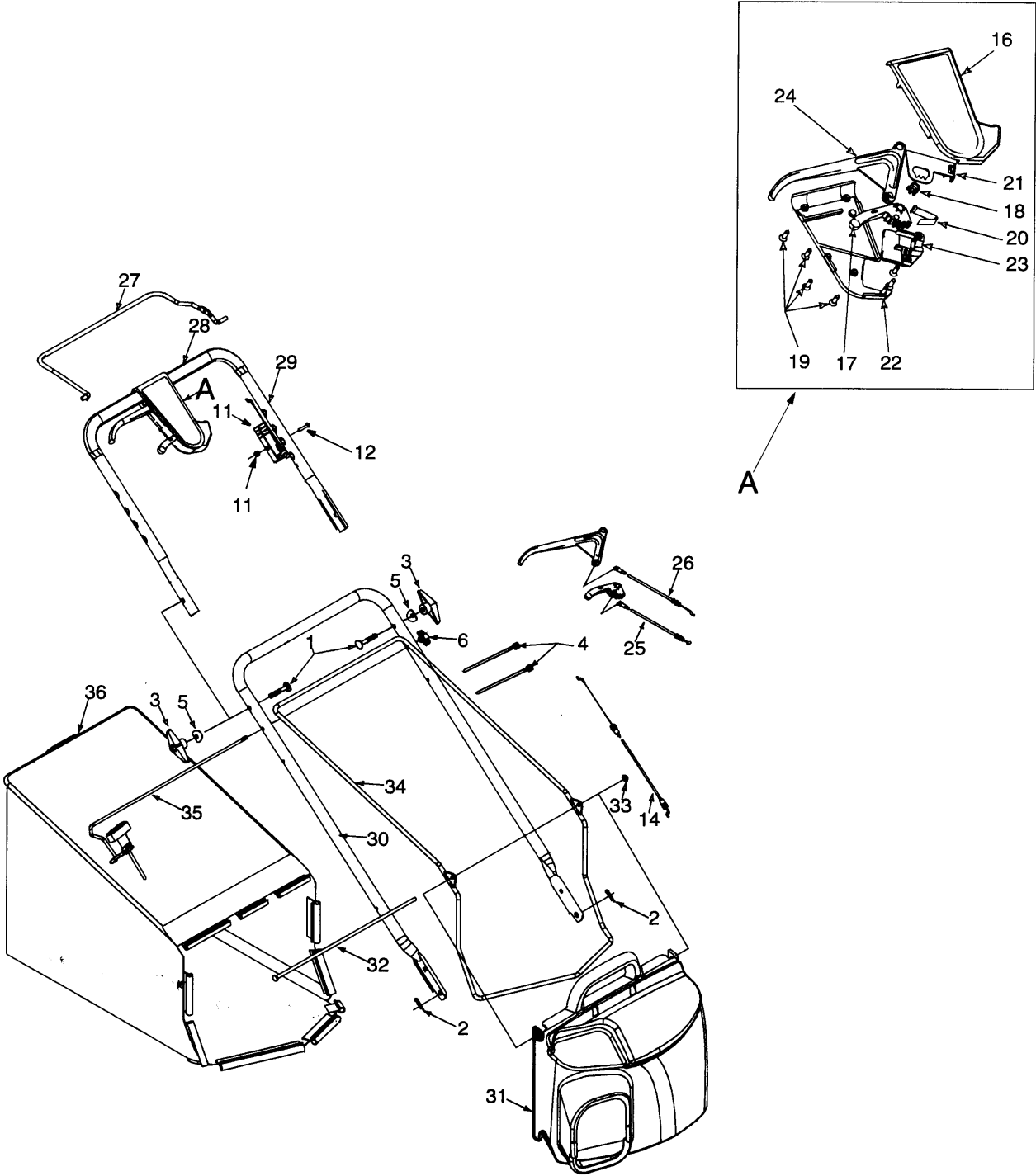
# Model 967



# Model 967

Ref. No.	Part No.	Code	Description	Ref. No.	Part No.	Code	Description
1	710-0134		Scr. Carr. 1/4-20 x .62	44	682-9024-0665		Caster Bracket Assembly: RH
2	710-0654A		Scr. TT:3/8-18:1.00	45	682-9026-0665	N	Caster Bracket Assembly: LH
3	710-0703		Scr. 1/4-20 x .750	46	711-1146		Caster Axle .374 Dia x 2.50"
4	712-0397		Wing Nut 1/4-20	47	736-0232		Wave Washer
5	723-0233		Nut, Push .25 I.D. x .50 O.D.	48	731-1887		Hub Cap, Gray w/ hole
6	736-0204		Wash. Fl. .334 I.D.x .62 x.03	49	734-1849	N	Wheel 7 x 2 Gray
7	782-0078-0689		Deck - 21"	50	712-0397		Wing Nut 1/4-20
8	710-0653		Scr. TT. 1/4-20 x .375	51	734-1850		Wheel 9 x 2 Gray, Slv.
9	710-1220		Scr. HL. 1/2-14 x .750	52	712-3004A		Lock Nut 5/15-18
10	731-1828		Baffle	53	714-0104		Cotter Pin .072 x .12 Lg.
11	638-0012		Rear Axle Assembly	54	736-0264		Fl. Wash. .330 x .830 x .060
12	782-0566		Pivot Arm Assembly	55	10622B		Spring, Ratchet, Plastic
13	682-7526		Trans. Axle Assembly	56	748-0381		Pawl - R.H.
14	682-7528		Chain Cover Assembly		748-0188B		Pawl - L.H. (Not Illustrated)
15	710-0653		Scr. TT 1/4-20 x .375	58	16855		Ratchet Pawl Plate
16	710-0751		Cap Screw HH 1/4-20 x .620	59	738-0137A		Scr. Shld. .340 x .285
17	710-0896		Scr. AB 1/4-14 x .825	60	712-0414		Top Lock Tab Weld Nut 1/4-20
18	710-1315		Scr. 3/8 116 x .25	61	731-1887		Hubcap -Gray
19	711-0835		Clevis Pin .50 Dia. x 4.82 Lg.	64	725-0157		Cable Tie
20	713-0453		Chain-Endls. #48 .500P x 24L	65	710-0604		Hex Scr. 5/16-18
21	714-0474		Cotter Pin .125O.D. x .75	66	754-0460		Belt
22	720-0223		Grip	67	742-0741		21" Mulching Blade
23	732-0803A		Spring Lever	68	753-0609		Blade Adapter Kit
24	732-0832		Torsion Spring	69	736-0524A		Blade Bell Suport
25	736-0270		Bell Wash. .285 x .75 x .082	70	710-1257		Hex Bolt 3/8-24x2.5"Lg.
26	736-0369		Fl. Wash..508 I.D. 1.000 x.020	72	735-0639		Spark Plug Insulator
27	738-0529		Nut Shld. .825 Dia. x .165 Lg.	73	731-1832		Side Discharge Chute
28	741-0324		Hx.Flg. Brg..506 I.D. x .590 L.	74	731-1833		Mulch Cover
29	741-0522		Hx.Flg. Brg. .506 I.D. x.715 L.	75	726-0214		Push Cap
30	741-0978		Hx. Slv. Brg..504 I.D. x .830 L.	76	732-0306		Compression Spring
31	748-0318		Wheel Ratchet	77	736-0366		Fl. Wash. .5/8 I.D. x 1" O.D.
32	750-0151		Spa. .550 I.D. x /750 O.D.	78	736-0931		Fl. Wash. .203 x .403 x .040
33	750-0515		Spa. .51 .D. x .70 O.D. x 38 L.	79	737-3000		Fitting - Grease
34	750-0807		Spa. .385 x .624 x .700	80	741-0685		Flange Bearing
35	750-1056		Shld. Spa. .385 I.D. X .715 Lg.	81	747-0924		Locking Pin
36	782-0568		Brkt. - Ht. Adj. Spring	82	631-0066		Chute Ass'y
37	682-3052-0665		Handle Brkt. Ass'y. R.H.	83	731-1713A	N	Discharge Chute
38	682-3053-0665		Handle Brkt. Ass'y. L.H.	84	747-0965		Pivot Rod
39	710-1348		Scr. AB 1/4-14 x .500	85	732-0819		Torsion Spring
40	731-1901		Trail Shield	86	726-0111		Push Cap
41	732-0842		Trail Shield Wire	87	731-1874		Chute Door
43	682-9021A-0665		Caster Assembly L.H.	88	710-0260		Carr. Bolt 5/16-18 x.62
	682-9020A-0665		Caster Assembly R.H. (Not Shown)				

# Model 967

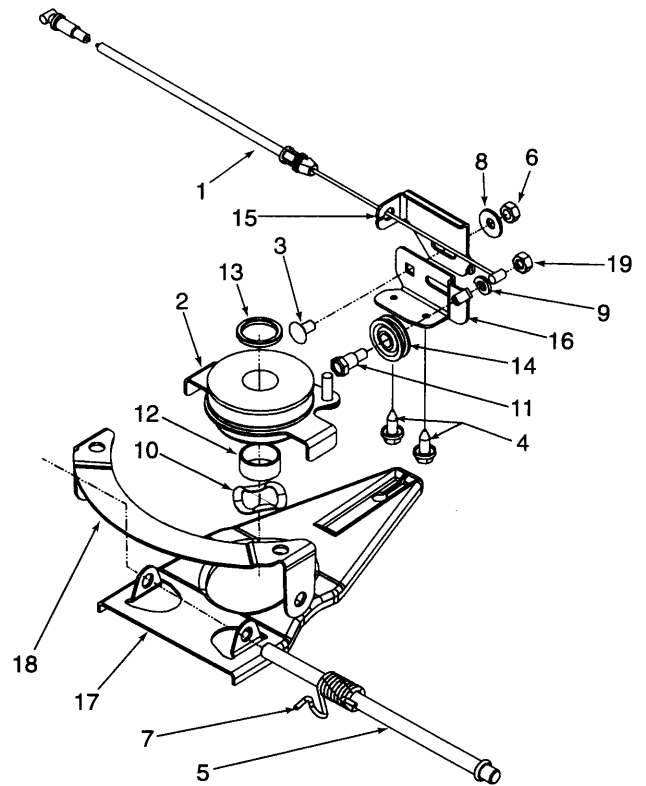


# Model 967

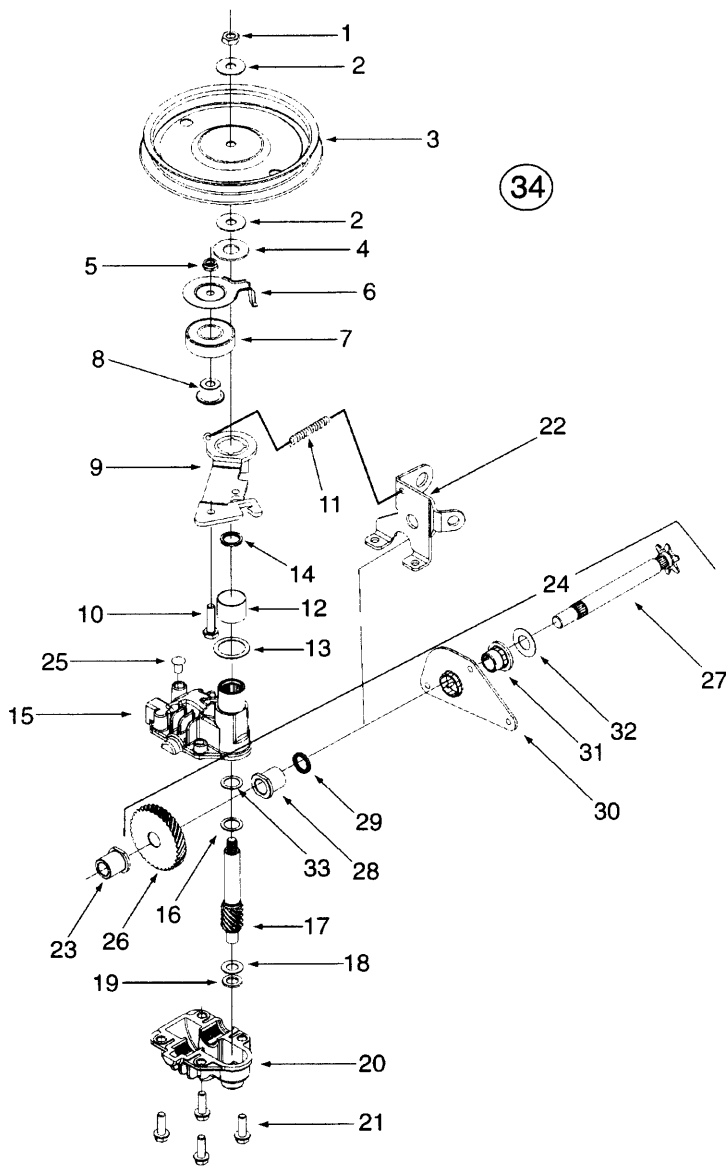
Ref. No.	Part No.	Code	Description	Ref. No.	Part No.	Code	Description
1	710-1174		Bolt Cur. Carr. 5/16-18 x 2.0	22	731-0905		Lower Control Housing
2	714-0104		Cotter Pin .072 x 1.12 Lg.	23	731-0906		Cable Mounting Cap
3	720-0241		Knob Ass'y Wingnut 5/16-18	24	731-0620		Control Lever
4	726-0240		Strap 4.3 Lg.	25	746-0939		6 Spd. Cable
5	736-0451		Wash. Sad. .320 ID x .830 OD	26	746-0710A		S.P. Cable
6	712-0429	N	Hex Nut 5/16 Thd.	27	747-0824		Control Handle
11	746-0883		Control Cable Box	28	720-0294		Foam Grip (2 Reqd.)
12	710-0605		Oval-C-Sunk Screw	29	749-0439B		Upper Handle
13	712-0324		Hex L-Nut 1/4 - 20 Thd.	30	749-0907A	N	Lower Handle
14	746-0922	N	Control Cable 60" Lg.	31	631-0071		Grassbag Cover w/Label
16	731-0904		Upper Control Housing	32	747-0939		Pivot Rod
17	731-0924		6 Speed Shift Lever	33	726-0106		Cap Nut
18	713-0397		Gear Insert	34	747-0937		Frame - Grassbag
19	710-0841		C Sunk Tap Screw #10 x .75	35	747-0940A	N	Rod, Support
20	732-0627		Shift Lever Spring	36	664-0076		Grassbag
21	16864		6 Spd. Rack Cable Brkt.				

# Pulley Assembly

Ref. No.	Part No.	Code	Description
1	746-0939		6 Spd. Cable
2	656-0613		Pulley Ass'y Multi-Spd.
3	710-0167		Scr. 1/4-20 x .50 Carr.
4	710-0896		Scr. AB 1/4-14 x .625 Hex wash
5	711-1114		Pivot Shaft
6	712-0287		Nut 1/4-20
7	732-0807		Torsion Spring LH
8	736-0270		Bell Wash. .265 X .75 X .062
9	736-0329		Lock Wash. 1/4 Reg Duty
10	736-0526		Wave Wash. 1.38 x .88 x .029
11	738-0924		Shld.Scr. .340 x .350 x 1/4-20
12	750-1070		Slev Spcr .88 ID x 1.00 OD x .48
13	750-1071		Slev Spcr .88 ID x 1.13 ID x .12
14	756-0625		Roller Cable
15	782-7574-0665		6 Spd. Cable Adj. Bracket
16	782-7575-0665		6 Spd. Cable Mt. Bracket
17	782-7596		6 Sp. Control Arm
18	782-7597		6 Sp. Pivot Bracket
19	712-0138		Hex Nut 1/4-28



# Transmission Assembly: 618-0263A



Ref. No.	Part No.	Code	Description
1	712-3025		Hx. Jam Nut 5/16-24
2	736-0425		Bell Wash. .325 x .930 x .045
3	756-0656		Pulley
4	736-3084		Fl. Wash. .510 x 1.120 x .060
5	712-0896		Hx. Jam Nut 1/4-28
6	782-7598		Belt Keeper
7	741-0600		Bearing
8	750-1050		Flange Spacer
9	682-0027A	N	Idler Bracket Assembly
10	710-0299		Hx. Cap Scr. 1/4-28 x 1.00 Gr. 5
11	732-0849A	N	Extension Spring
12	741-0682A	N	Bearing Sleeve
13	736-0570		Fl. Wash. .885 x 1.145 x .030
14	721-0329		Oil Seal
15	618-0253		Upper Housing Assembly
16	736-0616	N	Thrust Wash. .504 x .700 x .030
17	717-1487	N	Pinion Shaft 10 T.
18	736-0314		Thr. Wash. 3/8 x .70 x .030
19	736-0569		Thr. Wash. .388 x .625 x .062
20	618-0252		Lower Housing Assembly
21	710-0642		Hx. Scr. 1/2-20 x .75
22	782-7601A	N	Cable Bracket
23	741-0674		Bearing
24	611-0066		Shaft Assembly
25	721-0325		Plug
26	717-1469		Gear 34 T.
27	711-1168		Output Shaft 6 T.
28	741-0673		Flange Bearing
29	721-0329		Oil Seal
30	782-7595		Pivot Bracket
31	741-0324		Flange Bearing
32	736-0369		Wash. Fl. .508 I.D. x 1.00 O.D. x .020
33	741-0690	N	Bearing
34	618-0263A		Transmission Comp.