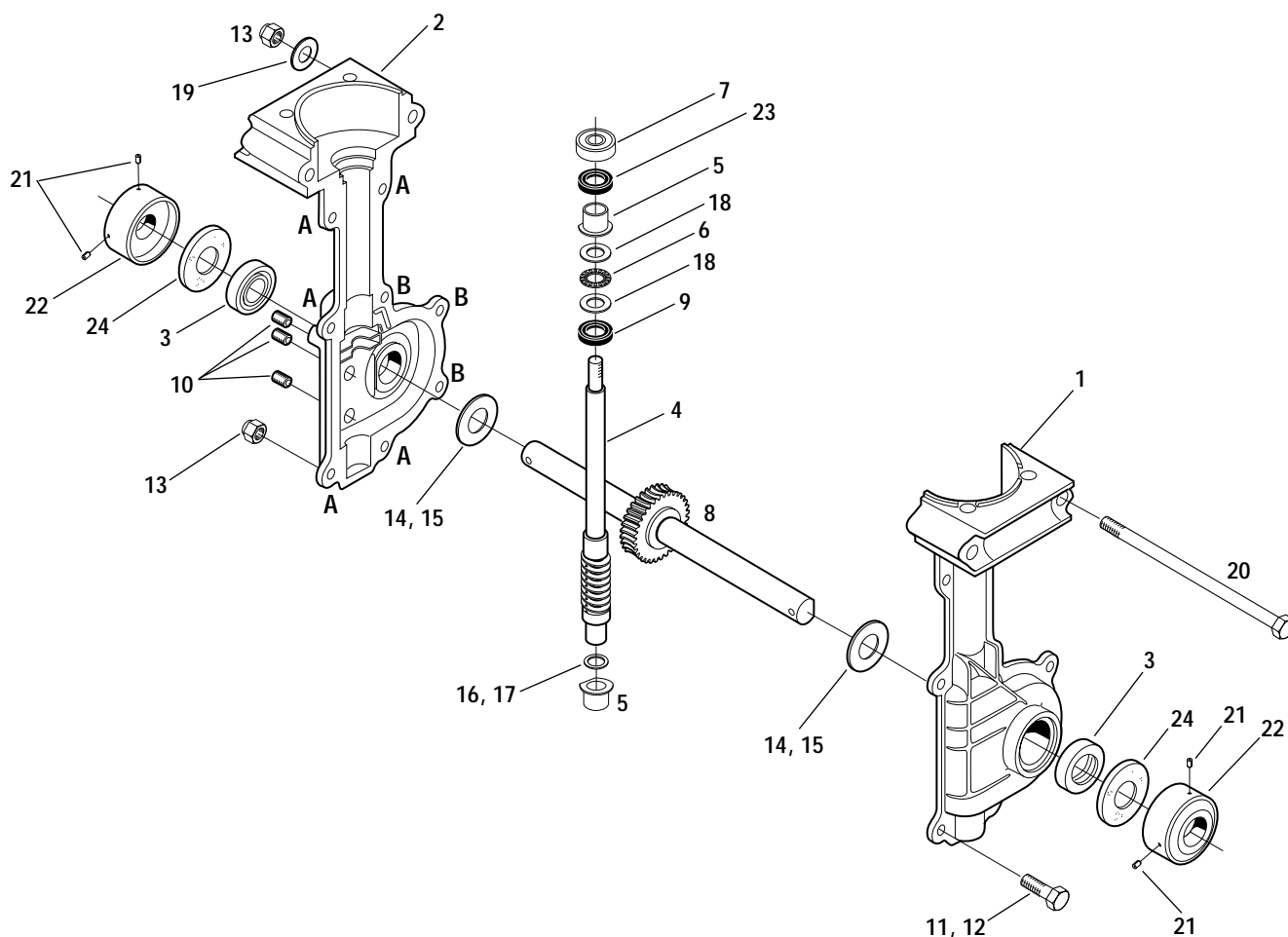


DRAWING NO. 1



Ref. #	Part #	Description	Qty.
1	1915039	Transmission Case - left-side. (Incl. pressed-in bushing)	1
2	1915040	Transmission Case - right-side. (Incl. pressed-in bushing)	1
3	1983632	Oil Seal	2
4	1918308	Worm Input Shaft Assembly	1
5	1983731	Input Bearing	2
6	1983636	Thrust Bearing	1
7	1983637	Ball Bearing	1
8	1904416	Shaft Assembly. (Incl. pressed-on worm gear and two ring lock pins)	1
9	1909923	Oil Seal, Input	1
10	1185741	Plug, 1/8	3
11	1111600	Hex Screw, 1/4-20 x 7/8 (five locations, identified as "A" on transmission case)	5

Ref. #	Part #	Description	Qty.
12	1100069	Hex Screw, 1/4-20 x 1 (three locations, identified as "B" on transmission case)	3
13	1817146	Locknut, Nyloc, 1/4-20	8
14	1983635	Thrust Washer, Output (.050")	A/R
15	1983640	Thrust Washer, Output (.040")	A/R
16	1983641	Thrust Washer, Input (.020")	A/R
17	1983642	Thrust Washer, Input (.035")	A/R
18	1983638	Thrust Washer	2
19	1107381	Flat Washer, 1/4	2
20	1983663	Hex Hd. Screw, 1/4-20 x 5	2
21	1747166	Set Screw, 1/4-28 x 3/8	4
22	1915055	Dust Cover	2
23	1918052	Oil Seal, Input	1
24	1983713	Felt Washer	2

A/R – As Required

Model 12228

Ref. #	Part #	Description	Qty.	Ref. #	Part #	Description	Qty.
1	1918087	Handlebar Assy. (Incl. Refs. 2, 3, 4 & 5).....	1	32	1909539	Inner Tine - Right-Hand Side	1
2	1909936	Decal - On/Off Ignition Switch.....	1	33	1909712	Outer Tine - Left-Hand Side	1
3		Part not used on Model 12228		34	1909711	Inner Tine - Left-Hand Side.....	1
4	1918221	Decal - Throttle/Tines Control Lever Operation	1	35	1909680001	Wheel Bracket.....	1
5	1917451	Handlebar Grip, PVC	2	36	90077	Carriage Bolt	1
6	1917755	Throttle Lever and Cable	1	37	1909835	Knob	1
7	1750608	Pan Hd. Screw, #10-16 x 1-1/2.....	1	38	1100069	Hex Hd. Screw, 1/4-20 x 1	3
8	1731025	Saddle Hd. Screw, 5/16-18 x 2	2	39	1909517001	Axle.....	1
9	1909775	Spacer, Throttle Lever.....	1	40	1909853	Wheel.....	2
10	1983718	On/Off Ignition Switch.....	1	41	9532	E-Ring.....	4
10A	1981012001	Bracket - On/Off Ignition Switch	1	42	1904321	Ring Lock Pin	2
11	1766503	Phillips Hd. Screw, #12-24	1	43	1981022010	Tine Hood Cover	1
12	1918051	Wire Assy. - On/Off Ignition Switch	1	44	1763767	Knob	2
13	1763682	Plastic Wire Tie	6	45	1177038	Lock Washer, 5/16.....	2
14	1917576001	Lower Handlebar - Left-Side	1	46	90041	Hex. Hd. Screw, M6 x 20	4
15	1917575001	Lower Handlebar - Right-Side.....	1	47	1186332	Hex Flange Screw, 5/16-18 x 1-1/4.....	4
16	1909720	Foam Sleeve.....	1	48	1917530	Adapter Plate - Engine	1
17	1983663	Hex Hd. Screw, 1/4-20 x 5	2	49	1917529	Adapter Plate - Transmission.....	1
18	1107381	Flat Washer, 1/4-20	2	50	1918365	Clutch Assy. (Incl. Refs. 55 and 56).....	1
19	1817146	Hex Locknut, 1/4-20	5	51	**	Hex Hd. Screw, M8	2
20	*	Engine.....	1	52	**	Flat Washer, M8 x M17	2
21	1917531	Clutch Drum and Hub	1	EDGER ATTACHMENT			
22	1918310	Tine Shield (Incl. Refs. 23, 24, 25 & 26).....	1	53	1903777	Edger Wheel.....	1
23	1918336	Decal - Logo	1	54	1903778	Bushing - Short	1
24	1917249	Decal - Warning, Rotating Tines	1	55	1983648	Bushing - Long	2
25	1917248	Decal - Warning, Hot Surfaces.....	1	56	1915054	Edger Tine.....	1
26	1917250	Decal - Caution, Operation Hazards	1	OPTIONAL ATTACHMENTS			
27	1186292	Hex Hd. Screw, #10-24 x 1/2.....	2	----	12575	Power Lawn Rake Attachment	1
28	1186387	Flange Locknut, #10-24	2	----	12574	Lawn Aerator Attachment	1
29	1100241	Lock Washer, 1/4-20	8				
30	1100807	Hex Cap Screw, 1/4-20 x 2	4				
31	1909540	Outer Tine - Right-Hand Side.....	1				

* Order parts from your local authorized engine dealer. Refer to engine nameplate for model/type number.

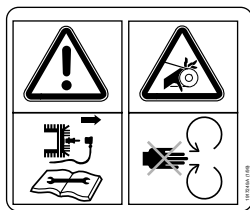
** Not available separately.

SAFETY AND OPERATING DECALS

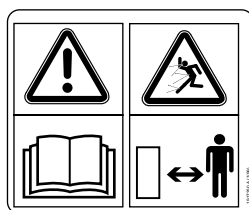
Decals are not shown at full size. See above Parts List for reordering information.



On right-side handlebar



On rear, right-side of tine shield



On top, left-side of tine shield



On rear, left-side of tine shield



On top of handlebar