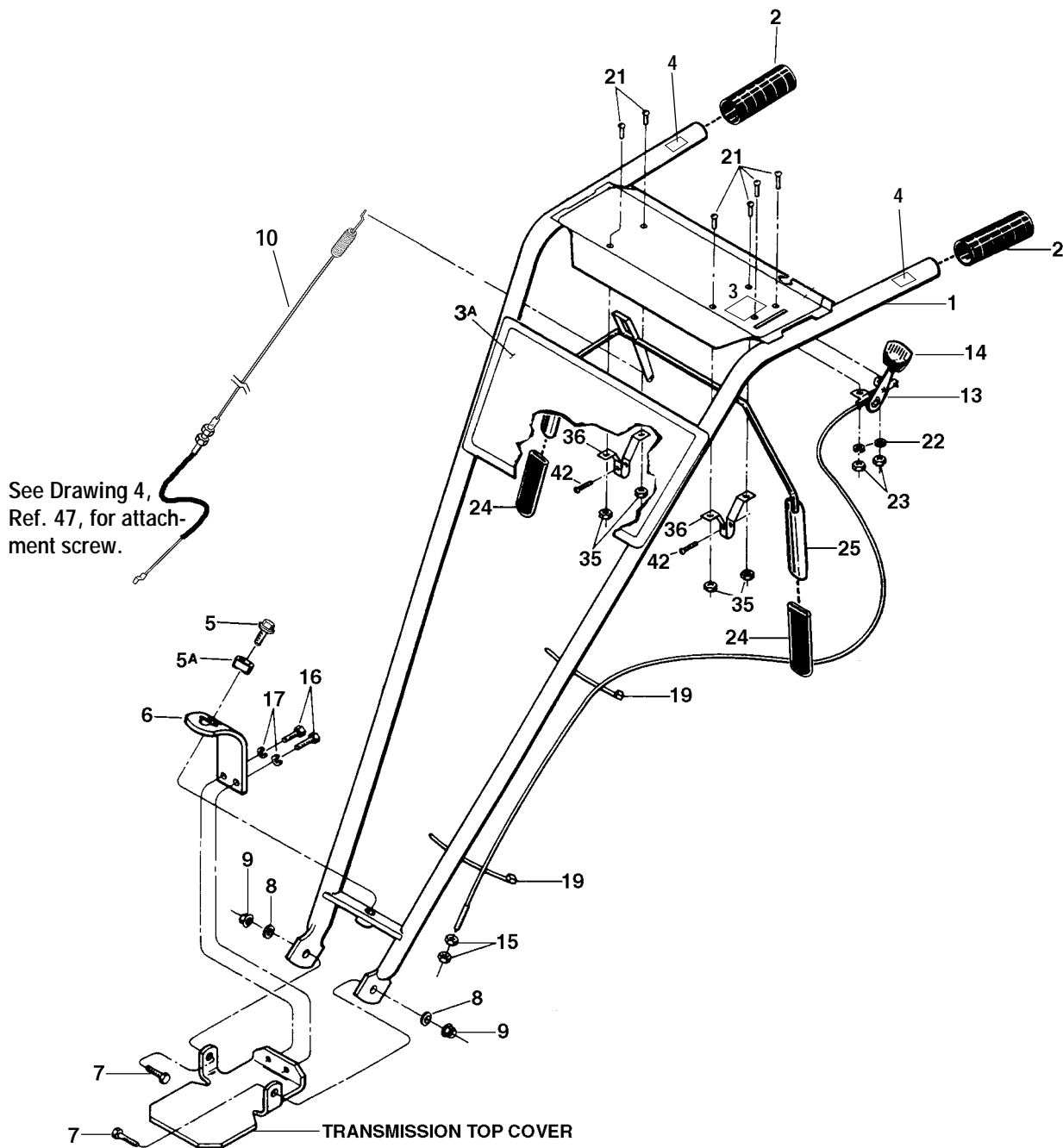


DRAWING NO. 1



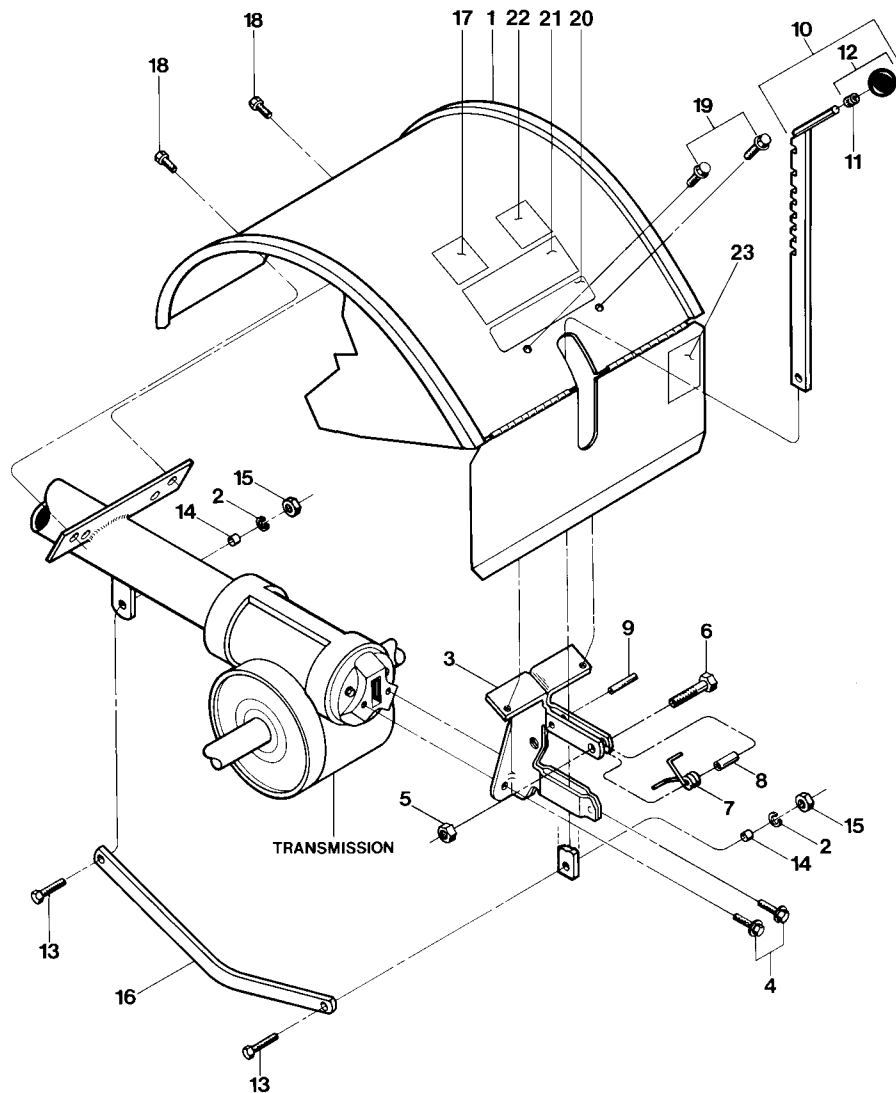
Model 12226

## PARTS LIST - DRAWING NO. 1

REF No.	PART No.	DESCRIPTION	QTY.	REF No.	PART No.	DESCRIPTION	QTY.
1	1918219	Handlebars--(Incl. Refs. 2, 3 and 3A)...	1	15	1186211	Hex Nut, 5/16-24 - Wheel gear	
2	9126	Grip .....	2			cable adjustment.....	2
3	1918218	Decal--Wheel Engage .....	1	16	1100068	Hex Hd. Screw, 3/8-16 x 3/4* .....	2
3A	1918334	Decal--Logo .....	1	17	1100243	Lockwasher, 3/8 .....	2
4	1916928	Decal--Bail Drive.....	2	19	1735531	Plastic Tie .....	2
5	1186347	Height Adjustment Flange Screw.....	1	21	1114748	Round Hd. Screw, #10-32 x 1/2 .....	6
5A	9955	Keyed Washer.....	1	22	1100240	Lockwasher, #10 .....	2
6	1900475001	Bracket--Handlebar height adjust .....	1	23	1186208	Hex Nut, #10-32 .....	2
7	1100046	Hex Hd. Screw, 3/8-16 x 1* .....	2	24	9390	Grip--Lever .....	2
8	9904	Plain Washer (flat), 3/8, S.A.E. ....	2	25	1918840	Lever--Forward Clutch Control (Incl.	
9	9837	Hex Locknut, 3/8-16 .....	2			two Grips, Ref. 24) .....	1
10	1918791	Cable, Forward Clutch Control .....	1	35	9853	Sems Nut.....	4
13	9442	Wheel Gear Control & Cable Assy.		36	20806	Bracket--Bail support .....	2
		(Incl. Refs. 14, 15, 19, 21,		42	1100805	Hex Flange Screw, self-tapping,	
		22 and 23) .....	1			1/4-20 x 1/2* .....	2
14	9057	Knob--Wheel gear control lever.....	1				

\* Specify GRADE 5 if ordering part locally.

DRAWING NO. 2

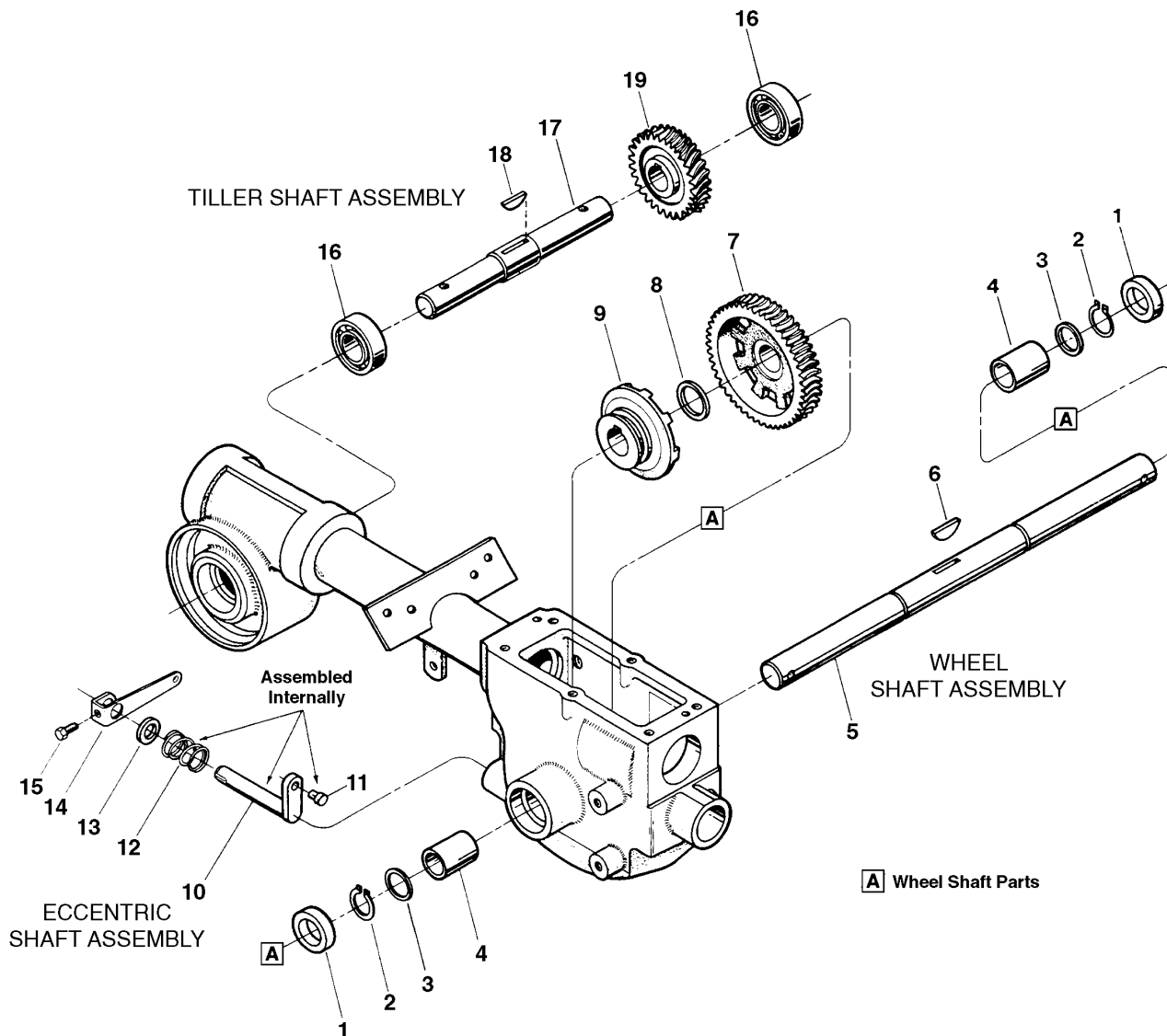


REF No.	PART No.	DESCRIPTION	QTY.
1	1918343	Tine Hood (Incl. hood flap and Refs. 17, 20, 21, 22 & 23)	1
2	1100243	Lockwasher, 3/8"	2
3	2527	Bracket-Hood & Depth Regulator (Incl. Ref. 9)	1
4	90038	Screw-flanged hex hd., 5/16-18 x 5/8"	2
5	9811	Hex Locknut, 1/4-20	1
6	1100069	Hex Hd. Screw, 1/4-20 x 1"	1
7	9384	Spring-Depth regulator plunger	1
8	9438	Spacer	1
9	9308	Roll Pin-1/4 x 1 (spiral)	1
10	1117A	Bar Assembly-Depth adjustment (Incl. Refs. 11 and 12)	1
11	9120	Ring-Retaining, tolerance ring	1

REF No.	PART No.	DESCRIPTION	QTY.
12	9119	Knob-Depth regulator (Incl. Ref. 11)	1
13	1100043	Hex Hd. Screw, 3/8-16 x 1-1/4"	2
14	1113-1	Bushing-Spacer	2
15	1186231	Hex Nut, 3/8-16	2
16	20775	Drag Bar	1
17	1916418	Decal-Thrown Objects	1
18	9553	Hex Hd. Screw, self-tapping, 5/16-18 x 1/2"	2
19	9552	Screw-flanged hex hd, self-tapping, 1/4-20 x 1/2"	2
20	1918337	Decal - Hood Logo	1
21	1916417	Decal - Read Owner's Manual	1
22	1916420	Decal - Maintenance Safety	1
23	1916423	Decal - Rotating Tines	1

\* Specify GRADE 5 if ordering part locally.

DRAWING NO. 3



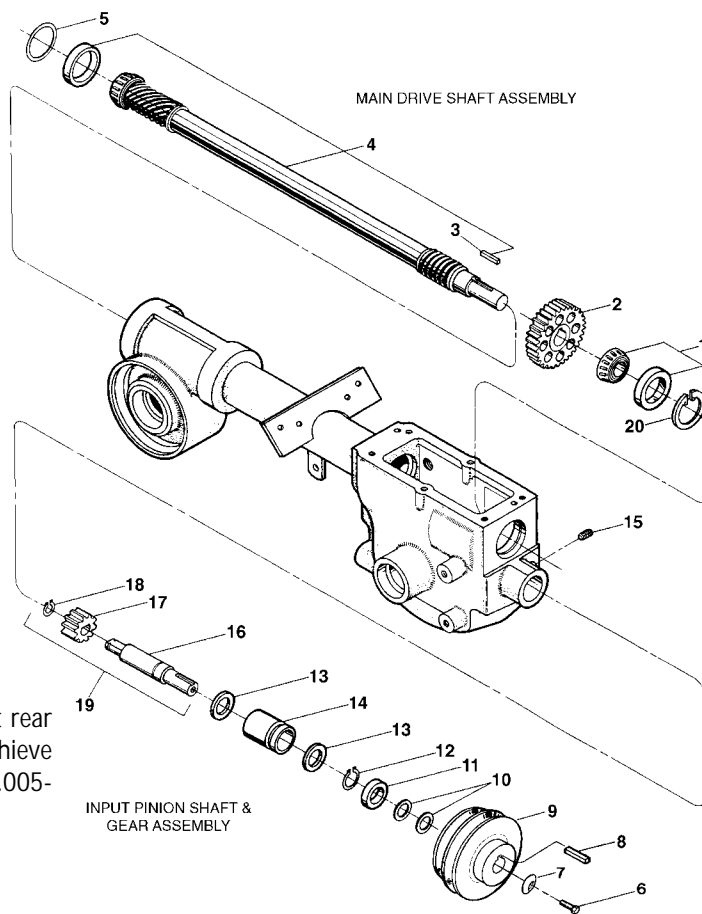
REF No.	PART No.	DESCRIPTION	QTY.
1	9621	Oil Seal.....	2
2	9511	Ring-Retaining, heavy-duty, ext.....	2
3	1166-1	Shim-1-1/64 I.D., .062 thick .....	A/R
---	1166-2	Shim-as above, but .030 thick .....	A/R
---	1166-3	Shim-as above, but .015 thick .....	A/R
---	1166-4	Shim-as above, but .010 thick .....	A/R
4	1086	Bushing .....	2
5	2494	Wheel Shaft (axle)-Incl. Ref. 6 .....	1
6	9373	Key-Hi-Pro, 1/4 x 1-5/16.....	1
7	20914	Gear-Wheel drive (worm gear) .....	1
8	9935	Shim-1.016 I.D. x 1.468 O.D. x .062 thick .....	1

REF No.	PART No.	DESCRIPTION	QTY.
9	20712	Clutch-Wheel drive, cast iron.....	1
10	20879	Eccentric Shaft-Wheel clutch.....	1
11	1442	Pin-Eccentric shaft.....	1
12	9055	Spring .....	1
13	9622	Oil Seal-Eccentric shaft.....	1
14	20757	Lever-Eccentric shaft .....	1
15	11000804	Hex Hd. Screw, 1/4-20 x 1/2* .....	1
16	97074	Ball Bearing .....	2
17	20896	Tiller Shaft-Incl. Ref. 18.....	1
18	1104	Key-Woodruff, 1/4 x 1-1/4 .....	1
19	20913	Worm Gear-bronze, tiller drive .....	1

\* Specify GRADE 5 if ordering part locally.

A/R - As Required

DRAWING NO. 5



NOTE 1—Shim between drive shaft rear bearing and rear bearing cap to achieve 5-to-10 thousandths of an inch (.005-.010) end play on drive shaft.

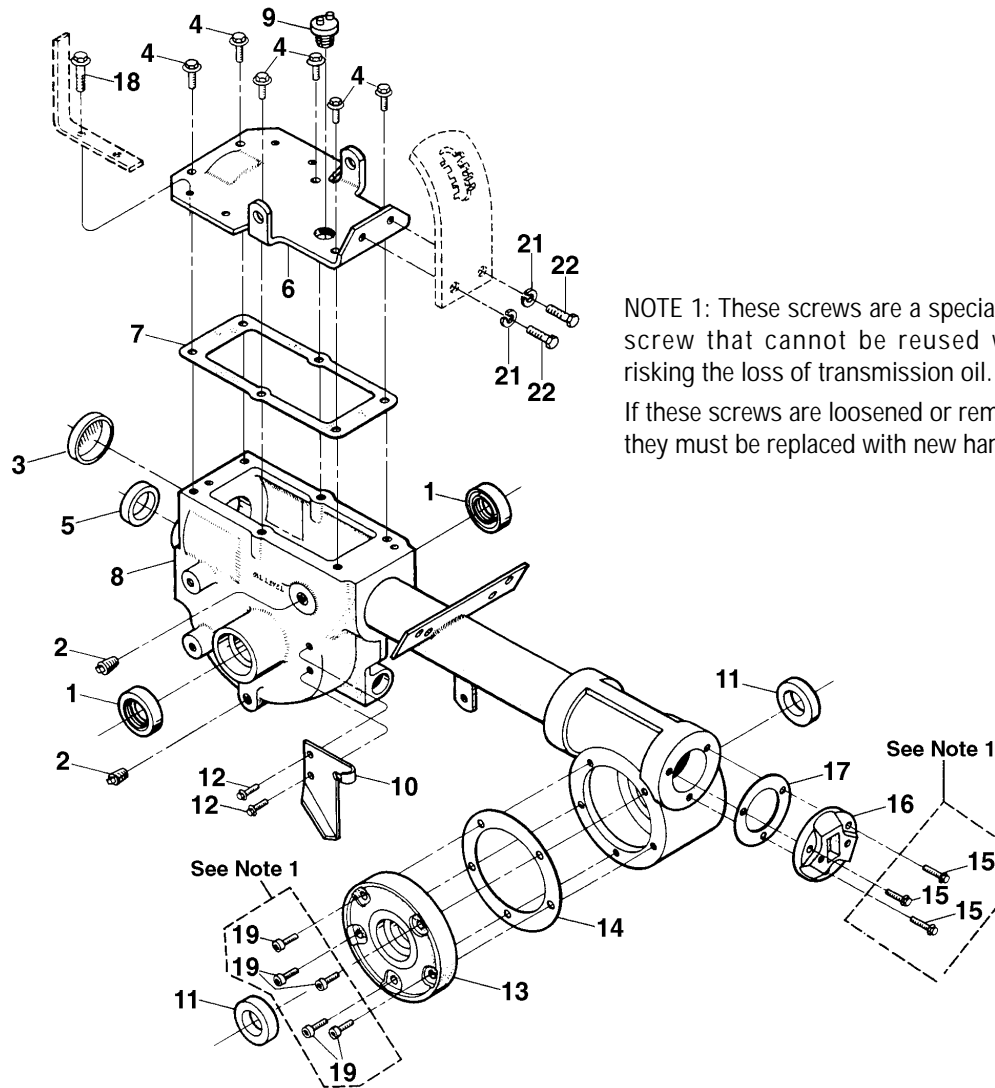
REF No.	PART No.	DESCRIPTION	QTY.
<b>MAIN DRIVE SHAFT ASSEMBLY</b>			
1	1714	Bearing—Tapered roller with race .....	1
2	20718	Gear—Spur, main drive shaft .....	1
3	9301	Key, 3/16 sq. x 1 .....	1
4	11603	Drive Shaft—with integral, single-lead worm at front and six-lead worm at rear (includes pressed-on #1714 rear roller bearing, race for bearing and #9301 key) .....	1
5	1224-1	Shim—Rear bearing cap, .010 thick (see Note 1) .....	A/R
5	1224-2	Shim—same as above, but .030 thick (see Note 1) .....	A/R
5	1224-3	Shim—same as above, but .005 thick (see Note 1) .....	A/R
...	1325C	Shim Set—includes the following shims: two 1224-1; two 1224-2; one #1224-3 .....	A/R

REF No.	PART No.	DESCRIPTION	QTY.
<b>INPUT PINION SHAFT &amp; GEAR ASSEMBLY</b>			
6	9572	Hex Hd. Screw, 5/16-24 x 1-1/8* .....	1
7	9944	Washer—Disc spring (concave surface faces pulley).....	1
8	1108841	Key, 3/16 sq. x 1-1/2.....	1
9	20880	Pulley—Transmission drive .....	1
10	1440	Support Washer .....	1
11	85030	Oil Seal—Input pinion shaft, front.....	1
12	9500	Ring—Retaining (snap ring), external.....	1
13	9953	Thrust Washer.....	2
14	9428	Bushing.....	1
15	9677	Set Screw, 5/16-18 x 3/8* .....	1
16	20791	Input Pinion—steel shaft .....	1
17	20792	Gear—Input pinion .....	1
18	9093	Retainer—Snap ring, external .....	1
19	20799	Pinion Assy—(Incl. one each of Ref. No.'s 16, 17 and 18 .....	A/R
20	9517	Retainer—Snap ring, internal.....	1

\* Specify GRADE 5 if ordering part locally.

A/R - As Required

DRAWING NO. 8



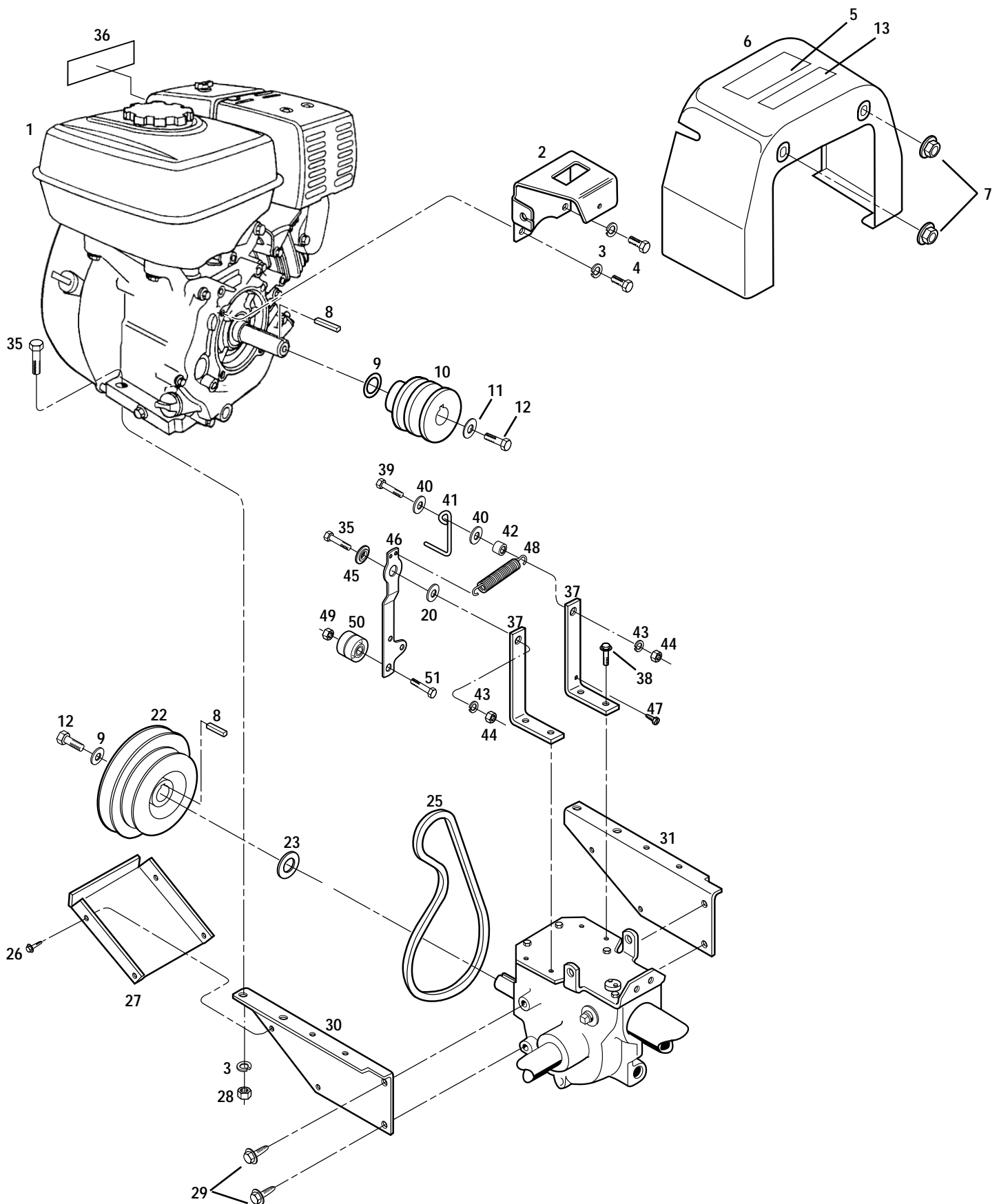
NOTE 1: These screws are a special sealing screw that cannot be reused without risking the loss of transmission oil. If these screws are loosened or removed, they must be replaced with new hardware.

REF No.	PART No.	DESCRIPTION	QTY.	REF No.	PART No.	DESCRIPTION	QTY.
1	9621	Oil Seal—double lip, wheel shaft.....	2	11	97073	Oil Seal—tiller shaft.....	2
2	9726	Pipe Plug, 1/4.....	2	12	90038	Screw—flanged hex hd., 5/16-18 x 5/8*.....	2
3	97076	Seal—Transmission bore.....	1	13	20873	Cover—tiller housing, left-side.....	1
4	1186329	Screw—flanged hex hd., 5/16-18 x 3/4*.....	6	14	1129-1	Gasket—tiller housing cover, .010.....	A/R
5	85030	Oil Seal—input pinion shaft.....	1	15	1915089	Screw Kit: includes three (3) 1/4-20 x 7/8 self-sealing screws.....	A/R
6	11513	Cover—Top of transmission (incl. four of Ref. No. 18 and two each of Ref. No.'s 21 and 22).....	1	16	1115	Cap—Rear bearing.....	1
7	20694	Gasket—Transmission top cover.....	1	17	1124-2	Gasket—Rear bearing cap, .010 thick.....	A/R
8	20893	Transmission case, tube and rear housing assembly.....	1	18	1186331	Screw—flanged hex hd., 5/16-18 x 1*.....	4
9	9467	Plug—gear oil fill hole.....	1	19	1915087	Screw Kit: includes five (5) 1/4-20 x 5/8 self-sealing screws.....	A/R
10	20889	Plate—wheel drive cable mounting.....	1	21	1100243	Lockwasher, 3/8.....	2
				22	1100068	Hex Hd. Screw, 3/8-16 x 3/4*.....	2

\* Specify GRADE 5 if ordering part locally.

A/R – As Required

DRAWING NO. 4



## PARTS LIST - DRAWING NO. 4

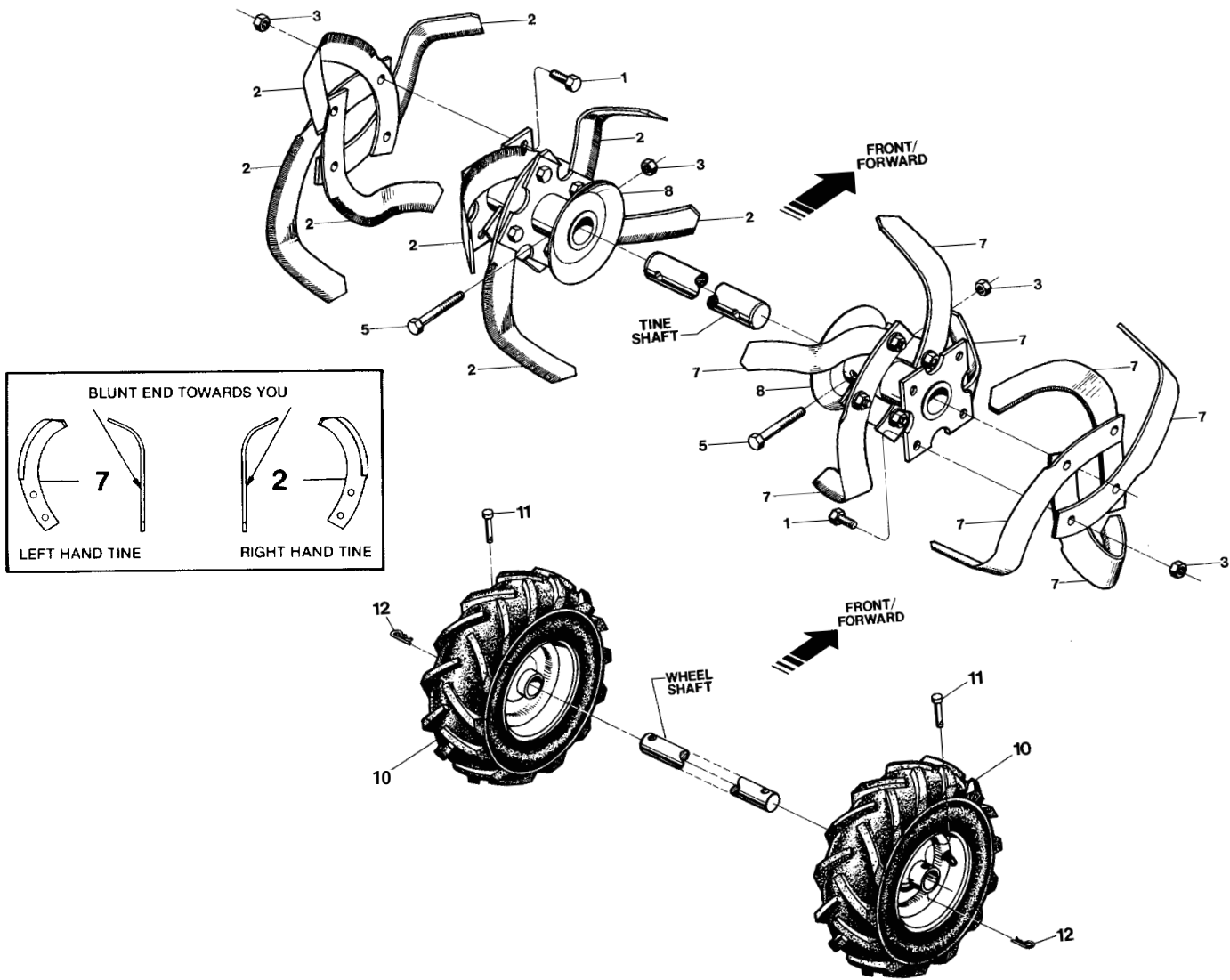
REF. No.	PART No.	DESCRIPTION	QTY.	REF. No.	PART No.	DESCRIPTION	QTY.
1	**	Engine – standard recoil start .....	1	28	1186230	Hex Nut, 5/16–18.....	4
2	1917326	Bracket, Clutch Cable .....	1	29	1186329	Hex Flange Screw, 5/16-18 x 3/4* .....	4
3	1100242	Lockwasher–5/16.....	6	30	1916797001	Engine Support Bracket, left side .....	1
4	1111696	Hex Hd. Screw, 5/16-24 x 1/2 .....	2	31	1916796001	Engine Support Bracket, right side.....	1
5	1904557	Decal, Hot Surfaces/Belt Warning .....	1	35	1100799	Hex Hd. Screw, 5/16-18 x 1-1/2.....	5
6	1918344	Cover (Incl. Refs. 5 & 13) .....	1	36	1917131	Decal, Stabilization.....	1
7	1186391	Flange Lock Nut, 5/16-18.....	2	37	1918774001	Mounting Bar .....	2
8	1108841	Key, 3/16 x 1-1/2 .....	2	38	1186331	Hex Flange Screw, 5/16-18 x 1 .....	4
9	1138-1	Shim .....	1	39	1111606	Hex Hd. Screw, 5/16-18 x 2* .....	1
10	1916520	Pulley, Engine Drive .....	1	40	1107382	Flat Washer, 5/16.....	1
11	9944	Belleville Washer .....	2	41	1720717	Belt Guide, Wire Formed, Fwd Belt.....	2
12	9572	Hex Hd. Screw, 5/16-24 x 1-1/8.....	2	42	55088	Pivot Bushing.....	2
13	1916421	Decal - Belt Pinch Point .....	1	43	1100242	Lockwasher, 5/16.....	2
19	1917746	Washer, Shoulder .....	1	44	1186230	Hex Nut, 5/16-18.....	2
20	9929	Washer, Flat, 1-1/8.....	1	45	1917746	Washer, Shoulder .....	1
22	1916522	Transmission Pulley.....	1	46	1918744	Idler Arm, Forward Tiller Direction.....	1
23	1440	Support Washer .....	1	47	1767754	Screw, self tapping, #10-24 .....	1
25	1909404	Forward Clutch Belt.....	1	48	1916727	Spring.....	1
26	1900396	Hex Hd. Screw, #10-32 x 1/2, self-tapping .....	4	49	1110107	Hex Locknut, 5/16-18 .....	1
27	1916189001	Guard, Belts/Pulleys.....	1	50	9090	Idler Pulley, Forward .....	1
				51	1100779	Screw, 5/16-18 x 1-3/4 .....	1

\* Specify GRADE 5 if ordering part locally.

\*\* See your local authorized engine service dealer for engine parts or service. Refer to engine nameplate for engine type and code information.



DRAWING NO. 6



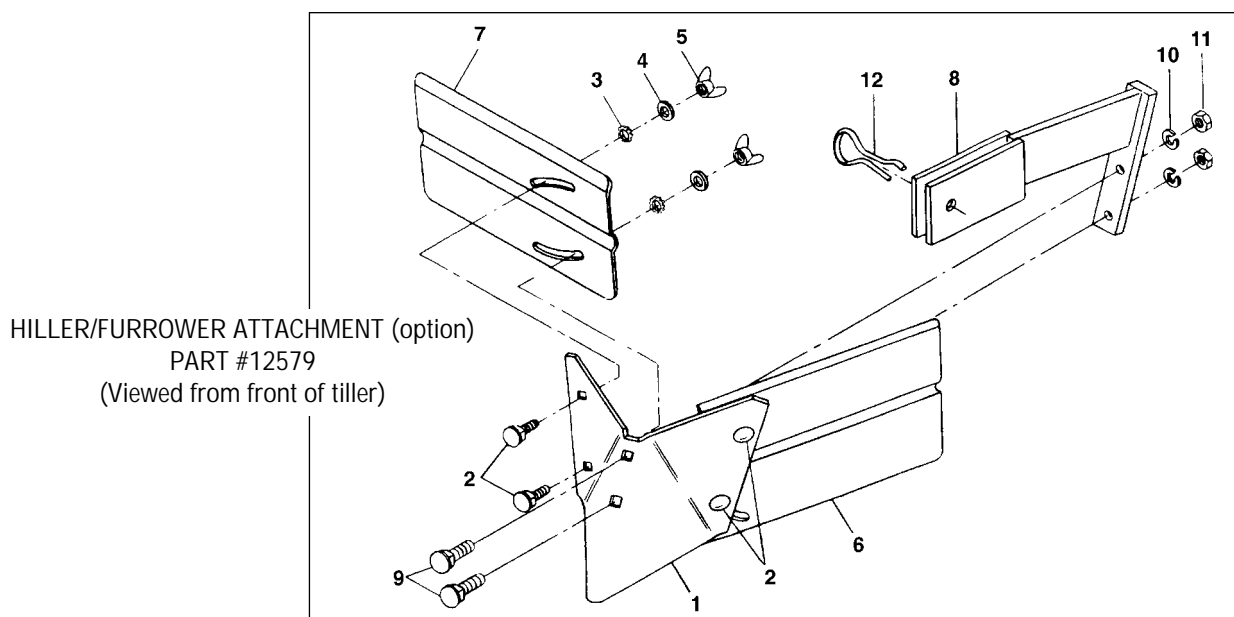
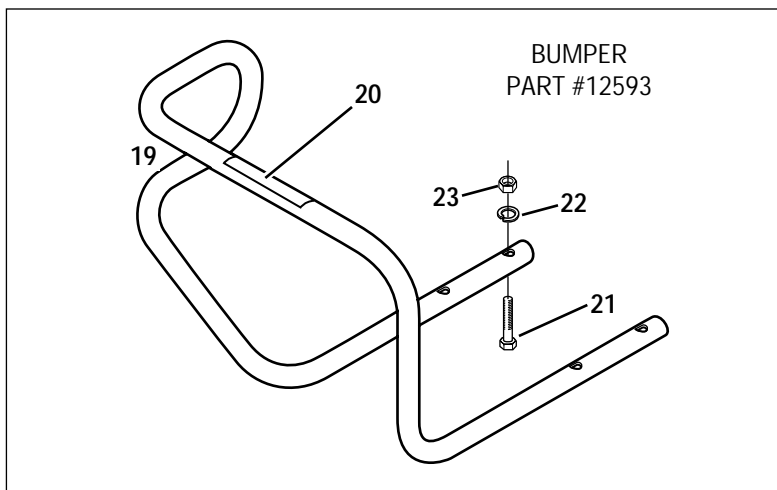
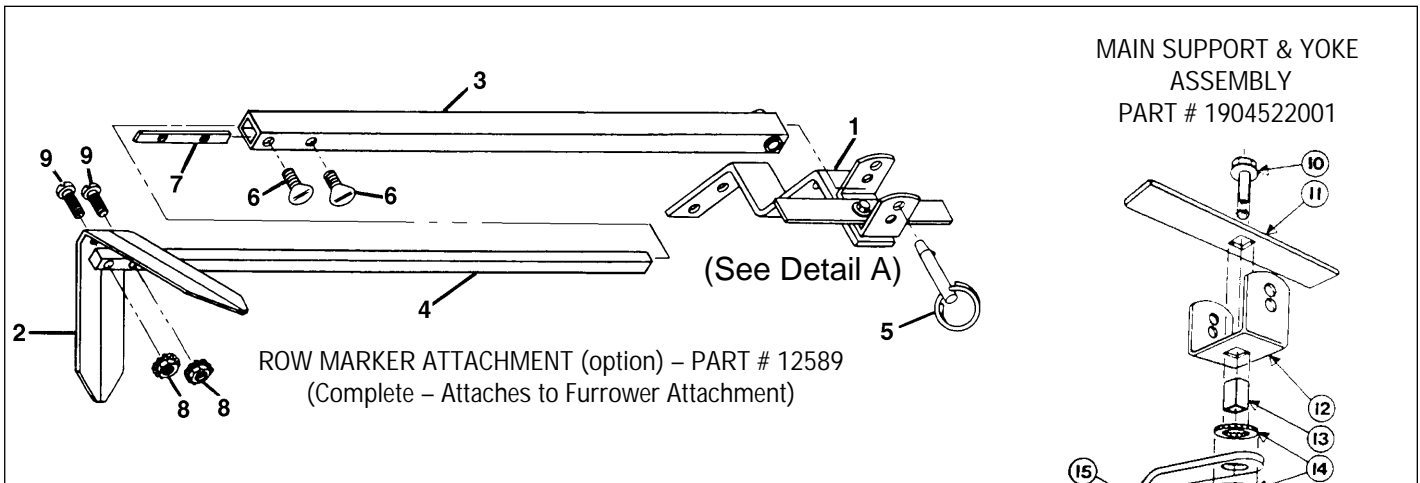
REF No.	PART No.	DESCRIPTION	QTY.
1	1100043	Hex Hd. Screw, 3/8-16 x 1-1/4*	16
2	1270-2A	Bolo Tine--single, right hand tine used on left side of tiller (Incl. two of each Ref. No.'s 1 and 3)	8
3	1733398	Hex Locknut, 3/8-16	18
5	1982612	Hex Hd. Screw, 3/8-16 x 2, GRADE 8	2
7	1270-1A	Bolo Tine--Single, left hand tine used on right side of tiller (Incl. two of each Ref. No.'s 1 and 3)	8

REF No.	PART No.	DESCRIPTION	QTY.
8	1902154001	Tine Holder--for bolo tines, left and right sides	2
--	1901118	Replacement set of 16 Bolo Tines-- includes eight each of right hand and left hand tines, and sixteen each of Ref. No.'s 1 and 3	1
10	1917487	Wheel & Tire Assembly	2
11	9380	Clevis Pin--.312 x 1-3/4 long	2
12	9338	Hitch Pin	2

\* Specify GRADE 5 if ordering part locally.

**IMPORTANT:** Left and right sides of tiller are determined by standing in the operator position and facing the direction of forward travel.

DRAWING NO. 7



PARTS LIST - DRAWING NO. 7

REF No.	PART No.	DESCRIPTION	QTY.	REF No.	PART No.	DESCRIPTION	QTY.
<b>Row Marker Attachment (option) – Part #12589</b>				<b>Row Marker Main Support &amp; Yoke Assembly – Part #1904522001</b>			
1	1904522001	Main Support & Yoke Assy–complete. Incl. Ref. No.'s 10,11,12,13,14,15,16,17 & 18 .....	1	10	1186349	Screw–hex flanged locking, 3/8-16 x 1-1/2* .....	1
2	1594	Marker Blade–blade only .....	1	11	1593	Stop Bar .....	1
3	1904524001	Marker Arm–main arm .....	1	12	1592	Yoke .....	1
4	1904523001	Marker Arm–extension arm with stop pin .....	1	13	1591	Tube Key–square .....	1
5	9347	Hitch Pin–(incl. in Hardware Pkg #1837) .....	1	14	1590	Washer–friction .....	2
6	9786	Thumbscrew–1/4-20 x 1/2, not avail. sep. (see hardware pkg. #1837) .....	2	15	1588	Main Support .....	1
7	1596	Nut Bar–(incl. in hardware pkg #1837) .....	1	16	1589	Washer–square hole .....	1
8	9828	Nut–hex, 10-24 w/attached start washers, not avail. sep. (see hardware pkg #1837) .....	2	17	9925	Washer–disc spring .....	1
9	1100135	Screw–round hd., 10-24 x 1, not avail. sep. (see hardware pkg #1837) .....	2	18	1186231	Nut–hex 3/8-16 .....	1
---	1837	Hardware Package–includes: one #9347 hitch pin (Ref. 5), two #9786 thumbscrews (Ref. 6), one #1596 nut bar (Ref. 7), two #9828 hex nuts (Ref. 8), two 1100135screws (Ref. 9) .....	1	<b>Bumper – Part #12593</b>			
---	12582	Row Marker Attachment & Pony Hiller/Furrower Attachment – complete: incl. #12579 Pony Hiller/Furrower and #12589 Row Marker .....	1	19	1918749001	Bumper (includes Ref. 20) .....	1
---	12589	Row Marker Attachment – complete: attaches to furrower attachment #12579, includes #1904522001 Main Support & Yoke Assy. ....	1	20	1448	Decal - Caution .....	1
				21	1111607	Screw–hex hd., 5/16-18 x 2-1/4*, not avail. separately (order #1918781 hardware kit) ..	4
				22	1100242	Lockwasher–5/16*, not avail. separately (order #1918781 hardware kit) .....	4
				23	1186230	Nut–hex, 5/16-18*, not avail. separately (order #1918781 hardware kit) .....	4
				---	1918781	Hardware Kit: Incl. four each of Refs. 21, 22 and 23 .....	1
				<b>Hiller/Furrower Attachment (option) – Part #12579</b>			
				1	1900771001	Furrower–blade only .....	1
				2	1186098	Carriage Screw–5/16-18 x 3/4 .....	4
				3	1177548	Star Washer–external tooth, 5/16 .....	4
				4	9902	Plain Washer–5/16 S.A.E. ....	4
				5	9824	Wing Nut–5/16-18 .....	4
				6	1900773001	Hiller Wing–left .....	1
				7	1900774001	Hiller Wing–right .....	1
				8	1900772001	Bracket–blade mounting .....	1
				9	9725	Carriage Screw–blade mounting, 3/8-16 x 1-1/2 .....	2
				10	1100243	Lockwasher–3/8, plated .....	2
				11	1186231	Nut–hex, 3/8-16, plated .....	2
				12	9318	Pin–clinch .....	1
				--	12579	Hiller/Furrower–complete attachment (owner must screw blade to mounting bracket, and wings to blade). Instructions included .....	1

Note: Common hardware listed above as “not available separately” can be found at most hardware stores.

\* Specify GRADE 5 if ordering part locally.