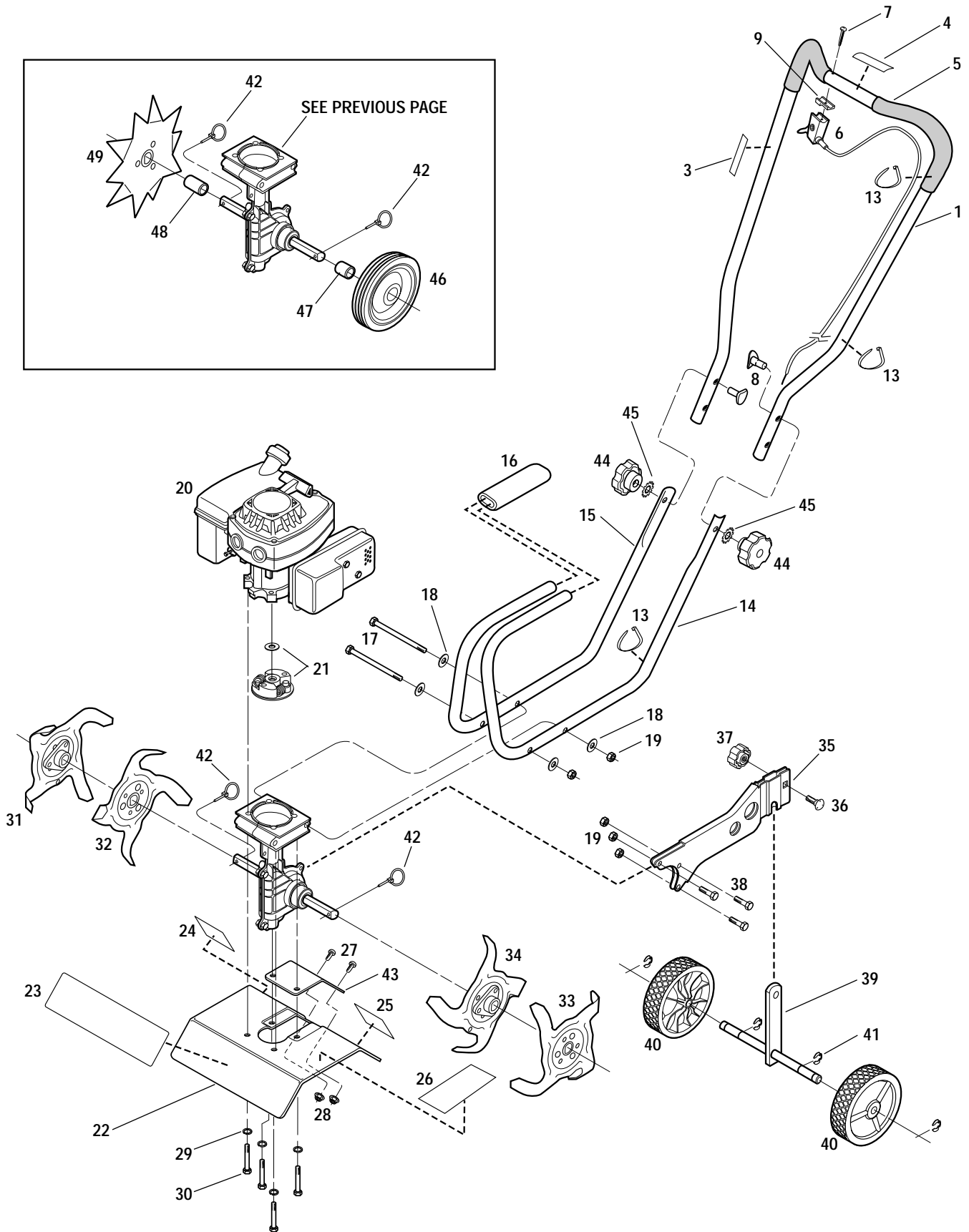


TRANSMISSION ASSEMBLY

Ref #	Part #	Description	Qty.
1	1915039	Transmission Case - left-side. (Incl. pressed-on bushing)	1
2	1915040	Transmission Case - right-side. (Incl. pressed-on bushing)	1
3	1983632	Oil Seal	2
4	1918307	Worm Input Shaft Assembly	1
5	1983731	Input Bearing	2
6	1983636	Thrust Bearing	1
7	1983637	Ball Bearing	1
8	1904416	Shaft Assembly. (Incl. pressed-on worm gear and two ring lock pins)	1
9	1909923	Input Oil Seal	1
10	1185741	Plug, 1/8	3
11	1111600	Hex Screw, 1/4-20 x 7/8 (five locations, identified as "A" on transmission case)	5

Ref #	Part #	Description	Qty.
12	1100069	Hex Screw, 1/4-20 x 1 (three locations, identified as "B" on transmission case)	3
13	1817146	Locknut, Nyloc, 1/4-20	8
14	1983635	Thrust Washer, Output (.050")	A/R
15	1983640	Thrust Washer, Output (.040")	A/R
16	1983641	Thrust Washer, Input (.020")	A/R
17	1983642	Thrust Washer, Input (.035")	A/R
18	1983638	Thrust Washer	2
19	1107381	Flat Washer, 1/4	2
20	1983663	Hex Hd. Screw, 1/4-20 x 5	2
21	1909486	Clutch Drum and Hub	1
22	1747166	Set Screw, 1/4-28 x 3/8	4
23	1915055	Dust Cover	2
24	1983713	Felt Washer	2

A/R – As Required



Ref #	Part #	Description	Qty.
1	1918303	Handlebar Assy. (Incl. Refs. 3, 4 & 5)	1
3	1909939	Decal - Starting Stabilization	1
4	1918221	Decal - Throttle Lever Operation.....	1
5	1917451	Handlebar Grip, PVC.....	2
6	1918123	Throttle Lever and Cable.....	1
7	1750608	Pan Hd. Screw, #10-16 x 1-1/2	1
8	1731025	Saddle Hd. Screw, 5/16-18 x 2.....	2
9	1909775	Spacer, Throttle Lever	1
13	1763682	Plastic Wire Tie.....	3
14	1918120001	Lower Handlebar - Left-Side.....	1
15	1918121001	Lower Handlebar - Right-Side	1
16	1909720	Foam Sleeve	1
17	1983663	Hex Hd. Screw, 1/4-20 x 5.....	2
18	1107381	Flat Washer, 1/4-20	2
19	1817146	Hex Locknut, 1/4-20.....	5
20	*	Engine	1
21	1909487	Clutch Rotor and Washer	1
22	1918309	Tine Shield (Incl. Refs. 23, 24, 25 & 26)	1
23	1918061	Decal - Logo	1
24	1904553	Decal - Warning, Rotating Tines.....	1
25	1904549	Decal - Warning, Hot Surfaces	1
26	1904552	Decal - Caution, Operation Hazards.....	1
27	1186292	Hex Hd. Screw, #10-24 x 1/2.....	2
28	1186387	Flange Locknut, #10-24.....	2
29	1100241	Lock Washer, 1/4-20	4
30	1100807	Hex Hd. Cap Screw, 1/4-20 x 2.....	4

Ref #	Part #	Description	Qty.
31	1909540	Outer Tine - Right-Hand Side	1
32	1909539	Inner Tine - Right-Hand Side.....	1
33	1909712	Outer Tine - Left-Hand Side.....	1
34	1909711	Inner Tine - Left-Hand Side	1
35	1909680001	Wheel Bracket	1
36	90077	Carriage Bolt.....	1
37	1909835	Knob.....	1
38	1100069	Hex Hd. Screw, 1/4-20 x 1.....	3
39	1909517001	Axle	1
40	1917754	Wheel	2
41	1729775	E-Ring	4
42	1904321	Ring Lock Pin.....	2
43	1981022010	Tine Hood Cover	1
44	1763767	Knob.....	2
45	1177038	Lock Washer, 5/16.....	2

EDGER ATTACHMENT

46	1903777	Edger Wheel	1
47	1903778	Bushing - Short	1
48	1983648	Bushing - Long	2
49	1915054	Edger Tine	1

OPTIONAL ATTACHMENTS

----	12575	Power Lawn Rake Attachment.....	1
----	12574	Lawn Aerator Attachment	1

* Order parts from your local authorized engine dealer. Refer to engine nameplate for model/type number.