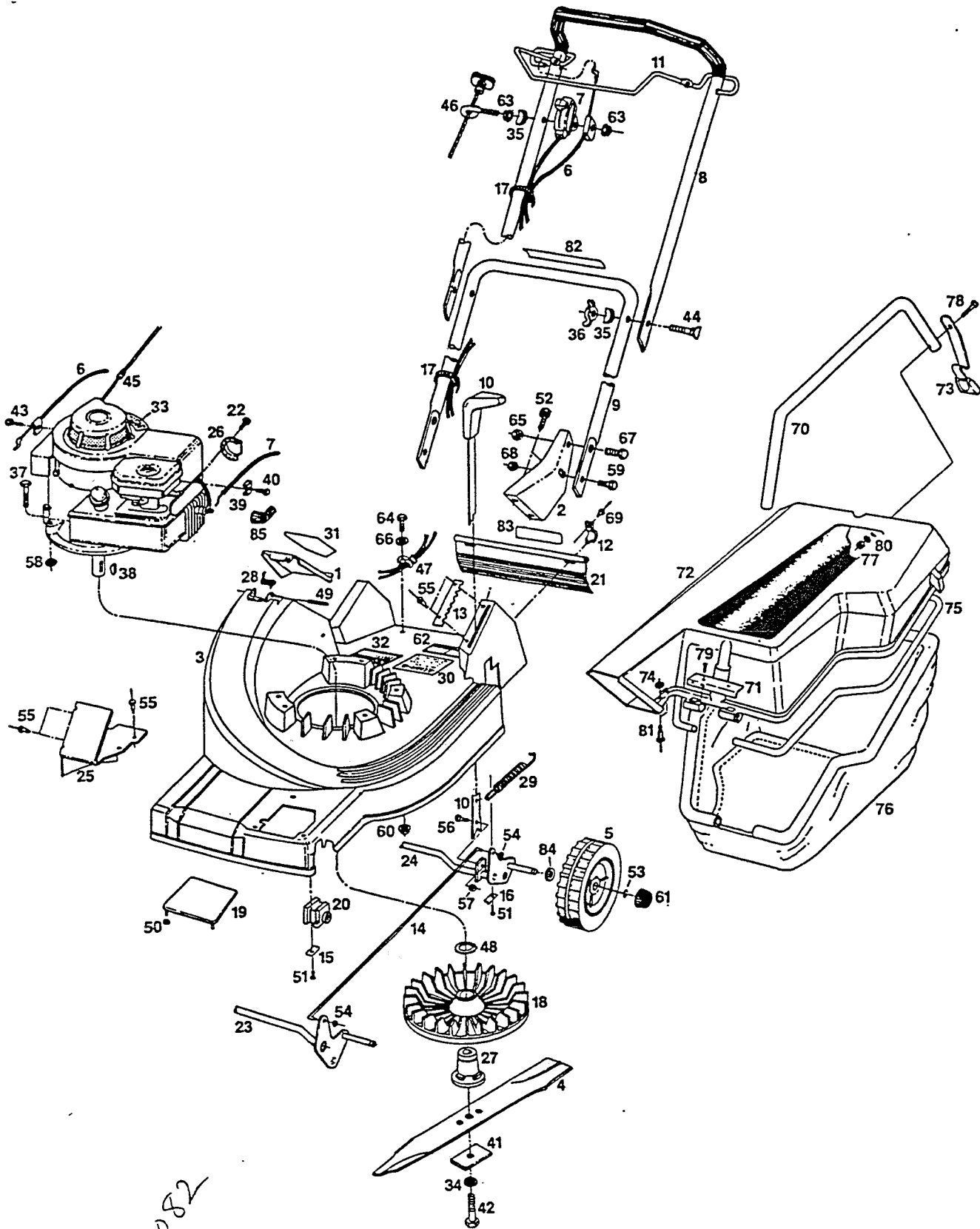


Model 121E
18" Rear Bagging Rotary Mower



227082

MODEL 121E

PARTS LIST

INDEX NO.	PART NO.	DESCRIPTION	INDEX NO.	PART NO.	DESCRIPTION
1	029579	Door - Rear *	43	151613	Screw #10-32 x 3/8 SEMS
2	029587	Handle Mounting Bracket	44	151928	Curved Head Bolt 5/16-18x1 1/4
3	029603	Deck - 18"	45	152074	Rope Stop
4	030452	Blade - 18"	46	152629	Eyebolt Rope Guide
5	041186	Wheel - 8 x 1.75	47	447771	Strain Relief - Cable
6	050872	Cable - Engine/Blade Control*	48	153957	Snap Ring - Blade/Impeller Hub
7	051284	Control - Throttle, with Cable	49	153965	Pin - Door 3/16-2"
8	072447	Handle - Upper	50	153973	Retainer - Push On - Deck Cover
9	071829	Handle - Lower	51	153981	Screw - Thread Forming-M5x3/8
10	090795	Lever - Height Adjuster	52	153999	Bolt Hex Head - Thread Forming
11	109298	Bail - Engine/Blade Control*	53	154005	E-Ring Axle
12	106914	Clip - Trailing Shield	54	154013	Retainer - Push On-Connecting Rod
13	107664	Plate - Index - Height Adjuster	55	154021	Rivet Pop 5/32
14	107698	Rod Connecting - Height Adjuster	56	154054	Screw - Metric
15	107706	Plate - Front Axle Support	57	154062	Nut - Metric
16	107714	Plate - Rear Axle Support	58	310151	Nut Hex 5/16-18 Nylok
17	110379	Cable Tie	59	450437	Bolt - Hex Head 5/16-18 x 3/4
18	111658	Impeller	60	451419	Nut - Flange 1/4-20 Toplock
19	111666	Cover - Deck Opening	61	672345	Hub Cap - Wheel
20	111682	Bushing - Front Axle	62	714170	Decal - Model Number
21	111740	Trailing Shield	63	715037	Nut - Hex 1/4-20 Keps
22	120048	Screw - Muffler Deflector	64	715045	Bolt - Hex 1/4-20 x 3/4
23	127423	Front Axle Assembly	65	715086	Nut - Hex 3/8-16 Toplock
24	127431	Rear Axle Assembly	66	715300	Washer - Flat 1/4
25	127464	Baffle Assembly Rear	67	715201	Bolt - Hex 3/8-16 x 3/4
26	133488	Deflector - Muffler	68	715490	Nut - Hex 5/16-18 Toplock
27	133678	Blade/Impeller Hub	69	764225	Rivet Pop 3/16
28	133686	Spring - Rear Door	70	071803	Handle - Catcher
29	133702	Spring - Height Adjuster	71	029884	Bracket
30	142661	Decal - Safety Rules	72	111674	Catcher Housing - Upper Plastic
31	144063	Decal - Danger*	73	133694	Latch - Catcher
32	144162	Decal - Caution*	74	154039	Washer - Flat 1/8
33	001461	Decal - Blade Warning*	75	160713	Frame - Catcher
34	150185	Washer - 3/8 Split Lock	76	160721	Catcher - Bottom - Cloth
35	150201	Washer - Curved 5/16	77	452318	Nut - Hex #10-24 Nylok
36	150235	Wingnut - 5/16-18	78	459370	Screw - #10-24 x 1 1/2 Round Head
37	150250	Bolt Hex - 5/16-18 x 1 1/2	79	459685	Screw - #10-5/8 Self Tapping
38	150276	Woodruff Key - #6	80	715136	Washer - Flat #10
39	150318	Clamp - Cable	81	816017	Rivet Pop 1/8
40	150623	Screw - #10x5/8 Self Tapping	82	144899	Decal - Starting Instructions
41	106005	Washer - Blade	83	146589	Decal - Trailing Shield
42	150987	Bolt Hex 3/8-24x2 1/4 - Grade 5	84	151241	Washer - 1/2 SAE
			85	110833	Cover - Spark Plug

NOTE: PARTS ARE RIGHT OR LEFT HAND AS VIEWED FROM THE OPERATOR POSITION.
APPROXIMATE CUTTING HEIGHTS 1 1/4" TO 2 1/2"