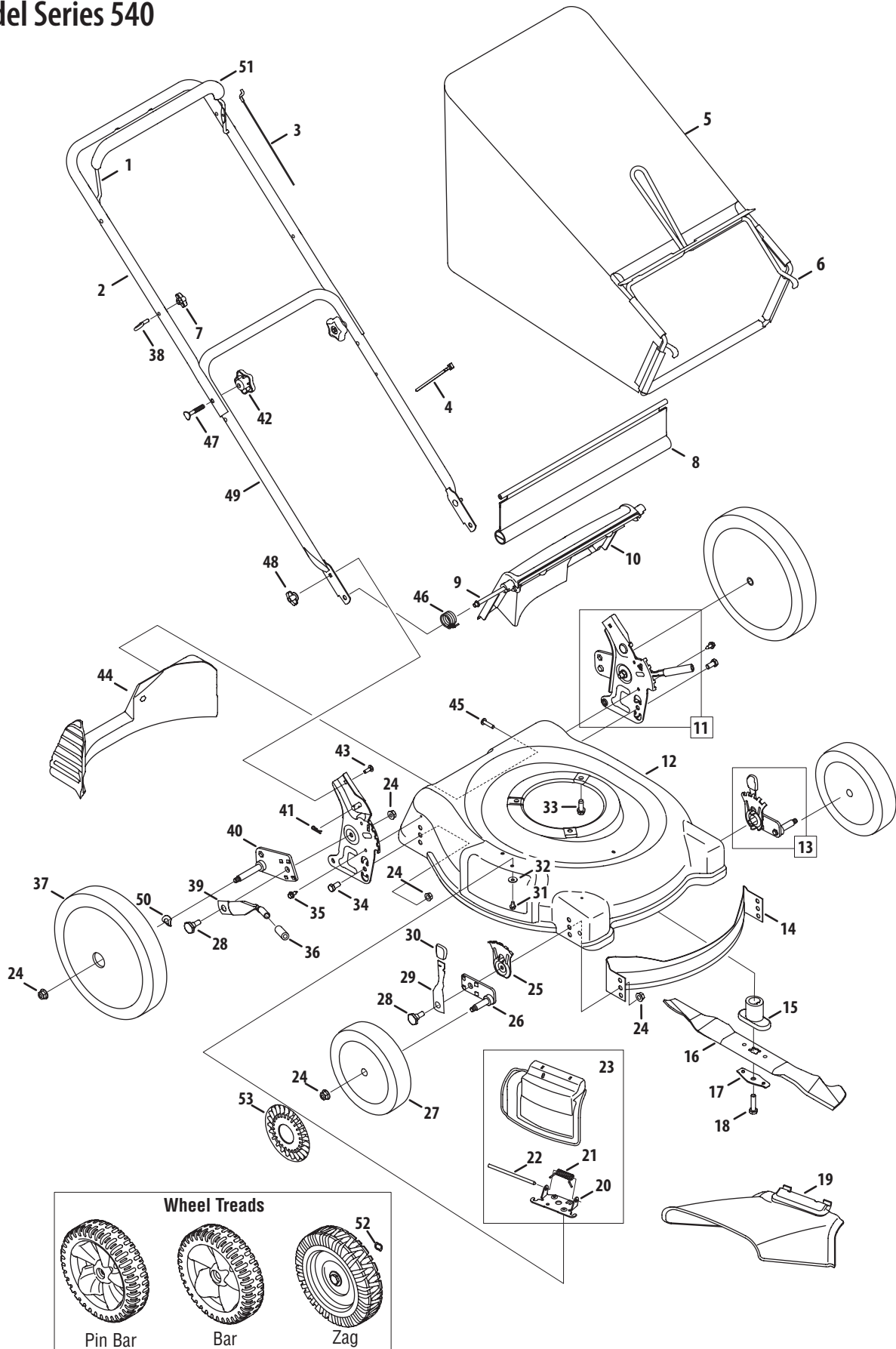


# Model Series 540



HONDA ENGINE GCV160LAS3A

Ref No.	Part Number	Description	Ref No.	Part Number	Description
1.	747-1161A-0637	Blade Control		734-1988	Front Wheel, 7 x 1.8, Bar
2.	749-1092A-0637	Upper Handle		734-2005A	Front Wheel, 8 x 2.125, Zag
3.	746-0957	Control Cable, 37.25"		734-2004A	Front Wheel, 8 x 2.125, Zag, Yellow
	746-1130	Control Cable, 40"		734-04087	Front Wheel, 8 x 1.8, Pin Bar
	746-04104	Control Cable, 40", Kawasaki	28.	738-04266	Shoulder Scr., .5D x .385
4.	926-0240	Cable Tie	29.	94832	Front Spring Lever
5.	964-04027	Grass Bag Assembly	30.	720-0426	Height Adjust Knob
	964-04007A	Grass Bag Assembly w/o Logo	31.	710-0599	TT Screw, 1/4-20 x .500
6.	747-04080A	Grass Bag Frame	32.	736-0270	Bell Washer
7.	720-0279	Handle Knob	33.	710-0654A	TT Screw, 3/8-16 x 1.0
8.	731-05642A	Trail Shield	34.	710-0216	Hex Screw, 3/8-16 x .75
9.	747-04588	Pivot Rod	35.	710-1652	TT Screw, 1/4-20 x .625
10.	731-05865	Rear Discharge Door	36.	720-0312	Foam Grip
11.	987-02280A	Rear Handle Bracket Assy. - LH	37.	734-04082	Rear Wheel, 12 x 1.8, Bar
	987-02279A	Rear Handle Bracket Assy. - RH		734-04093	Rear Wheel, 12 x 2.125, Zag
12.	787-01279-0638	Deck 21-inch, Red		734-04046	Rear Wheel, 12 x 2.125, Zag, Yellow
	787-01279-0691	Deck 21-inch, Black		734-04089	Rear Wheel, 12 x 1.8, Pin Bar
13.	987-02075B	Front Hgt. Adj. Assy., 8" Whl. - LH	38.	710-1205	Eye Bolt
	987-02074B	Front Hgt. Adj. Assy., 8" Whl. - RH	39.	732-0866	Rear Hi-Wheel Spring Lever
	987-02099B	Front Hgt. Adj. Assy., 7" Whl. - LH	40.	987-02335	Rear Pivot Arm Assy - RH
	987-02100B	Front Hgt. Adj. Assy., 7" Whl. - RH		987-02336	Rear Pivot Arm Assy - LH
14.	782-5002B	Front Baffle	41.	914-0104	Hairpin Clip
15.	748-0377C	Blade Adapter w/Star	42.	720-04072	Star Knob
	748-04082	Blade Adapter - 25mm	43.	710-0703	Carriage Bolt, 1/4-20 x .75
16.	942-0741	21-inch Mulching Blade	44.	731-04150C	Rear Baffle
17.	736-0524B	Bell Blade Support	45.	710-1241	Screw HL, 1/4-15 x 1.00
18.	710-1257	Hex Screw, 3/8-24 x 2.5	46.	732-04090A	Torsion Spring - RH
19.	731-04177	Side Discharge Chute	47.	710-1174	Carriage Bolt, 5/16-18 x 2
20.	17032A	Deflector Chute Adaptor	48.	912-0397	Wing Nut
21.	732-1014	Torsion Spring	49.	749-0928A-0637	Lower Handle
22.	747-0710	Hinge Pin	50.	736-0182†	Spring Washer
23.	987-02055	Mulch Plug Assembly	51.	731-2626†	Deluxe Bail Cover
24.	712-04065	Flange Lock Nut 3/8-16		731-04204†	Deluxe Bail Cover - Red
25.	787-01290A	Height Adjustment Plate		731-04859†	Deluxe Bail Cover - Gray
26.	987-02337	Pivot Arm Assy LH (7" wheel)		731-05564†	Deluxe Bail Cover - Yellow
	987-02338	Pivot Arm Assy RH (7" wheel)	52.	936-0504†	Wave Washer, .510 x .750 x .017
	987-02337	Pivot Arm Assy RH (8" wheel)	53.	731-0981B†	Hub Cap
	987-02338	Pivot Arm Assy LH (8" wheel)		931-1426A†	Hub Cap - Yellow
27.	734-1987	Front Wheel, 8 x 1.8, Bar			

† If Equipped

NOTE: Mower features/components vary by model. NOT all parts listed above and pictured on the previous page are standard equipment.