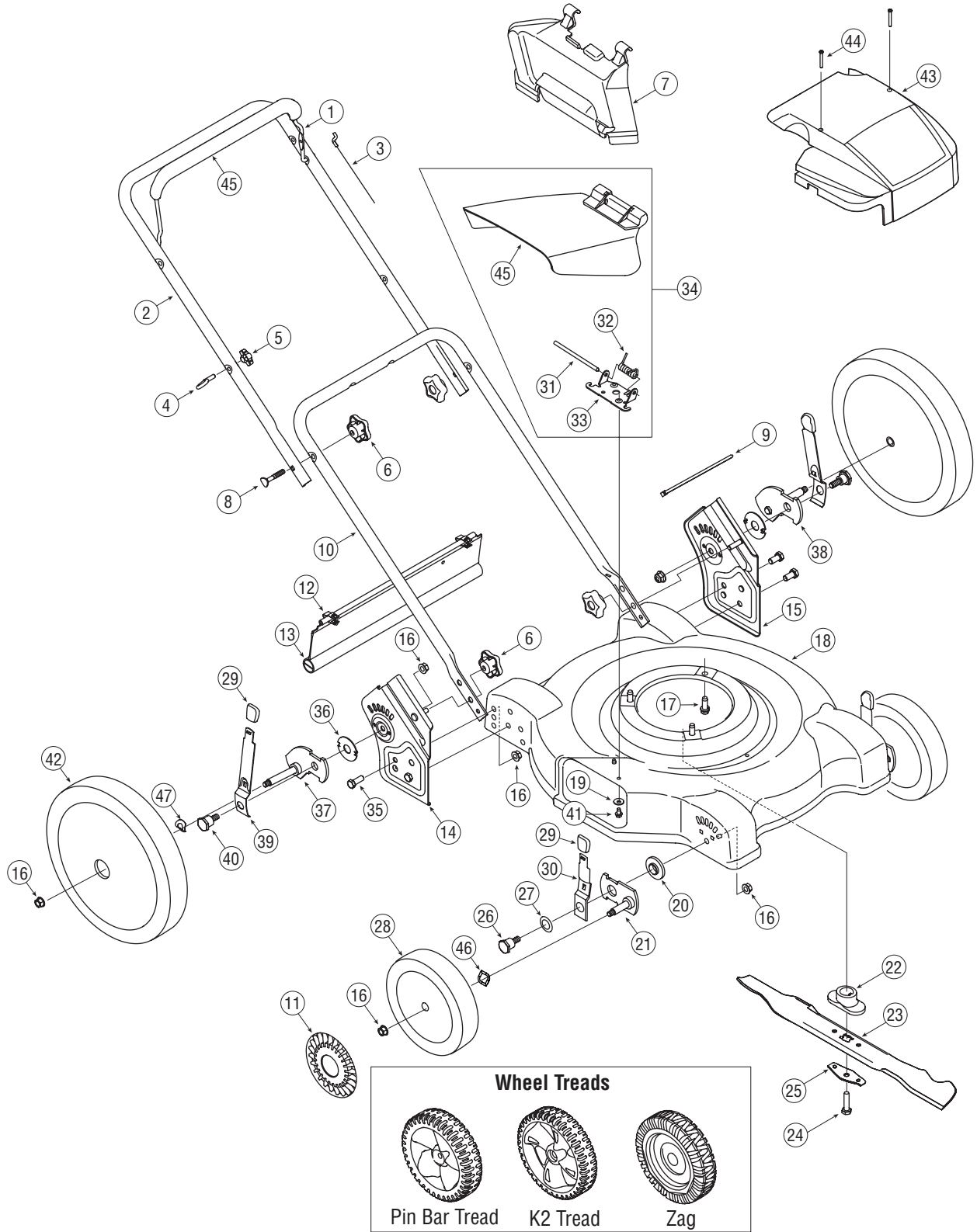


Model Series 500



Ref.	Part No.	Description
1.	747-1161A	Blade Control
2.	749-1092A	Upper Handle
3.	746-0957	Blade Control Cable - 37.25"
	746-1130	Blade Control Cable - 40"
	746-0946	Blade Control Cable - 48.25"
4.	710-1205	Eye Bolt
5.	720-0279	Wing Nut
6.	720-04072	Star Knob
7.	631-04045†	Mulching Baffle
8.	710-1174	Carriage Bolt 5/16-18 x 2.0
9.	725-0157	Cable Tie
10.	749-04037	Lower Handle
11.	731-0981A†	Hub Cap
12.	17098	Hinge Clip
13.	731-2537	Trail Shield
14.	682-3062A	Handle Bracket Assembly - RH
15.	682-3063A	Handle Bracket Assembly - LH
16.	712-04065	Lock Nut 3/8 -16
17.	710-0654A	Hex Washer Screw 3/8-16 x 1.0
18.	687-02048	22" Deck Assembly
	787-01097	22" Deck Assembly - No Sprig
19.	736-0270	Bell Washer.265 x.75
20.	741-0751	Height Adjuster Bearing
21.	687-02094	Pivot Arm Assembly
22.	748-0376C	Blade Adapter, #6 x 1.19, w/Star
	748-04096	Blade Adapter, 25mm x 1.19
23.	742-0742A†	22" Mulching Blade
	742-0642A	22" Standard Blade

Ref.	Part No.	Description
24.	710-1044	Hex Cap Screw 3/8-24 x 1.5
25.	736-0524B	Blade Bell Support
26.	738-1172	Shoulder Screw 3/8 - 16 x.302
27.	736-0741	Bell Washer.760 ID x 1.25 OD
28.	734-04213	Front Wheel, 7 x 1.8, K2 Bar
	734-1988	Front Wheel, 7 x 1.8, Pin Bar
	734-04176	Front Wheel, 7 x 2.125, Zag
29.	720-0426	Height Adjuster Knob
30.	732-1026	Front Spring Lever
31.	747-0710	Hinge Pin
32.	732-1014	Torsion Spring
33.	17032A	Deflector Chute Adapter
34.	731-1034B	Side Discharge Chute Assembly
35.	710-0216	Hex Cap Screw 3/8-16 x .75
36.	741-0717	Thrust Brg., .688 ID x 1.94 OD
37.	687-02080	Rear Pivot Arm Assembly - RH
38.	687-02079	Rear Pivot Arm Assembly - LH
39.	732-0984B	Rear Spring Lever
40.	738-1127	Shoulder Screw 3/8 - 16 x.442
41.	710-0599	Screw 1/4-20 x.50
42.	734-04217	Rear Wheel, 12 x 1.8, K2 Bar
	734-04082	Rear Wheel, 12 x 1.8, Pin Bar
	734-04093	Rear Wheel, 12 x 2.125, Zag
43.	751B698264†	Engine Shroud
44.	BS-691138†	Screw, #8-18 x 1.25
45.	731-04859†	Bail Cover
46.	736-0504†	Wave Washer
47.	736-0182†	Spring Washer

† If equipped