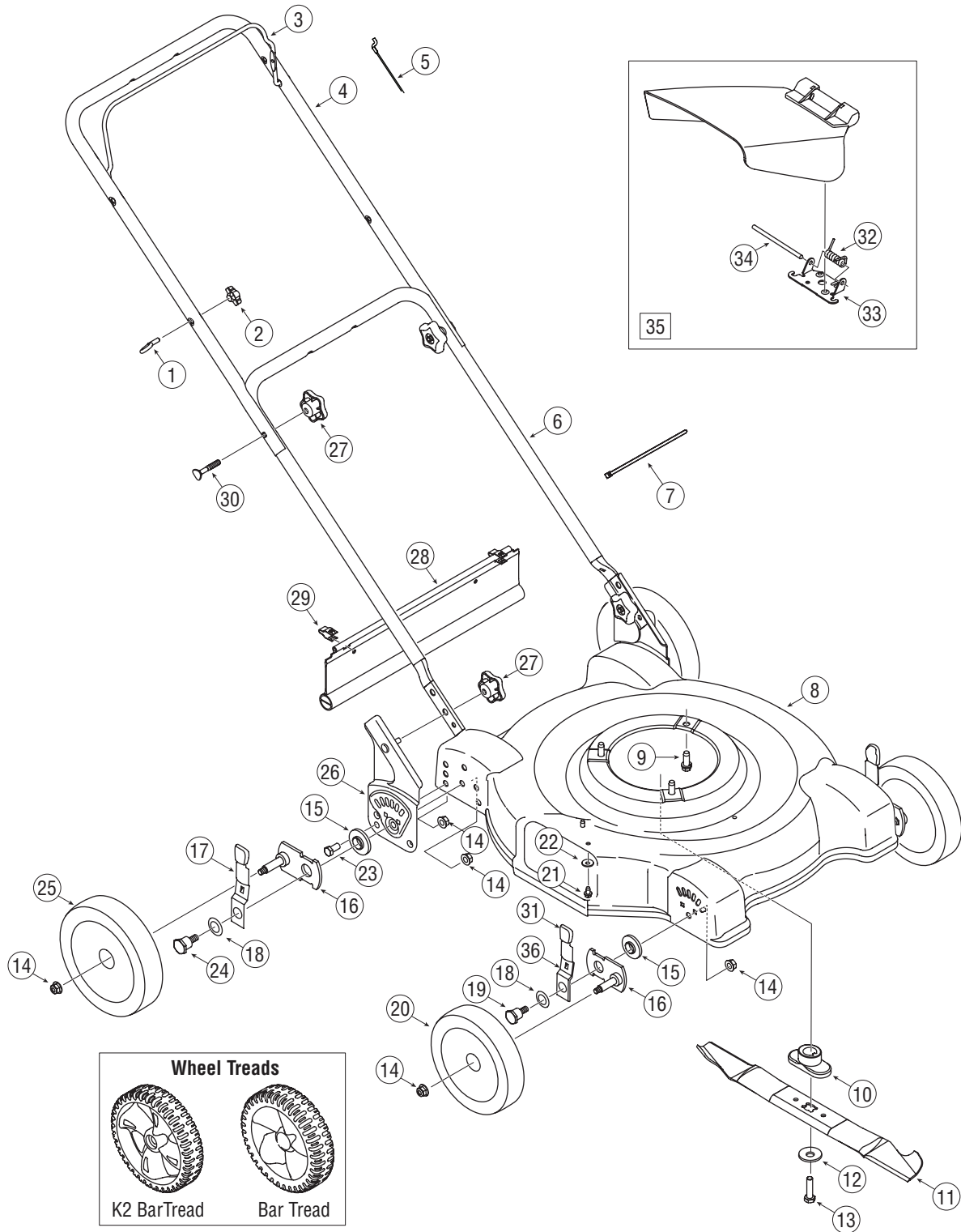


# Model Series 030



| Ref. No. | Part No.   | Description                               |
|----------|------------|---|
| 1        | 710-1205   | Eye Bolt                                  |
| 2        | 720-0279   | Wing Nut                                  |
| 3        | 747-1161A  | Blade Control Handle                      |
| 4        | 749-1092A  | Upper Handle                              |
| 5        | 746-0957   | Blade Control Cable - 37.25 inch          |
|          | 746-0946   | Blade Control Cable - 48.25 inch          |
|          | 746-1130   | Blade Control Cable - 40.00 inch          |
| 6        | 749-04037  | Lower Handle                              |
| 7        | 725-0157   | Cable Tie                                 |
| 8        | 787-01097  | Deck Assembly 22-inch                     |
| 9        | 710-0654A  | TT Screw 3/8-16 x 1.0                     |
| 10       | 748-0376C  | Blade Adapter, #6 x 1.19, w/Star          |
|          | 748-04096  | Blade Adapter, 25mm x 1.19                |
| 11       | 742-0642A  | Standard Blade 22-inch                    |
| 12       | 736-0452   | Washer, Bell, .396 x 1.140 x .095         |
| 13       | 710-1044   | Screw 3/8-24 x 1.5                        |
| 14       | 712-04065  | Lock Nut 3/8-16                           |
| 15       | 741-0751   | Height Adjuster Bearing                   |
| 16       | 687-02094  | Pivot Arm                                 |
| 17       | 687-02051  | Lever Assembly (Includes Ref. # 31 & #36) |
| 18       | 736-0741   | Bell Washer .760 ID x 1.25 OD             |
| 19       | 738-1172   | Shoulder Screw                            |
| 20       | 734-04213A | Front Wheel, 7 x 1.8, K2 Bar              |
|          | 734-1988   | Front Wheel, 7 x 1.8, Bar                 |
| 21       | 710-0599   | TT Screw 1/4-20 x .5                      |
| 22       | 736-0270   | Bell Washer .265 ID x .75 OD              |
| 23       | 710-0216   | Screw 3/8-16 x .75                        |
| 24       | 738-1173   | Shoulder Screw                            |
| 25       | 734-04215A | Rear Wheel, 8 x 1.8, K2 Bar               |
|          | 734-1987   | Rear Wheel, 8 x 1.8, Bar                  |
| 26       | 682-3064   | Handle Bracket Assembly RH                |
|          | 682-3065   | Handle Bracket Assembly LH                |
| 27       | 720-04072  | Star Knob                                 |
| 28       | 731-04019  | Trailshield                               |
| 29       | 17098      | Hinge Clip                                |
| 30       | 710-1174   | Carriage Bolt 5/16-18 x 2                 |
| 31       | 720-0426   | Knob                                      |
| 32       | 732-1014   | Torsion Spring                            |
| 33       | 17032A     | Chute Hinge                               |
| 34       | 747-0710   | Hinge Pin                                 |
| 35       | 731-1034B  | Hinged Chute Deflector Assembly           |
| 36       | 732-1026   | Spring Lever                              |