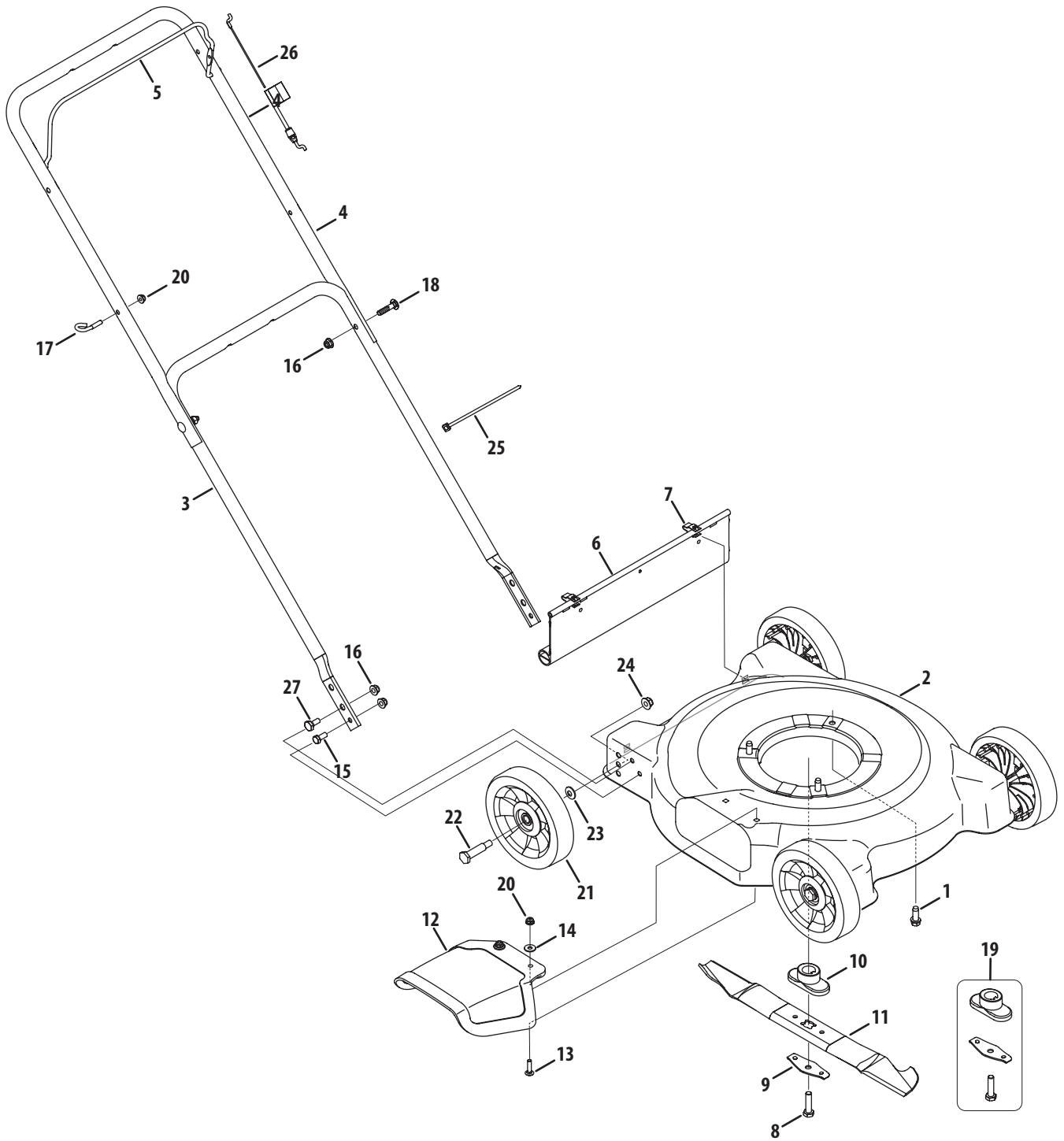


Model Series 020



Ref.	Part Number	Description
1	710-0654A	Hex Ind. Washer Screw, 3/8-16 x 1.0
2	787-01602-0638	Cutting Deck, 20" - Red
	787-01602-0709	Cutting Deck, 20" - Green
3	749-04037	Lower Handle
4	749-1092A-0637	Upper Handle
5	747-1161A-0637	Control Handle (Bail)
6	731-0872B	Rear Flap
7	17098P	Hinge Clip
8	710-1044	Screw, 3/8-24 x 1.5"
9	736-0524B	Blade Bell Support
10	748-0376C	Blade Adapter
11	942-0640	Cutting Blade
12	731-0064	Discharge Chute
13	710-0932	Carriage Screw, 1/4-20 x 1.0"
14	736-0173	Flat Washer
15	710-3008	Hex Screw, 5/16-18 x .75"
16	712-04063	Flange Lock Nut, 5/16-18
17	710-1205	Eye Bolt
18	710-0262	Carriage Bolt, 5/16-18 x 1.5"
19	753-0588	Blade Adapter Kit (Incl. Ref. 8-10)
20	712-04064	Flange Lock Nut, 1/4-20
21	734-04063	Wheel, 7" Star-Dia., Oys. Gray
22	938-0533	Shoulder Screw, .498 x 1.635
23	736-0105	Bell Washer
24	712-04065	Flange Lock Nut, 3/8-16
25	725-0157	Cable Tie
26	746-0957	Control Cable
27	938-04033	Shoulder Screw, 5/16-18 x.428"