



Illustrated Parts List



**20" Mulching Push
Lawn Mower**

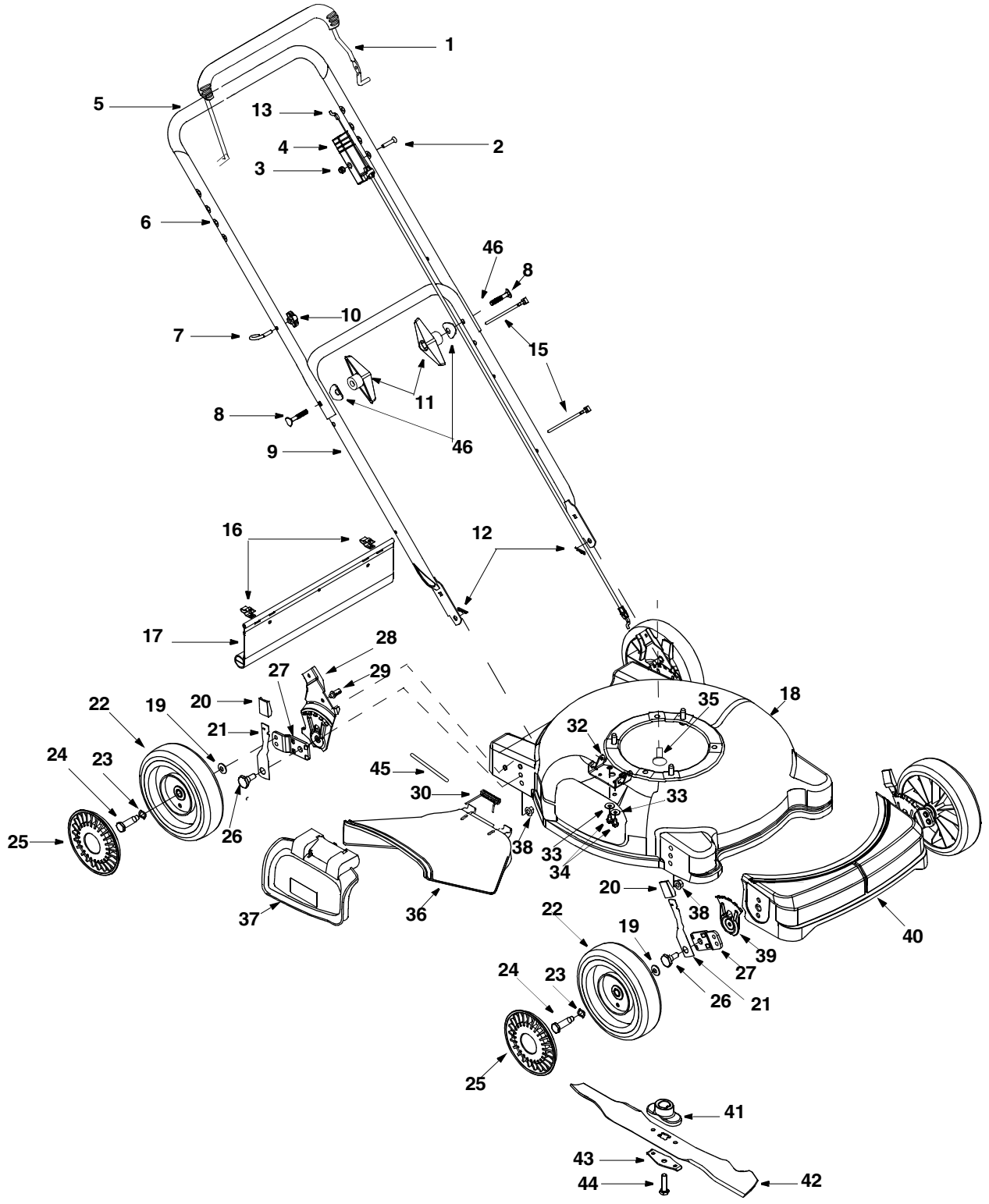
MODEL 107

IMPORTANT: Read safety rules and instructions carefully before operating equipment.

Warning: This unit is equipped with an internal combustion engine and should not be used on or near any unimproved forest-covered, brush-covered or grass-covered land unless the engine's exhaust system is equipped with a spark arrester meeting applicable local or state laws (if any). If a spark arrester is used, it should be maintained in effective working order by the operator. In the State of California the above is required by law (Section 4442 of the California Public Resources Code). Other states may have similar laws. Federal laws apply on federal lands. A spark arrester for the muffler is available through your nearest engine authorized service dealer or contact the service department, P.O. Box 361131 Cleveland, Ohio 44136-0019.

MTD LLC, P.O. BOX 361131 CLEVELAND, OHIO 44136-0019

SECTION 10: PARTS LIST MODEL 107



Model 107

| Ref. No. | Part No. | Description | Ref. No. | Part No. | Description |
|----------|-----------|------------------------------|----------|-----------|---------------------------------|
| 1. | 647-0004 | Control Handle Assembly | 26. | 738-0507B | Shoulder Bolt |
| 2. | 710-1270 | Oval C-Sunk Screw | 27. | 15262B | Pivot Bar |
| 3. | 712-0324 | Hex Lock Nut | 28. | 682-3024 | Handle Bracket Assembly RH |
| 4. | 746-0883 | Control Housing | | 682-3025 | Handle Bracket Assembly LH* |
| 5. | 720-0295 | Foam Grip | 29. | 738-0585 | Stake Bolt |
| 6. | 749-0705A | Upper Handle | 30. | 732-0731 | Torsion Spring |
| 7. | 710-1205 | Rope Guide | 31. | 14578 | Height Adjust. Assembly RH |
| 8. | 710-1174 | Carriage Bolt | | 14579 | Height Adjust. Assembly LH* |
| 9. | 749-0928 | Lower Handle | 32. | 782-7006 | Mounting Bracket |
| 10. | 720-0279 | Wing Nut | 33. | 736-0270 | Bell Washer |
| 11. | 720-0284 | Hand Knob | 34. | 710-0599 | Hex Washer Hd. TT Screw |
| 12. | 714-0104 | Hairpin Clip | 35. | 710-0654A | TT Sems Screw |
| 13. | 746-0554 | Control Cable 40.5" | 36. | 731-1409 | Chute Deflector |
| 15. | 726-0240 | Cable Tie | 37. | 682-7002 | Mulching Plug Assembly |
| 16. | 17098 | Hinge Clip | 38. | 712-0431 | Hex Lock Nut |
| 17. | 731-0872A | Trail Shield | 39. | 15261A | Height Adjustment Plate |
| 18. | 682-0139 | Cutting Deck Assembly: 20" | 40. | 731-1933 | Cover: Front End |
| 19. | 736-0105 | Bell Washer | 41. | 748-0376C | Blade Adapter |
| 20. | 720-0426 | Knob: Height Adjustment | | 753-0588 | Blade Adapter Kit (for service) |
| 21. | 732-0404 | Lever: Spring | 42. | 742-0740 | 20" Mulching Blade |
| 22. | 734-2004A | Wheel Assembly | 43. | 736-0524A | Blade Bell Support |
| 23. | 736-0504 | Wave Washer | 44. | 710-1044 | Hex Bolt |
| 24. | 738-0102 | Axle Bolt | 45. | 747-0710 | Hinge Pin |
| 25. | 731-1426 | Hubcap: Radial Spoke, Yellow | 46. | 736-0451 | Saddle Washer |

* Not shown in Illustration on previous page

NOTE: For **painted parts**, please refer to the list of color codes below. Please add the applicable color code, wherever needed, to the part number to order a replacement part. For instance, if a part numbered 700-xxxx is painted Yard-Man Green, the part number to order would be 700-xxxx-0665.

Yard-Man Green: 0665

Yard-Man Yellow: 0674

Powder Black: 0637