



Illustrated Parts List



**20" Mulching Push
Lawn Mower**

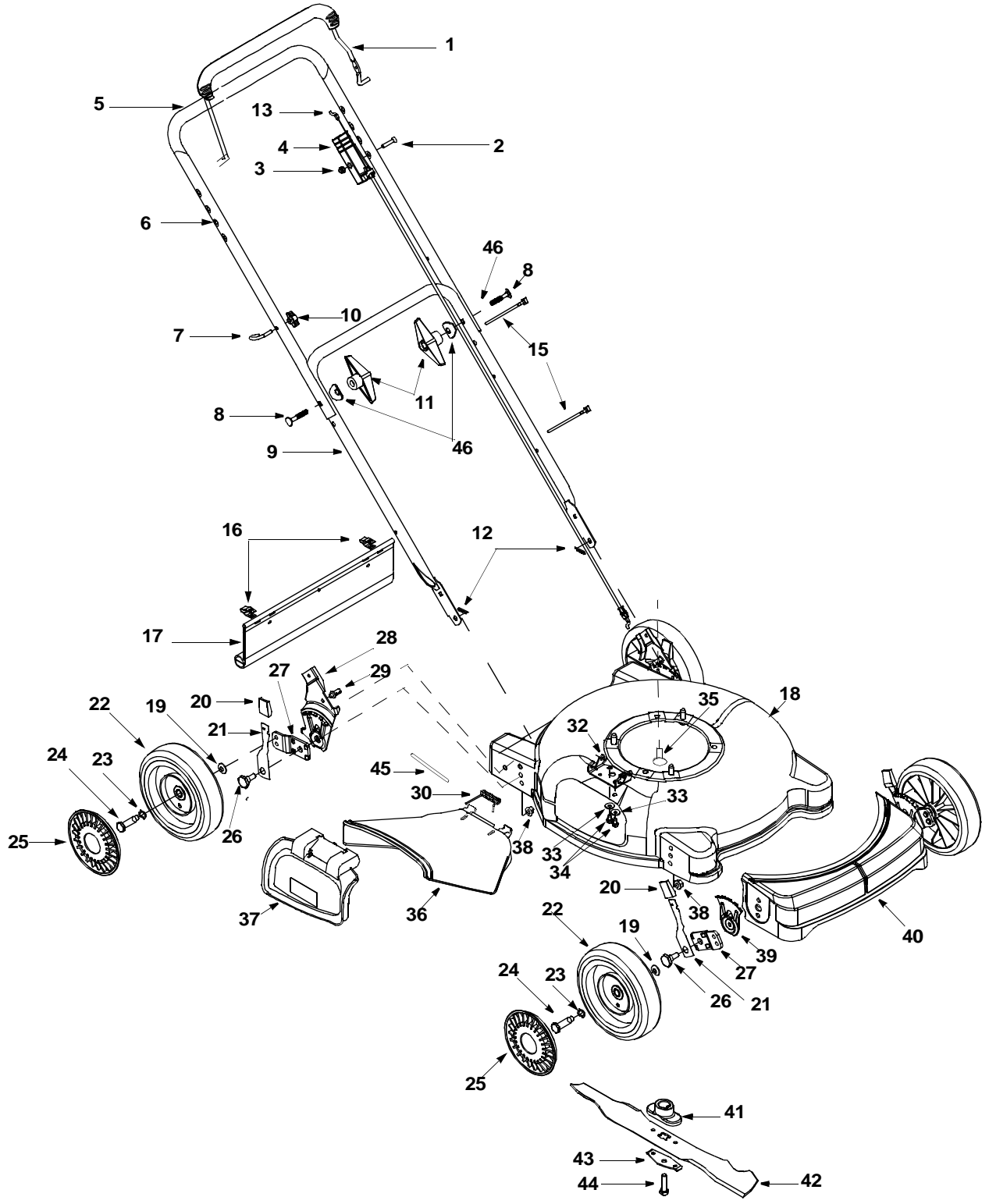
MODEL 106

IMPORTANT: Read safety rules and instructions carefully before operating equipment.

Warning: This unit is equipped with an internal combustion engine and should not be used on or near any unimproved forest-covered, brush-covered or grass-covered land unless the engine's exhaust system is equipped with a spark arrester meeting applicable local or state laws (if any). If a spark arrester is used, it should be maintained in effective working order by the operator. In the State of California the above is required by law (Section 4442 of the California Public Resources Code). Other states may have similar laws. Federal laws apply on federal lands. A spark arrester for the muffler is available through your nearest engine authorized service dealer or contact the service department, P.O. Box 361131 Cleveland, Ohio 44136-0019.

MTD LLC, P.O. BOX 361131 CLEVELAND, OHIO 44136-0019

SECTION 10: PARTS LIST MODEL 106



Model 106

Ref. No.	Part No.	Description	Ref. No.	Part No.	Description
1.	647-0004	Control Handle Assembly	26.	738-0507B	Shoulder Bolt
2.	710-1270	Oval C-Sunk Screw	27.	15262B	Pivot Bar
3.	712-0324	Hex Lock Nut	28.	682-3024	Handle Bracket Assembly RH
4.	746-0883	Control Housing		682-3025	Handle Bracket Assembly LH*
5.	720-0295	Foam Grip	29.	738-0585	Stake Bolt
6.	749-0705A	Upper Handle	30.	732-0731	Torsion Spring
7.	710-1205	Rope Guide	31.	14578	Height Adjust. Assembly RH
8.	710-1174	Carriage Bolt		14579	Height Adjust. Assembly LH*
9.	749-0928	Lower Handle	32.	782-7006	Mounting Bracket
10.	720-0279	Wing Nut	33.	736-0270	Bell Washer
11.	720-0284	Hand Knob	34.	710-0599	Hex Washer Hd. TT Screw
12.	714-0104	Hairpin Clip	35.	710-0654A	TT Sems Screw
13.	746-0554	Control Cable 40.5"	36.	731-1409	Chute Deflector
15.	726-0240	Cable Tie	37.	682-7002	Mulching Plug Assembly
16.	17098	Hinge Clip	38.	712-0431	Hex Lock Nut
17.	731-0872A	Trail Shield	39.	15261A	Height Adjustment Plate
18.	682-0139	Cutting Deck Assembly: 20"	40.	731-1933	Cover: Front End
19.	736-0105	Bell Washer	41.	748-0376C	Blade Adapter
20.	720-0426	Knob: Height Adjustment		753-0588	Blade Adapter Kit (for service)
21.	732-0404	Lever: Spring	42.	742-0740	20" Mulching Blade
22.	734-2004A	Wheel Assembly	43.	736-0524A	Blade Bell Support
23.	736-0504	Wave Washer	44.	710-1044	Hex Bolt
24.	738-0102	Axle Bolt	45.	747-0710	Hinge Pin
25.	731-1426	Hubcap: Radial Spoke, Yellow	46.	736-0451	Saddle Washer

* Not shown in Illustration on previous page

NOTE: For **painted parts**, please refer to the list of color codes below. Please add the applicable color code, wherever needed, to the part number to order a replacement part. For instance, if a part numbered 700-xxxx is painted Yard-Man Green, the part number to order would be 700-xxxx-0665.

Yard-Man Green: 0665

Yard-Man Yellow: 0674

Powder Black: 0637