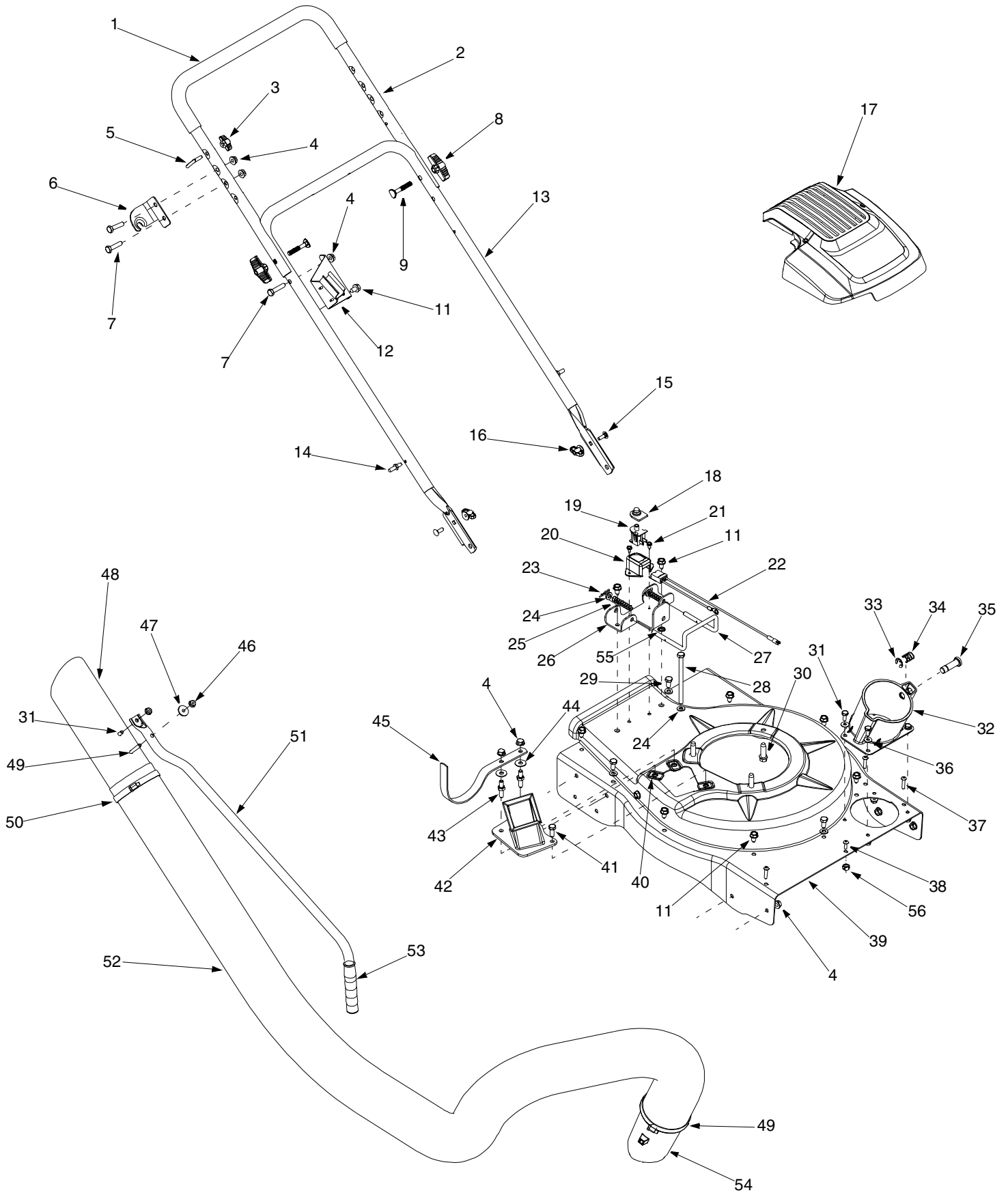


Model 060F401



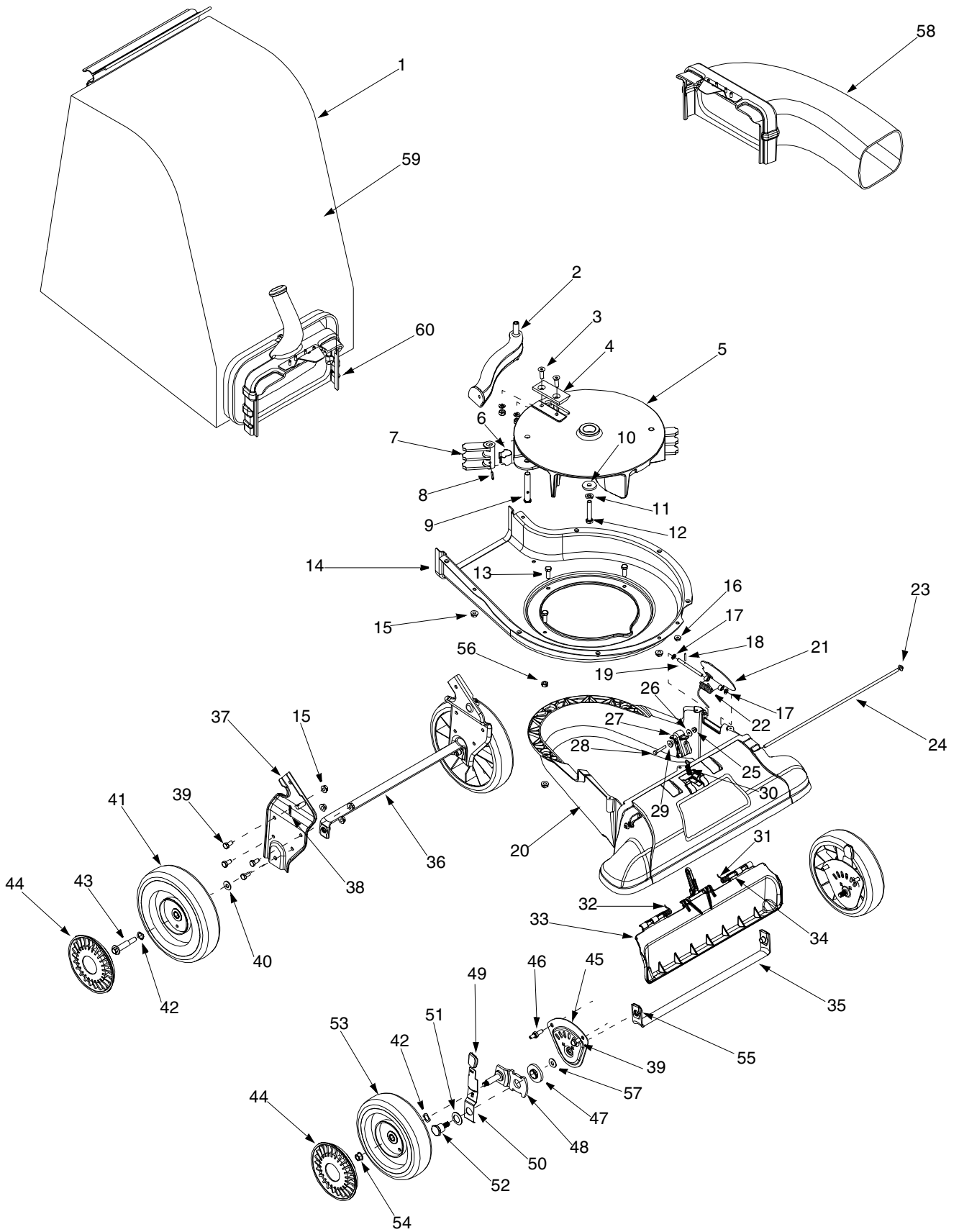
Model 060F401

Ref. No.	Part No.	Part Description	Ref. No.	Part No.	Part Description
1.	720-0295	Foam Grip	30.	710-0502A	Hex Washer Screw 3/8-16 x 1.25
2.	749-1423	Upper Handle	31.	710-0751	Hex Cap Screw 1/4-20 x .620
3.	720-0279	Knob	32.	731-2484	Hose Base Adapter
4.	712-3004A	Flange Lock Nut 5/16-18	33.	716-0104	E Ring .500 Dia
5.	710-1205	Eye Bolt	34.	732-3035	Compression Spring
6.	781-1056	Upper Handle Bracket	35.	711-1571	Clevis Pin
7.	710-0528	Hex Cap Screw 5/16-18 x 1.25	36.	736-3020	Flat Washer .271 ID x .630 OD
8.	720-0314	Handle Knob 5/16-18	37.	710-0969	Screw #12-16 x 1.0
9.	710-1174	Carriage Bolt	38.	710-0425	Machine Screw #10 - 24 x .625
11.	710-0604A	Hex Washer Screw 5/16-18 x.625	39.	781-1042	Upper Housing
12.	681-0174	Lower Handle Bracket	40.	726-0454	U-Clip Lock Nut 5/16-18
13.	749-0907B	Lower Handle	41.	710-3008	Hex Cap Screw 5/16-18 x.75
14.	711-1293	Studs	42.	681-0122	Chipper Chute Assembly
15.	710-0703	Carriage Screw 1/4-20 x.75	43.	738-1167	Stud 5/16-18 x .56
16.	712-0397	Wing Nut 1/4-20	44.	736-0371	Flat Washer .343 ID x .880 OD
17.	731-1402B	Shroud	45.	781-1058	Hose Bracket Hanger
18.	725-1700	Switch Cover	46.	712-3027	Hex Flange Nut 1/4-20
19.	725-3166	Safety Switch	47.	748-0457	Spacer
20.	731-1613	Safety Switch Cover	48.	731-2478	Hose Nozzle
21.	710-0224	Hex Washer Screw #10-16 x.50	49.	710-3288	Hex Cap Screw 1/4-20 x 2.625
22.	629-0920	Wire Harness	50.	723-0295	Adjustment Clamp
23.	714-0104	Cotter Pin	51.	749-1270	Nozzle Handle
24.	736-0264	Flat Washer.330 ID x.630 OD	52.	764-0648	Vacuum Hose
25.	732-0962	Compression Spring	53.	07071	Handle Grip
26.	781-0778A	Mounting Bracket	54.	731-2292	Hose Adapter
27.	747-1153	Lock Rod	55.	736-0607	External L-Washer 5/16
28.	710-3195	Hex Cap Screw 5/16-18 x 4.5	56.	712-0161	Hex Lock Nut #10 - 24
29.	710-3025	Hex Cap Screw 5/16-18 x.625			

NOTE: For **painted parts**, please refer to the list of color codes below. Please add the applicable color code, wherever needed, to the part number to order a replacement part. For instance, if a part numbered 700-xxxx is painted Yard-Man Green, the part number to order would be 700-xxxx-0665.

Yard-Man Green: 0665
 Yard-Man Yellow: 0674
 Powder Black: 0637

Model 060F401



Model 060F401

Ref. No.	Part No.	Part Description	Ref. No.	Part No.	Part Description
1.	664-0090	Bag Assembly	32.	732-1150	Torsion Spring RH
2.	681-0154	Screen Assembly	33.	731-2294	Nozzle Door
3.	710-1054	Hex Screw 5/16-24 x 1.0	34.	711-1582	Rod .25 x 1.25 Lg
4.	781-0490	Chipper Blade	35.	781-0725A	Front Wheel Support Brace
5.	681-0152	Impeller Assembly	36.	781-0777	Rear Wheel Support Brace
6.	781-0735	Pin Clip	37.	681-0155	Handle Bracket Ass'y LH
7.	719-0329	Flail Blade		681-0156	Handle Brkt Ass'y RH (Not Shown)
8.	715-0166	Spiral Pin	38.	714-0104	Cotter Pin
9.	711-1401	Clevis Pin	39.	710-3025	Hex Cap Screw 5/16-18 x .625
10.	736-0247	Flat Washer .375 ID x 1.25 OD	40.	736-0105	Bell Washer .401 ID x .870 OD
11.	736-0217	Lock Washer 3/8	41.	734-1992	Wheel 9 x 2
12.	710-0818	Hex Cap Screw 3/8-24 x 2.0	42.	736-0232	Wave Washer .531 ID x .781 OD
13.	710-3038	Hex Cap Screw 5/16-18 x .875	43.	738-1015	Shoulder Screw 3/8-16
14.	781-0721A	Lower Housing	44.	731-1426	Hubcap
15.	712-3004A	Flange Lock Nut 5/16-18	45.	781-0785	Height Adjustment Bracket
16.	712-3027	Hex Flange Nut 1/4-20	46.	738-1185	Stud 5/16-18 .56 x .75
17.	736-0142	Flat Washer .281 ID x .50 OD	47.	741-0751	Height Adjustment Bearing
18.	714-0225	Cotter Pin	48.	682-0113	Pivot Arm Assembly
19.	711-1560	Pivot Rod	49.	720-0426	Height Adjustment Knob
20.	731-2520	Nozzle	50.	732-1026	Spring Lever
21.	781-1064	Base Adapter Door	51.	736-0741	Bell Washer .760 ID x .25 OD
22.	732-1156	Torsion Spring	52.	738-1173	Shoulder Screw .750 ID x .625 OD
23.	726-0106	Cap Speed Nut 1/4	53.	734-1978	Wheel 8 x 2
24.	711-1551	Pivot Rod	54.	712-0431	Flange Lock Nut 3/8-16
25.	712-0161	Hex Lock Nut #10-24	55.	726-0453	Lock Nut 3/8-16
26.	736-0400	Flat Washer .194 ID x .62 OD	56.	712-0158	Hex Lock Nut 5/16-18
27.	731-2485	Nozzle Door Lever	57.	736-0314	Thrust Washer .375 ID x .70 OD
28.	710-1156	Hex Screw #10-24 x 1.25	58.	OEM-290-012	Blower Chute (If Equipped)
29.	750-1294	Shoulder Spacer	59.	764-0507	Bag
30.	732-3118	Extension Spring	60.	631-0083	Chute Assembly
31.	732-1151	Torsion Spring LH			