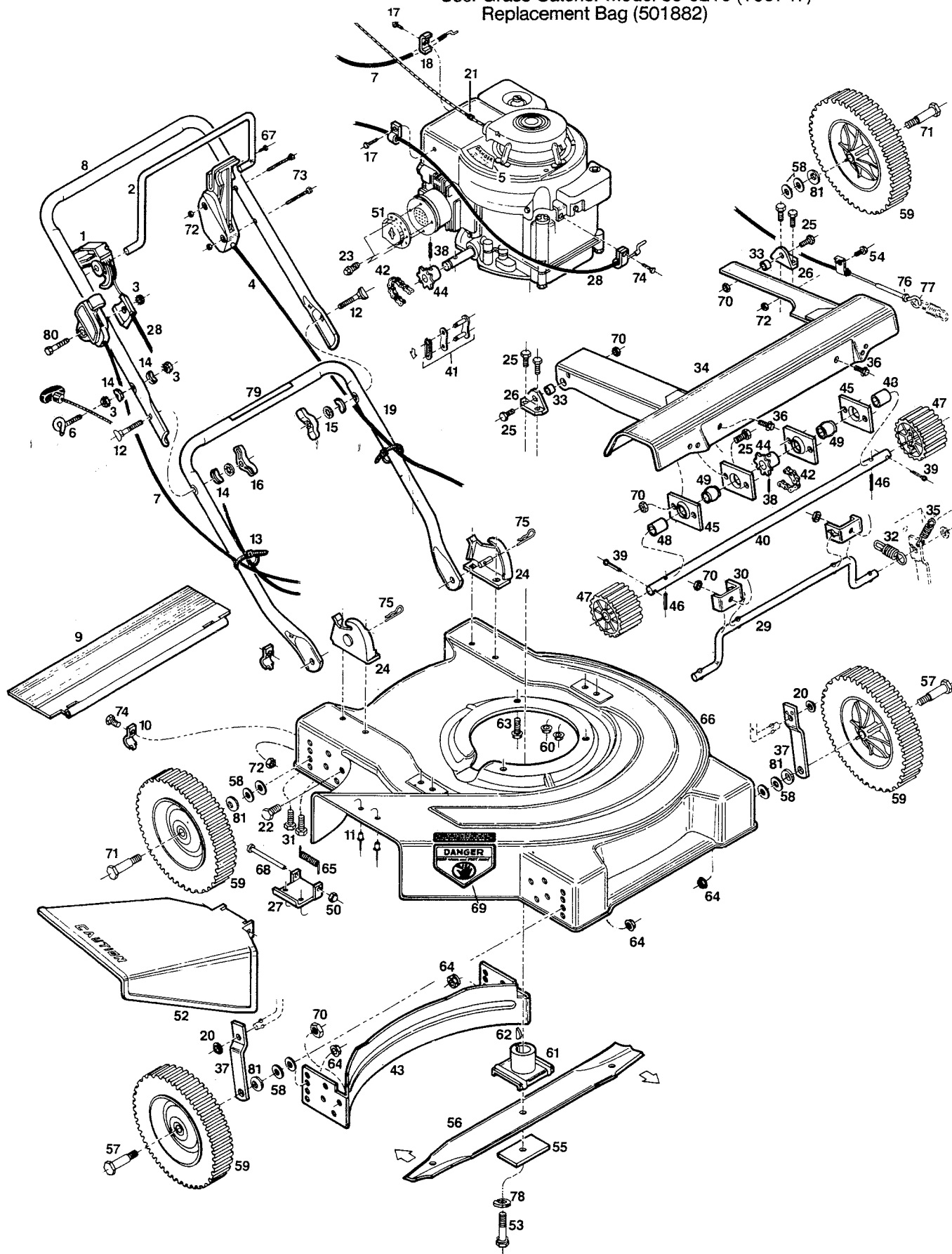


22" Side Discharge Self-Propelled Rotary Mower Model: 0361D

Use: Grass Catcher Model 30-0215 (160747)
Replacement Bag (501882)



22" Side Discharge Self-Propelled Rotary Mower Model: 0361D

Use: Grass Catcher Model 30-0215 (160747)
Replacement Bag (501882)

Ref. No.	JCPenney Part No.	Supplier Part No.	Description	Ref. No.	JCPenney Part No.	Supplier Part No.	Description
1	1244-0202	111526	Actuator-Engine Control	40	1294-0185	417741	Shaft-Pinion
2	1324-5097	097725	Handle-Bail	41	1066-3110	425207	Master Link
3	1066-3607	715037	Nut-1/4-20 Keps	42	1286-1423	425306	Chain
4	1324-5121	051607	Control-Drive	43	1244-0186	106963	Baffle
5	1302-2827	001461	Decal-Blade Warning	44	1277-7918	170142	Sprocket-Drive
6	1302-0862	152371	Rope Guide	45	1286-1621	463778	Plate-Bearing
7	1302-0839	780536	Control-Throttle	46	1300-2555	314096	Pin-Roll 3/16 x 1 1/4
8	1244-0228	071092	Handle-Folding	47	1302-6935	416693	Pinion-Drive
9	1304-9671	111609	Trailing Shield	48	1138-4823	468397	Spacer
10	1244-0020	106914	Clip	49	1297-9308	423319	Bearing
11	1302-0805	764290	Rivet	50	1304-0720	151753	Nut-Acorn
12	1244-0004	151936	Bolt-Handle	51	1304-0738	133488	Deflector-Muffler
13	1244-0012	110379	Cable Tie	52	1138-1118	463935	Deflector-Hinged
14	1286-1597	150201	Washer-Curved	53	1324-5030	157255	Bolt-Blade
15	1297-6106	461665	Washer-Lock	54	1244-0244	151522	Screw-10-24 x 3/4 HWH
16	1286-1555	150235	Nut-Wing	55	1286-1654	106005	Spacer-Adapter
17	1302-2678	150623	Screw-Casing	56	1299-5114	030353	Blade-22"
18	1300-6747	150318	Clamp-Casing	57	1277-8205	150730	Bolt-Shoulder, Front
19	1244-0079	071563	Yoke	58	1283-1509	715417	Washer-3/8 Flat
20	1300-6762	452250	Nut-3/8 Push	59	1277-7926	498659	Wheel Assy.-8"
21	1308-0981	152074	Rope Stop	60	1297-0505	451419	Nut-1/4-20 Flange
22	1302-1597	715052	Bolt-1/4-20 x 1/2	61	1297-5801	126466	Adapter-Blade
23	1302-9608	120048	Screw	62	1286-1506	150276	Key
24	1244-0129	107094	Bracket-Yoke, L.H.	63	1297-5793	457168	Bolt-Engine
	1285-5565	107086	Bracket-Yoke R.H.	64	1286-1548	451492	Nut-Axle
25	1286-1530	449587	Bolt-1/4-20 x 3/8	65	1304-0746	132423	Spring-Deflector Return
26	1302-6901	769067	Bracket-Pinion Tube	66	1244-0251	028993	Housing 22"
27	1138-1092	109629	Bracket-Deflector	67	1302-0714	152181	Screw-Bail Retaining
28	1324-5139	051490	Cable-Engine Control	68	1297-6288	151761	Pin-Deflector Hinge Pivot
29	1286-1365	783605	Rod-Engagement	69	1155-1181	144063	Decal-"Danger"
30	1297-9258	771691	Bracket-Hinge	70	1304-5422	715508	Nut-1/4-20 Locking
31	1129-0277	457499	Bolt-1/4-20 x 1/2	71	1302-2868	156158	Bolt-Shoulder, Rear
32	1302-0912	775858	Spring-Lever Arm	72	1159-7283	452318	Nut-10-24 Hex Nylok
33	1302-6919	468355	Spacer-Pivot	73	1312-0290	459750	Bolt-10-24 x 2 1/4 Hex
34	1277-7447	012831	Cover Assembly-Pinion	74	1297-6197	151613	Bolt-No. 10-32 x 1/2 Hex
35	1300-0245	775817	Spring-Pinion Assembly	75	1286-1670	715011	Hitch Pin
36	1298-1130	459206	Screw-1/4-20 x 5/8	76	1277-7736	151985	Nut - Hex #10-24
37	1297-5785	778696	Arm-Actuated	77	1277-7744	153890	Eye Bolt
38	1299-5775	715193	Pin-Roll 3/16 x 1	78	1302-2835	156919	Lockwasher-3/8 HD Split
39	1302-8972	317016	Pin-Cotter 1/8 x 1	79	1277-7934	760405	Decal - Starting Instructions
				80	1324-5048	153874	Bolt-1/4-20x2 1/4 Hex
				81	1300-6549	715607	Washer-3/8 Belleville
						199182	Owner's Handbook
						OPTIONAL ACCESSORY	
					1172-2295	30-0215	Grass Catcher
					1135-8157	30-0265	Replacement Bag

**NOTE: PARTS ARE RIGHT OR LEFT HAND AS VIEWED FROM THE OPERATOR POSITION
SPECIFICATIONS SUBJECT TO CHANGE WITHOUT PRIOR NOTICE**

• INDICATES OPTIONAL EQUIPMENT