



Illustrated Parts List

**Pressure Washer / Lavadora de Presión
Model / Modelo 020296**



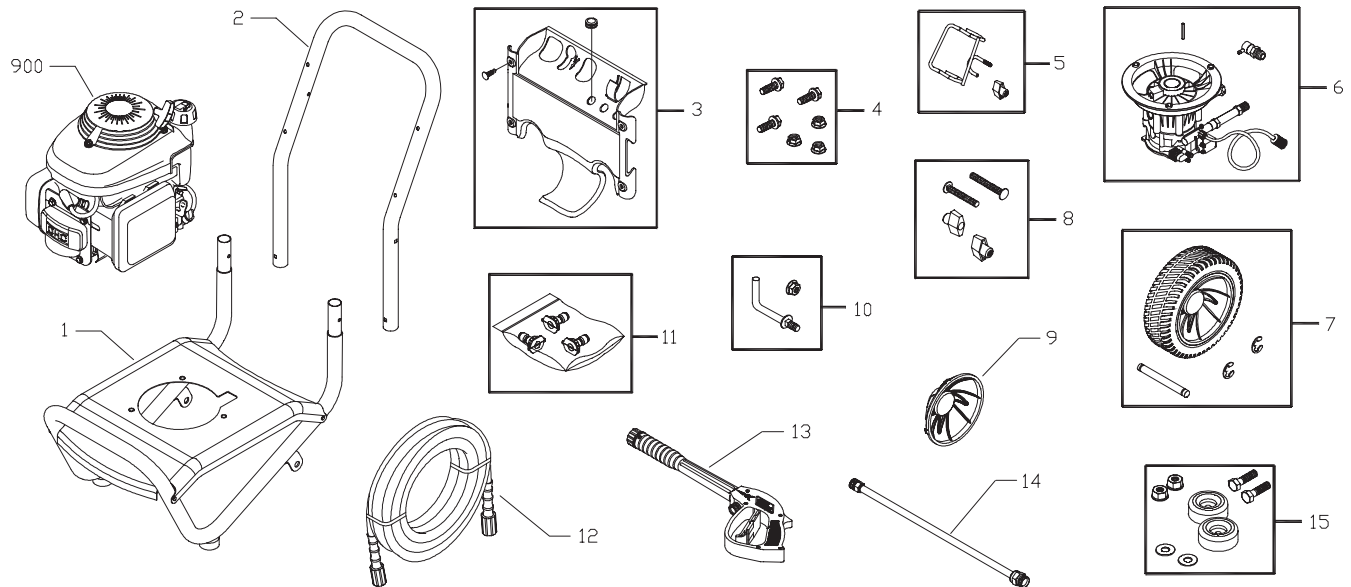
**Questions? Preguntas?
Helpline - 1-888-611-6708 M-F 8-5 CT**

Troy-Bilt® is a registered trademark of MTD Products Inc and is used under license to Briggs & Stratton Power Products.
Troy-Bilt® es una marca registrada de MTD y se usa abajo licencia a Briggs & Stratton Power Products

**Briggs & Stratton Power Products Group, LLC
Jefferson, Wisconsin, U.S.A.**

Exploded Views and Parts List

EXPLODED VIEW AND PARTS LIST — MAIN UNIT



Item	Part #	Description
1	201366GS	ASSY, Base
2	P199110GS	HANDLE
3	201933GS	KIT, Billboard Assy
4	192649GS	KIT, Pump Mounting Hardware
5	201661GS	KIT, Gun Holder
6	199735GS	ASSY, Pump
7	201394GS	KIT, Wheel
8	B2203GS	KIT, Handle Connector
9	200519GS	CAP, Hub
10	192309GS	KIT, Hook, Base
11	201324GS	KIT, Nozzles
12	196006GS	HOSE
13	193482GS	GUN
14	190779GS	ASSY, Extension
15	192310GS	KIT, Vibration Mount
900	§	ENGINE

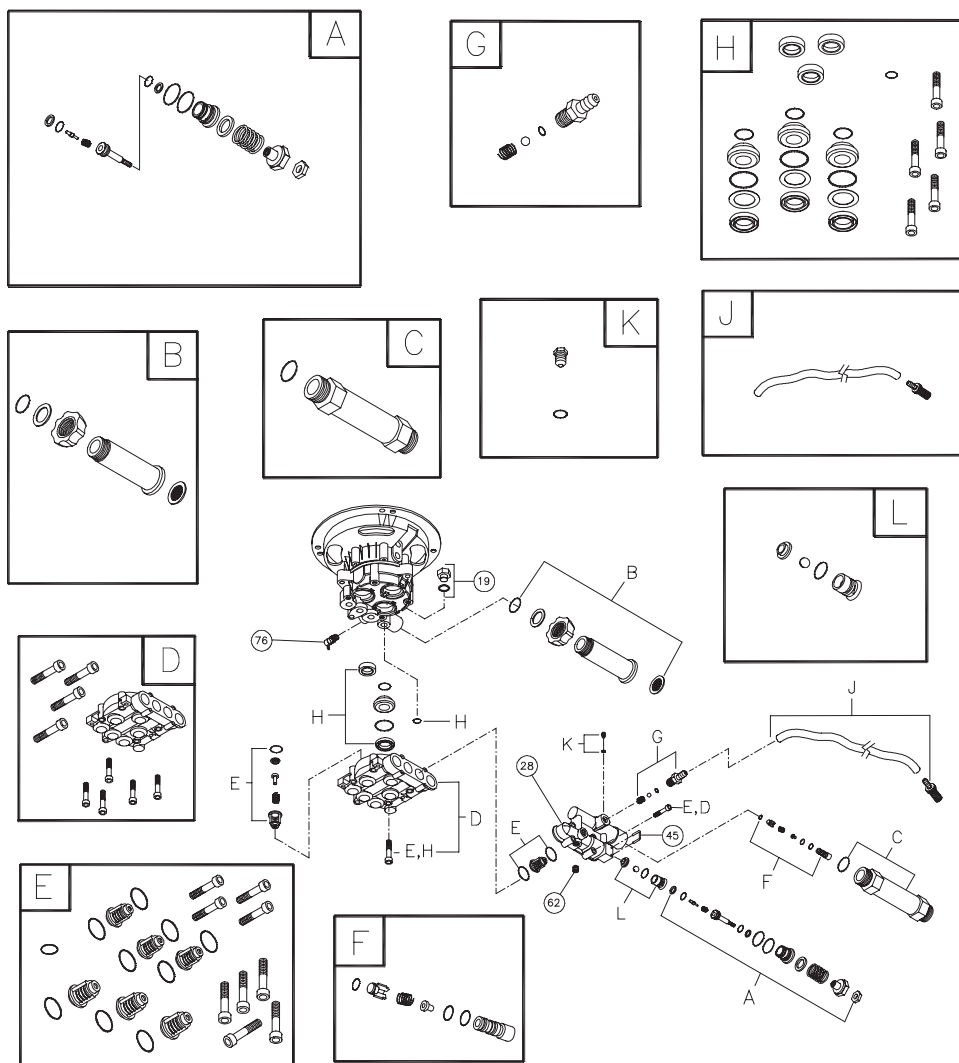
Parts Not Illustrated	
201740GS	MANUAL, Operator's
194256GS	KIT, Tag/Waring Srv
194524GS	DECAL, Choke
BB3061BGS	OIL BOTTLE
87815GS	GOGGLES

Optional Accessories	
5041D	STABILIZER, Fuel
6048	KIT, O-Ring
6039	PUMP SAVER

§ - Contact Engine Manufacturer

Exploded Views and Parts List

EXPLODED VIEW AND PARTS LIST — PUMP



Item	Part #	Description
19	190571GS	CAP, Oil
28	190627GS	MANIFOLD
45	190578GS	PIN
62	190581GS	CAP, 1/8
76	194298GS	THERMAL RELIEF
A	190594GS	KIT, UNLOADER STEM
B	190632GS	KIT, WATER INLET, ALUM
C	190634GS	KIT, OUTLET, ALUM
D	199708GS	KIT, HEAD ALUM
E	193806GS	KIT, CHECK VALVES
F	190592GS	KIT, INLET CHECK
G	190593GS	KIT, CHEMICAL INJECTION

Item	Part #	Description
H	193807GS	KIT, SEAL SET
J	189971GS	KIT, CHEMICAL HOSE
K	193971GS	KIT, PIPE FITTING
L	193972GS	KIT, UNLOADER SEAT

Parts Not Illustrated

B2384GS	FILTER, Inlet
186452GS	FILTER, Inlet, Bag of 10

NOTE: Item letters A - L are service kits and include all parts shown within the box.