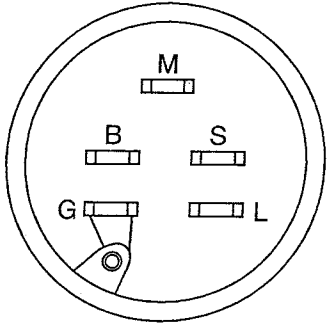
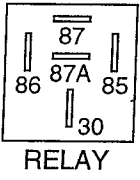
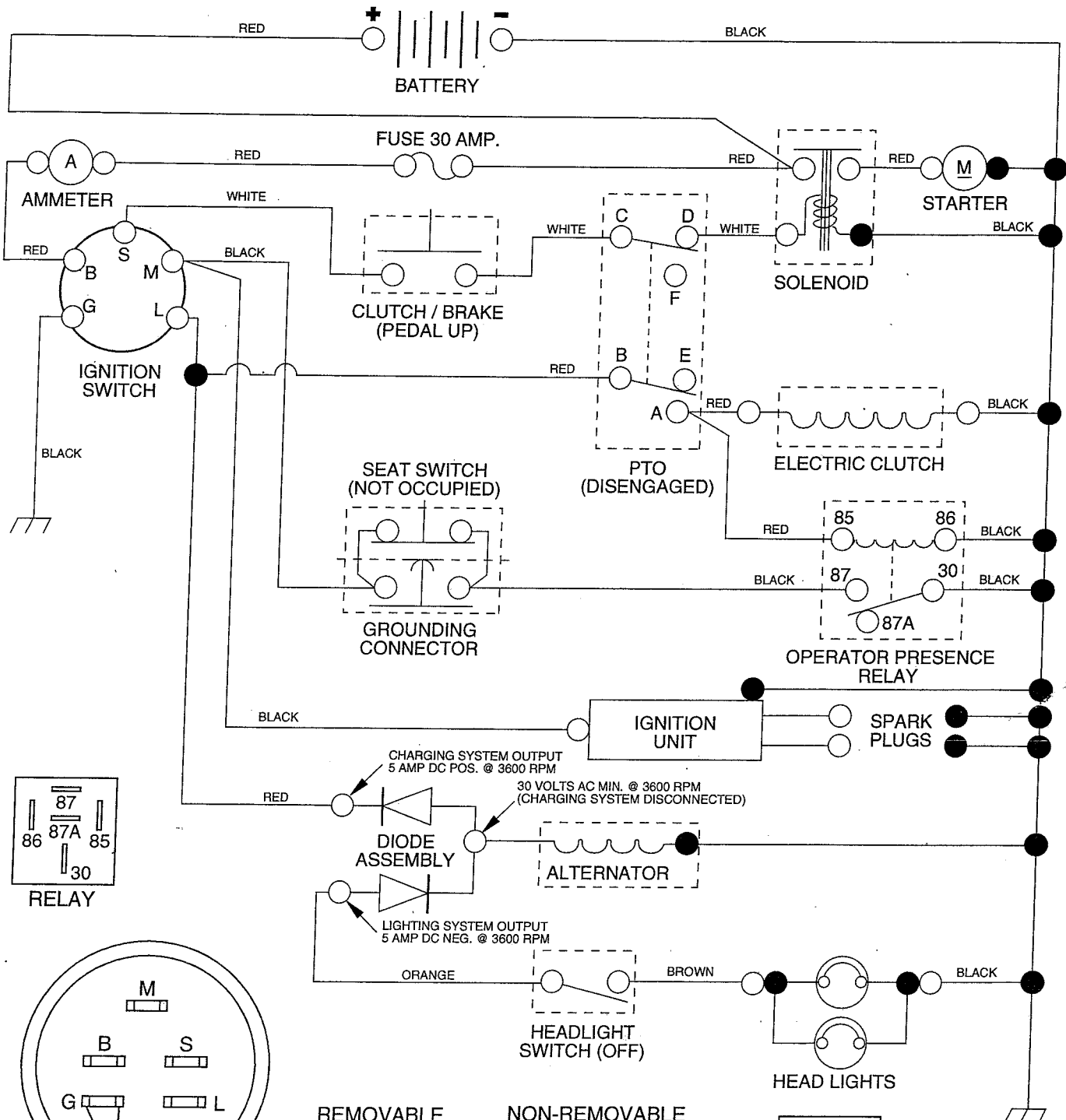


18 HP 42" TRACTOR -- MODEL NUMBER YF1842A

SCHEMATIC



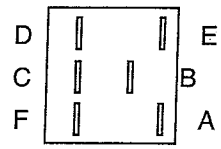
IGNITION SWITCH

POSITION	CIRCUIT
OFF	M + G
ON	B + L
START	B + S



WIRING INSULATED CLIPS

NOTE: IF WIRING INSULATED CLIPS WERE REMOVED FOR SERVICING OF UNIT, THEY SHOULD BE REPLACED TO PROPERLY SECURE YOUR WIRING



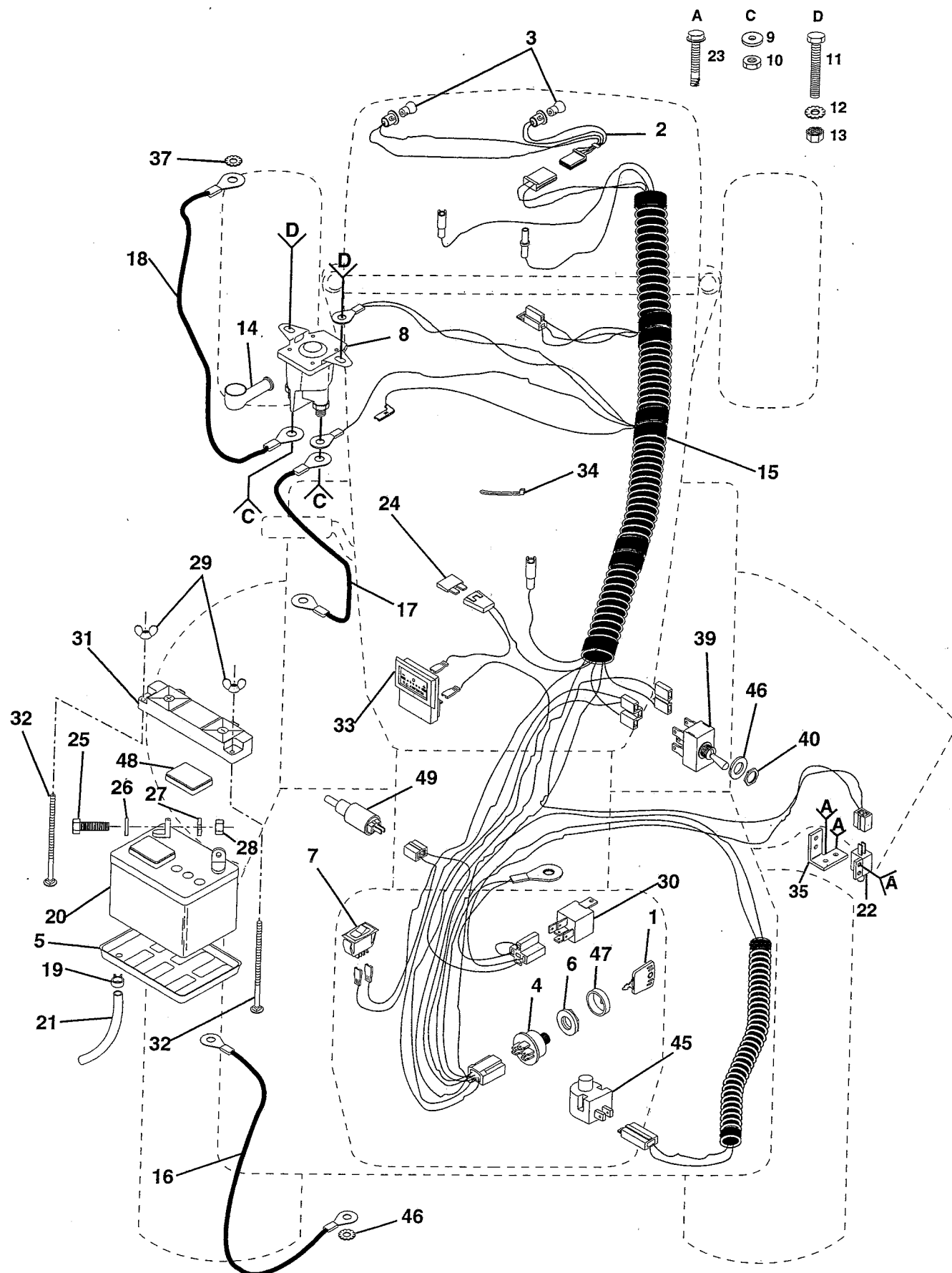
PTO SWITCH

POSITION	CIRCUIT
OFF	B + E, C + D
ON	B + A, C + F

REPAIR PARTS

18 HP 42" TRACTOR -- MODEL NUMBER YF1842A

ELECTRICAL



REPAIR PARTS

18 HP 42" TRACTOR - - MODEL NUMBER YF1842A

ELECTRICAL

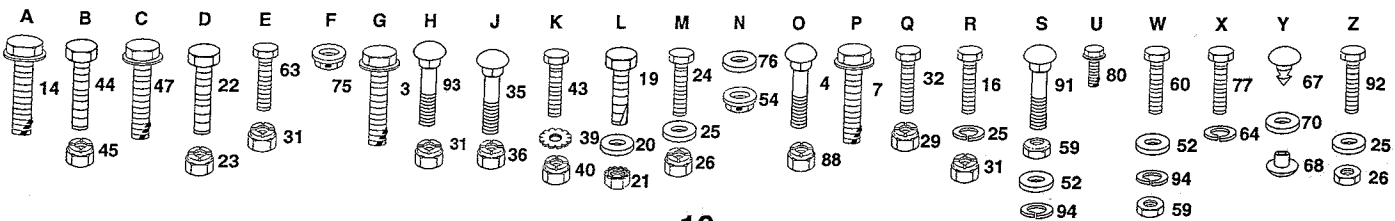
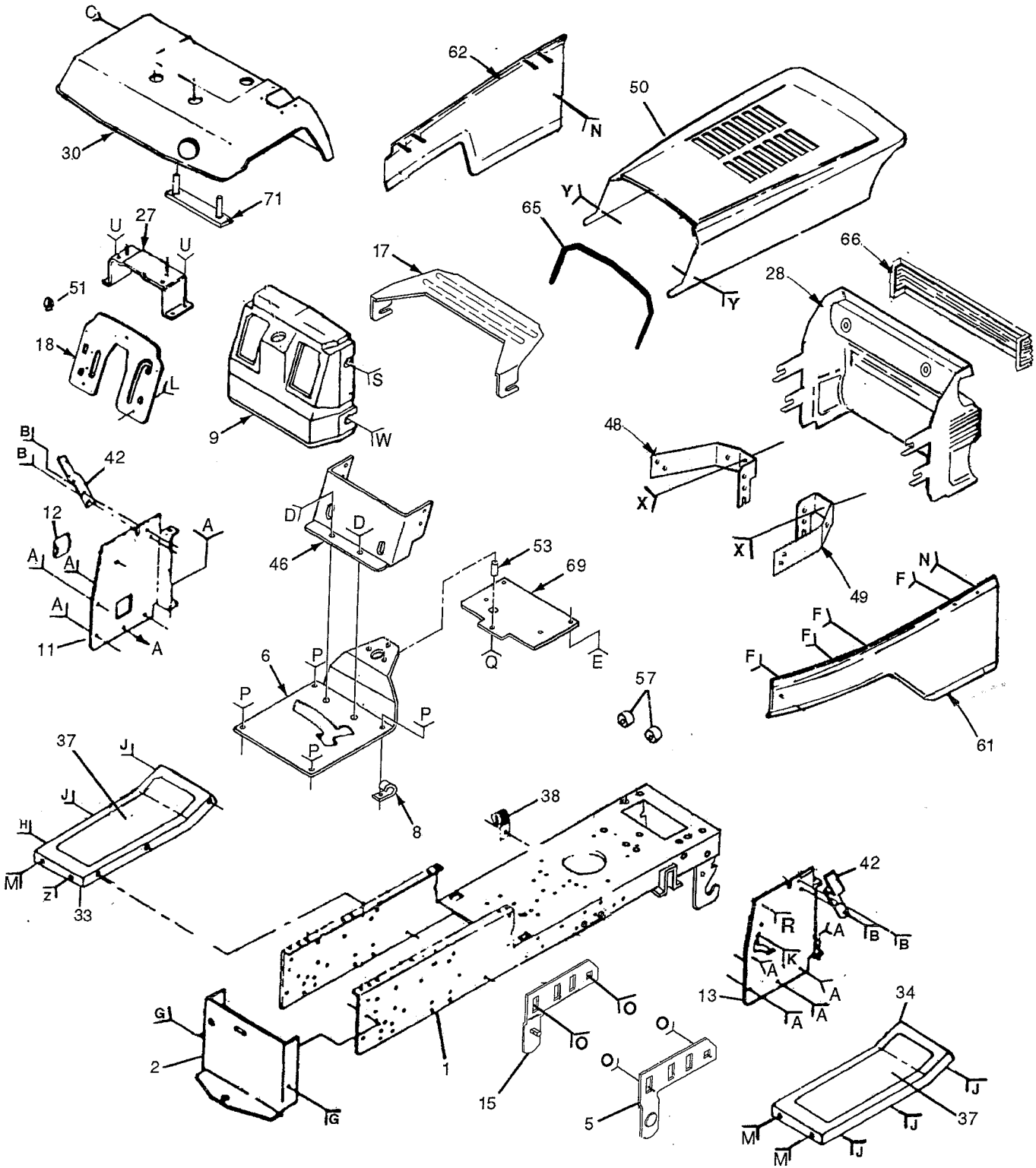
KEY PART NO. NO.	DESCRIPTION
1 122147X	Key Set
2 127441X	Harness, Light Socket
3 4152J	Bulb, Light
4 4406R	Switch, Ignition
5 7603J	Tray, Battery
6 124211X	Nut, Ignition
7 110712X	Switch, Light
8 138406	Solenoid
9 10090400	Washer, Lock 1/4
10 73350400	Nut, Jam, Hex 1/4-20
11 74780408	Bolt, Hex 1/4-20 x 1/2 Gr. 5
12 11050400	Washer, Lock, Ext. Tooth 1/4
13 73510400	Nut, Keps 1/4-20
14 131563	Cover, Terminal
15 137989	Harness, Ignition
16 4799J	Cable, Ground
17 4206J	Cable, Battery
18 4207J	Cable, Battery
19 109596X	Clamp, Hose
20 121265X	Battery Pack
21 7697J	Tube, Battery Drain
22 104445X	Switch, Interlock
23 17021008	Screw, Hex, Washer Hd., Tap #10-24 x 1/2
24 108824X	Fuse, 30 Amp
25 74760412	Bolt, Hex 1/4-20 x 3/4
26 19091016	Washer 9/32 x 5/8 x 16 Ga.
27 10040400	Washer, Lock 1/4
28 73220400	Nut Hex 1/4-20
29 123198X	Nut Wing 1/4-20
30 109748X	Relay
31 102476X	Guard, Terminal
32 72240460	Bolt, Carriage 1/4- 20 x 7-1/2
33 121433X	Ammeter
34 7192J	Tie, Cable
35 130890	Bracket Switch
37 11150400	Washer Lock Int. Tooth 1/4
39 126016X	Switch, P.T.O.
40 4022J	Nut, Hex
45 121305X	Switch, Plunger
46 11050600	Washer, Lock, Ext. Tooth 3/8
47 123620X	Cover, Switch Key
48 121264X	Caps, Battery
49 135665	Diode Asm.

NOTE: All component dimensions given in U.S. inches.
1 inch = 25.4 mm

REPAIR PARTS

18 HP 42" TRACTOR -- MODEL NUMBER YF1842A

CHASSIS AND ENCLOSURES



REPAIR PARTS

18 HP 42" TRACTOR - - MODEL NUMBER YF1842A

CHASSIS AND ENCLOSURES

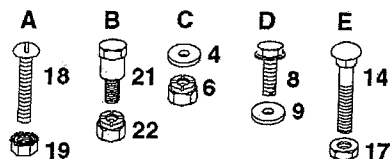
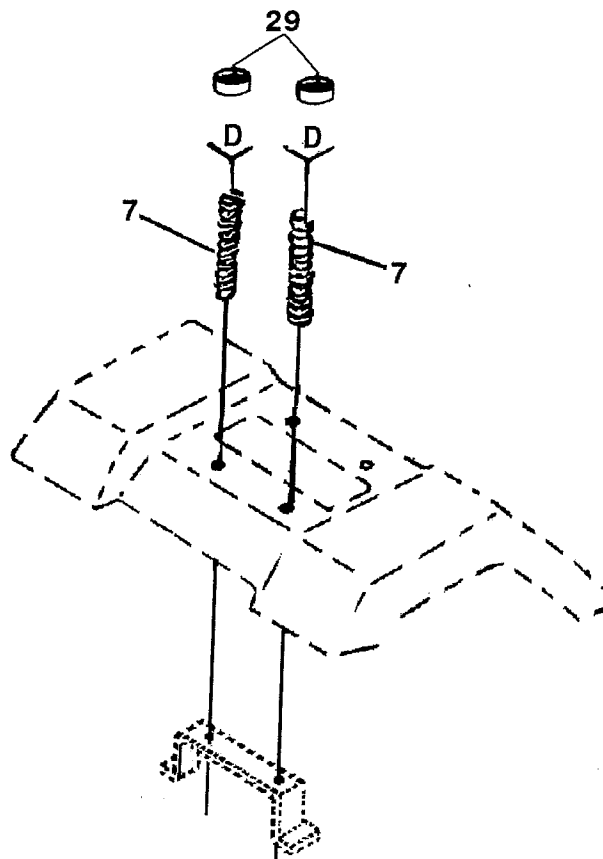
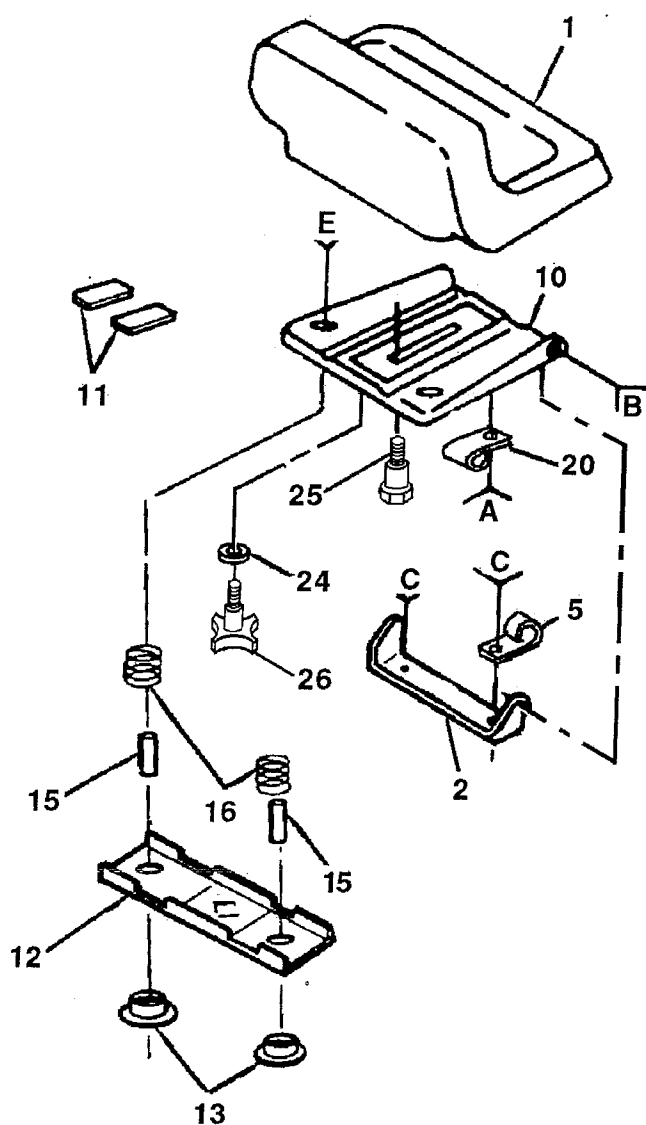
KEY PART NO. NO.	DESCRIPTION	KEY PART NO. NO.	DESCRIPTION
1 135034	Chassis	40 73680600	Nut
2 137275	Drawbar	42 138193	Bracket, Support, Dash
3 17490612	Screw, Thd., Roll. 3/8-16 x 3/4 Type TT	43 74760612	Bolt
4 72140608	Bolt, Carriage 3/8-16 x 1	44 74760616	Bolt
5 134775	Bracket Assembly, Pivot, RH	45 73800600	Nut
6 123783X016	Saddle, Silkscreened	46 105518X	Dash, Lower
7 17490608	Screw, Thd., Roll. 3/8-16 x 1/2 Type TT	47 17490608	Screw, Thd., Roll. 3/8-16 x 1/2 Type TT
8 2751R	Clip, Fuel Line	48 136814	Bracket Assembly, Front Pivot Hinge, LH
9 136696	Dash, Plastic	49 136813	Bracket Assembly, Front Pivot Hinge, RH
11 136967	Panel, Dash, LH	50 136673X427	Hood Assembly
12 121794X	Cover, Access	51 8022J	Plug Dash Black
13 136970	Panel, Dash, RH	52 19131614	Washer 13/32 x 1 x 14 Gauge
14 17490612	Screw, Thd., Roll. 3/8-16 x 3/4 Type TT	53 121236X	Spacer, Split
15 134774	Bracket Assembly, Pivot, LH	54 108067X	Nut, Pal
16 74760616	Bolt	57 110436X	Bushing, Snap, Split
17 138010	Shield Heat	59 73220600	Nut
18 124557X018	Plate, Dash	60 74760616	Bolt
19 74180412	Screw, Machine 1/4-20 x 3/4	61 136670X427	Panel Assembly, RH
20 19091216	Washer 17/64	62 136671X427	Panel Assembly, LH
21 73510400	Nut	63 74760612	Bolt
22 74180512	Screw, Machine, Truss Head 5/16-18 UNC x 3/4	64 10040400	Washer, Lock
23 73680500	Nut, Crownlock 5/16-18	65 137304	Rod, Support Hood
24 74760612	Bolt	66 136374	Lens, Bar, Clear
25 19131312	Washer 13/32 x 13/16 x 12 Gauge	67 137270	Rivet, Ratchet, Male
26 73680600	Nut, Crownlock	68 137271	Rivet, Ratchet, Female
27 137113	Bracket Assembly, Fender	69 128231	Plate, Support, Battery
28 136375	Grill	70 137269	Washer, Nylon
29 73680500	Nut, Crownlock 5/16-18	71 105511X	Strap Asm. Fender
30 123784X427	Fender	75 108067X	Nut, Pal
31 73680600	Nut, Crownlock	76 19092016	Washer 9/32 x 1-1/4 x 16 Ga.
32 74760532	Bolt, Hex 5/16-18 x 2	77 74760408	Bolt Hex 1/4 - 20 x 1/2
33 105465X427	Footrest, LH	80 17490612	Screw, Thd. Roll. 3/8-16 x 3/4 Type TT
34 105464X427	Footrest, RH	88 73800600	Locknut 3/8 - 16 UNC
35 72110606	Bolt	91 72110608	Bolt
36 73680600	Nut	92 74760614	Bolt, Hex 3/8 - 16 x 7/8
37 133671	Pad, Footrest	93 72140608	Bolt, Carriage 3/8 - 16 x 1
38 2751R	Clip, Fuel Line	94 10040600	Washer, Lock Hvy Hlcl Spr 3/8
39 11050600	Washer		

NOTE: All component dimensions given in U.S. inches
1 inch = 25.4 mm

REPAIR PARTS

18 HP 42" TRACTOR -- MODEL NUMBER YF1842A

SEAT ASSEMBLY



KEY NO.	PART NO.	DESCRIPTION
1	127429X	Seat
2	126656X	Bracket, Pivot, seat
4	19131210	Washer 13/32 X 3/4 X 10 Ga
5	2751R	Clip, Fuel Line
6	73680600	Nut
7	124181X	Spring, seat, compression
8	17490508	Screw, thread rolling 516-18 X 1/2
9	19131614	Washer 13/32 X 1 X 14 ga
10	131451	Pan, seat
11	121251X	Foam strip
12	121246X	Bracket, mounting switch
13	121248X	Bushing, snap, nylon

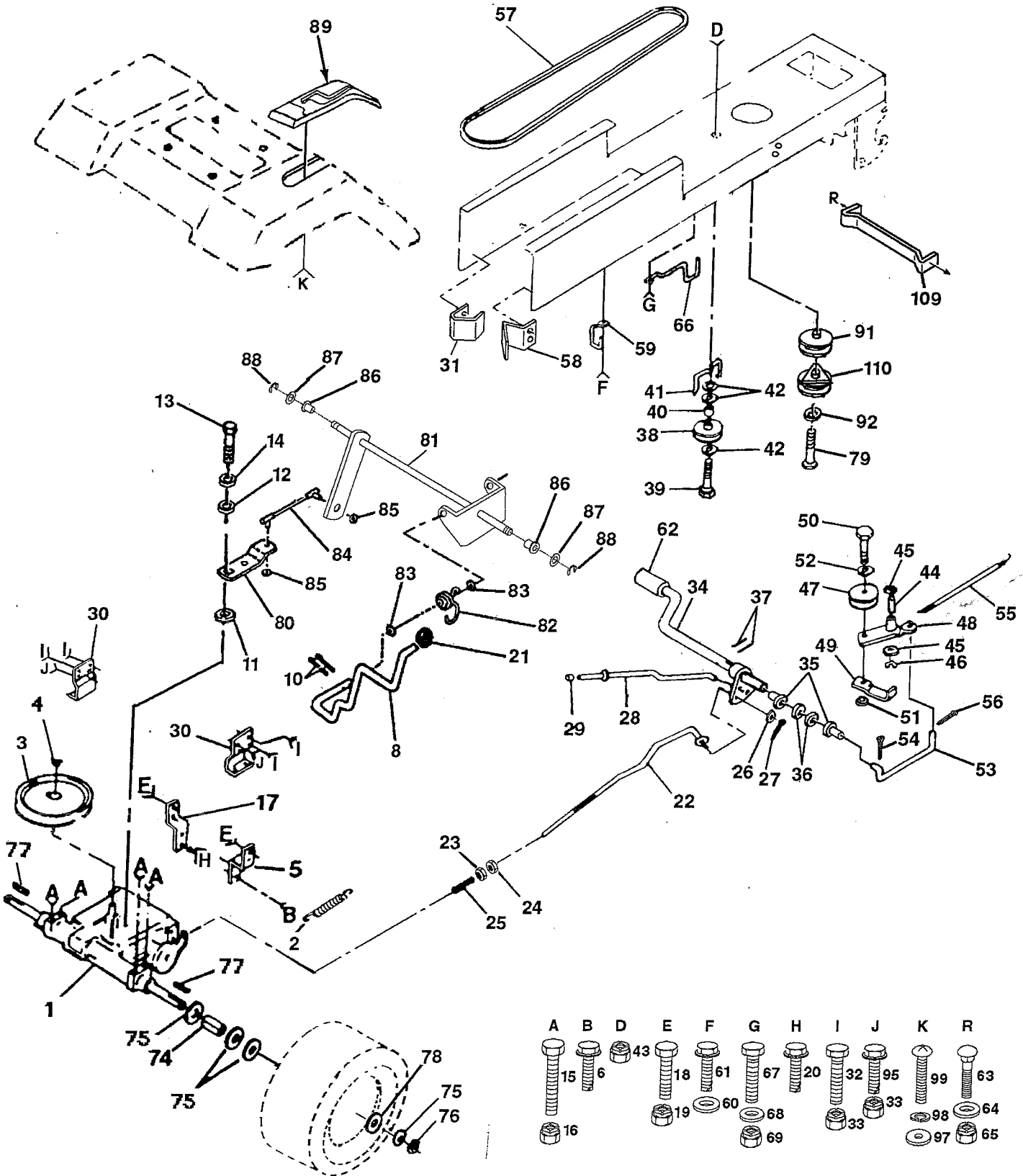
KEY NO.	PART NO.	DESCRIPTION
14	72050411	Bolt, carriage 1/4-20x1-3/8
15	121249X	Spacer, split
16	123740X	Spring, compression
17	123976X	Nut, lock 1/4 Gr. 5
18	74641008	Screw
19	73951000	Nut, keps #10-32 UNF
20	4171R	Clip, insulated
21	105529X	Bolt, shoulder 5/16-18 UNC
22	73680500	Nut
24	19171912	Washer 17/32 X 1-3/16 X 12 ga
25	127018X	Bolt, shoulder 5/16-18 X 62
26	120068X	Knob, Seat
29	124238X	Cap Spring Seat Blk

NOTE: All component dimensions given in U.S. inches - 1 inch = 25.4 mm.

REPAIR PARTS

18 HP 42" TRACTOR -- MODEL NUMBER YF1842A

DRIVE



REPAIR PARTS

18 HP 42" TRACTOR -- MODEL NUMBER YF1842A

DRIVE

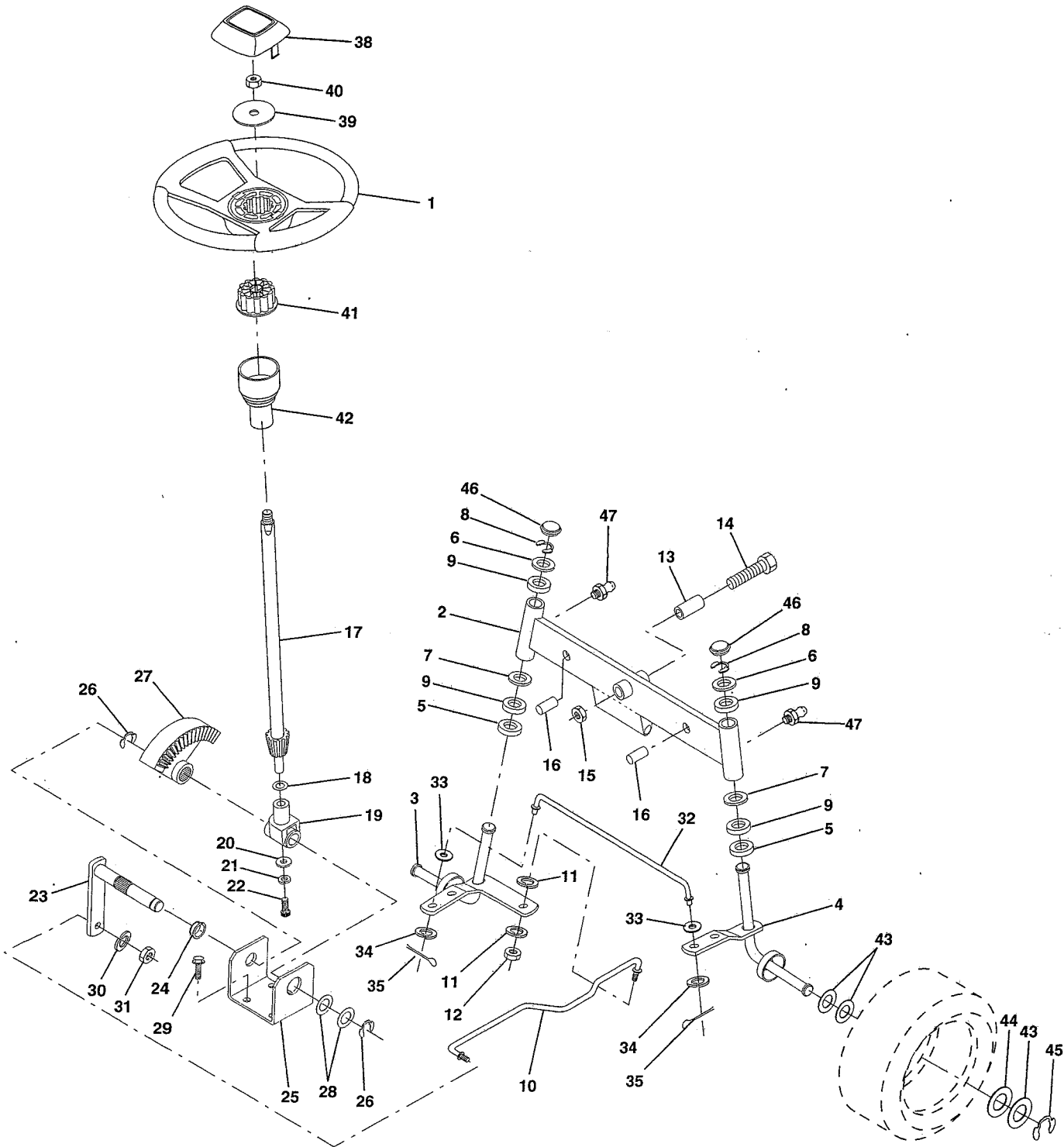
KEY NO.	PART NO.	DESCRIPTION	KEY NO.	PART NO.	DESCRIPTION
1	137369	Transaxle, 6 speed, Dana D4360-54	49	123205X	Retainer Belt Style Spring
2	110422X	Spring brake Return	50	74760624	Bolt Hex 3/8-16 unc x 1-1/2
3	123667X	Pulley, Transaxle	51	73680600	Nut Crownlock 3/8-16 Unc
4	12000028	Ring Retainer	52	19131316	Washer 13/32 x 13/16 x 16 Ga.
5	121520X	Strap Torque 30°	53	105710X	Link Clutch
6	17490512	Screw Thdrol 5/16-18 x 3/4 TYT	54	76020412	Pin Cotter
8	127288X	Plate Rod Shift T/a	55	105709X	Spring Return Clutch
10	76020416	Pin Cotter 1/8 x 1	56	76020412	Pin Cotter
11	105701X	Washer Plate shf 388 Sq Hole	57	131006	V-Belt Ground Drive
12	19151216	Washer 15/32 x 3/4 x 16 Ga.	58	127290	Keeper Belt (RH)
13	71040412	Bolt Hex 1/4-28 un f x 3/4 Gr. 8	59	136715	Keeper Belt Chassis
14	10040400	Washer Lock Hvy Helical 1/4	60	19131312	Washer 13/32 X 13/16 X 12 Ga.
15	74760540	Bolt Hex 5/16-18 x 2-1/2	61	17490612	Screw Thdrol 3/8-16x3/4 Ty-tt
16	73680500	Nut Crownlock 5/16-18	62	8883R	Cover Pedal
17	121520X	Strap Torque 30°	63	72140506	Bolt, Carriage 5/16-18 x 3/4
18	74760612	Bolt Hex 3/8-16unc x 3/4	64	19111012	Washer 11/32 x 5/8 x 12 Ga.
19	73680600	Nut Crownlock 3/8-16 Unc	65	73680500	Nut Crownlock 5/16-18
20	17490512	Screw Thdrol 5/16-18 x 3/4 TYT	66	129921	Keeper Belt (LH)
21	106933X	Knob	67	74760616	Bolt Hex 3/8-16 unc x 1
22	130804	Rod Brake	68	19131312	Washer 13/32 X 13/16 X 12 Ga.
23	73800600	Nut Lock Hex W/washer 3/8-16 unc	69	73680600	Nut Crownlock 3/8-16 Unc
24	73350600	Nut Hex Jam H 3/8-16 Unc	74	109502X	Spacer Split
25	106888X	Spring, Brake Rod	75	121749X	Washer 25/32 X 1 1/4 X 16 Ga.
26	19131316	Washer 13/32 x 13/16 x 16 Ga.	76	12000001	E-ring
27	76020412	Pin Cotter 1/8 x 3/4	77	123583X	Key Square
28	133261	Rod Brake Parking	78	121748X	Washer 25/32 X 1-5/8 X 16 Ga.
29	71673	Cap Brake Parking Black	79	71170768	Bolt, Hex 7/16-20 x 4-1/4 Gr. 5
30	130807	Bracket Transmission	80	131487	Arm, shift lever
31	127289	Keeper Belt LH LT 14 Ga.	81	136933	Shaft
32	74760512	Bolt Hex 5/16-18 x 3/4	82	123782X	Spring
33	73680500	Nut Crownlock 5/16-18	83	19171216	Washer 17/32 X 3/4 X 16 Ga.
34	122424X	Shaft Asm Pedal Foot	84	132183	Tie Rod
35	120183X	Bearing Nylon Blk 629 AD	85	73530400	Nut Nylock 1/4-28
36	19211616	Washer 21/32 x 1 x 16 Ga.	86	71208	Bushing
37	1572H	Pin Roll 3/16 x 1"	87	19212016	Washer 21/32 x 1-1/4 x 16 Ga.
38	123674X	Pulley Idler Flat	88	12000008	Ring Klip #5304-62
39	74760644	Bolt Hex 3/8-16 unc x 2-3/4	89	127287X	Console, Gear Shift
40	4470J	Spacer Split	91	138905	Pulley Engine Clutch Elec
41	109070X	Keeper Belt	92	10040700	Washer Lock Hvy 7/16
42	19131312	Washer 13/32 x 13/16 x 12 Ga.	95	17490612	Screw Thdrol 3/8-16 x 3/4
43	73680600	Nut Crownlock 3/8-16 Unc	97	19060718	Washer 3/16 x 7/16 x 18 Ga.
44	105706X	Bearing Nylon	98	10100800	Washer Lock #8
45	110812X	Washer Hardened	99	74640808	Screw #8 x 1/2
46	12000039	Ring Klip #t5304-50	109	137141	Bracket Asm. Clutch
47	127783	Pulley Idler V-groove Plastic	110	137140	Clutch Elect.
48	123789X	Bellcrank Asm Clutch			

NOTE: All component dimensions given in U.S. inches.
1 inch = 25.4 mm

REPAIR PARTS

18 HP 42" TRACTOR -- MODEL NUMBER YF1842A

STEERING ASSEMBLY



REPAIR PARTS

18 HP 42" TRACTOR - - MODEL NUMBER YF1842A

STEERING ASSEMBLY

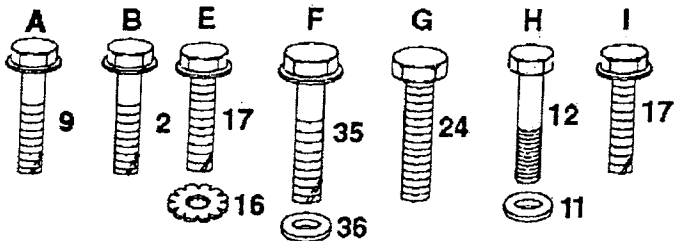
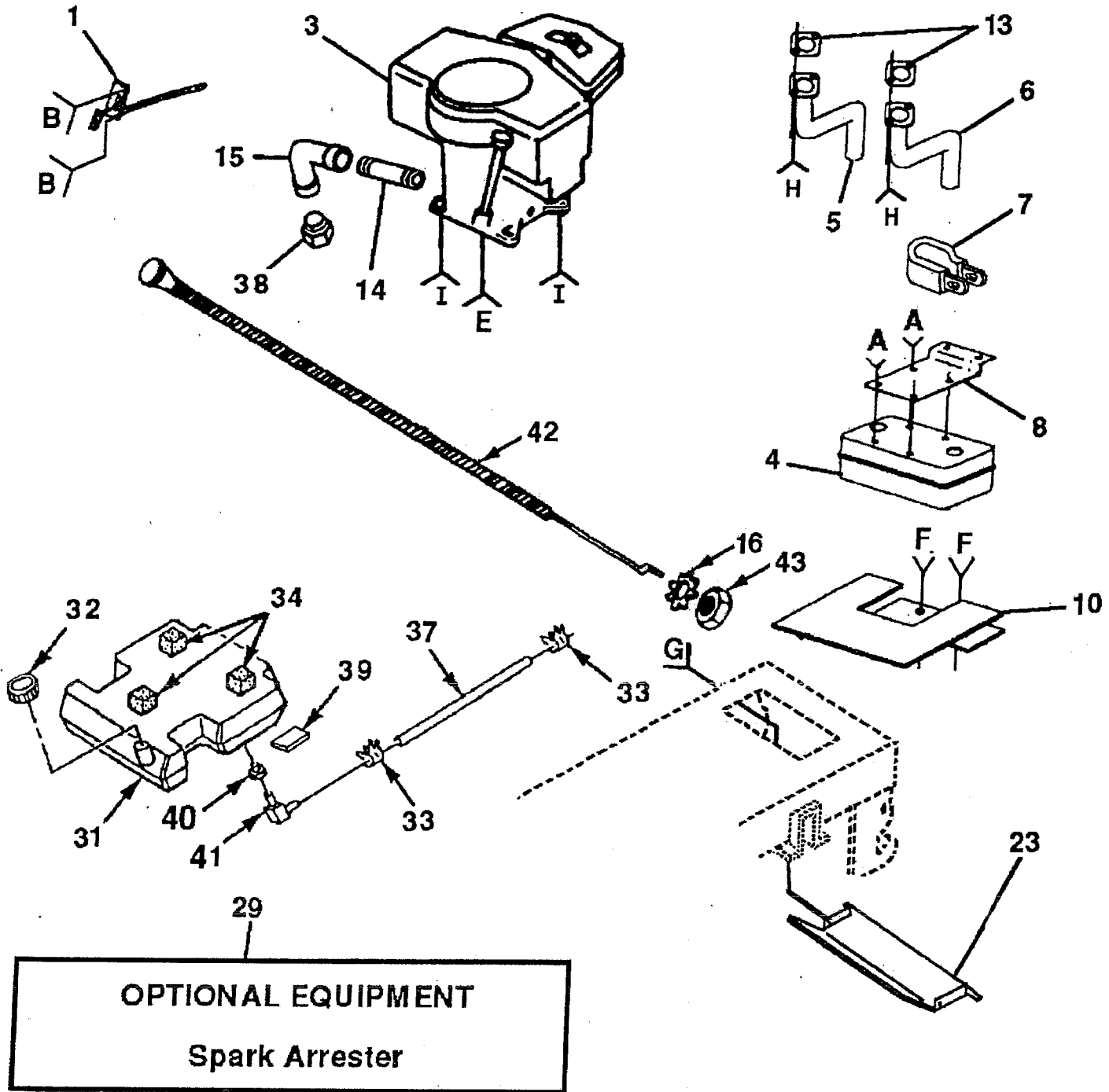
KEY NO.	PART NO.	DESCRIPTION
1	121021X	Steering Wheel
2	133988	Axle Assembly, Front
3	135227	Spindle Assembly, LH
4	135228	Spindle Assembly, RH
5	6266H	Bearing, Race, Thrust, Hardened
6	121748X	Washer 25/32 x 1-5/8 x 16 Gauge
7	19272016	Washer 27/32 x 1-1/4 x 16 Gauge
8	12000029	Ring, Klip
9	3366R	Bearing
10	130468	Link, Drag
11	10040600	Washer, Lock
12	73610600	Nut, Hex, Fin. 3/8-24 UNF
13	110438X	Spacer, Bearing, Front Axle
14	74011056	Bolt, Hex 5/8-11 UNC x 3-1/2
15	73901000	Locknut, Hex, Jam, with Washer Insert 5/8-11 UNC
16	132624	Pin, Axle, Large 5/8 x 1.55/1.54
17	128755	Shaft Assembly, Steering
18	57079	Washer, Thrust .515 x .750 x .033
19	124035X	Support, Shaft
20	126684X	Washer, Shim 1/4 x 5/8 x .062
21	10040400	Washer
22	71070410	Screw, Hex Socket Head 1/4-20 x 5/8
23	127501	Shaft Assembly, Pittman
24	109816X	Nyliner, Snap-In
25	124036X	Bracket, Steering
26	12000029	Ring, Klip
27	136874	Gear, Sector
28	6266H	Bearing, Race, Thrust, Hardened
29	17490612	Screw, Thd., Roll. 3/8-16 x 3/4 Type TT
30	10040600	Washer, Lock
31	73610600	Nut, Hex, Fin. 3/8-24 UNF
32	130467	Tie Rod
33	19111216	Washer 11/32 x 3/4 x 16 Ga.
34	10040500	Washer, Lock Hvy 5/16
35	73810500	Locknut 5/16-24
36	1554J	Bushing, Steering
37	17431008	Screw #10 - 16 x 1/2
38	100710L	Insert, Cap, Steering Wheel
39	100712K	Washer .53 x 2.25 x .160
40	73940800	Nut
41	100711L	Adapter, Steering Wheel
42	110709X	Column, Steering
43	121749X	Washer 25/32 x 1-1/4 x 16 Gauge
44	121748X	Washer 25/32 x 1-5/8 x 16 Gauge
45	12000029	Ring, Klip
46	121232X	Cap, Spindle
47	6855M	Fitting, Grease

NOTE: All component dimensions given in U.S. inches
1 inch = 25.4 mm

REPAIR PARTS

18 HP 42" TRACTOR -- MODEL NUMBER YF1842A

ENGINE



REPAIR PARTS

18 HP 42" TRACTOR -- MODEL NUMBER YF1842A

ENGINE

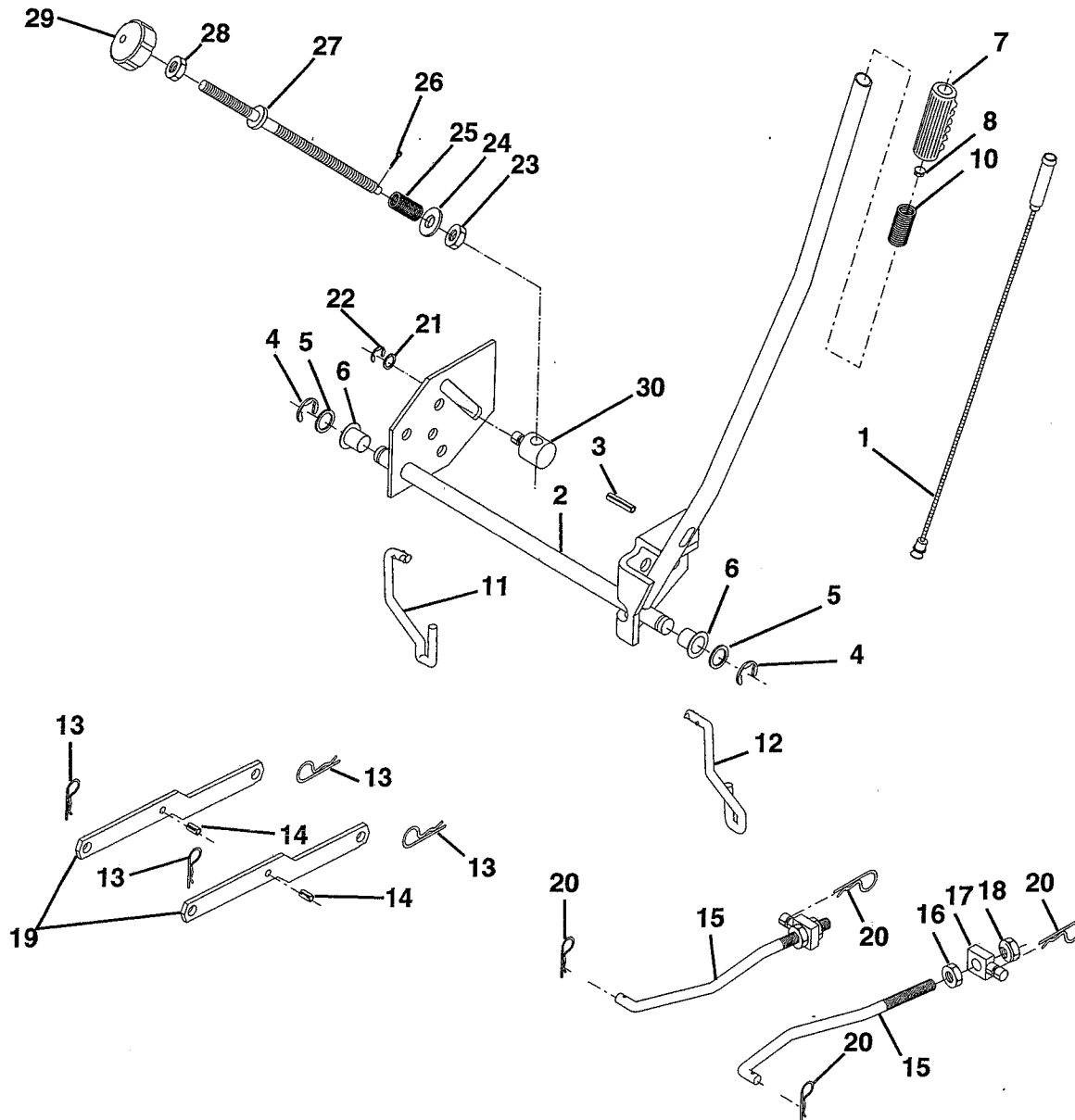
KEY NO.	PART NO.	DESCRIPTION
1	132755	Throttle Control
2	17720410	Screw Self-Tapping 1/4-20 x 5/8
3	-----	Engine B&S 18 HP 422707
4	137978	Muffler
5	136989	Exhaust Asm. Left
6	136988	Exhaust Asm. Right
7	138129	Clamp Tube Double Engine
8	122439X	Bracket Muffler Mounting
9	17190408	Screw Hex Wht Thdcut 1/4-20
10	128199	Heat Shield
11	10040400	Washer Lock Hvy 1/4
12	74780412	Bolt Fin Hex 1/4-20 x 3/4
13	8545J	Gasket Muffler
16	11050600	Washer Lock External Tooth 3/8
17	17490624	Screw Thdrol 3/8-16 x 1-1/2
23	128953	Shield Heating Browning
24	17021008	Screw Tap Hex #10-24 X 1/2
29	132922	Spark Arrestor Kit
30	105037X	Strip Foam
31	127334X	Tank Fuel
32	123549X	Cap Asm. Fuel
33	123487X	Clamp Hose
34	106082X	Pad Spacer
35	17490512	Screw Thdrol 5/16-18 x 3/4
36	19131614	Washer 13/32 x 1 x 14 Ga.
37	5277J	Line Fuel
38	-----	Oil Drain Plug (Order from Engine Manufacturer)
39	109227X	Pad Idler
40	3645J	Bushing
41	137227	Stem Fuel Tank
42	132779	Control Choke
43	73610600	Nut Fin Hex 3/8-24

NOTE: All component dimensions given in U.S. inches.
1 inch = 25.4 mm

REPAIR PARTS

18 HP 42" TRACTOR -- MODEL NUMBER YF1842A

LIFT



KEY PART NO.

KEY NO.	PART NO.	DESCRIPTION
1	136971	Wire Asm Inner w/Plunger
2	136968	Shaft Asm Lift
3	138284	Pin Groove
4	12000002	E Ring #5133-62
5	19211416	Washer 21/32 x 7/8 x 16 Ga.
6	120183X	Bearing Nylon
7	109413X	Grip Handle Bicycle Matte
8	124526X	Button Plunger Black
10	122512X	Spring Cprsn
11	134619	Link Lift Lh Fixed Length
12	135388	Link Lift Rh Fixed Length
13	4939M	Retainer Spring
14	135563	Pin Roll Slit 5/16 x 1.25
15	127218	Link Front
16	73350800	Nut Jam Hex 1/2 - 13 Unc

KEY PART NO.

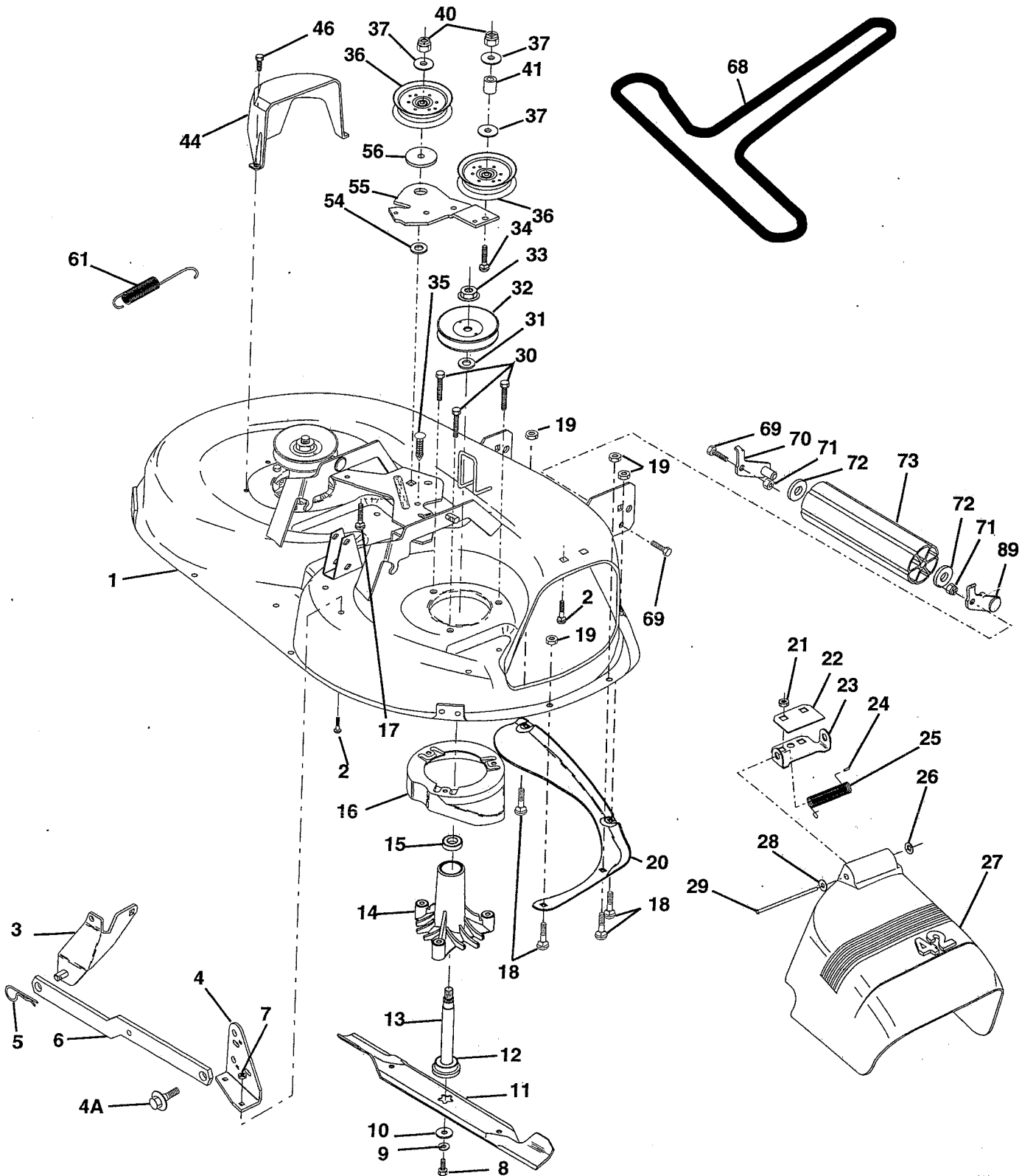
KEY NO.	PART NO.	DESCRIPTION
17	130171	Trunnion Blk Zinc
18	73800800	Nut Lock w/Wsh 1/2 - 13 Unc
19	130832	Arm Suspension Rear
20	3146R	Retainer Spring
21	19151216	Washer 15/32 x 3/4 x 16 Ga.
22	12000037	Ring Klip #T5304-37
23	110807X	Nut Special
24	19131016	Washer 13/32 x 5/8 x 16 Ga.
25	2876H	Spring 2-1/8"
26	76020308	Pin Cotter 3/32 x 1/2
27	110729X	Rod Adjust Lift
28	73350600	Nut Hex Jam 3/8 - 16 Unc
29	138057	Knob Infinite 3/8 - 16 Unc Black w/ Sym
30	110810X	Trunnion Dp Stop Dbl Thds Plt

NOTE: All component dimensions given in U.S. inches
1 inch = 25.4 mm

REPAIR PARTS

18 HP 42" TRACTOR - - MODEL NUMBER YF1842A

MOWER



REPAIR PARTS

18 HP 42" TRACTOR -- MODEL NUMBER YF1842A

MOWER

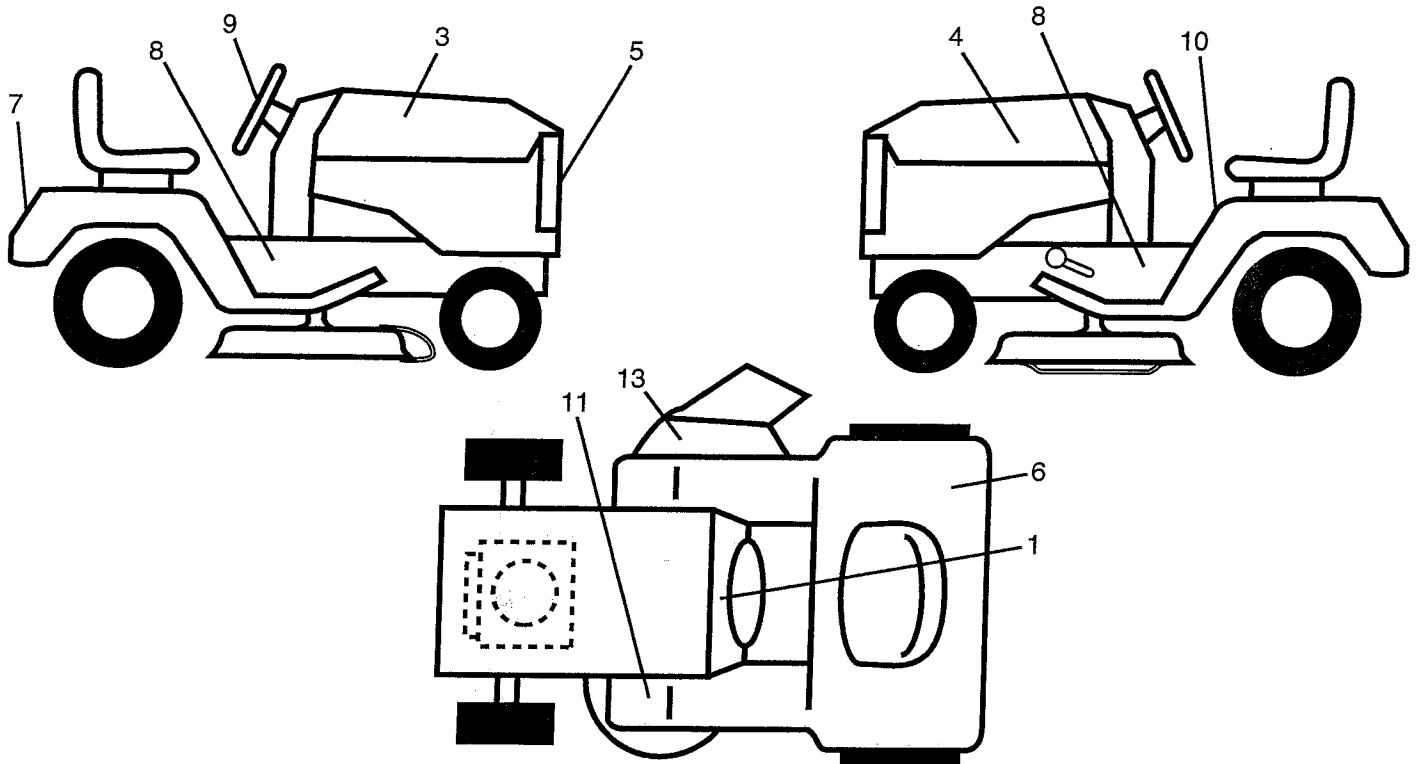
KEY NO.	PART NO.	DESCRIPTION
1	138024	Mower Housing
2	72140506	Bolt Rdhd Sqnk 5/16-18unc X3/4
3	138017	Bracket Asm Fr Sway Bar 38/42
4	138440	Bracket Asm Deck 42"sway Bar
4a	132827	Bolt Shoulder
5	4939M	Retainer Spring
6	130832	Arm Suspension Rear
7	73800500	Locknut-hex W/ins 5/16-18unc P
8	850857	Bolt 3/8-24x1 25 Gr8 Patched
9	10030600	Washer Lock Hvy 3/8 Unplated
10	129962	Washer Hard Blade Mower Vented
11	138498	Blade Mower High Perf 42"
12	129895	Bearing Ball #6204 (Mandrel)
13	137645	Shaft Asm W/lower Bearing
14	128774	Housing Mandrel Vented(machd)
15	110485X	Bearing Ball Mandrel
16	136929	Stripper Mower Vented
17	72110616	Bolt Rdhd Sqnk 3/8-16 X 2
18	72140505	Bolt Rdhd Sqnk 5/16-18 X 5/8
19	73800500	Locknut-hex W/ins 5/16-18unc P
20	136888	Baffle Vortex 42
21	73680500	Nut Crown Lock 5/16-18
22	134753	Stiffener Bracket 42"deck
23	131267	Bracket Deflector Mower 42"
24	105304X	Cap Sleeve 80x 112 Blk Mower
25	123713X	Spring Torsion Deflector 2 52
26	110452X	Nut Push Phos & Oil
27	130968	Shield Deflector Mower 42" Blk
28	19111016	Washer 11/32 X 5/8 X 16 Ga
29	131491	Rod Hinge 42"6 75 Wlg
30	78158	Bolt 5/16-18 X 1 25 T/t
31	129963	Washer Spacer Mower Vented
32	129861	Pulley Mandrel 42"
33	137266	Nut 9/16top Lock Flng Oil Dip
34	72110622	Bolt Rdhd 3/8-16uncx2-3/4 Gr5
35	133835	Fastner Christmas Tree
36	131494	Pulley Idler Flat 3 060
37	19131316	Washer 13/32 X 13/16 X 16 Ga
40	73680600	Nut Crownlock 3/8-16 Unc
41	132823	Spacer Spring
44	134236	Guard Mandrel LH Black
46	137729	Screw Hex Thd Cut 1/4-20x5/8 T
54	133943	Washer Hardened
55	133844	Arm Idler 42" mower LT/YT
56	122052X	Spacer Retainer Pm Mower
61	131950	Spring Return
68	130969	V-Belt Mower 42" 92 40
69	74760616	Bolt Fin Hex 3/8-16unc X 1
70	132274	Bracket Asm Noseroller LH
71	73680600	Nut Crownlock 3/8-16 Unc
72	19171416	Washer 17/32 X 7/8 X 16 Ga
73	132264	Roller Nose 38 & 42
89	132273	Bracket Asm Noseroller RH
--	138506	Deck Service 42" Mech Vent (Std. Deck-Order Nose Roller parts seperately Key Nos. 69-73 and 89)
--	130794	Mandrel Asm Service (Includes Key Nos. 8-10, 12-15, 31 and 33)

NOTE: All component dimensions given in U.S. inches -
1 inch = 25.4 mm.

REPAIR PARTS

18 HP 42" TRACTOR -- MODEL NUMBER YF1842A

DECALS



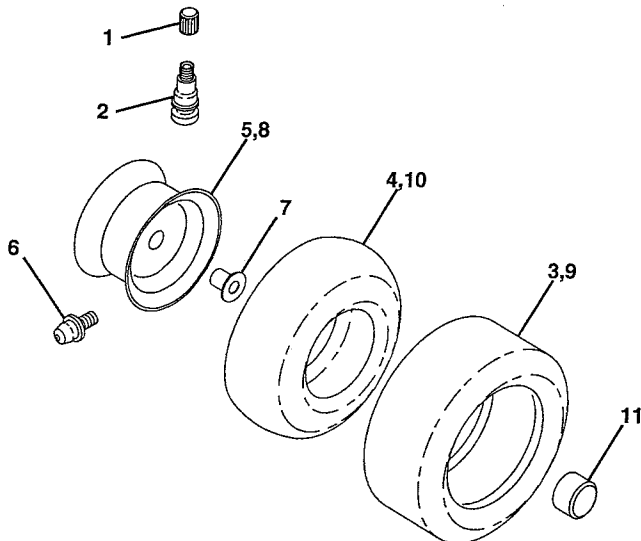
KEY NO.	PART NO.	DESCRIPTION
1	136795	Decal, Operation instructions (Eng/Fr)
3	137939	Decal, Logo, Hood (right)
4	137940	Decal, Logo, Hood (left)
5	137930	Decal, Logo, Grille
6	125690X	Decal, 100 Db
7	137971	Decal, Logo, Fender
8	131425	Decal, 6 sp 38", Chassis
9	137941	Decal, Steering wheel cap
10	133795	Decal, Caution (Eng/Fr)
11	101892X	Decal, Clutch/brake (Eng/Fr)

KEY NO.	PART NO.	DESCRIPTION
13	137259	Decal, Warning (Multi-Language)
--	138311	Decal, Lift Handle
--	137372	Manual, Operator's (Eng/Fr)
--	138472	Manual, Repair Parts (Eng/Fr)

Available accessories not included with mower:

--	C42	42" Grass catcher
--	SB20	40" Snow thrower
--	BD20	42" Snow blower
--	LC05	33 lb. Wheel Wts.
--	LC06	Tire Chains (20 x 10 x 8)

WHEELS & TIRES



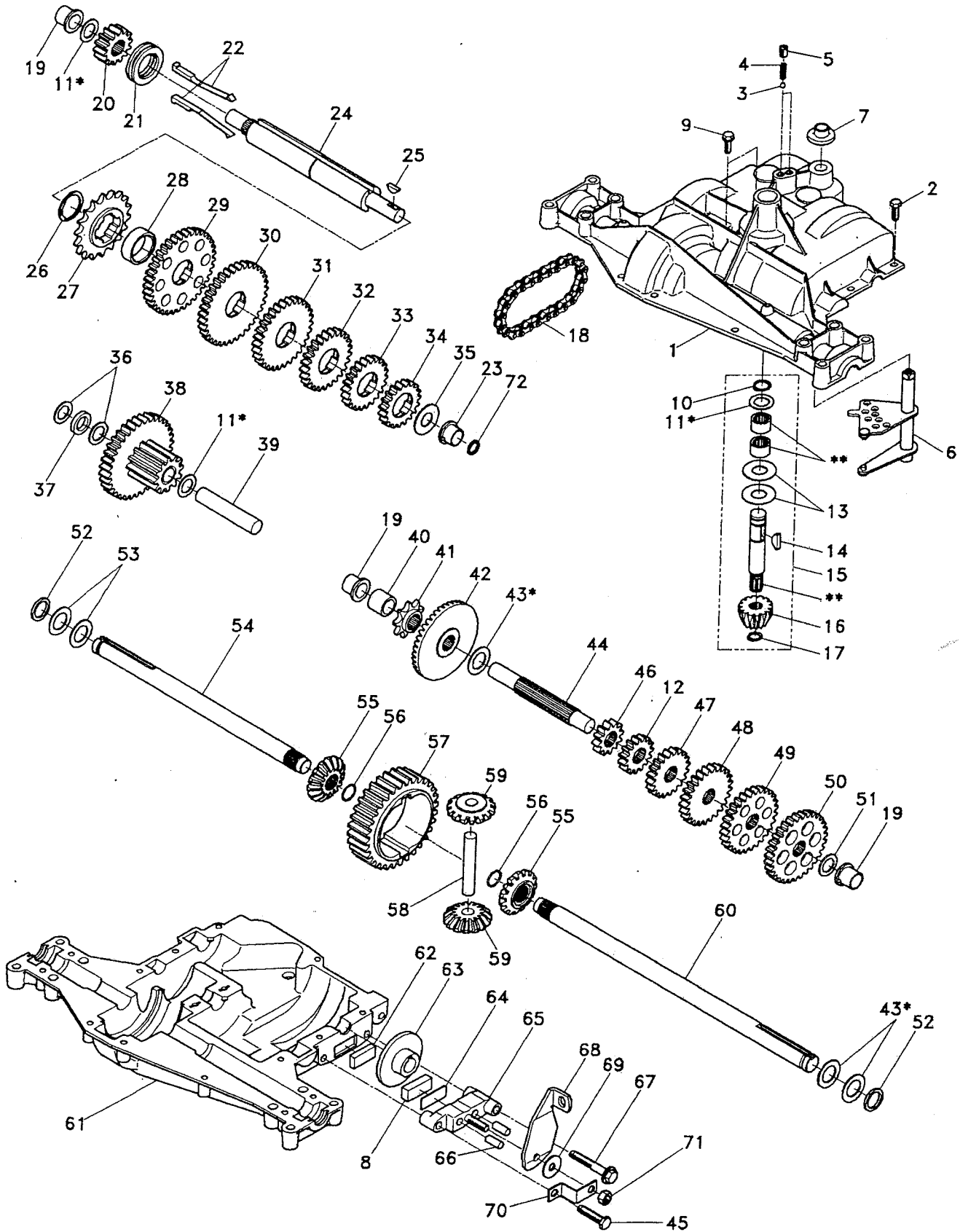
KEY NO.	PART NO.	DESCRIPTION
1	59192	Cap, Tire valve
2	65139	Stem, Valve
3	106222X	Tire, Front
4	59904	Tube, Front (Service item only)
5	106732X311	Rim assembly, 6" front
6	278H	Fitting, Grease (Front wheel only)
7	9040H	Bearing, Flange (Front wheel only)
8	106108X311	Rim assembly, 8" rear
9	122082X	Tire, Rear
10	7152J	Tube, Rear (Service item only)
11	104757X	Cap, Axle

NOTE: All component dimensions given in U.S. inches.
1 inch = 25.4 mm.

REPAIR PARTS

18 HP 42" TRACTOR - - MODEL NUMBER YF1842A

TRANSAXLE DANA - - MODEL NO. 4360-54



REPAIR PARTS

18 HP 42" TRACTOR - - MODEL NUMBER YF1842A

TRANSAXLE DANA - - MODEL NO. 4360-54

KEY PART NO. NO.	DESCRIPTION	KEY PART NO. NO.	DESCRIPTION
1 138248	Housing, Upper	41 105928X	Sprocket, 9 Teeth
2 2274J	Screw, Self-Tapping, Large 1/4-20 x .734	42 106605X	Gear, Bevel, 42 Teeth
3 134400	Ball, Detent	43 134394	* Assembly, Kit, Shim .750 Shaft
4 105904X	Spring, Detent	44 120473X	Shaft, Drive
5 105905X	Screw, Set	45 106596X	Screw, Self-Tapping, Large 5/16-18 X 1.44 Lg.
6 134788	Kit, Shifter Assembly	46 105933X	Gear, Spur, 12 Teeth
7 134399	Boot, Shifter	47 120407X	Gear, Spur, 20 Teeth
8 120951X	Puck, Friction	48 106589X	Gear, Spur, 25 Teeth
9 134791	Screw, Self-Tapping, with Sealer	49 120408X	Gear, Spur, 28 Teeth
10 2267J	Ring, Retaining	50 105937X	Gear, Spur, 31 Teeth
11 134793	* Assembly, Kit, Shim .625 Shaft	51 2226J	Washer, Plain .632 x 1.00 x .060
12 106151X	Gear, Spur, 15 Teeth	52 134401	Washer, Neoprene
13 120415X	Washer, Plain .632 x 1.38 x .046	53 2264J	Washer, Plain .758 x 1.25 x .031
14 2257J	Key, Woodruff, #9	54 120474X	Axle, L.H.
15 106846X	Assembly, Kit, Input Shaft	55 120409X	Gear, Miter, 15 Teeth
16 106095X	Pinion, Bevel, 14 Teeth	56 105941X	Ring, Retaining
17 105909X	Ring, Retaining	57 110071X	Gear, Spur, 32 Teeth
18 105910X	Chain, 24 Pitches	58 120952X	Shaft, Cross
19 105911X	Bearing, Flange	59 106592X	Gear, Miter, 15 Teeth
20 138242	Gear, Spur, 14 Teeth	60 120475X	Axle, R.H.
21 138246	Collar, Clutch	61 138247	Housing, Lower
22 138237	Assembly, Kit, Clutch Keys	62 120961X	Puck, Friction
23 138240	Bearing, Flange	63 7294J	Disc, Brake
24 138243	Shaft, Intermediate	64 108989X	Spacer
25 2244J	Key, Woodruff, #61	65 120953X	Jaw, Brake
26 105916X	Ring, Retaining	66 120954X	Pin, Dowel
27 120470X	Sprocket, 18 Teeth	67 134799	Screw, Self-Tapping, Large 5/16-18 X 2.25
28 110070X	Spacer	68 138244	Lever, Actuating
29 108977X	Gear, Spur, 37 Teeth	69 108996X	Washer, Plain .321 x 1.00 x .055
30 109254X	Gear, Spur, 35 Teeth	70 120956X	Bracket, Anti-Rotation
31 124644X	Gear, Spur, 30 Teeth	71 73810500	Locknut 5/16-24
32 108980X	Gear, Spur, 25 Teeth	72 138241	Square Ring
33 120406X	Gear, Spur, 22 Teeth	73 120416X	Grease
34 134796	Gear, Spur, 19 Teeth		
35 105925X	Washer, Plain .640 x 1.37 x .061		
36 2232J	Washer, Plain .632 x 1.00 x .026		
37 108978X	Spacer .630 x 1.00 x .169		
38 110079X	Assembly, Gear, Combination of 12 Teeth and 35 Teeth		
39 124639X	Shaft, Idler		
40 120472X	Spacer .633 x .87 x .755		

* Use in combinations to maintain proper clearances

** Order Key No. 15

NOTE: All component dimensions given in U.S. inches
1 inch = 25.4 mm