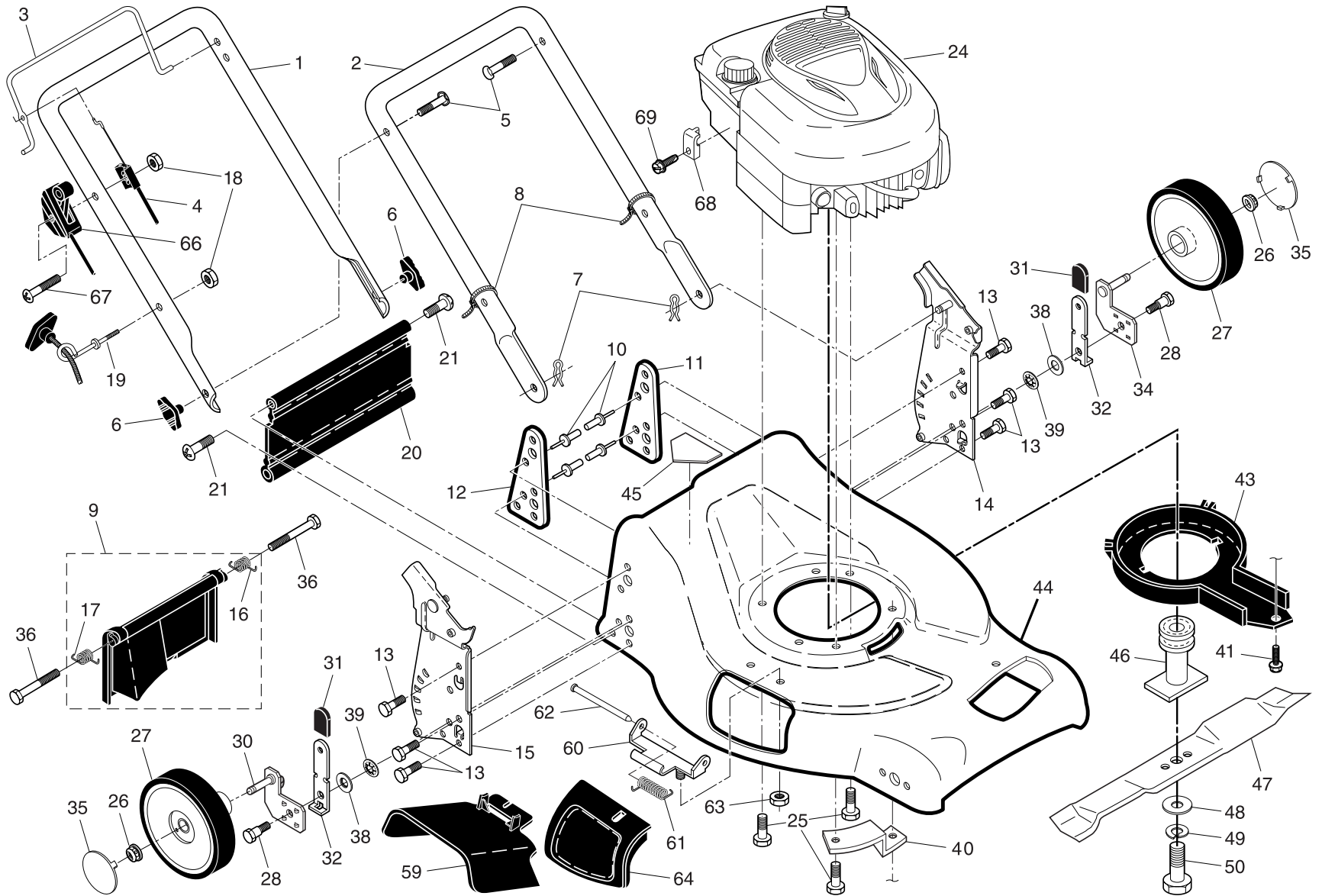


ROTARY LAWN MOWER - - MODEL NUMBER PR65Y21CE

2



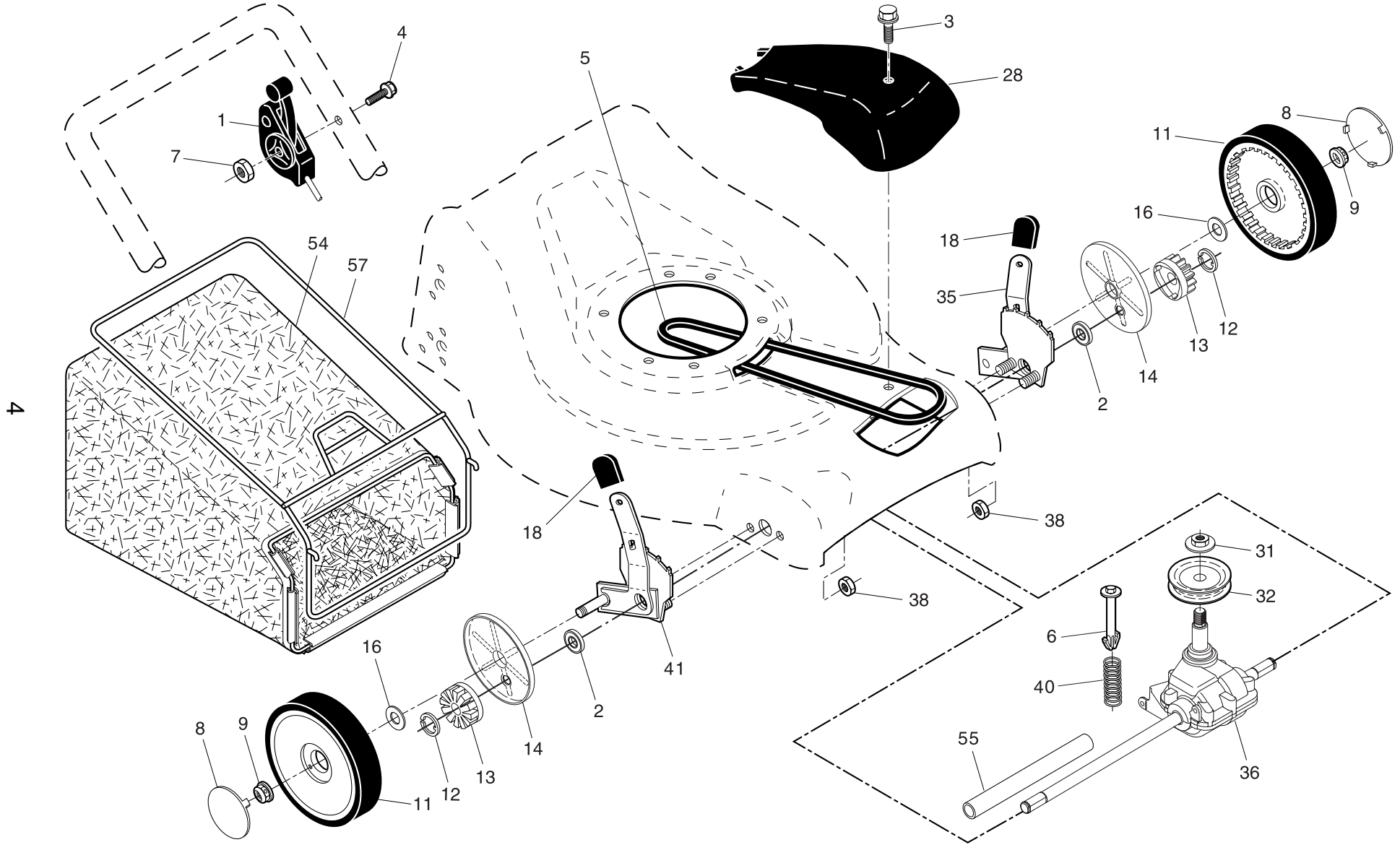
ROTARY LAWN MOWER - - MODEL NUMBER PR65Y21CE

KEY NO.	PART NO.	DESCRIPTION
1	183496X479	Upper Handle
2	151721X479	Lower Handle
3	146771	Control Bar
4	133107	Engine Zone Control Cable
5	191574	Handle Bolt
6	189713X428	Handle Knob
7	51793	Hairpin Cotter
8	66426	Wire Tie
9	180479	Kit, Rear Door (Includes Key Numbers 16 and 17)
10	128415	Pop Rivet
11	175069X479	Support Bracket, LH
12	175070X479	Support Bracket, RH
13	17060410	Screw, Tapping 1/4-20 x 5/8
14	175082X479	Handle Bracket Assembly, LH
15	175081X479	Handle Bracket Assembly, RH
16	180071	Spring, Rear Door, LH
17	180072	Spring, Rear Door, RH
18	132004	Nut, Hex 1/4-20
19	179585	Rope Guide
20	189005	Rear Skirt
21	88652	Hinge Screw 1/4-20 x 1-1/4
24	- - -	Engine, Briggs & Stratton, Model Number 123K02 (For engine service and replacement parts, call Briggs & Stratton at 1-800-233-3723)
25	150406	Hex Head Thread Rolling Screw 3/8-16 x 1-1/8
26	83923	Hex Flange Nut
27	180406	Wheel & Tire Assembly
28	189312	Shoulder Bolt 5/16-18 x 1-21/64
30	186575X004	Axle Arm Assembly, Rear, RH
31	170143	Selector Knob
32	175060X004	Selector Spring
34	186576X004	Axle Arm Assembly, Rear, LH

KEY NO.	PART NO.	DESCRIPTION
35	77400	Hubcap
36	184193	Bolt, Rear Door
38	176185	Washer, Step 11/32 x 1-3/8 x 7/32
39	176235	Push Nut
40	188839X004	Mounting Bracket, Debris Shield
41	192325	Screw, Debris Shield
43	188784	Debris Shield
44	176710	Kit, Lawn Mower Housing (Includes Key Numbers 11, 12 and 45)
45	107339X	Danger Decal
46	189179	Blade Adapter / Pulley
47	189028	Blade, 21"
48	851074	Hardened Washer
49	850263	Helical Washer
50	851084	Hex Head Machine Screw, Grade 8, 3/8-24 x 1-3/8
59	175071	Discharge Deflector
60	175735	Hinge Bracket
61	175285	Spring
62	175650	Rod, Hinge
63	73800400	Keys Locknut 1/4-20
64	175066	Mulcher Door
66	170294	Throttle Control
67	183365	Screw, Hex Head 1/4-20 x 2-11/64
68	111190X	Clamp, Cable
69	83816	Screw #10 x 5/8
--	162300	Warning Decal (not shown)
--	193733	Operator's Manual, English
--	193736	Operator's Manual, French
--	193742	Replacement Parts Manual, English / French

NOTE: All component dimensions given in U.S. inches.
1 inch = 25.4 mm

ROTARY LAWN MOWER - - MODEL NUMBER PR65Y21CE



ROTARY LAWN MOWER - - MODEL NUMBER PR65Y21CE

5

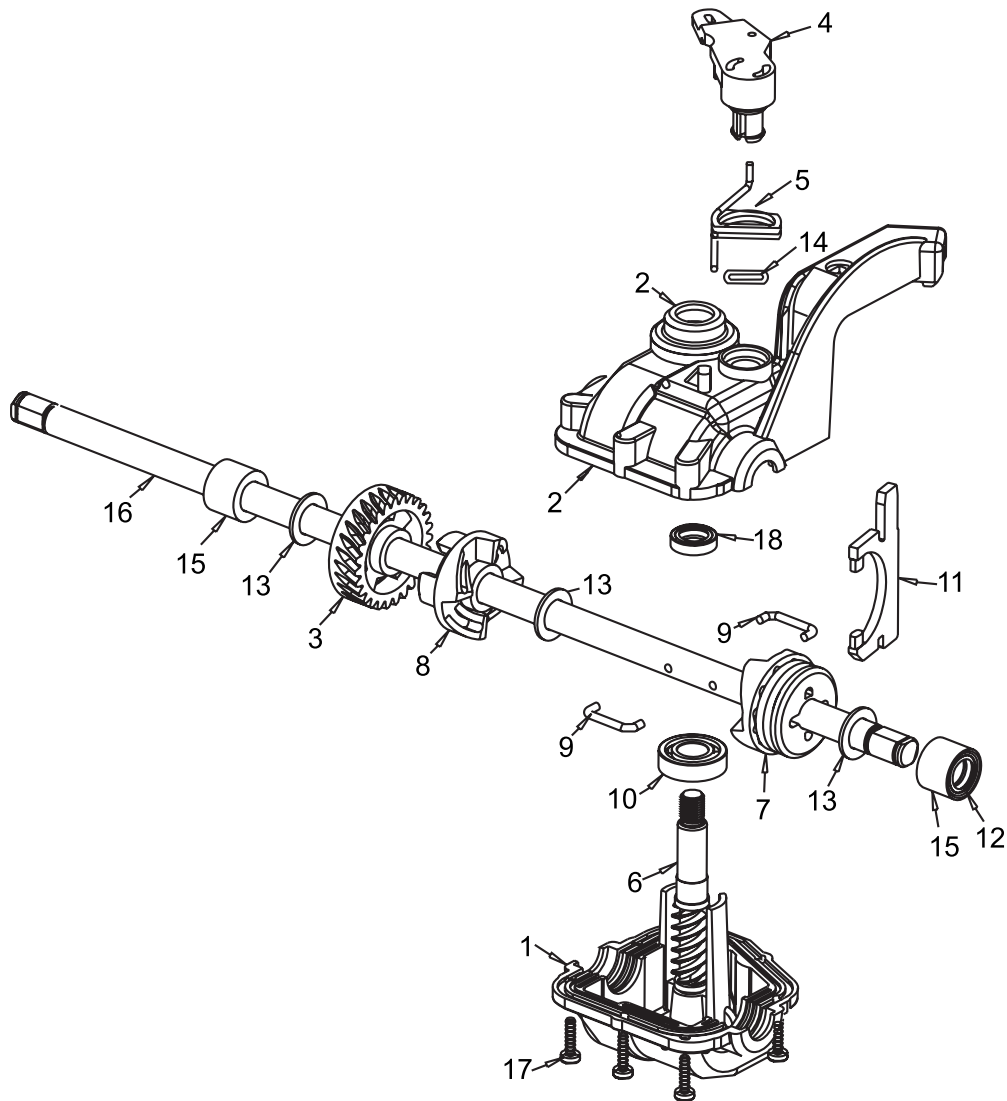
KEY NO.	PART NO.	DESCRIPTION
1	184587	Control Cable Assembly
2	88058	Bearing, Wheel Adjuster
3	175262	Pan Head Tapping Screw #10-24 x 2-3/4
4	158755	Hex Washer Head Screw 1/4-20 x 2.12
5	175436	V-Belt
6	150495	Spring Retainer
7	191730	Locknut, Hex #10-24
8	77400	Hubcap
9	145212	Nut, Flangelock, Special Thread
11	180766	Wheel & Tire Assembly
12	12000058	E-Ring
13	137054	Pinion
14	189403	Dust Cover
16	67725	Washer 1/2 x 1-1/2 x .134
18	170143	Selector Knob

KEY NO.	PART NO.	DESCRIPTION
28	181466	Dive Cover
31	132010	Nut, Hex, Flanged, Zinc Plated 3/8-16
32	189407	Drive Pulley
35	172291	Kit, Wheel Adjuster, LH (Includes Knob and Bearing)
36	180184	Gear Case Assembly (See Breakdown)
38	73800400	Locknut, Hex 1/4-20
40	137090	Spring
41	172290	Kit, Wheel Adjuster, RH (Includes Knob and Bearing)
54	188985	Grassbag
55	175739	Driveshaft Cover
57	188815	Frame, Grassbag

NOTE: All component dimensions given in U.S. inches.
1 inch = 25.4 mm

**ROTARY LAWN MOWER - - MODEL NUMBER PR65Y21CE
GEARCASE ASSEMBLY - - PART NUMBER 180184**

**TONDEUSE À GAZON ROTATIVE - - NUMÉRO DE MODÈLE PR65Y21CE
ENSEMBLE DE LA BOÎTE DE VITESSE - NUMÉRO DE PIÈCE 180184**



**KEY PART
NO. NO.**

NO.	NO.	DESCRIPTION
1	183497	Case, Lower
2	183498	Case, Upper
3	183499	Gear, 27 Teeth
4	183500	Lever, Clutch
5	183501	Spring, Return
6	183502	Shaft, Input
7	183503	Dog, Movable
8	183504	Dog, Fixed
9	183505	Wire, Formed
10	183506	Bearing, Ball
11	183507	Fork, Shift
12	183508	Seal, Output Shaft
13	183509	Washer
14	183510	Seal, Case
15	183511	Bushing
16	183512	Shaft, Output
17	183513	Screw
18	183514	Seal, Input Shaft
--	183404	Kit, Gearcase Replacement (Includes Instructions)

NOTE: Use Dow Corning #709
to reseal Gear Case Halves.

DESCRIPTION

Boîte, Inférieur
Boîte, Supérieur
Engrenage, 27 Dents
Levier d'embrayage
Ressort de Rappel
Arbre d'entrée
Griffe, Amovible
Griffe, Fixe
Fil à Pince
Palier
Fourchette de Changement de Vitesse
Sceau, Arbre de Sortie
Rondelle
Sceau, Boîte
Douille
Arbre de Sortie
Vis
Sceau, Arbre d'entrée
Jeu, Remplacer, Boîte de Vitesse (Y compris le instructions)

REMARQUE: Utilizer Dow Corning #709
pour Sceau les Boîtes.