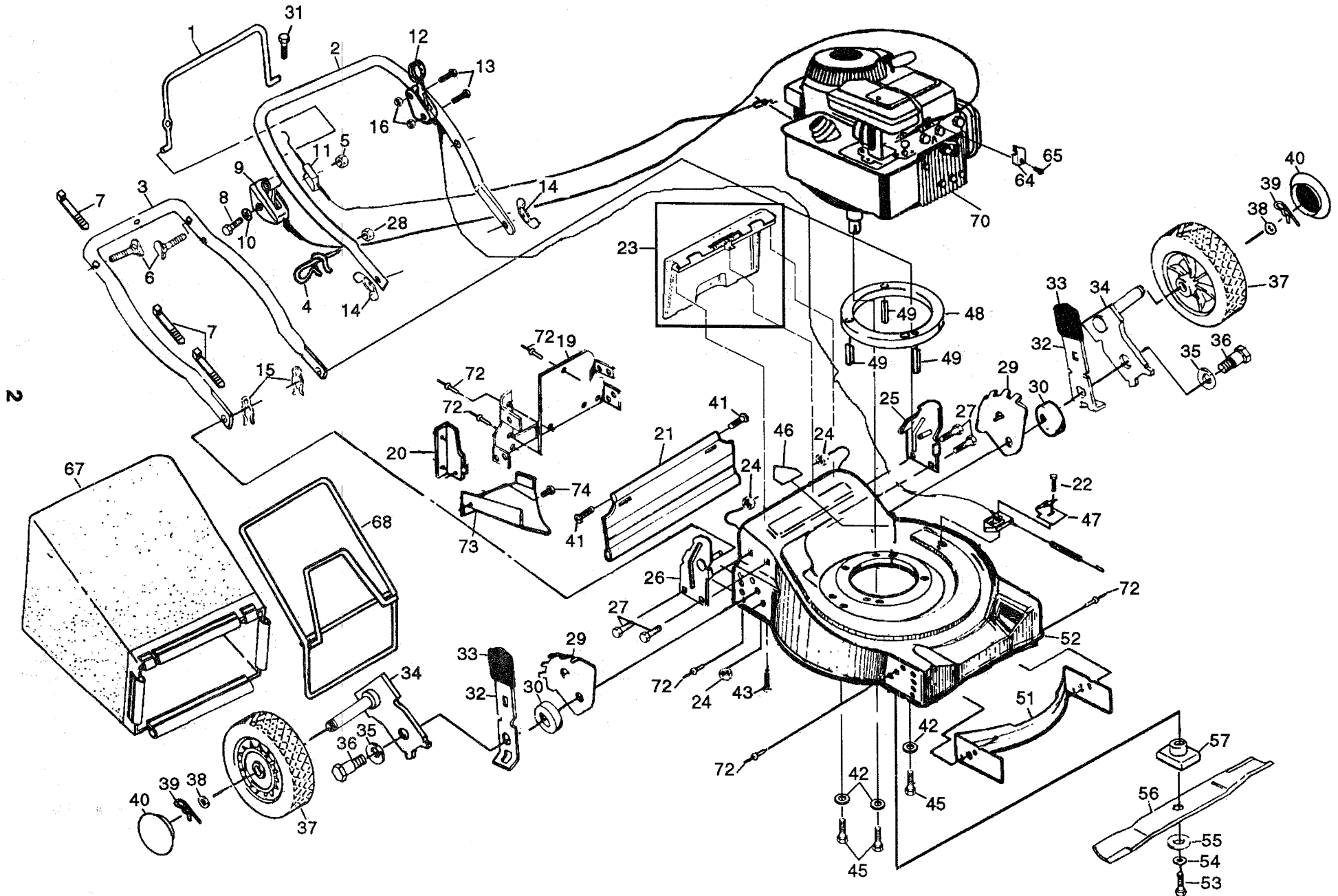


REPAIR PARTS

20" REAR BAGGER ROTARY MOWER MODEL NO. BP202ZB



REPAIR PARTS

20" REAR BAGGER ROTARY MOWER MODEL NO. BP202ZB

KEY NO.	PART NO.	DESCRIPTION	KEY NO.	PART NO.	DESCRIPTION
1	132570	Control Bar	36	84921	Shoulder Bolt 3/8-16
2	132670X479	Upper Handle	37	850957	Wheel & Tire Assembly
3	134081X479	Lower Handle	38	52160	Washer
4	132001	Rope Guide	39	85179	Retainer Clip
5	63601	Locknut 1/4-20	40	77400	Hubcap
6	131959	Handle Bolt	41	88652	Hinge Screw
7	66426	Cable Tie	42	53998	Flat Washer
8	86055	Machine Screw 1/4-20 x 2.25	43	54583	Hex Tapping Screw 1/4-20 x 1/2
9	700654	Throttle Control	45	850999	Hex Head Thread Rolling Screw 3/8-16 x 1
10	85723	Washer	46	107339X	Danger Decal
11	130861	Engine Zone Control Cable	47	88615	Bracket Cover
12	700401	Drive Control	48	850988	Engine Spacer
13	750029	Pan Head Machine Screw #10-24 x 2	49	850987	Engine Bushing
14	128638	Wing Nut	51	132198X479	Front Baffle
15	51793	Hairpin Cotter	52	701446	Housing Assembly (Incl. Ref. #46)
16	69180	Locknut, #10-24	53	851084	Hex Head Bolt 3/8-24 x 1-3/8 Grd. 8
19	700356X479	Back Plate	54	850263	Helical Lock Washer
20	700363X479	Side Baffle	55	851074	Hardened Washer
21	133259	Rear Skirt	56	850972	20" Blade
22	85768	Self-Tapping Screw #10-24 x 3/4	57	851514	Blade Adapter
23	48257	Rear Door Assembly Kit	64	213146	* Cable Clamp
24	751592	Locknut 3/8-16	65	83816	Screw #10 x 5/8
25	700913X505	Handle Bracket Assembly (Left)	67	135200	Grass Bag
26	700915X505	Handle Bracket Assembly (Right)	68	133413	Catcher Frame
27	55187	Screw 5/16-18 x 3/4	70	-----	* Engine - Briggs/Stratton Model No. 122785
28	73510400	Locknut 1/4-20	72	128415	Pop Rivet
29	700325X007	Wheel Adjusting Bracket	73	133188X479	Discharge Baffle
30	84920	Spacer	74	86344	Screw Hehd Self Tap 10-24 X .50
31	851552	Self-Tapping Screw #10-24 x 5/8	--	700480	Operator's Manual (English)
32	700331X004	Selector Spring	--	701435	Operator's Manual (French)
33	87877	Selector Knob	--	702795	Replacement Parts Manual
34	85021X004	Axle Arm Assembly			
35	62335	Belleville Washer			

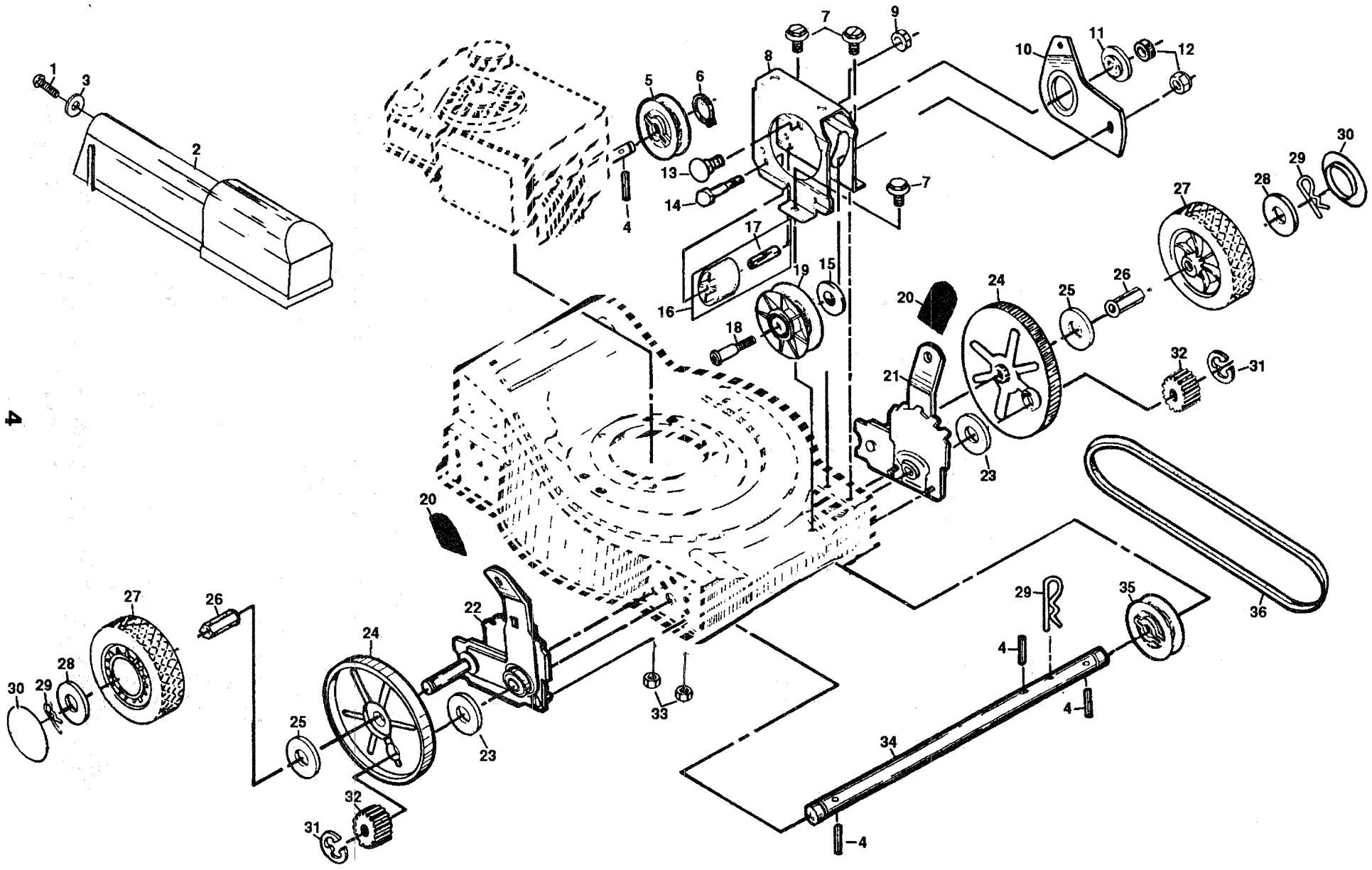
Available accessories not included with lawn mower:

- MA36 Chute Deflector
- MK20FRD Mulcher Kit

*These parts must be purchased through an authorized Briggs and Stratton dealer.

REPAIR PARTS

20" REAR BAGGER ROTARY LAWN MOWER - - MODEL NO. BP202ZB



20" REAR BAGGER ROTARY LAWN MOWER -- MODEL NO. BP202ZB

KEY NO.	PART NO.	DESCRIPTION
1	750097	Hex Washer Head Screw #10-24 x 1/2
2	111925X	Drive Cover
3	4802	Washer
4	851980	Drive Pawl
5	88043	Drive Pulley
6	12000030	Retaining Ring
7	54583	Screw 1/4-20 x 1/2
8	851947X004	Clutch Frame
9	50962	Locknut 1/4-20
10	702631X004	Clutch Lever
11	88067	Clutch Lever Spacer
12	750253	Locknut 5/16-18
13	72070504	Carriage Bolt 5/16-18 x 1/2
14	74350424	Hex Head Screw 1/4-20 x 1-1/2
15	88069	Spacer
16	48160	Idler Assembly (Includes Key No. 17)
17	88576	Idler Spacer
18	88517	Shoulder Bolt 5/16-18 x 1-3/8
19	88516	Idler Pulley

KEY NO.	PART NO.	DESCRIPTION
20	87877	Selector Knob
21	700339	Wheel Adjuster Assembly (Left)
22	700340	Wheel Adjuster Assembly (Right)
23	88118	Felt Washer
24	88080	Dust Cover
25	67725	Washer
26	88446	Wheel Bushing
27	850690	Wheel & Tire Assembly
28	52160	Washer
29	85179	Retainer Clip
30	77400	Hubcap
31	12000058	E-Ring
32	137054	Pinion
33	63601	Locknut 1/4-20
34	700537	Drive Shaft
35	88082	Driven Pulley
36	111924X	Drive Belt
--	852000	"Clean Under" Decal (Drive Cover)
--	850428	Decal (Drive Cover)