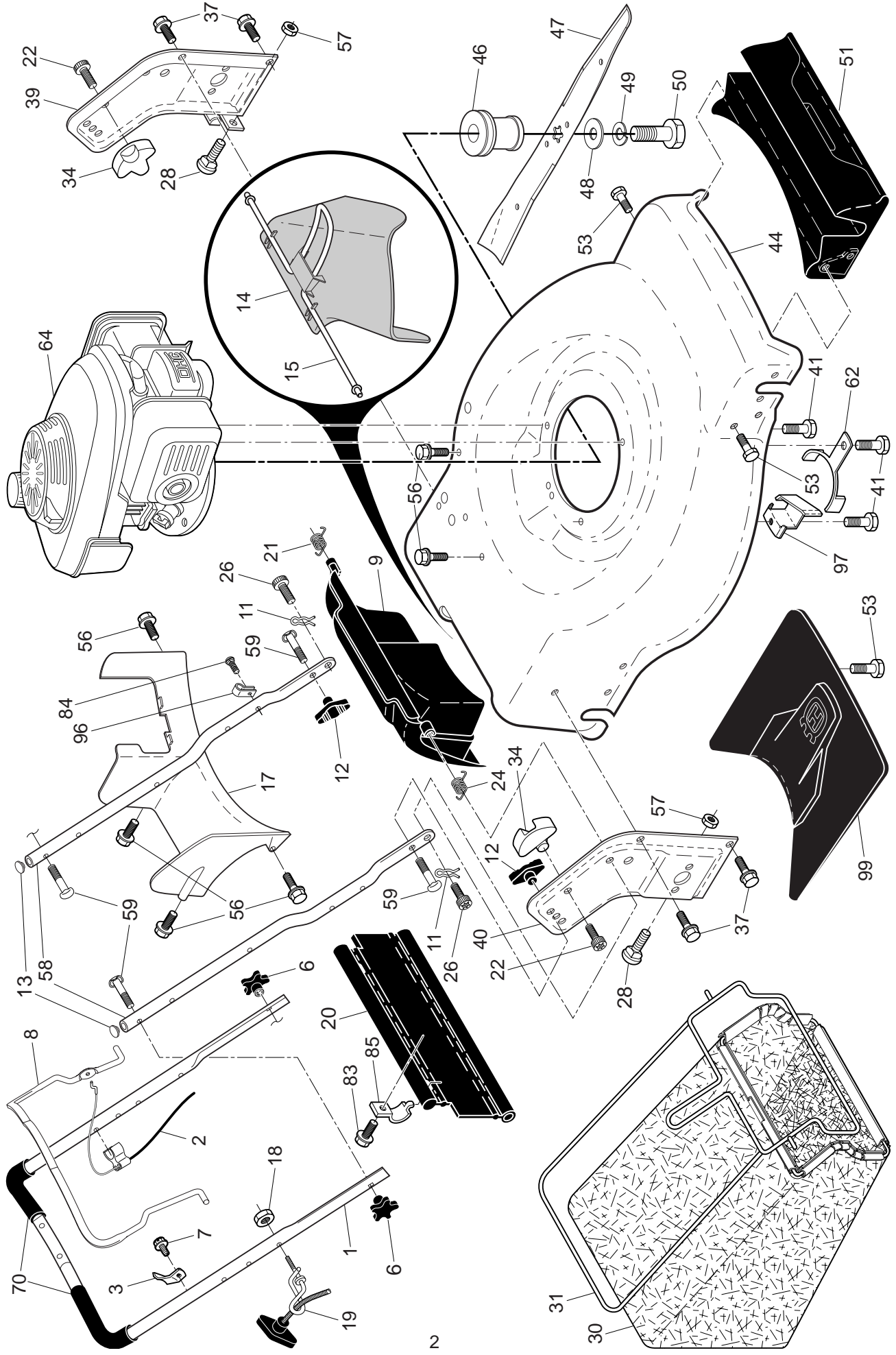


HUSQVARNA ROTARY LAWN MOWER - MODEL NO. HD700L (96143008500) PRODUCT NO. 961 43 00-85

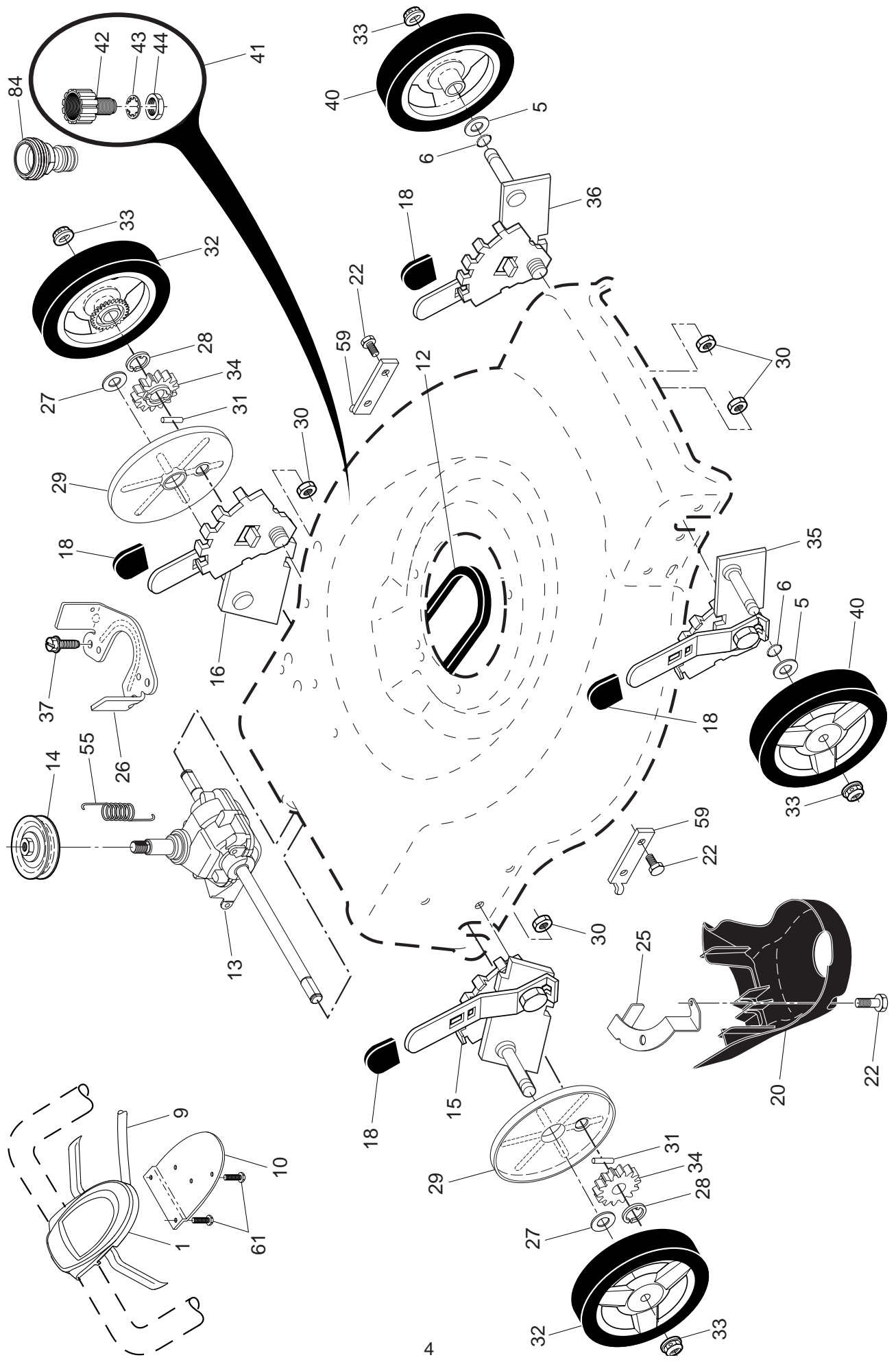


HUSQVARNA ROTARY LAWN MOWER - MODEL NO. HD700L (96143008500) PRODUCT NO. 961 43 00-85

KEY PART NO.	DESCRIPTION	KEY PART NO.	DESCRIPTION
1	532 18 62-96 Upper Handle Assembly (Includes Foam Grip)	41	532 15 04-06 Screw, Dogpoint 3/8-16 x 1-1/8
2	532 44 03-86 Cable, Engine Zone Control	44	532 43 85-35 Kit, Lawn Mower Housing
3	532 43 00-34 Bracket, Upstop	46	532 42 17-82 Blade Adapter / Pulley
6	532 18 23-98 Handle Knob, Star	47	532 42 18-25 Blade, 22"
7	532 17 88-48 Screw #10-16 x 5/8	48	532 85 10-74 Washer, Hardened
8	532 42 68-12 Control Bar	49	532 85 02-63 Washer, Helical
9	532 43 13-90 Rear Door Assembly	50	532 85 10-84 Screw, Machine, Hex Head 3/8-24 x 1-3/8 Grade 8
11	532 42 55-75 Hairpin, Door/Handle Pivot	51	532 43 71-31 Front Baffle
12	532 19 19-38 Handle Knob, Standard	53	532 43 73-45 Screw
13	532 43 75-16 Plug, Lower Handle Bar	56	817 41 13-12 Screw, Hex Washer Head #13 x 3/4
14	532 43 71-32 Deflector, Clipping	57	532 15 53-77 Nut, Hex
15	532 43 72-73 Handle, Clipping Deflector	58	532 44 11-97 Lower Handle
17	532 43 12-38 Rear Baffle	59	532 19 15-74 Handle Bolt
18	532 13 20-04 Keps Locknut 1/4-20	62	532 43 50-59 Belt Retainer
19	532 19 47-88 Rope Guide	64	--- Engine, Honda, Model Number GCV160-LAOS3A (For engine service and replacement parts, call Honda Engines at 1-800-426-7701
20	532 44 45-01 Rear Skirt		
21	532 41 99-49 Spring, Rear Door, LH, Black		
22	532 14 18-41 Screw, Panhead, Torx #20		
24	532 41 99-48 Spring, Rear Door, RH, Grey		
26	532 41 99-45 Screw, Rear Door/Handle Pivot	70	532 18 27-48 Grip, Foam
28	872 25 05-05 Bolt, Carriage 5/16-18 x 5/8	83	532 75 00-97 Screw, Hex Washer Head
30	532 43 85-84 Grassbag	84	532 42 81-24 Fastener, Push
31	532 41 99-51 Frame, Grass Catcher	85	532 43 45-30 Mounting Bracket, Rear Skirt
34	532 43 81-34 Bracket, Grassbag		
37	817 00 05-10 Screw, Hex Head 1/4-20	96	532 19 79-91 Clip, Cable
39	532 44 25-31 Handle Bracket, LH	97	532 43 48-93 Belt Keeper
40	532 44 05-26 Handle Bracket, RH	99	532 43 73-89 Front Shroud Assembly
		--	532 44 58-66 Operator's Manual, English / French

NOTE: All component dimensions given in U.S. inches. 1 inch = 25.4 mm. **IMPORTANT:** Use only Original Equipment Manufacturer (O.E.M.) replacement parts. Failure to do so could be hazardous, damage your lawn mower and void your warranty.

HUSQVARNA ROTARY LAWN MOWER - MODEL NO. HD700L (96143008500) PRODUCT NO. 961 43 00-85



HUSQVARNA ROTARY LAWN MOWER - MODEL NO. HD700L (96143008500) PRODUCT NO. 961 43 00-85

KEY PART NO.	PART NO.	DESCRIPTION	KEY PART NO.	PART NO.	DESCRIPTION
1	532 43 09-95	Drive Control Assembly (Includes Cable)	29	532 18 94-03	Cover, Dust, Wheel
5	532 08 83-48	Washer, Flat	30	532 19 17-30	Nut, Hex
6	532 19 74-80	O-Ring	31	532 40 48-45	Pawl, Drive
9	532 43 16-50	Cable, Drive	32	532 44 27-89	Wheel & Tire Assembly, Rear
10	532 43 27-90	Mounting Bracket, Drive Control	33	532 40 91-48	Nut, Flangelock 3/8-16
12	532 42 15-27	Belt, Drive	34	532 40 48-35	Pinion
13	532 43 45-64	Gearcase Assembly, Complete	35	532 43 78-72	Wheel Adjuster, Front, RH
14	532 19 41-28	Pulley, Drive	36	532 43 78-71	Wheel Adjuster, Front, LH
15	532 43 78-73	Wheel Adjuster, Rear, RH	37	532 16 34-09	Screw, Hi-Lo Thread, 12 x 5/8
16	532 43 78-74	Wheel Adjuster, Rear, LH	40	532 44 28-22	Wheel & Tire Assembly, Front
18	532 70 10-37	Knob, Selector	41	532 43 84-89	Kit, Water Washout Assembly
20	532 42 70-23	Debris Shield	42	532 43 49-94	Fitting, Water Washout
22	817 00 05-10	Screw, Hex Head 1/4-20	43	532 41 55-85	Washer, Lock, Internal Tooth
25	532 42 60-65	Mounting Bracket, Debris Shield	44	532 41 55-86	Locknut, Hex, with O-Ring
26	532 42 60-66	Belt Keeper	55	532 40 65-58	Spring, Tension
27	532 06 77-25	Washer, Flat	59	532 44 21-13	Support Bracket
28	812 00 00-58	E-Ring 7/16	61	532 18 16-98	Screw
			84	532 41 64-05	Fitting, Adapter, Quick-Connect

NOTE: All component dimensions given in U.S. inches. 1 inch = 25.4 mm. **IMPORTANT:** Use only Original Equipment Manufacturer (O.E.M.) replacement parts. Failure to do so could be hazardous, damage your lawn mower and void your warranty.