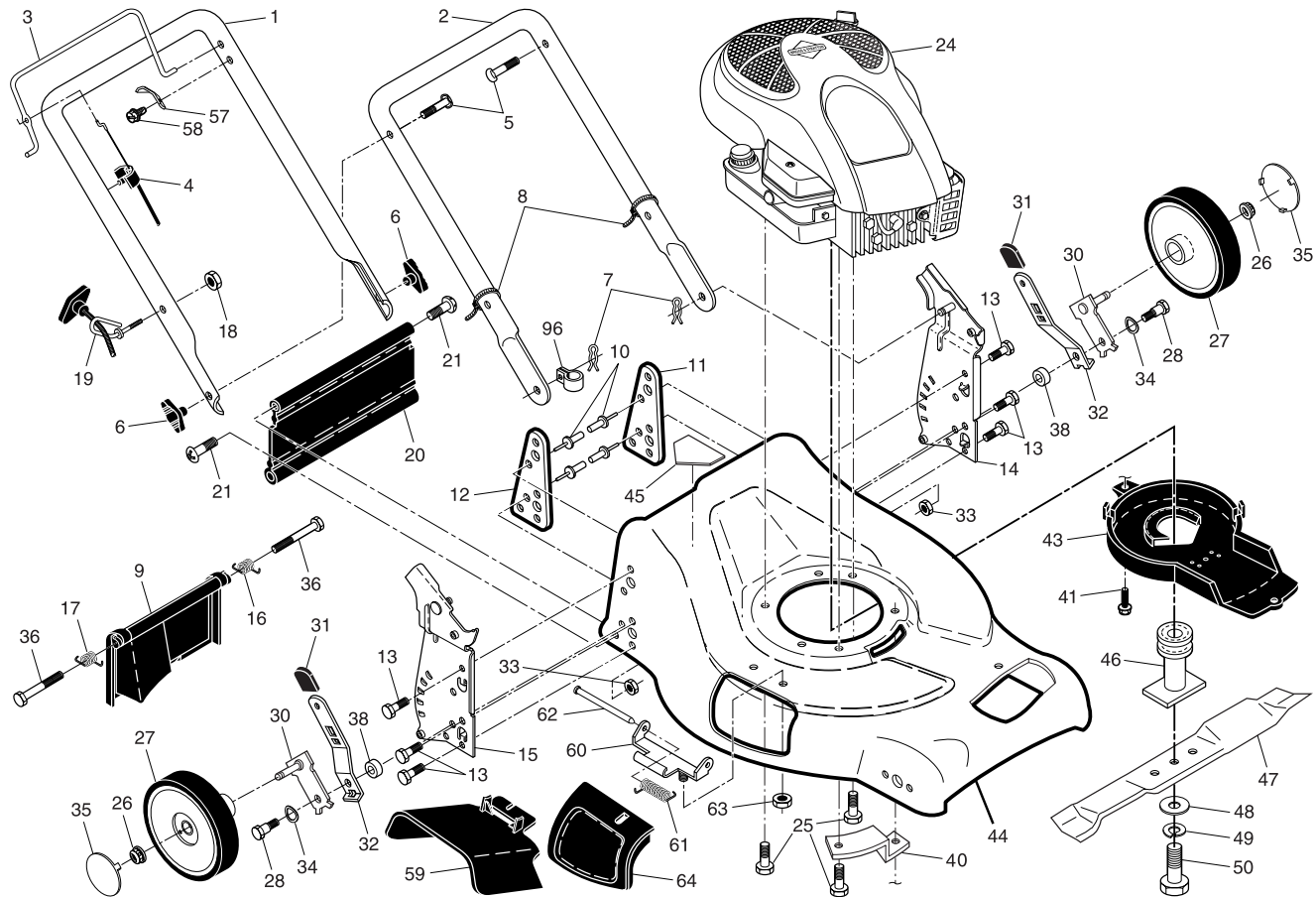


ROTARY LAWN MOWER - - MODEL NUMBER PR600Y21RP (MFG. ID. NO. 96142003400)

2



ROTARY LAWN MOWER - - MODEL NUMBER **PR600Y21RP** (MFG. ID. NO. 96142003400)

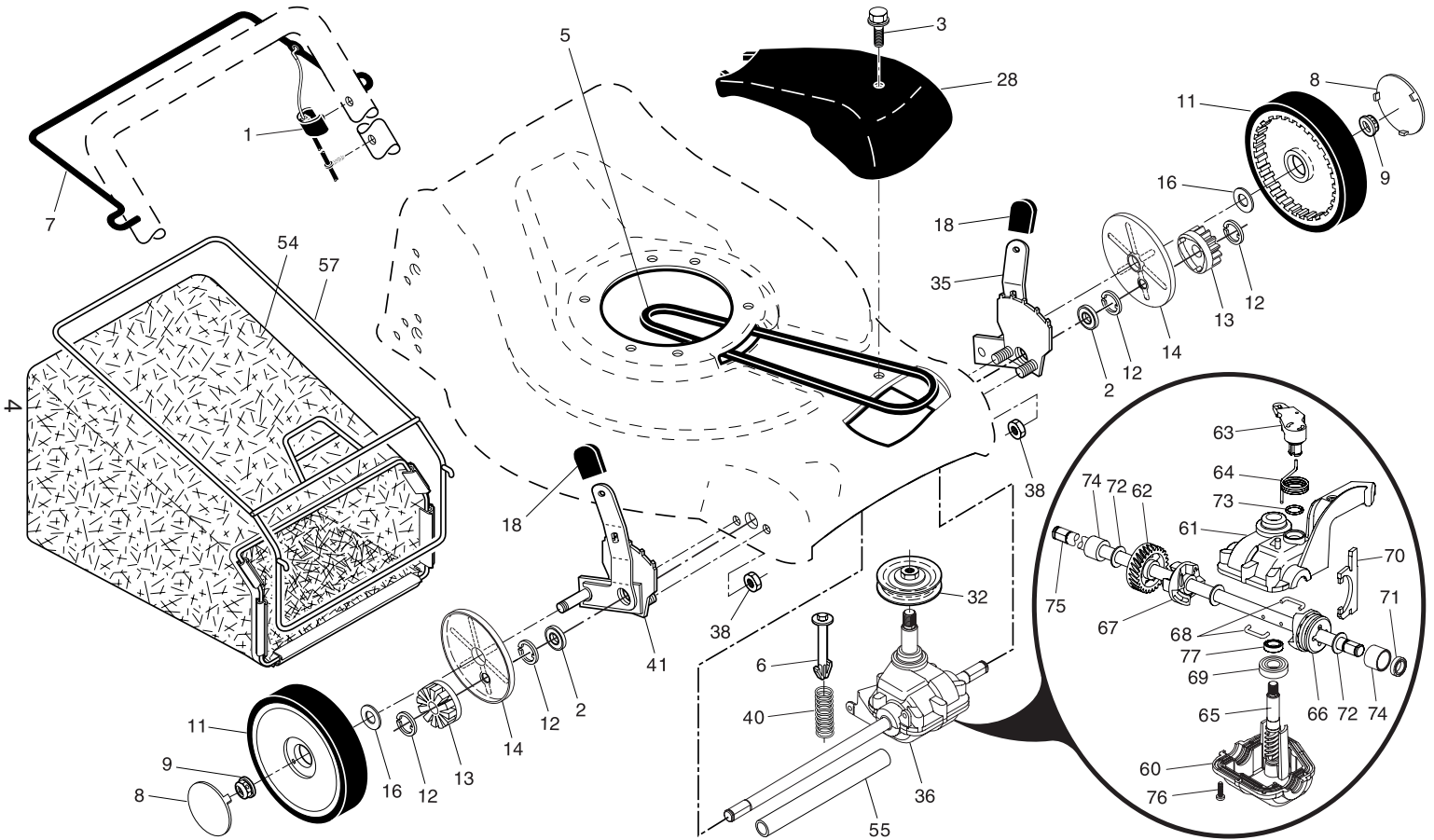
3

KEY NO.	PART NO.	DESCRIPTION	KEY NO.	PART NO.	DESCRIPTION
1	194200X479	Upper Handle	32	401623X004	Selector Spring
2	151721X479	Lower Handle	33	198541	Nut, Hex
3	194199X428	Control Bar	34	401630	Washer, Curved, Cylindrical
4	183567	Engine Zone Control Cable	35	407793X421	Hubcap
5	191574	Handle Bolt	36	184193	Bolt, Rear Door
6	189713X428	Handle Knob	39	401629	Spacer
7	51793	Hairpin Cotter	40	188839X004	Mounting Bracket, Debris Shield
8	66426	Wire Tie	41	192325	Screw, Debris Shield
9	401812X428	Rear Door Assembly	43	405845	Debris Shield
10	128415	Pop Rivet	44	412215	Kit, Lawn Mower Housing (Includes Key Numbers 11, 12 and 45)
11	406573X479	Support Bracket, LH	45	404763	Danger Decal
12	406574X479	Support Bracket, RH	46	189179	Blade Adapter / Pulley
13	17060410	Screw, Tapping 1/4-20 x 5/8	47	406712	Blade, 21"
14	175082X479	Handle Bracket Assembly, LH	48	851074	Hardened Washer
15	175081X479	Handle Bracket Assembly, RH	49	850263	Helical Washer
16	405417	Spring, Rear Door, LH	50	851084	Screw, Hex Head, Grade 8, 3/8-24 x 1-3/8
17	405418	Spring, Rear Door, RH	57	850733X004	Bracket, Upstop
18	132004X421	Nut, Hex 1/4-20	58	750634	Screw #10-24 x 1/2
19	194788	Rope Guide	59	175071	Discharge Deflector
20	189005	Rear Skirt	60	173735	Hinge Bracket
21	88652	Hinge Screw 1/4-20 x 1-1/4	61	193000	Hinge Spring
24	- - -	Engine, Briggs & Stratton, Model Number 120T02	62	175650	Hinge Rod
25	150406	Hex Head Thread Rolling Screw 3/8-16 x 1-1/8	63	73800400	Nut, Hex
26	83923	Hex Flange Nut	64	175066	Mulcher Door
27	150339	Wheel & Tire Assembly	96	197991	Clip, Cable
28	401638	Shoulder Bolt 5/16-18 x 1-21/64	--	404764	Warning Decal (not shown)
30	401178X004	Axle Arm Assembly, Rear	--	193733	Operator's Manual, English
31	170143X421	Selector Knob	--	193736	Operator's Manual, French
			--	412213	Replacement Parts Manual

NOTE: All component dimensions given in U.S. inches. 1 inch = 25.4 mm.

IMPORTANT: Use only Original Equipment Manufacturer (O.E.M.) replacement parts. Failure to do so could be hazardous, damage your lawn mower and void your warranty.

ROTARY LAWN MOWER - - MODEL NUMBER PR600Y21RP (MFG. ID. NO. 96142003400)



ROTARY LAWN MOWER - - MODEL NUMBER PR600Y21RP (MFG. ID. NO. 96142003400)

KEY NO.	PART NO.	DESCRIPTION	KEY NO.	PART NO.	DESCRIPTION
1	194653	Control Cable Assembly	54	411063	Grassbag
2	88059	Bearing, Wheel Adjuster	55	175739	Driveshaft Cover
3	175262	Pan Head Tapping Screw #10-24 x 2-3/4	57	401802	Frame, Grassbag
5	175436	V-Belt	60	183497	* Case, Lower
6	150495	Spring Retainer	61	183498	* Case, Upper
7	194185X428	Control Bar, Drive	62	183499	Gear, 27 Teeth
8	407793X421	Hubcap	63	183500	Lever, Clutch
9	145212	Nut, Flangelock, Special Thread	64	183501	Spring, Return
11	180775	Wheel & Tire Assembly	65	183502	Shaft, Input
12	12000058	E-Ring	66	183503	Dog, Movable
13	137054	Pinion	67	183504	Dog, Fixed
14	189403	Dust Cover	68	183505	Wire, Formed
16	67725	Washer 1/2 x 1-1/2 x .134	69	183506	Bearing, Ball
18	170143	Selector Knob	70	183507	Fork, Shift
28	181468	Dive Cover	71	183508	Seal, Output Shaft
32	194126	Drive Pulley	72	183509	Washer
35	412461	Kit, Wheel Adjuster, LH (Includes Knob and Bearing)	73	183510	Seal, Case
36	180184	Gear Case Assembly, Complete	74	183511	Bushing
38	73800400	Locknut, Hex 1/4-20	75	196613	Shaft, Output
40	137090	Spring	76	183513	Screw
41	412460	Kit, Wheel Adjuster, RH (Includes Knob and Bearing)	77	183514	Seal, Input Shaft

* Use Dow Corning #709 to reseal Gear Case Halves.

NOTE: All component dimensions given in U.S. inches. 1 inch = 25.4 mm.

IMPORTANT: Use only Original Equipment Manufacturer (O.E.M.) replacement parts. Failure to do so could be hazardous, damage your lawn mower and void your warranty.