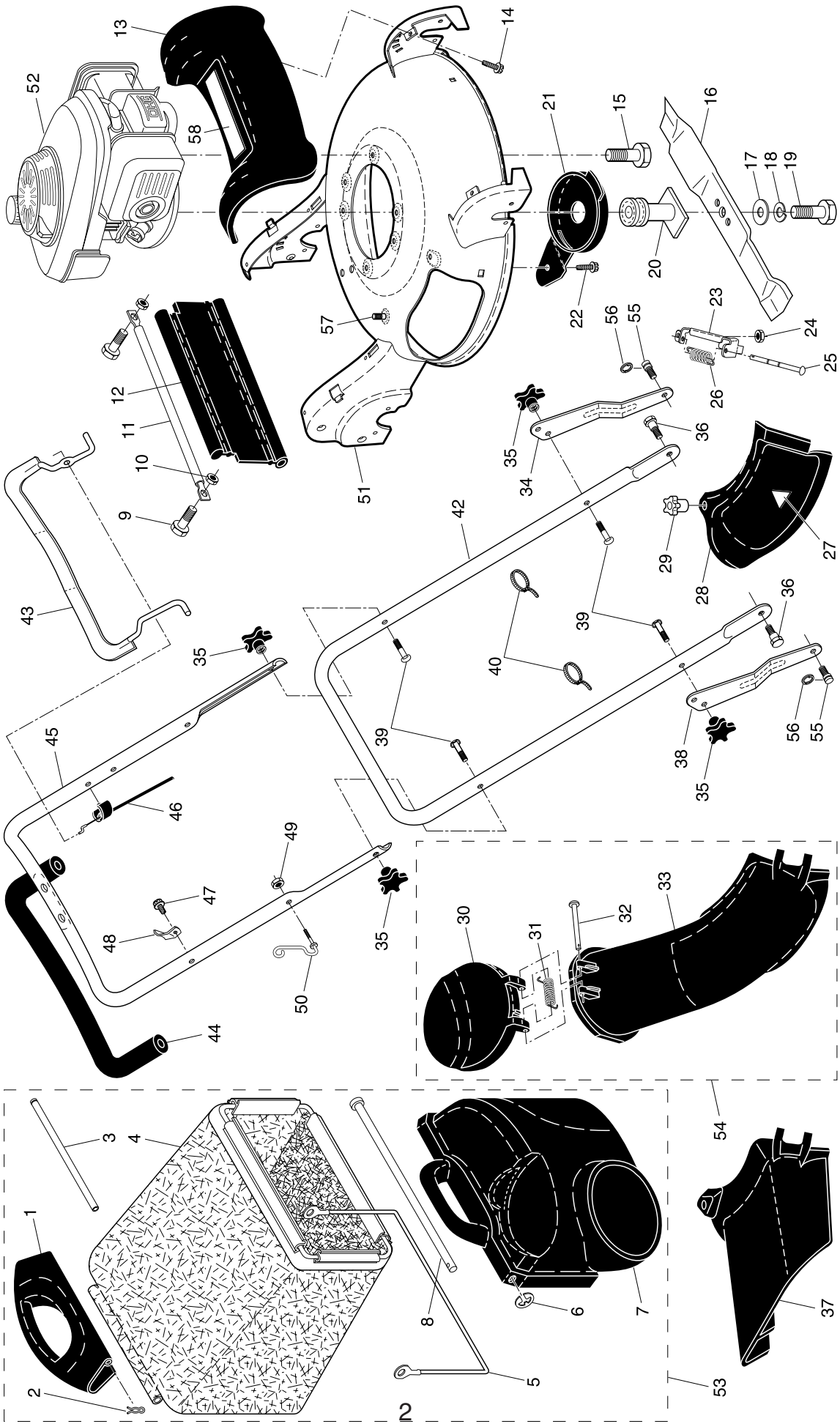


**ROTARY LAWN MOWER -- MODEL NUMBER PR55HHVP (MFG. ID. NUMBER 96142001401)**



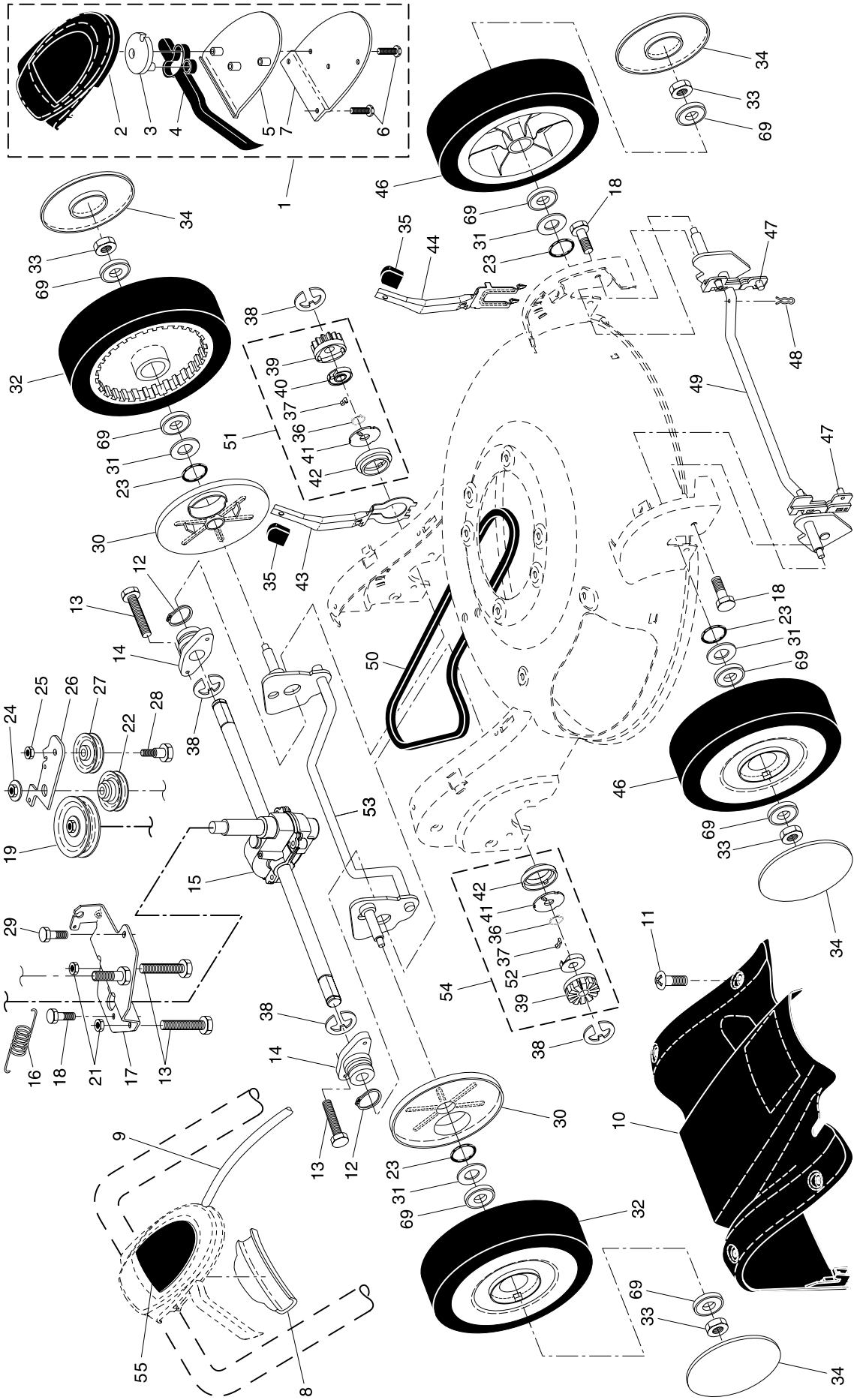
# ROTARY LAWN MOWER - - MODEL NUMBER **PR55HHVP** (MFG. ID. NUMBER 96142001401)

KEY PART NO.	DESCRIPTION	KEY PART NO.	DESCRIPTION
1	188505X418 Handle, Grassbag, Rear	33	188504X418 Discharge Chute, Plastic
2	65322 Hairpin Cotter	34	187063X479 Adjustment Bracket, Lower Handle, LH
3	183483 Rod, Rear Handle, Grassbag	35	195552 Knob, Star
4	195149 Grassbag	36	183465 Bolt, Shoulder
5	188506 Frame, Grassbag	37	185996 Deflector, Discharge
6	12000014 E-Ring	38	187064X479 Adjustment Bracket, Lower Handle, RH
7	188498X418 Door, Grassbag	39	191574 Bolt, Handle
8	183479 Rod, Pivot	40	66426 Wire Tie
9	72140405 Screw	42	183464X479 Handle Assembly, Lower
10	73800400 Nut, Hex	43	183474 Bail, Control
11	<b>188359X479</b> Tube, Rear Skirt	44	182748 Grip, Foam
12	188503X428 Skirt, Rear	45	184576 Handle Assembly, Upper (Includes Foam Grip)
13	195158X418 Cover, Front	46	164322 Cable, Engine Zone Control
14	184572 Screw, Hex Washer Head	47	750634 Screw
15	150406 Bolt, Engine Mounting	48	86899X004 Bracket, Upstop
16	189028 Blade, 21"	49	132004 Locknut, Hex 1/4-20
17	851074 Washer, Hardened	50	188501 Rope Guide
18	850263 Washer, Lock	51	195147 Housing Assembly
19	191760 Bolt, Hex Head, Grade 8, 3/8-24 x 2	52	--- Engine, Honda, Model Number
20	186766 Adapter, Blade	53	195150 GCV160-AS3A (See Breakdown)
21	188510X428 Debris Shield	54	189014 Grassbag Assembly, Complete (Consists of Key Numbers 1-8)
22	17600406 Screw, Hex Head, Serrated	55	188628 Discharge Chute Assembly, Complete (Consists of Key Numbers 30-33)
23	183609 Mounting Bracket, Mulcher Door	56	12000058 Stud, Shoulder, T45
24	751152 Nut, Hex	57	188634 Stud, Threaded
25	183445 Rod, Hinge	58	195624 Decal, Front Cover
26	183446 Spring, Mulcher Door	--	162300 Decal, Warning (not shown)
27	107339X Decal, Danger	--	193733 Operator's Manual, English
28	188507X418 Mulcher Door	--	193736 Operator's Manual, French
29	183447 Knob	--	<b>196611</b> Repair Parts Manual, English / French
30	188497X418 Door, Discharge Chute		
31	183478 Spring, Door, Discharge Chute		
32	183445 Rod, Door, Discharge Chute		

**NOTE:** All component dimensions given in U.S. inches. 1 inch = 25.4 mm.

**IMPORTANT:** Use only Original Equipment Manufacturer (O.E.M.) replacement parts. Failure to do so could be hazardous, damage your lawn mower and void your warranty.

**ROTARY LAWN MOWER -- MODEL NUMBER PR55HHVP (MFG. ID. NUMBER 96142001401)**



# ROTARY LAWN MOWER - - MODEL NUMBER PR55HHVP (MFG. ID. NUMBER 96142001401)

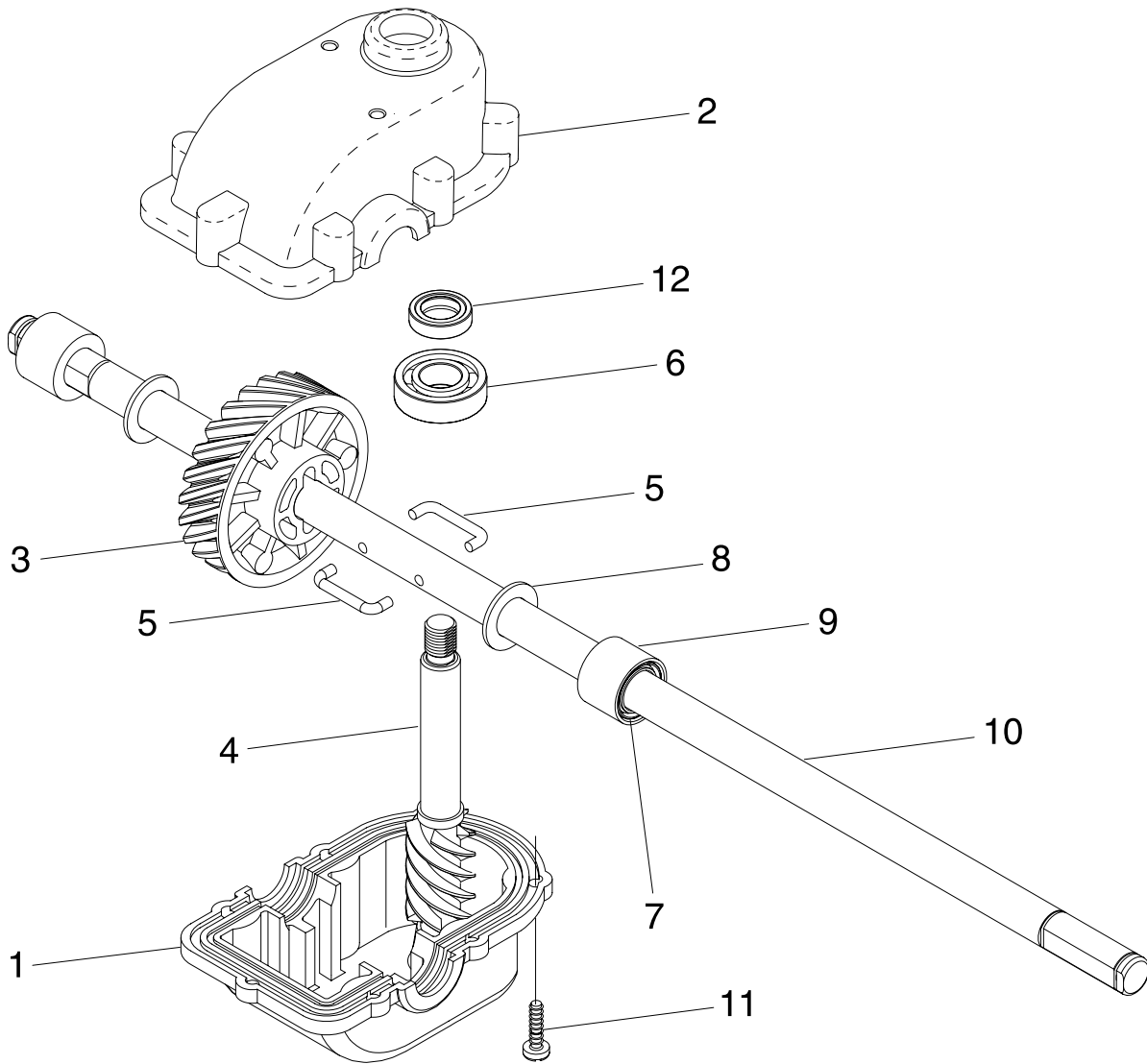
KEY NO.	PART NO.	DESCRIPTION	KEY NO.	PART NO.	DESCRIPTION
1	196786	Drive Control Assembly, Complete	29	17060410	Screw 1/4-20 x 1/16
2	195745	Cover, Drive Control, Top	30	183457	Cover, Dust, Wheel
3	187353	Pulley, Drive Control	31	88348	Washer, Flat 1/2
4	195747	Lever, Drive Control	32	192622	Wheel & Tire Assembly, Rear, Driven 9 x 2-1/4
5	195744	Cover, Drive Control, Bottom	33	83923	Nut, Hex
6	181698	Screw, Torx Head #8-5/8	34	183695X421	Hubcap
7	184212X479	Bracket, Mounting, Drive Control	35	183437X421	Knob
8	184987	Cap, Drive Control, Bottom	36	188291	Spring, Torsion
9	197011	Cable, Drive Control	37	175098	Pawl
10	188356X418	Cover Assembly, Drive	38	12000058	E-Ring
11	184571	Screw	39	175103	Gear
12	12000012	Ring, Retaining	40	175105	Retainer, Drive, LH
13	194186	Screw	41	175104	Disc, Drive
14	187120	Bearing / Axle Support	42	184172	Seal, Friction
15	188294	Gear Case Assembly (See Breakdown)	43	188508X004	Lever, Selector, Wheel Height, Rear
16	194124	Spring, Return	44	188509X004	Lever, Selector, Wheel Height, Front
17	194438	Bracket, Gear Case / Drive Pulley	46	192232	Wheel & Tire Assembly, Front 9 x 2-1/4
18	163409	Screw	47	183438	Bushing, Front Axle
19	194128	Pulley, Drive	48	169675	Retainer, Hairpin Cotter
21	132004	Nut, Hex	49	192431X004	Torque Shaft Assembly, Front
22	193791	Pulley Assembly, V-Groove	50	183688	Belt, Drive
23	188152	O-Ring	51	188331	Pinion Assembly, LH
24	145212	Nut, Hex, Flangelock	52	175102	Retainer, Drive, RH
25	73930500	Nut, Hex, Lock	53	192138X004	Rear Axle Assembly
26	183700X004	Idler Arm	54	188330	Pinion Assembly, RH
27	166043	Pulley, Idler	55	195175	Decal, Drive Control Operation
28	160829	Bolt, Hex Head, Shoulder	69	751068	Bearing, Ball (Wheel)

**NOTE:** All component dimensions given in U.S. inches. 1 inch = 25.4 mm.

**IMPORTANT:** Use only Original Equipment Manufacturer (O.E.M.) replacement parts. Failure to do so could be hazardous, damage your lawn mower and void your warranty.

**ROTARY LAWN MOWER - - MODEL NUMBER PR55HHVP  
GEAR CASE ASSEMBLY - PART NUMBER 188294**

**TONDEUSE À GAZON ROTATIVE - - NUMÉRO DE MODÈLE PR55HHVP  
ENSEMBLE DE LA BOÎTE DE VITESSE - NUMÉRO DE PIÈCE 188294**



KEY NO.	PART NO.	DESCRIPTION	DESCRIPTION
1	187530	Case, Lower	Moitié, Inférieur
2	191245	Case, Upper	Moitié, Supérieur
3	187532	Gear, 24 Teeth	Vitese, 24 Dents
4	191246	Shaft, Worm	Arbre à Vis Sans Fin
5	183505	Wireform	Fil à Pince
6	183506	Bearing, Ball	Palier
7	183508	Seal, Output Shaft	Joint d'étanchéité, Arbre d'entraînement
8	183509	Washer	Rondelle
9	183511	Bushing	Douille
10	191247	Shaft, Output	Arbre d'entraînement
11	183513	Screw	Vis
12	183514	Seal, Worm Shaft	Joint d'étanchéité, Arbre à Vis Sans Fin
--	750369	Grease, Texaco Starplex Premium 1 (Do not substitute) (1.4 ounce capacity)	Grease, "Texaco Starplex Premium 1" (N'utilisez aucun autre lubrifiant) (1.4 oz capacité)