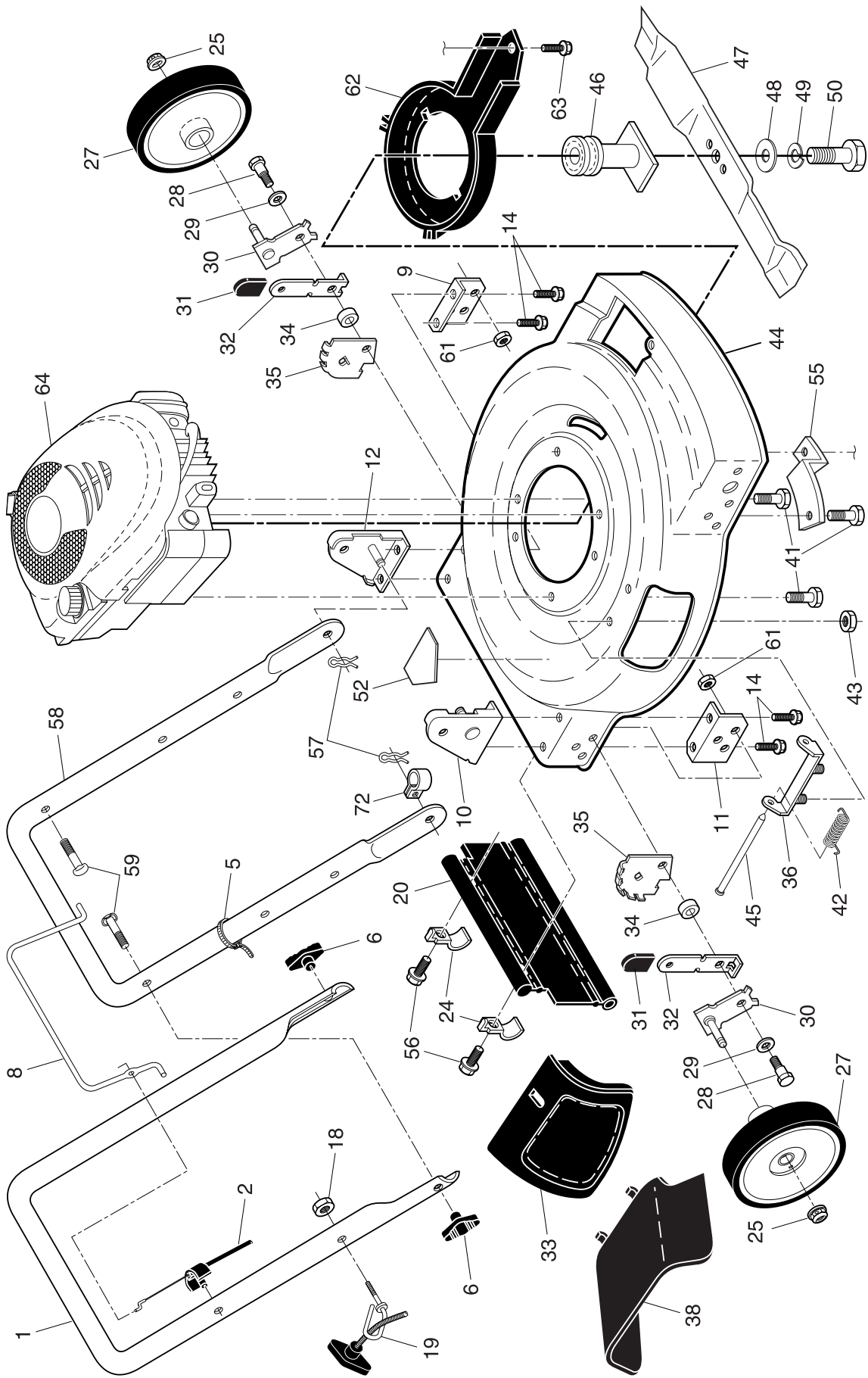


ROTARY LAWN MOWER -- MODEL NUMBER 961240001 (96124000100)

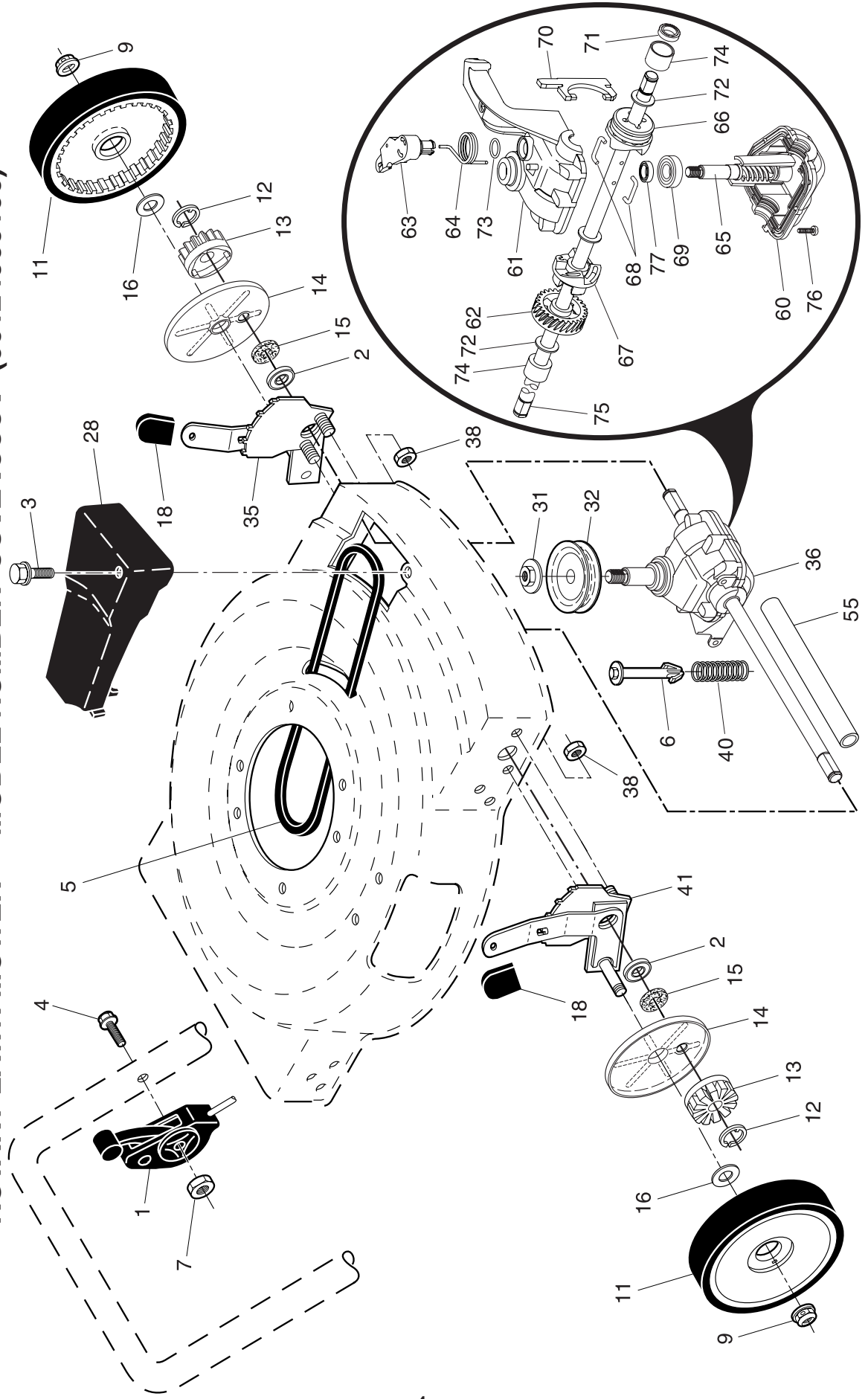


ROTARY LAWN MOWER -- MODEL NUMBER 961240001 (96124000100)

KEY NO.	PART NO.	DESCRIPTION	KEY NO.	PART NO.	DESCRIPTION
1	166860X479	Upper Handle	45	147286	Rod, Hinge
2	156581	Engine Zone Control Cable	46	189179	Blade Adapter / Pulley
5	66426	Wire Tie	47	192682	Blade, 22"
6	189713X428	Handle Knob	48	851074	Washer, Hardened
8	146771	Control Bar	49	850263	Washer, Lock, Helical
9	153282X479	Support Bracket, Handle, LH	50	851084	Screw, Hex Head 3/8-24 x 1-3/8 Grade 8
10	170345X479	Handle Bracket Assembly, RH	52	141846	Decal, Danger
11	153350X479	Support Bracket, Handle, RH	55	188839X004	Mounting Bracket, Debris Shield
12	170346X479	Handle Bracket Assembly, LH	56	750097	Screw, Hex Washer Head #10-24 x 1/2
14	149741	Screw, Thread Cutting 5/16-18 x 3/4	57	51793	Hairpin Cotter
18	132004	Locknut, Keps	58	151590X479	Lower Handle
19	179585	Rope Guide	59	191574	Handle Bolt
20	189008	Rear Deflector	61	751592	Locknut, Hex
24	87584X004	Clamp, Rear Deflector	62	188784	Debris Shield
25	83923	Locknut, Hex 3/18-16	63	192325	Screw, Debris Shield
27	196146	Wheel & Tire Assembly	64	---	Engine, Briggs & Stratton, Model Number 121K02 (for engine service and replacement parts, call Briggs & Stratton at 1-800-233-3723)
28	142748	Shoulder Bolt			Clip, Cable
29	62335	Belleville Washer	72	192770	Warning Decal (not shown)
30	145935X004	Axle Arm Assembly	--	161058	Operator's Manual, English
31	87877	Knob, Selector	--	193733	Operator's Manual, Spanish
32	700331X004	Spring, Selector	--	193743	Repair Parts Manual
33	151889	Discharge Guard			Available accessories not included with lawn mower:
34	146630	Spacer	--	195592	Grass Catcher
35	700325X007	Bracket, Wheel Adjuster			NOTE: All component dimensions given in U.S. inches. 1 inch = 25.4 mm
36	154132	Bracket, Housing			
38	176509	Deflector, Discharge			
41	150406	Screw, Hex Head, Threaded, Rolled 3/8-16 x 1-1/8			
42	152124	Spring, Torsion			
43	73800400	Locknut, Hex			
44	196102	Kit, Lawn Mower Housing (Includes Key Number 52)			

IMPORTANT: Use only Original Equipment Manufacturer (O.E.M.) replacement parts. Failure to do so could be hazardous, damage your lawn mower and void your warranty.

ROTARY LAWN MOWER -- MODEL NUMBER 961240001 (96124000100)



ROTARY LAWN MOWER -- MODEL NUMBER 961240001 (96124000100)

KEY NO.	PART NO.	DESCRIPTION	KEY NO.	PART NO.	DESCRIPTION
1	184588	Drive Control Assembly	55	86012	Drive Shaft Cover
2	88058	Bearing, Wheel Adjuster	60	183497	Case, Lower
3	143603	Screw, Tapping, Pan Head #10-24 x 2-3/4	61	183498	Case, Upper
4	158755	Screw, Machine, Pan Head 1/4-20 x 2-3/16	62	183499	Gear, 27 Teeth
5	146527	V-Belt	63	183500	Lever, Clutch
6	150495	Bolt, Hex Head 1/4-20 x 2	64	183501	Spring, Return
7	191730	Nut, Hex, Flanged 1/4-20	65	183502	Shaft, Input
9	145212	Locknut	66	183503	Dog, Movable
11	196149	Wheel & Tire Assembly	67	183504	Dog, Fixed
12	12000058	E-Ring	68	183505	Wire, Formed
13	137054	Pinion	69	183506	Bearing, Ball
14	189403	Dust Cover	70	183507	Fork, Shift
16	67725	Washer	71	183508	Seal, Output Shaft
18	87877	Knob, Selector	72	183509	Washer
28	194398X428	Drive Cover	73	183510	Seal, Case
31	132010	Locknut, Hex	74	183511	Bushing
32	189407	Pulley, Drive	75	187521	Shaft, Output
35	151521	Kit, Wheel Adjuster, LH (Includes Knob and Bearing)	76	183513	Screw
36	187211	Gear Case Assembly, Complete	77	183514	Seal, Input Shaft
38	73800400	Locknut, Hex			
40	137090	Spring			
41	151520	Kit, Wheel Adjuster, RH (Includes Knob and Bearing)			

* Use Dow Corning #709 to reseal Gear Case Halves.

NOTE: All component dimensions given in U.S. inches.
1 inch = 25.4 mm