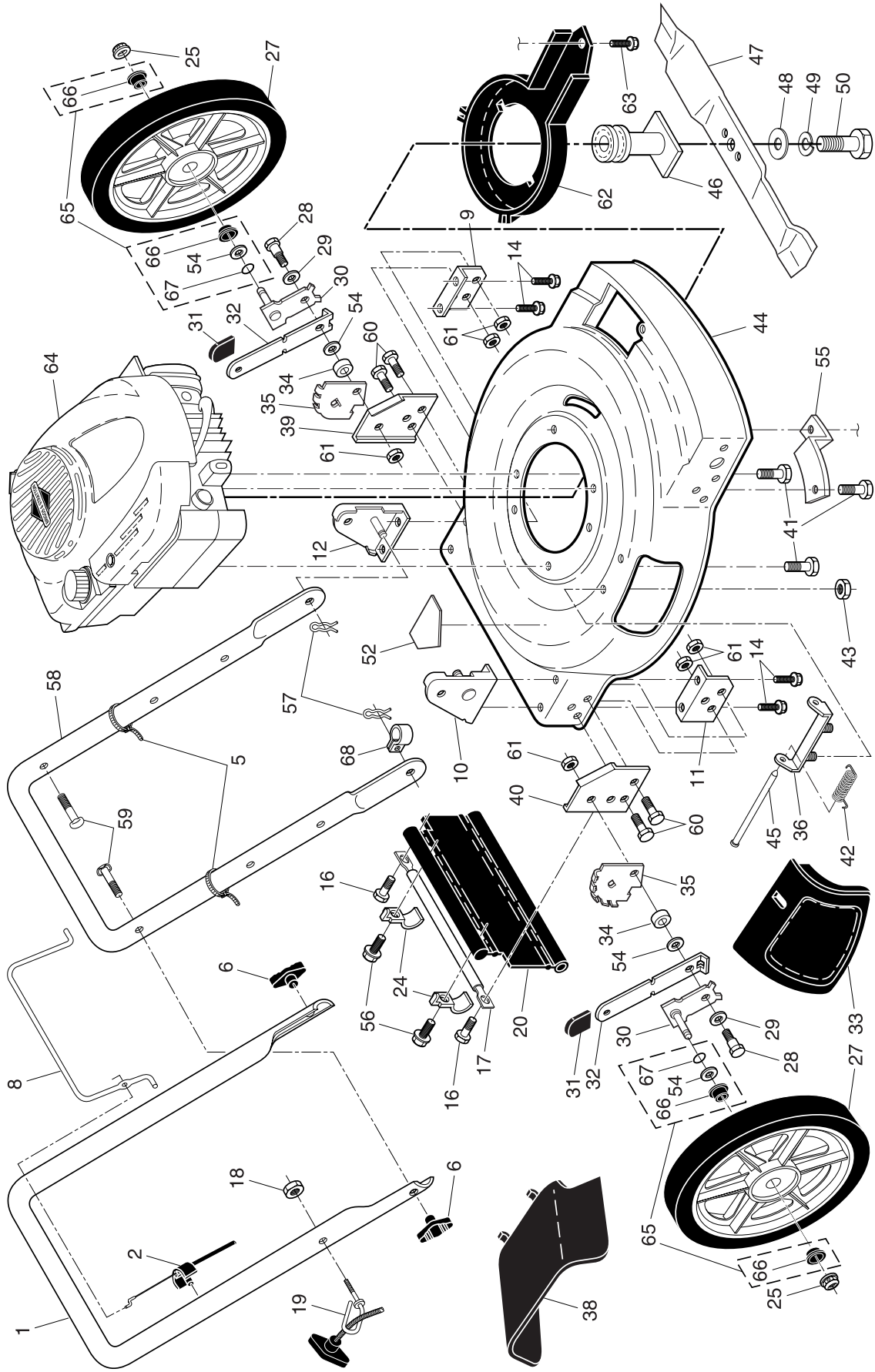


ROTARY LAWN MOWER - - CATALOG NUMBER PR675Y22SHP (MFG. ID. NUMBER 96122000402)

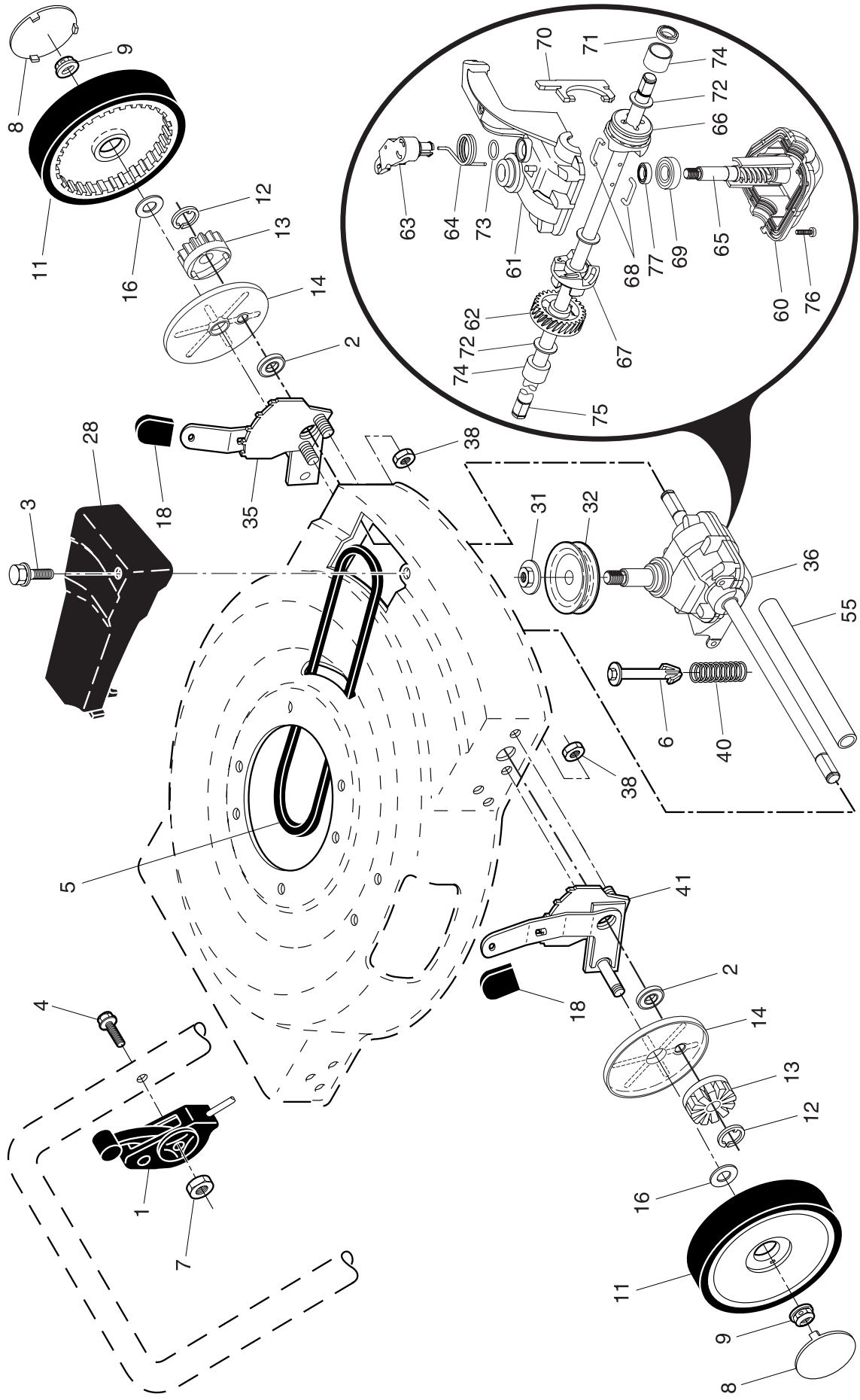


ROTARY LAWN MOWER - - CATALOG NUMBER PR675Y22SHP (MFG. ID. NUMBER 96122000402)

KEY NO.	PART NO.	DESCRIPTION	KEY NO.	PART NO.	DESCRIPTION
1	166860X479	Upper Handle	45	147286	Rod, Hinge
2	156581	Engine Zone Control Cable	46	189179	Blade Adapter / Pulley
5	66426	Wire Tie	47	192682	Blade, 22"
6	189713X428	Handle Knob	48	851074	Washer, Hardened
8	146771	Control Bar	49	850263	Washer, Lock, Helical Spring
9	153282X479	Support Bracket, Handle, LH	50	851084	Screw, Hex Head 3/8-24 x 1-3/8 (Grade 8)
10	170345X479	Handle Bracket Assembly, RH	52	107339X	Decal, Danger
11	153350X479	Support Bracket, Handle, RH	54	88348	Washer, Flat 3/8
12	170346X479	Handle Bracket Assembly, LH	55	188839X004	Mounting Bracket, Debris Shield
14	149741	Screw, Thread Cutting 5/16-18 x 3/4	56	750097	Screw, Hex Washer Head #10-24 x 1/2
16	54583	Screw, Support Rod	57	51793	Hairpin Cotter
17	165175X479	Rod, Support	58	151590X479	Lower Handle
18	132004	Locknut, Keps 1/4-20	59	191574	Handle Bolt
19	179585	Rope Guide	60	74760612	Bolt, Hex Head 3/8-16 x 3/4
20	189008	Rear Deflector	61	751592	Locknut, Hex 3/8-16
24	87584X004	Bracket, Deflector	62	188784	Debris Shield
25	83923	Locknut, Hex 3/18-16	63	192325	Screw
27	195630	Wheel & Tire Assembly, Rear, 14"	64	---	Engine, Briggs & Stratton, Model Number 125K02 (For engine service and replacement parts, call Briggs & Stratton at 1-800-233-3723)
28	142748	Bolt, Shoulder 3/8-16 x 1	65	193498	Kit, Bushing, High Wheel
29	61651	Belleville Washer	66	193028X428	Bushing, Nylon, Black
30	180413X004	Axle Arm Assembly	67	188152	O-Ring
31	170143	Knob, Selector	68	192770	Clip, Cable
32	700331X004	Spring, Selector	--	162300	Warning Decal (not shown)
33	151889	Mulcher Door	--	193733	Operator's Manual, English
34	146630	Spacer	--	193736	Operator's Manual, French
35	750085X007	Bracket, Wheel Adjuster	--	195726	Repair Parts Manual, English / French
36	154132	Bracket, Housing	Available accessories not included with lawn mower:		
38	176509	Deflector, Discharge	--	GCK5000	Grass Catcher Assembly
39	700168X479	Support Bracket, LH	NOTE: All component dimensions given in U.S. inches. 1 inch = 25.4 mm		
40	700166X479	Support Bracket, RH			
41	150406	Screw, Hex Head, Threaded, Rolled 3/8-16 x 1-1/8			
42	152124	Spring, Torsion			
43	73800400	Locknut, Hex 1/4-20			
44	194628	Lawn Mower Housing (Includes Key Number 52)			

IMPORTANT: Use only Original Equipment Manufacturer (O.E.M.) replacement parts. Failure to do so could be hazardous, damage your lawn mower and void your warranty.

ROTARY LAWN MOWER - - CATALOG NUMBER PR675Y22SHP (MFG. ID. NUMBER 96122000402)



ROTARY LAWN MOWER - - CATALOG NUMBER PR675Y22SHP (MFG. ID. NUMBER 96122000402)

KEY NO.	PART NO.	DESCRIPTION	KEY NO.	PART NO.	DESCRIPTION
1	184587	Control Cable Assembly	41	152019	Kit, Wheel Adjuster, RH
2	88058	Bearing, Wheel Adjuster			(Includes Knob and Bearing)
3	143603	Pan Head Tapping Screw #10-24 x 2-3/4	55	86012	Driveshaft Cover
4	158755	Hex Washer Head Screw 1/4-20 x 2.12	60	183497	Case, Lower (Use Dow Corning #709 to reseal)
5	146527	V-Belt	61	183498	Case, Upper (Use Dow Corning #709 to reseal)
6	150495	Spring Retainer	62	183499	Gear, 27 Teeth
7	191730	Nut, Hex, Flanged 1/4-20	63	183500	Lever, Clutch
8	77400	Hubcap	64	183501	Spring, Return
9	145212	Locknut	65	183502	Shaft, Input
11	194854	Wheel & Tire Assembly	66	183503	Dog, Movable
12	12000058	E-Ring	67	183504	Dog, Fixed
13	137054	Pinion	68	183505	Wire, Formed
14	189403	Dust Cover	69	183506	Bearing, Ball
16	67725	Washer 1/2 x 1-1/2 x .134	70	183507	Fork, Shift
18	170143	Selector Knob	71	183508	Seal, Output Shaft
28	194398X428	Drive Cover	72	183509	Washer
31	132010	Hex Flange Nut	73	183510	Seal, Case
32	189407	Drive Pulley	74	183511	Bushing
35	152018	Kit, Wheel Adjuster, LH	75	187521	Shaft, Output
		(Includes Knob and Bearing)	76	183513	Screw
36	187211	Gear Case Assembly, Complete	77	183514	Seal, Input Shaft
38	73800400	Locknut, Hex 1/4-20			
40	137090	Spring			

NOTE: All component dimensions given in U.S. inches.
1 inch = 25.4 mm

IMPORTANT: Use only Original Equipment Manufacturer (O.E.M.) replacement parts. Failure to do so could be hazardous, damage your lawn mower and void your warranty.