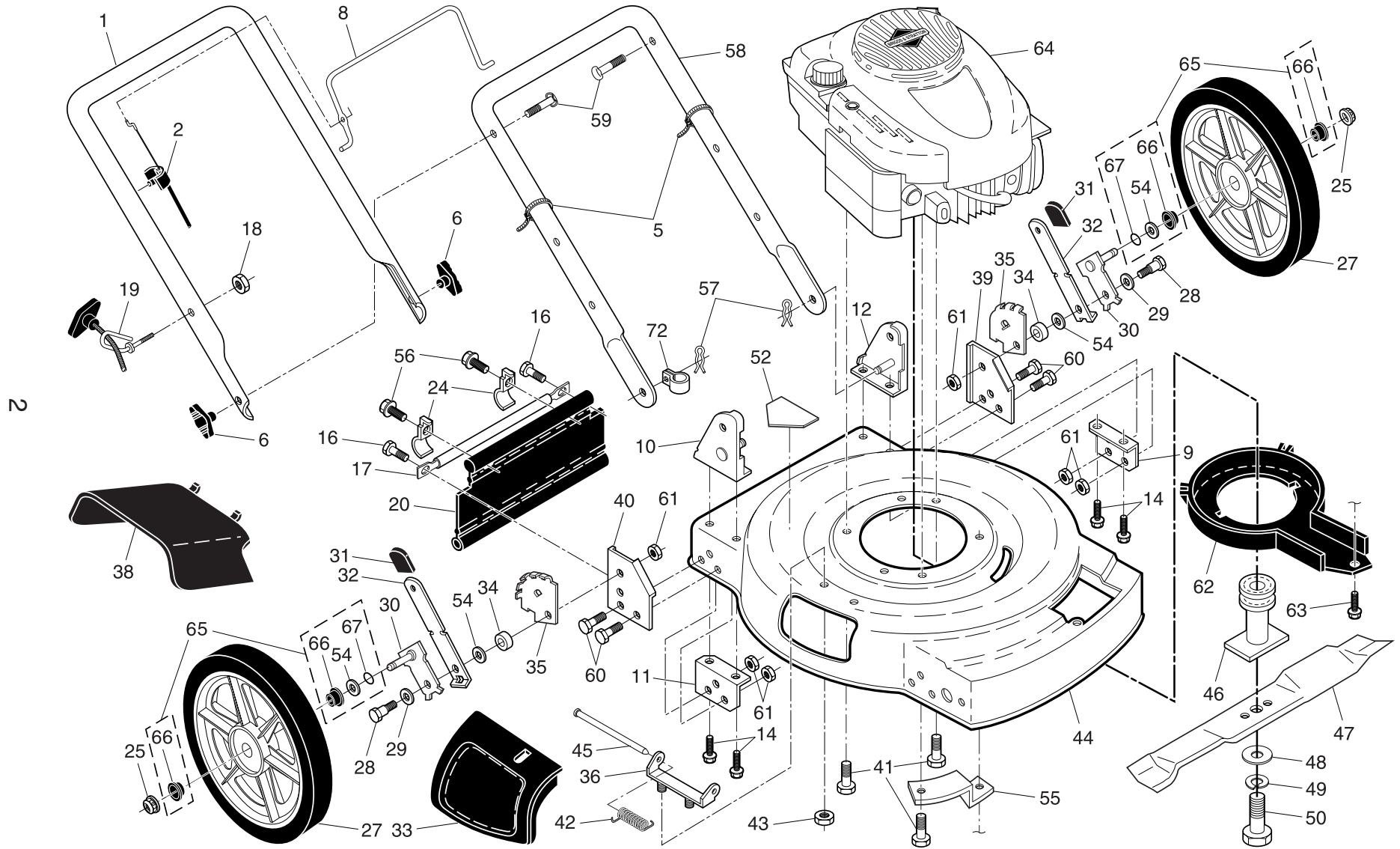


# ROTARY LAWN MOWER - - MODEL NUMBER PR675Y22SHP (MFG. ID. NUMBER 96122000401)



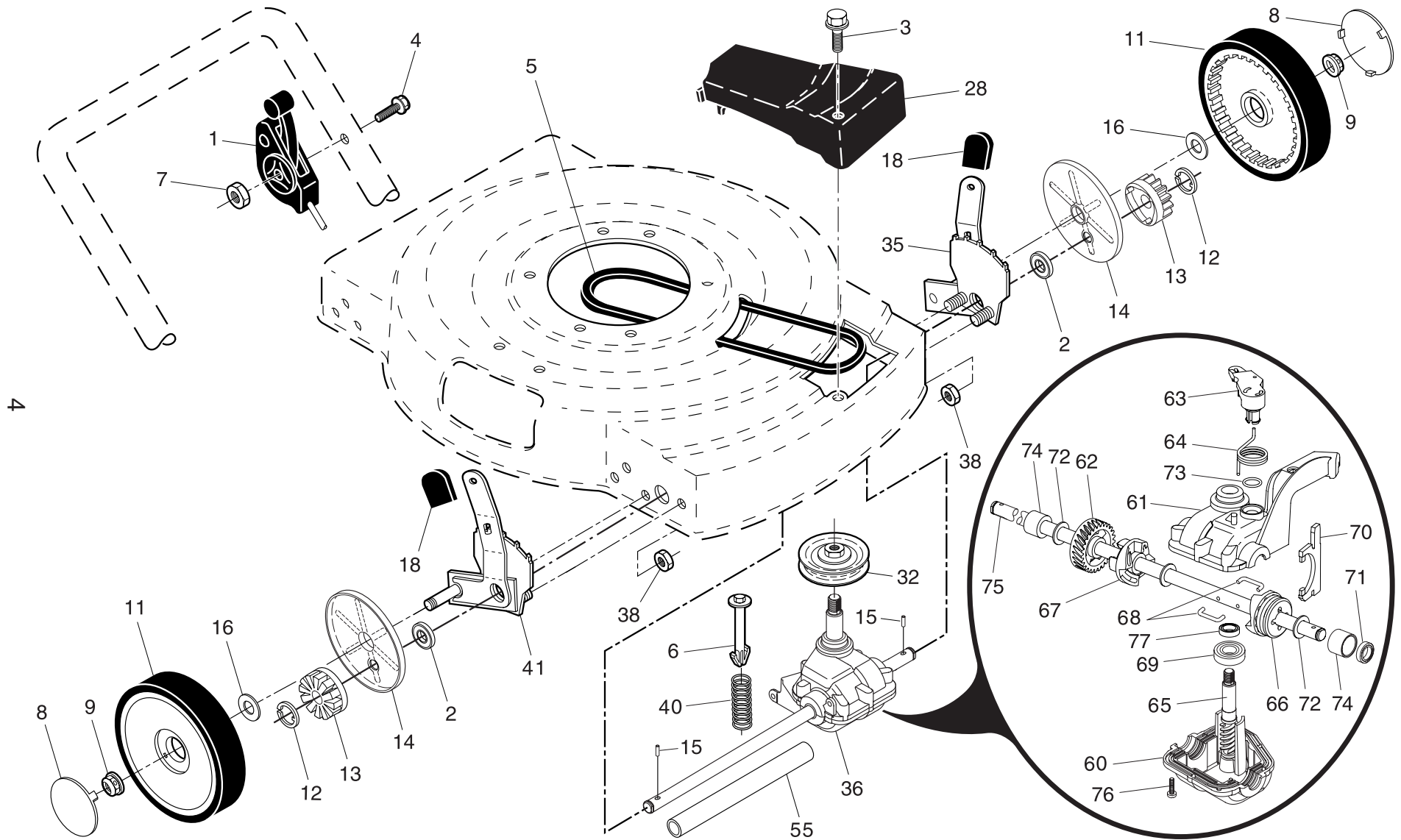
## ROTARY LAWN MOWER - - MODEL NUMBER **PR675Y22SHP** (MFG. ID. NUMBER 96122000401)

KEY NO.	PART NO.	DESCRIPTION	KEY NO.	PART NO.	DESCRIPTION
1	166860X479	Upper Handle	42	152124	Spring, Torsion
2	156581	Engine Zone Control Cable	43	73800400	Locknut, Hex 1/4-20
5	66426	Wire Tie	44	194628	Lawn Mower Housing (Includes Key Number 52)
6	189713X428	Handle Knob	45	147286	Rod, Hinge
8	146771	Control Bar	46	189179	Blade Adapter / Pulley
9	153282X479	Support Bracket, Handle, LH	47	192682	Blade, 22"
10	170345X479	Handle Bracket Assembly, RH	48	851074	Washer, Hardened
11	153350X479	Support Bracket, Handle, RH	49	850263	Washer, Lock, Helical Spring
12	170346X479	Handle Bracket Assembly, LH	50	851084	Screw, Hex Head 3/8-24 x 1-3/8 (Grade 8)
14	149741	Screw, Thread Cutting 5/16-18 x 3/4	52	107339X	Decal, Danger
16	54583	Screw, Support Rod	54	88348	Washer, Flat 3/8
17	165175X479	Rod, Support	55	188839X004	Mounting Bracket, Debris Shield
18	132004	Locknut, Keps 1/4-20	56	750097	Screw, Hex Washer Head #10-24 x 1/2
19	179585	Rope Guide	57	51793	Hairpin Cotter
20	189008	Rear Skirt	58	151590X479	Lower Handle
24	<b>192301X004</b>	Bracket, Rear Skirt	59	191574	Handle Bolt
25	83923	Locknut, Hex 3/18-16	60	74760612	Bolt, Hex Head 3/8-16 x 3/4
27	<b>195630</b>	Wheel & Tire Assembly, Rear, 14"	61	751592	Locknut, Hex 3/8-16
28	142748	Bolt, Shoulder 3/8-16 x 1	62	188784	Debris Shield
29	61651	Belleville Washer	63	192325	Screw
30	180413X004	Axle Arm Assembly	64	- - -	Engine, Briggs & Stratton, Model Number 125K02 (For engine service and replacement parts, call Briggs & Stratton at 1-800-233-3723)
31	170143	Knob, Selector			
32	700331X004	Spring, Selector	65	193498	Kit, Bushing, High Wheel
33	151889	Mulcher Door	66	193028X428	Bushing, Nylon, Black
34	146630	Spacer	67	188152	O-Ring
35	750085X007	Bracket, Wheel Adjuster	72	<b>192770</b>	Clip, Cable
36	154132	Bracket, Housing	--	162300	Warning Decal (not shown)
38	176509	Deflector, Discharge	--	193733	Operator's Manual, English
39	700168X479	Support Bracket, LH	--	193736	Operator's Manual, French
40	700166X479	Support Bracket, RH	--	<b>195341</b>	Repair Parts Manual, English / French
41	150406	Screw, Hex Head, Threaded, Rolled 3/8-16 x 1-1/8			

**NOTE:** All component dimensions given in U.S. inches. 1 inch = 25.4 mm.

**IMPORTANT:** Use only Original Equipment Manufacturer (O.E.M.) replacement parts. Failure to do so could be hazardous, damage your lawn mower and void your warranty.

# ROTARY LAWN MOWER - - MODEL NUMBER PR675Y22SHP (MFG. ID. NUMBER 96122000401)



# ROTARY LAWN MOWER - - MODEL NUMBER **PR675Y22SHP** (MFG. ID. NUMBER 96122000401)

5

KEY NO.	PART NO.	DESCRIPTION	KEY NO.	PART NO.	DESCRIPTION
1	184587	Control Cable Assembly	40	137090	Spring
2	<b>191039</b>	Bearing, Wheel Adjuster	41	<b>195107</b>	Kit, Wheel Adjuster, RH (Includes Knob and Bearing)
3	143603	Pan Head Tapping Screw #10-24 x 2-3/4	55	86012	Driveshaft Cover
4	158755	Hex Washer Head Screw 1/4-20 x 2.12	60	183497	Case, Lower (Use Dow Corning #709 to reseal)
5	146527	V-Belt	61	183498	Case, Upper (Use Dow Corning #709 to reseal)
6	150495	Spring Retainer	62	183499	Gear, 27 Teeth
7	191730	Nut, Hex, Flanged 1/4-20	63	183500	Lever, Clutch
8	77400	Hubcap	64	183501	Spring, Return
9	145212	Locknut	65	183502	Shaft, Input
11	<b>194854</b>	Wheel & Tire Assembly	66	183503	Dog, Movable
12	12000058	E-Ring	67	183504	Dog, Fixed
13	<b>750003</b>	Pinion	68	183505	Wire, Formed
14	189403	Dust Cover	69	183506	Bearing, Ball
15	<b>191017</b>	Pawl, Drive	70	183507	Fork, Shift
16	67725	Washer 1/2 x 1-1/2 x .134	71	183508	Seal, Output Shaft
18	170143	Selector Knob	72	183509	Washer
28	194398X428	Drive Cover	73	183510	Seal, Case
32	<b>194126</b>	Drive Pulley	74	183511	Bushing
35	<b>195110</b>	Kit, Wheel Adjuster, LH (Includes Knob and Bearing)	75	<b>196561</b>	Shaft, Output
36	<b>194936</b>	Gear Case Assembly, Complete	76	183513	Screw
38	73800400	Locknut, Hex 1/4-20	77	183514	Seal, Input Shaft

**NOTE:** All component dimensions given in U.S. inches. 1 inch = 25.4 mm.

**IMPORTANT:** Use only Original Equipment Manufacturer (O.E.M.) replacement parts. Failure to do so could be hazardous, damage your lawn mower and void your warranty.