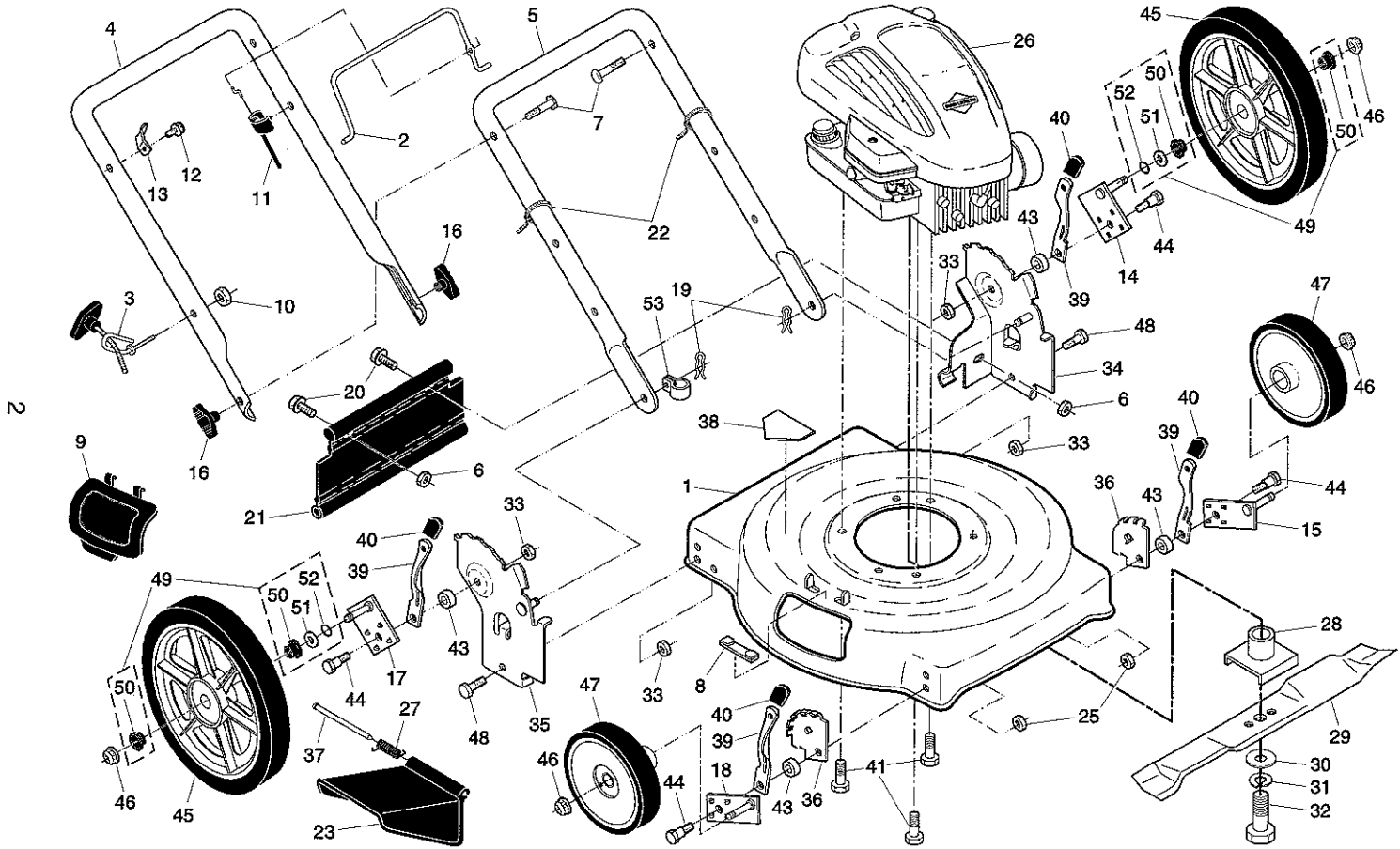


## ROTARY LAWN MOWER -- MODEL NUMBER 961140004 (96114000400)



## ROTARY LAWN MOWER -- MODEL NUMBER 961140004 (96114000400)

KEY NO.	PART NO.	DESCRIPTION	KEY NO.	PART NO.	DESCRIPTION
1	161657	Lawn Mower Housing (Includes Key Number 38)	30	851074	Hardened Washer
2	194177X428	Control Bar	31	850263	Helical Lockwasher 3/8
3	179585	Rope Guide	32	851084	Screw, Hex Head, Grade 8, 3/8-24 x 1-3/8
4	194179X479	Upper Handle	33	73800500	Nut, Hex, Nylock 5/16-18
5	169708X479	Lower Handle	34	170373X479	Wheel Bracket Support, LH
6	73800400	Locknut, Hex 1/4-20	35	170374X479	Wheel Bracket Support, RH
7	191574	Handle Bolt 5/16-18	36	160835X007	Wheel Bracket Adjuster
8	161622	Clip, Closeout	37	160833	Hinge Rod
9	160830	Mulcher Plate	38	141846	Danger Decal
10	132004	Nut, Hex 1/4-20	39	168360X004	Selector Spring
11	183281	Engine Zone Control Cable	40	87877	Selector Knob
12	750634	Hex Washer Head Screw #10-24 x 1/2	41	150406	Screw, Hex Head, Threaded, Rolled 3/8-16 x 1
13	86899X004	Up-Stop Bracket	43	183901	Spacer
14	180409X004	Axle Arm Assembly, Rear, LH	44	160828	Shoulder Bolt 5/16-18
15	186577X004	Axle Arm Assembly, Front, LH	45	189174	Wheel & Tire Assembly, Rear, 14"
16	189713X428	Knob, Handle	46	83923	Nut, Hex, Flangelock 3/8-16
17	180410X004	Axle Arm Assembly, Rear, RH	47	189483	Wheel & Tire Assembly, Front, 8"
18	186578X004	Axle Arm Assembly, Front, RH	48	74760514	Bolt, Hex Head 5/16-18
19	51793	Hairpin Cotter	49	193498	Kit, Bushing, High Wheel
20	74760412	Screw, Hex Cap Head 1/4-20	50	193028X428	Bushing, Nylon, Black
21	189008	Rear Deflector	51	88348	Washer, Flat 3/8
22	66426	Wire Tie	52	188152	O-Ring
23	160831	Discharge Guard	53	192770	Clip, Cable
25	166785	Nut, Hex, Flangelock 5/16-18	--	161058	Warning Decal (not shown)
26	---	Engine, Briggs & Stratton, Model Number 10M902 (For engine service and replacement parts, call Briggs & Stratton at 1-800-233-3723)	--	193732	Operator's Manual, English
27	193436	Torsion Spring	--	193735	Operator's Manual, Spanish
28	851514	Blade Adapter	--	195591	Repair Parts Manual
29	141114	22" Blade			

**NOTE:** All component dimensions given in U.S. inches  
1 inch = 25.4 mm