

LIMITED WARRANTY

The Manufacturer warrants to the original consumer purchaser that this product as manufactured is free from defects in materials and workmanship. For a period of two (2) years from date of purchase by the original consumer purchaser, we will repair or replace, at our option, without charge for parts or labor incurred in replacing parts, any part which we find to be defective due to materials or workmanship. This Warranty is subject to the following limitations and exclusions.

1. This warranty does not apply to the engine, transaxle/transmission components, battery (except as noted below) or components parts thereof. Please refer to the applicable manufacturer's warranty on these items.
2. Transportation charges for the movement of any power equipment unit or attachment are the responsibility of the purchaser. Transportation charges for any parts submitted for replacement under this warranty must be paid by the purchaser unless such return is requested by the manufacturer.
3. Battery Warranty: On products equipped with a Battery, we will replace, without charge to you, any battery which we find to be defective in manufacture, during the first ninety (90) days of ownership. After ninety (90) days, we will exchange the Battery, charging you 1/12 of the price of a new Battery for each full month from the date of the original sale. Battery must be maintained in accordance with the instructions furnished.
4. The Warranty period for any products used for rental or commercial purposes is limited to 45 days from the date of original purchase.
5. This Warranty applies only to products which have been properly assembled, adjusted, operated, and maintained in accordance with the instructions furnished. This Warranty does not apply to any product which has been subjected to alteration, misuse, abuse, improper assembly or installation, delivery damage, or to normal wear of the product.
6. Exclusions: Excluded from this Warranty are belts, blades, blade adapters, normal wear, normal adjustments, standard hardware and normal maintenance.
7. In the event you have a claim under this Warranty, you must return the product to an authorized service dealer.

Should you have any unanswered questions concerning this Warranty, contact:

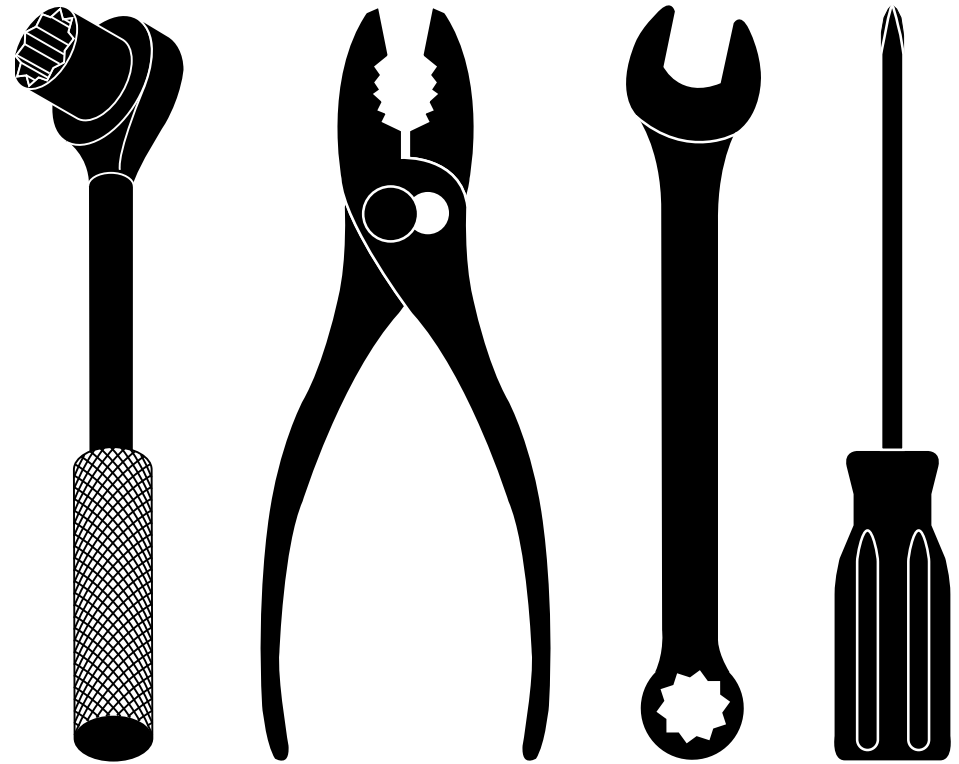
Weed Eater
Customer Service Department
9335 Harris Corners Parkway
Charlotte, NC 28269 USA

In Canada contact:
Weed Eater
Customer Service Department
5855 Terry Fox Way
Mississauga, Ontario L5V 3E4

giving the model number, serial number and date of purchase of your product and the name and address of the authorized dealer from whom it was purchased. THIS WARRANTY DOES NOT APPLY TO INCIDENTAL OR CONSEQUENTIAL DAMAGES AND ANY IMPLIED WARRANTIES ARE LIMITED TO THE SAME TIME PERIODS STATED HEREIN FOR OUR EXPRESSED WARRANTIES.

Some areas do not allow the limitation of consequential damages or limitations of how long an implied Warranty may last, so the above limitations or exclusions may not apply to you. This Warranty gives you specific legal rights, and you may have other rights which vary from locale to locale.

This is a limited Warranty within the meaning of that term as defined in the Magnuson-Moss Act of 1975.



REPAIR PARTS MANUAL MODEL NO. 96112011500 Rotary Lawn Mower

For Parts and Service or Technical Assistance, call 1-800-487-5951

WEED EATER®

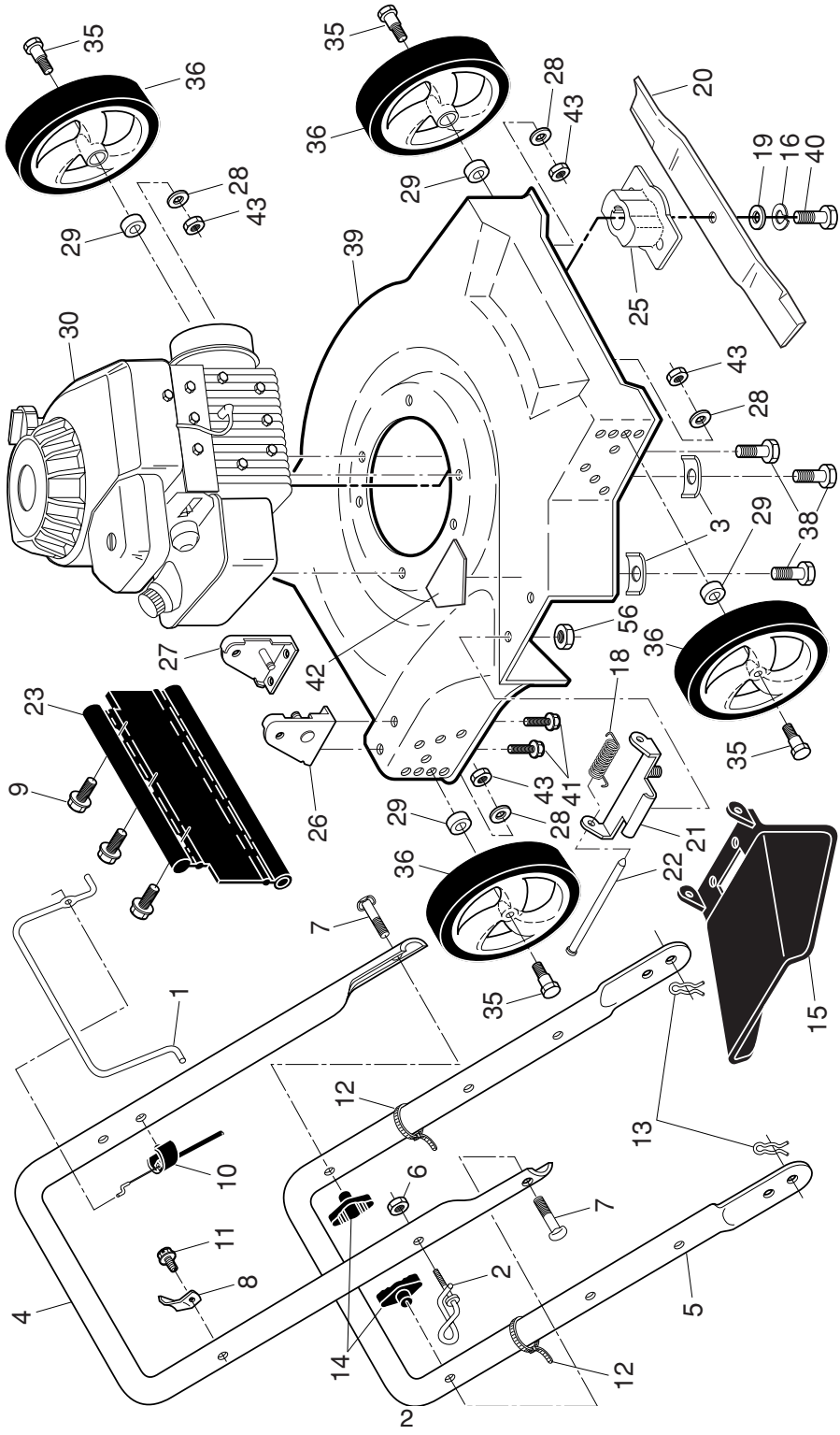
NOTE: Gasoline containing up to 10% ethanol (E10) is acceptable for use in this machine. The use of any gasoline exceeding 10% ethanol (E10) will void the product warranty.

532 44 56-27 Rev. 1 02.16.12 BY

Printed in U.S.A.

WEED EATER®

WEED EATER ROTARY LAWN MOWER -- MODEL NUMBER 96112011500



WEED EATER ROTARY LAWN MOWER -- MODEL NUMBER 96112011500

KEY NO.	PART NO.	DESCRIPTION
1	532 19 60-25	Control Bar
2	532 19 47-88	Rope Guide
3	532 12 50-78	Engine Washer
4	532 19 60-26	Upper Handle
5	532 15 50-44	Lower Handle
6	532 13 20-04	Nut, Hex 1/4-20
7	532 19 15-74	Bolt, Carriage
8	532 43 00-34	Up-Stop Bracket
9	532 18 92-41	Screw, Hex Washer Head, Self-Tapping #10-24 x 1/2
10	532 16 27-78	Cable, Engine Zone Control
11	532 17 88-48	Screw, Hex Washer Head #10-16 x 5/8
12	532 06 64-26	Wire Tie
13	532 05 17-93	Hairpin, Cotter
14	532 44 50-19	Knob, Handle
15	532 43 20-40	Discharge Guard
16	532 85 02-63	Helical Lock Washer
18	532 41 18-30	Spring, Hinge
19	532 85 10-74	Washer, Hardened
20	532 14 51-06	Blade, 20"
21	532 08 86-02	Bracket, Hinge

KEY NO.	PART NO.	DESCRIPTION
22	532 15 02-15	Rod, Hinge
23	532 18 92-39	Rear Skirt
25	532 85 09-77	Blade Adapter
26	532 17 09-75	Handle Bracket Assembly, RH
27	532 17 09-77	Handle Bracket Assembly, LH
28	532 06 15-37	Washer
29	532 13 66-24	Spacer
30	---	Engine, Briggs & Stratton, Model No. 9L602-1611-F1 (For engine service and replacement parts, call Briggs & Stratton at 1-800-233-3723)

35	532 06 76-09	Bolt, Shoulder 3/8-16 x 2-1/2
36	532 44 21-83	Wheel & Tire Assembly
38	532 15 04-06	Screw, Hex Head, Threaded, Rolled 3/8-16 x 1 Housing Kit
39	532 43 77-00	Screw, Hex Head, Machine, Grade 8, 3/8-24 x 1-3/8
40	532 85 10-84	Screw
41	532 14 97-41	Danger Decal
42	532 40 47-63	Nut, Hex, Nylock 3/8-16
43	873 93 06-00	Locknut, Hex 1/4-20
56	873 80 04-00	Decal, Warning
--	532 40 47-64	Operator's Manual, English
--	532 19 37-47	Operator's Manual, Spanish
--	532 19 37-50	Replacement Parts Manual, English
--	532 44 56-27	Replacement Parts Manual, English

IMPORTANT: Use only Original Equipment Manufacturer (O.E.M.) replacement parts. Failure to do so could be hazardous, damage your lawn mower and void your warranty.

NOTE: All component dimensions given in U.S. inches. 1 inch = 25.4 mm.