

LIMITED WARRANTY

The Manufacturer warrants to the original consumer purchaser that this product as manufactured is free from defects in materials and workmanship. For a period of two (2) years from date of purchase by the original consumer purchaser, we will repair or replace, at our option, without charge for parts or labor incurred in replacing parts, any part which we find to be defective due to materials or workmanship. This Warranty is subject to the following limitations and exclusions.

1. This warranty does not apply to the engine, transaxle/transmission components, battery (except as noted below) or components parts thereof. Please refer to the applicable manufacturer's warranty on these items.
2. Transportation charges for the movement of any power equipment unit or attachment are the responsibility of the purchaser. Transportation charges for any parts submitted for replacement under this warranty must be paid by the purchaser unless such return is requested by the manufacturer.
3. Battery Warranty: On products equipped with a Battery, we will replace, without charge to you, any battery which we find to be defective in manufacture, during the first ninety (90) days of ownership. After ninety (90) days, we will exchange the Battery, charging you 1/12 of the price of a new Battery for each full month from the date of the original sale. Battery must be maintained in accordance with the instructions furnished.
4. The Warranty period for any products used for rental or commercial purposes is limited to 45 days from the date of original purchase.
5. This Warranty applies only to products which have been properly assembled, adjusted, operated, and maintained in accordance with the instructions furnished. This Warranty does not apply to any product which has been subjected to alteration, misuse, abuse, improper assembly or installation, delivery damage, or to normal wear of the product.
6. Exclusions: Excluded from this Warranty are belts, blades, blade adapters, normal wear, normal adjustments, standard hardware and normal maintenance.
7. In the event you have a claim under this Warranty, you must return the product to an authorized service dealer.

Should you have any unanswered questions concerning this Warranty, contact:

Poulan Pro
Customer Service Department
9335 Harris Corners Parkway
Charlotte, NC 28269 USA

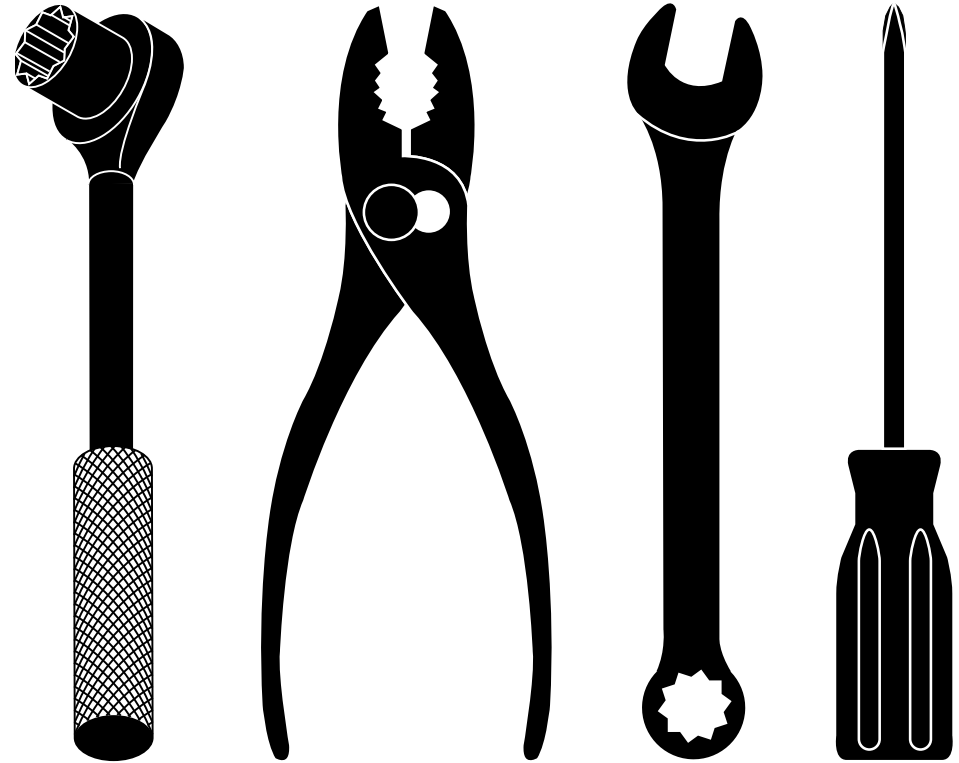
In Canada contact:
Poulan Pro
Customer Service Department
5855 Terry Fox Way
Mississauga, Ontario L5V 3E4

giving the model number, serial number and date of purchase of your product and the name and address of the authorized dealer from whom it was purchased.

THIS WARRANTY DOES NOT APPLY TO INCIDENTAL OR CONSEQUENTIAL DAMAGES AND ANY IMPLIED WARRANTIES ARE LIMITED TO THE SAME TIME PERIODS STATED HEREIN FOR OUR EXPRESSED WARRANTIES.

Some areas do not allow the limitation of consequential damages or limitations of how long an implied Warranty may last, so the above limitations or exclusions may not apply to you. This Warranty gives you specific legal rights, and you may have other rights which vary from locale to locale.

This is a limited Warranty within the meaning of that term as defined in the Magnuson-Moss Act of 1975.



REPAIR PARTS MANUAL

MODEL NO. PR500N22S

MFG. ID. NO. 96112011303

Rotary Lawn Mower

For Parts and Service or Technical Assistance, call 1-800-487-5951

Poulan PRO

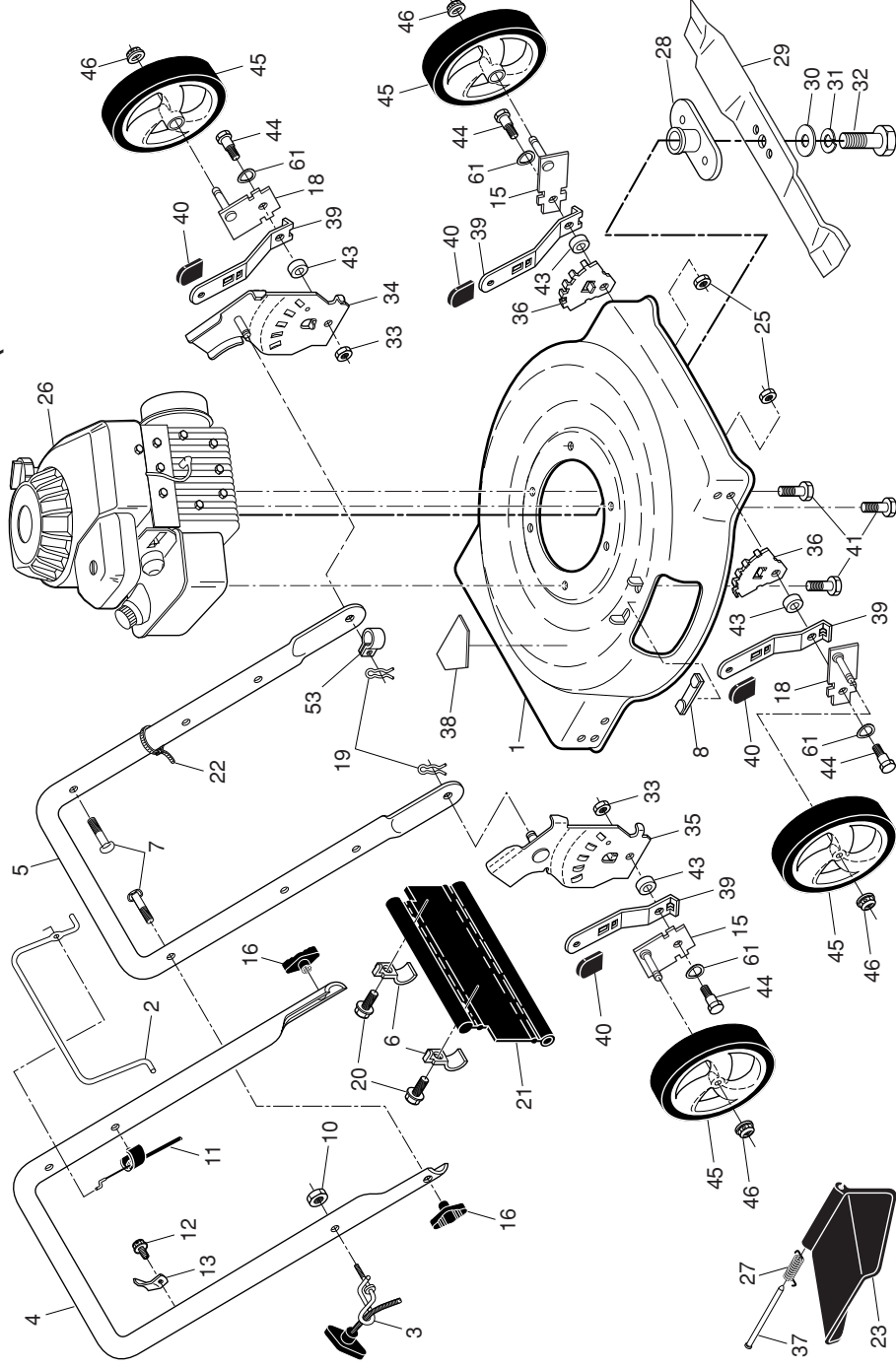
NOTE: Gasoline containing up to 10% ethanol (E10) is acceptable for use in this machine. The use of any gasoline exceeding 10% ethanol (E10) will void the product warranty.

532 44 85-82 01.12.12 BY

Printed in U.S.A.

Poulan PRO

POULAN PRO ROTARY LAWN MOWER - MODEL NO. PR500N22S (MFG. ID. NO. 96112011303)



2

POULAN PRO ROTARY LAWN MOWER - MODEL NO. PR500N22S (MFG. ID. NO. 96112011303)

KEY NO.	PART NO.	DESCRIPTION	KEY NO.	PART NO.	DESCRIPTION
1	532 43 77-20	Kit, Housing (Includes Key Number 38)	27	532 40 85-85	Torsion Spring
2	532 44 73-65	Control Bar	28	532 85 09-77	Blade Adapter
3	532 19 47-88	Rope Guide	29	532 40 67-13	22" Blade
4	532 44 82-63	Upper Handle	30	532 85 10-74	Hardened Washer
5	532 43 45-14	Lower Handle	31	532 85 02-63	Helical Lockwasher 3/8
6	532 43 63-72	Bracket, Rear Skirt	32	532 85 10-84	Bolt, Flanged, Grade 8, 3/8-24 x 1-1/2
7	532 19 15-74	Handle Bolt 5/16-18	33	873 93 05-00	Nut, Hex, Flangelock 5/16-18
8	532 16 16-22	Clip, Closeout	34	532 40 34-56	Wheel Bracket Support (Left)
10	532 13 20-04	Locknut, Hex 1/4-20	35	532 40 34-57	Wheel Bracket Support (Right)
11	532 44 09-34	Engine Zone Control Cable	36	532 41 05-94	Wheel Bracket Adjuster
12	532 17 88-48	Screw, Hex Washer Head #10-16 x 5/8	37	532 16 08-33	Hinge Rod
13	532 43 00-34	Up-Stop Bracket	38	532 40 47-63	Danger Decal
15	532 40 66-89	Axle Arm Assembly, Left Front & Right Rear	39	532 40 64-28	Selector Spring
16	532 44 50-19	Handle Knob	40	532 17 01-43	Selector Knob
18	532 40 66-90	Axle Arm Assembly, Right Front & Left Rear	41	532 15 04-06	Screw, Hex Head, Threaded, Rolled 3/8-16 x 1
19	532 05 17-93	Hairpin Cotter	43	532 40 16-29	Spacer
20	532 75 00-97	Screw, Tapping, Hex Washer Head #10-24	44	532 40 16-38	Shoulder Bolt 5/16-18 x .33
21	532 41 31-60	Rear Skirt	45	532 44 03-56	Wheel & Tire Assembly
22	532 06 64-26	Wire Tie	46	532 40 91-48	Nut, Hex, Flangelock 3/8-16
23	532 16 08-31	Discharge Guard	53	532 19 79-91	Clip, Cable
25	532 42 65-89	Nut, Hex, Flangelock 5/16-18	61	532 40 16-30	Washer, Curved, Cylindrical
26	---	Engine, Briggs & Stratton, Model Number 10T502-1316-B1 (For engine service and replacement parts, call Briggs & Stratton at 1-800-233-3723)	--	532 40 47-64	Warning Decal (not shown)
			--	532 19 37-32	Operator's Manual, English
			--	532 19 37-34	Operator's Manual, French
			--	532 44 85-82	Repair Parts Manual

3

IMPORTANT: Use only Original Equipment Manufacturer (O.E.M.) replacement parts. Failure to do so could be hazardous, damage your lawn mower and void your warranty.

NOTE: All component dimensions given in U.S. inches. 1 inch = 25.4 mm.