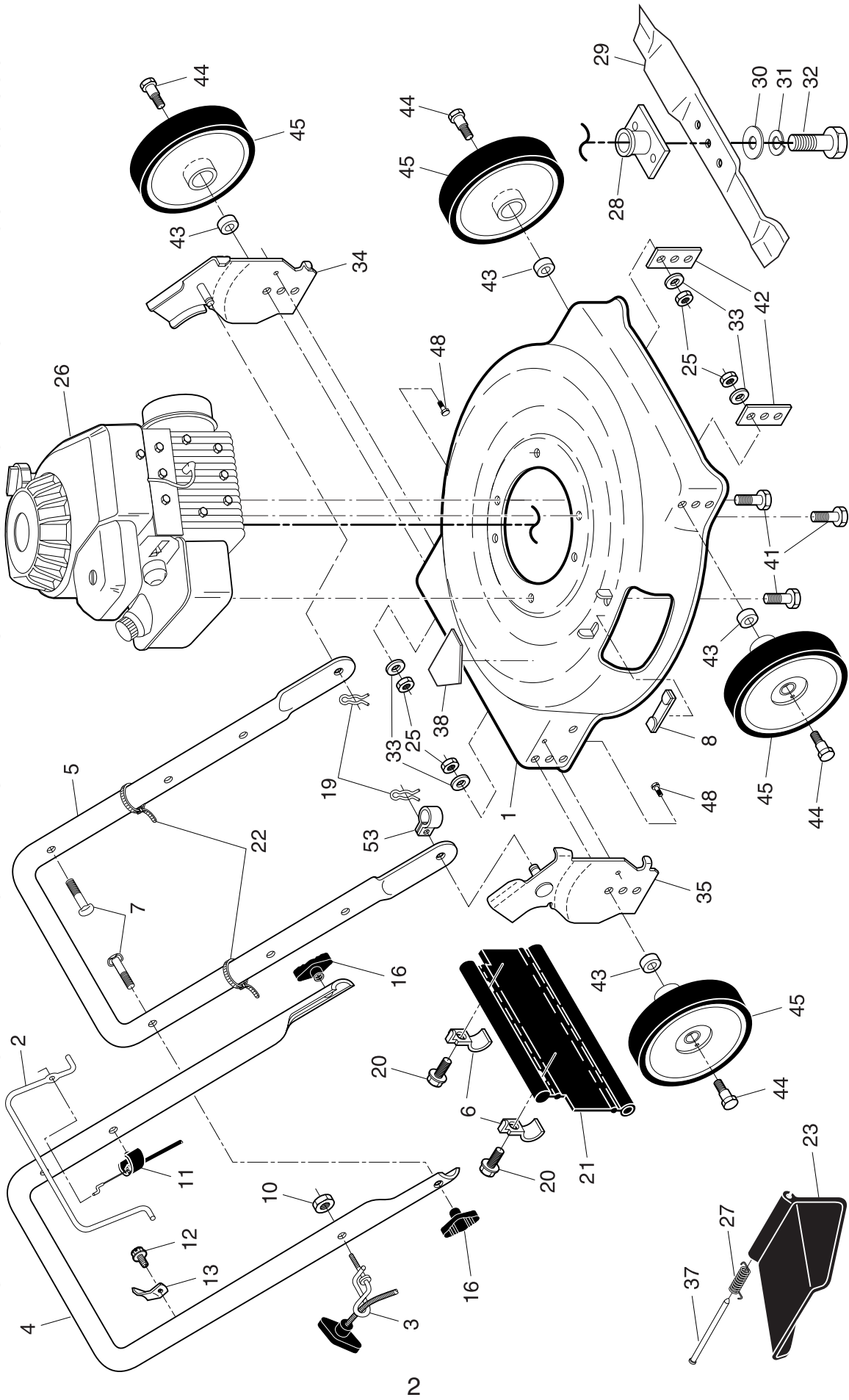


**ROTARY LAWN MOWER -- MODEL NUMBER PO4N22S MFG. ID. NUMBER 96112002300**



# ROTARY LAWN MOWER - - MODEL NUMBER PO4N22S MFG. ID. NUMBER 96112002300

KEY NO.	PART NO.	DESCRIPTION	KEY NO.	PART NO.	DESCRIPTION
1	402266	Lawn Mower Housing (Includes Key Number 38)	27	193436	Torsion Spring
2	194177X428	Control Bar	28	193825	Blade Adapter
3	194788	Rope Guide	29	141114	22" Blade
4	194179X479	Upper Handle	30	851074	Hardened Washer
5	169708X479	Lower Handle	31	850263	Helical Lockwasher 3/8
6	192301X004	Bracket, Rear Skirt	32	851084	Screw, Hex Head 3/8-24 x 1-3/8 Grade 8
7	191574	Handle Bolt 5/16-18	33	61537	Washer, Flat
8	161622	Clip, Closeout	34	401233X479	Wheel Bracket Support, LH
10	132004	Locknut, Hex 1/4-20	35	401234X479	Wheel Bracket Support, RH
11	158152	Engine Zone Control Cable	37	160833	Hinge Rod
12	750634	Hex Washer Head Screw #10-24 x 1/2	38	107339X	Danger Decal
13	86899X004	Up-Stop Bracket	41	150406	Screw, Hex Head, Threaded, Rolled 3/8-16 x 1
16	189713X428	Knob, Handle	42	401219X479	Support Bracket
19	51793	Hairpin Cotter	43	400341	Spacer
20	750097	Screw	44	400342	Shoulder Bolt
21	188987	Rear Skirt	45	193931X617	Wheel & Tire Assembly 7 x 1-3/4
22	66426	Wire Tie	48	17600406	Screw, Hex Head, Serrated, Type TT 1/4 x 20
23	160831	Discharge Guard	53	197991	Clip, Cable
25	751592	Nut, Hex	--	162300	Warning Decal (not shown)
26	---	Engine, Briggs & Stratton, Model Number 10J902 (for engine service and replacement parts, call Briggs & Stratton at 1-800-233-3723)	--	193732	Operator's Manual, English
			--	193734	Operator's Manual, French
			--	402265	Repair Parts Manual

**IMPORTANT:** Use only Original Equipment Manufacturer (O.E.M.) replacement parts. Failure to do so could be hazardous, damage your lawn mower and void your warranty.

**NOTE:** All component dimensions given in U.S. inches. 1 inch = 25.4 mm.