

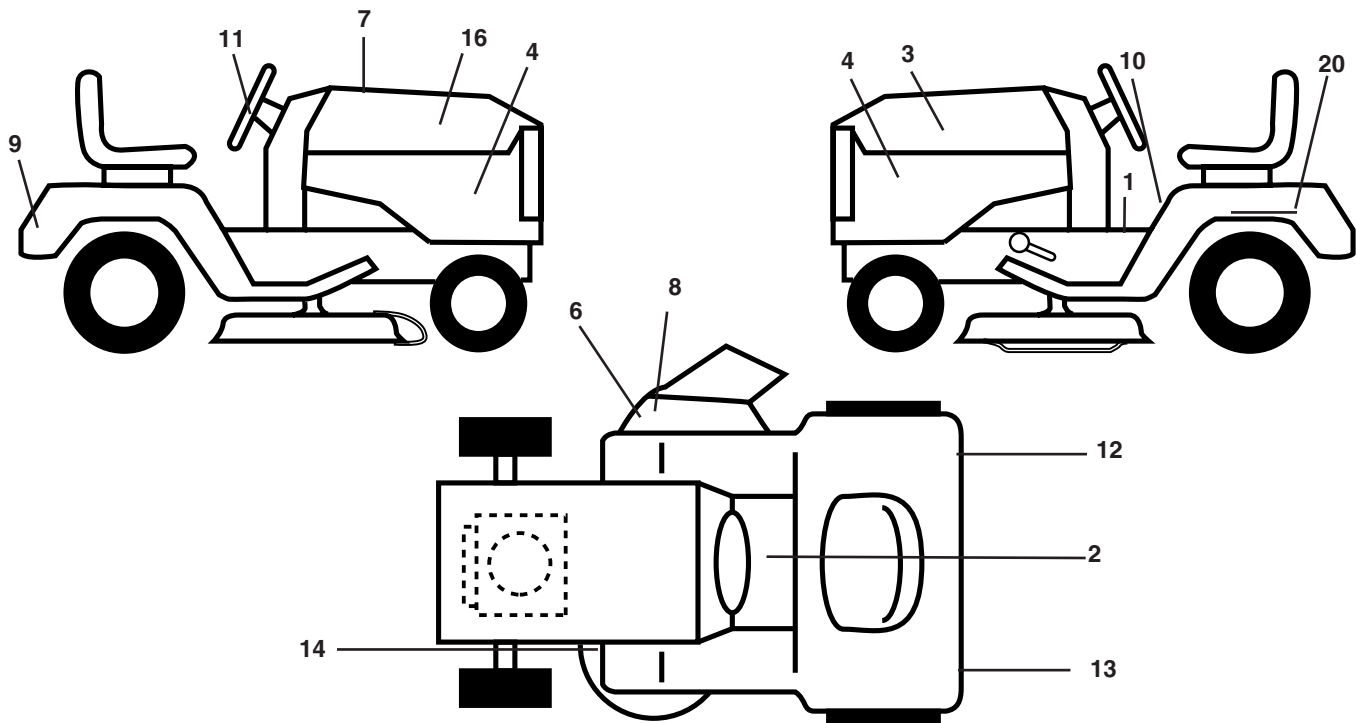
ILLUSTRATED PARTS LIST

MFG ID NO. 96017000201

CUSTOMER CATALOG NO. PK20H42YT

TRACTOR - - MODEL NUMBER PK20H42YT (96017000201)

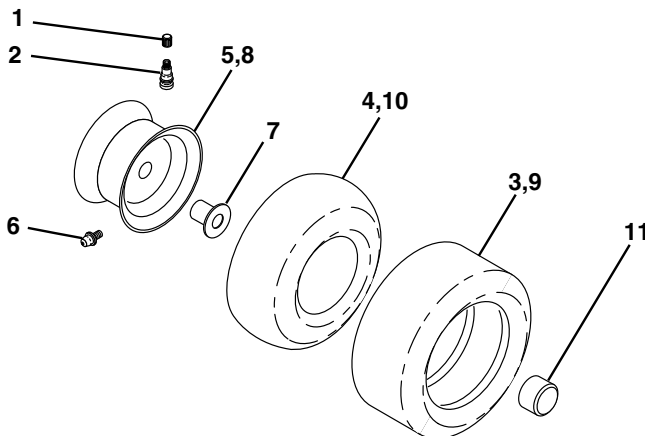
DECALS



KEY NO.	PART NO.	DESCRIPTION
1	193939	Decal Oper
2	186503	Decal Dash
3	197071	Decal Hood LH
4	197000	Decal Side Panel Logo
6	170563	Decal Warning, Keep Hand Away
7	197069	Decal Replacement Parts
8	179128	Decal Deck "B" 42"
9	158166	Decal Fender Logo
10	157140	Decal Fender Danger E/F
11	184928	Decal Ins Strg Whl
12	173587	Decal Fend Reflector Rh

KEY NO.	PART NO.	DESCRIPTION
13	173589	Decal Fend Reflector Lh
14	160396	Decal V-Belt Schematic
16	197070	Decal Hood Rh
20	145005	Decal Bat Dan/Psn
--	166960	Decal By Pass Lt Hydro
--	184310X428	Pad Footrest LH
--	184311X428	Pad Footrest RH
--	197046	Manual Operator's (English & French)
--	199416	Manual Parts

WHEELS AND TIRES



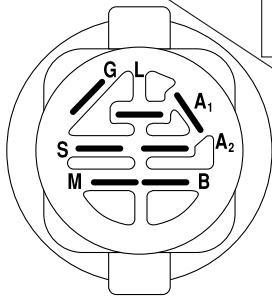
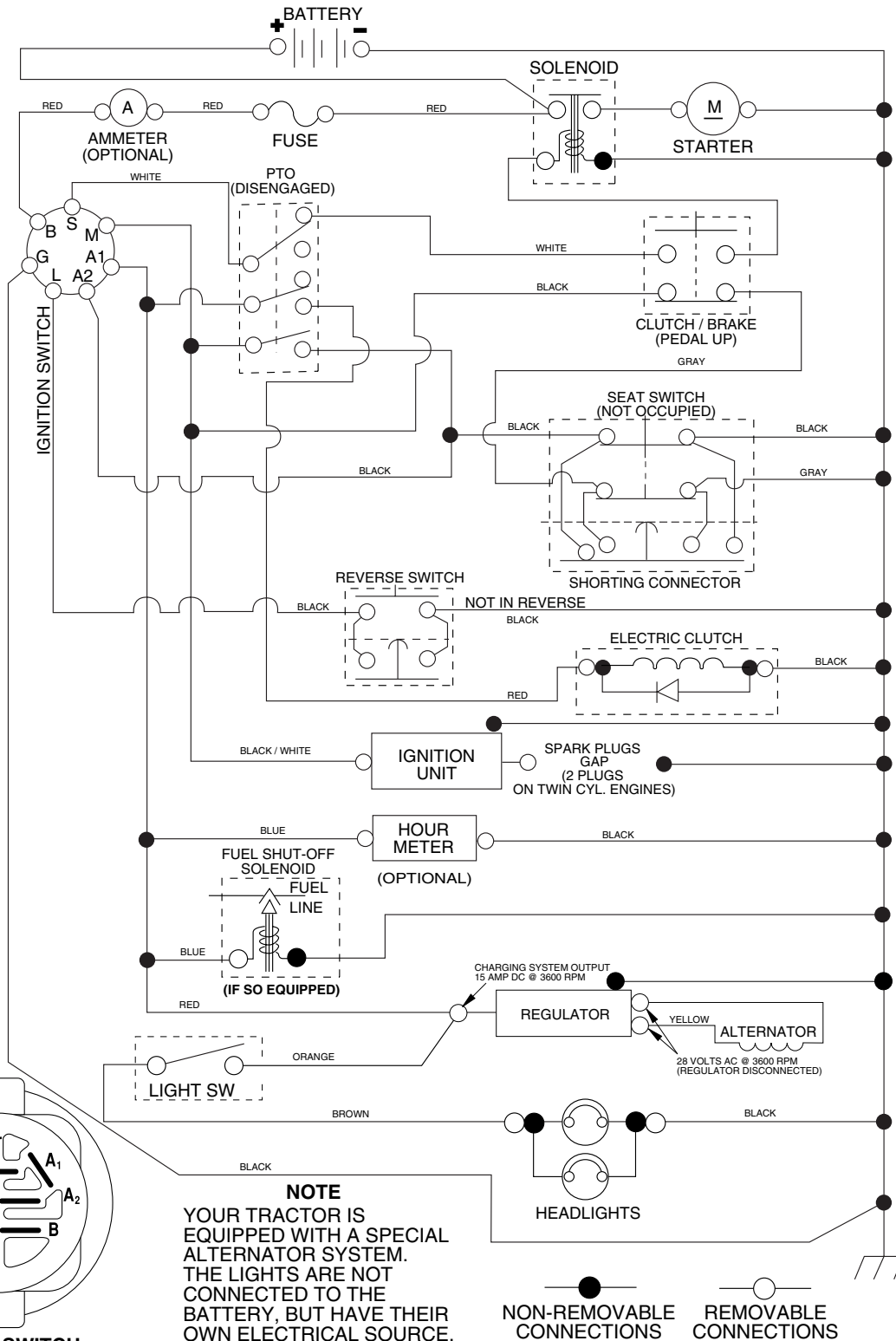
KEY NO.	PART NO.	DESCRIPTION
1	59192	Cap Valve Tire
2	65139	Stem Valve
3	106222X	Tire F T 15 x 6 0 - 6 Service
4	59904	Tube Front (Service Item Only)
5	106732X624	Rim Asm 6" front Service
6	278H	Fitting Grease (Front Wheel Only)
7	9040H	Bearing Flange (Front Wheel nly)
8	106108X624	Rim Asm 8" rear Service
9	138468	Tire RT 20 x 8-8 Service
10	7152J	Tube Rear (Service Item Only)
11	104757X428	Cap Axle Blk 1 50 x 1 00
--	144334	Sealant, Tire (10 oz. Tube)

NOTE: All component dimensions given in U.S. inches
1 inch = 25.4 mm

TRACTOR - - MODEL NUMBER PK20H42YT (96017000201)

SCHEMATIC

02843_193389



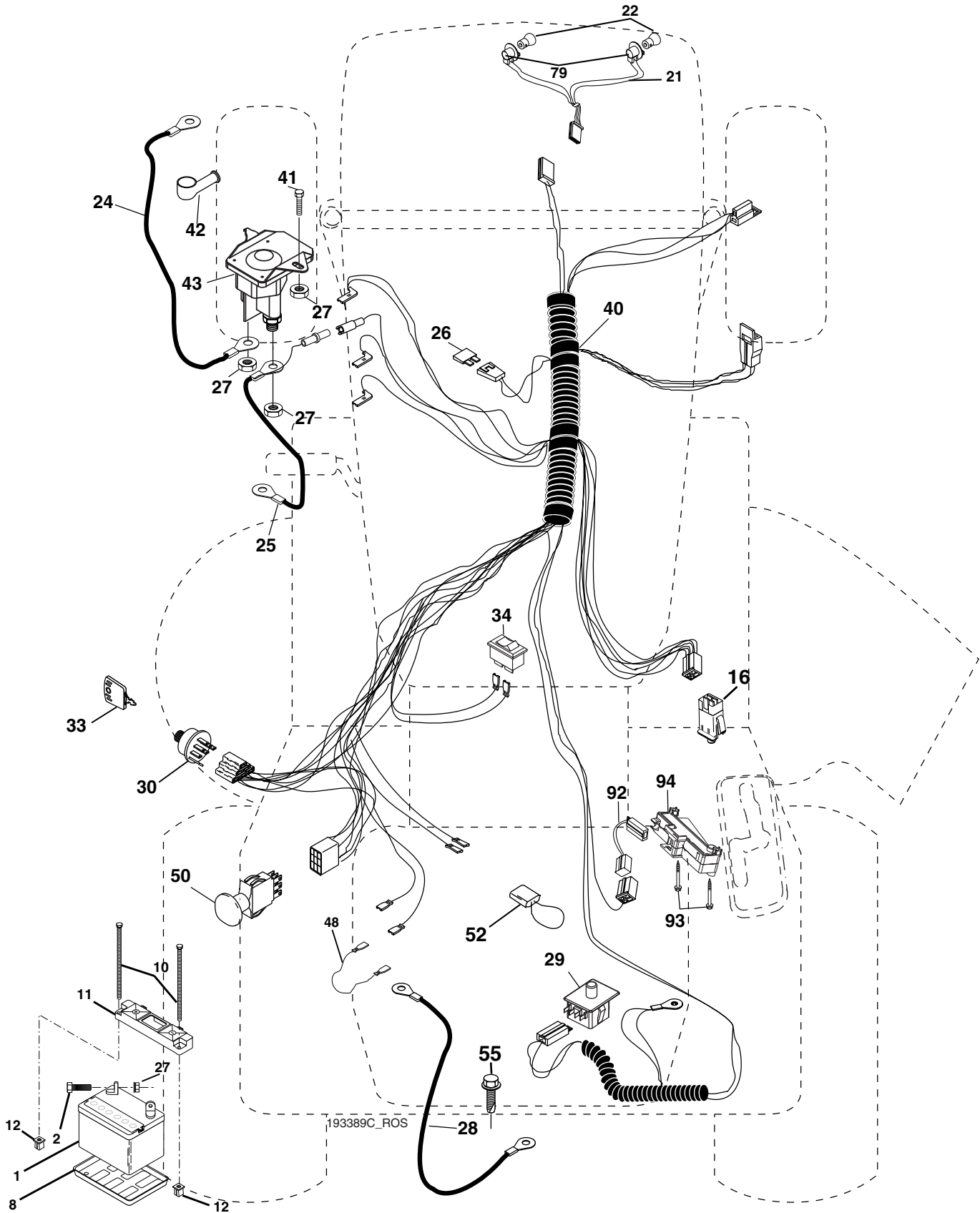
IGNITION SWITCH

POSITION	CIRCUIT "MAKE"
OFF	M+G+A1
RUN/OVERRIDE	B+A1
RUN	B+A1 L+A2
START	B + S + A1

02843

TRACTOR - - MODEL NUMBER PK20H42YT (96017000201)

ELECTRICAL



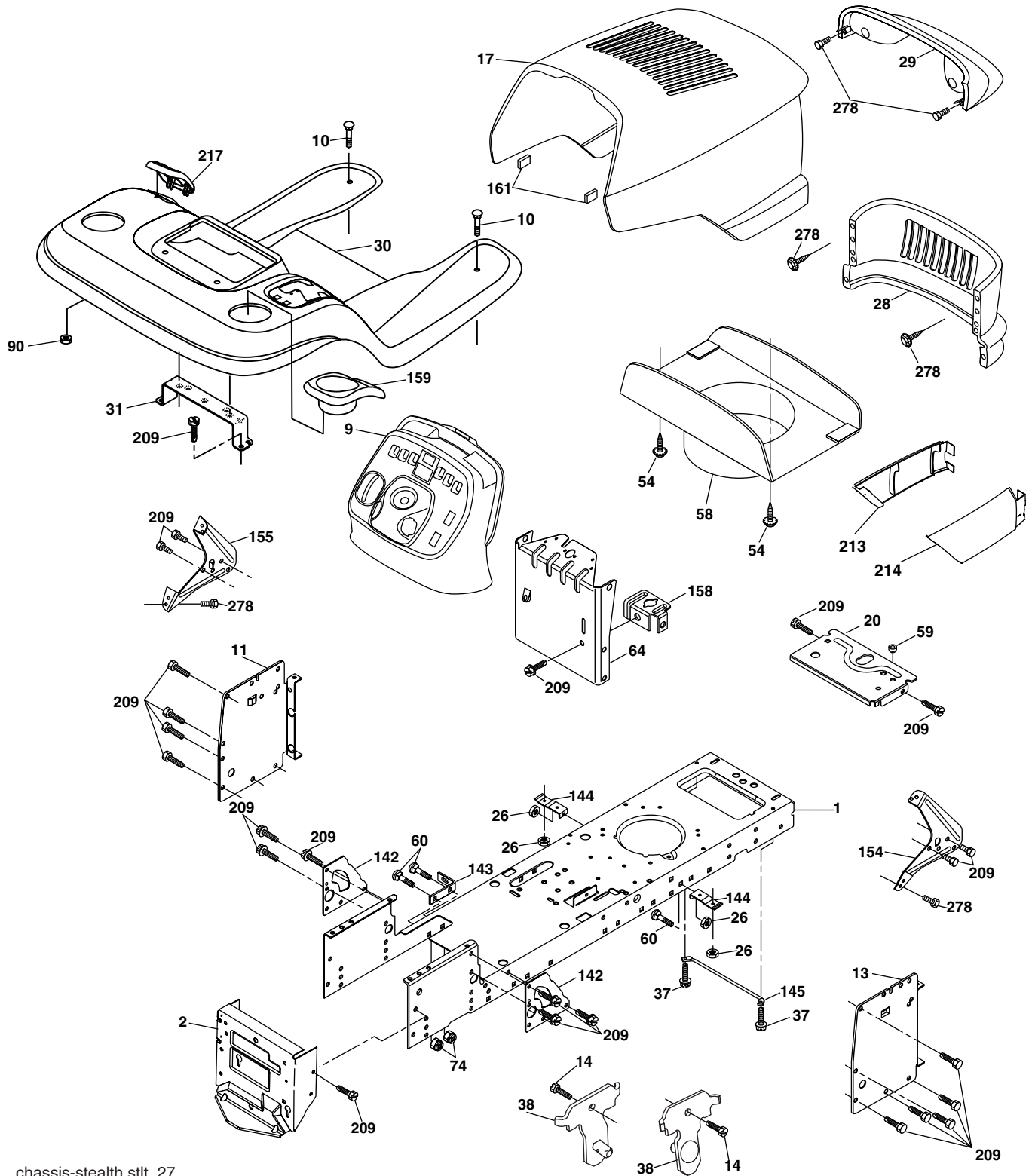
TRACTOR - - MODEL NUMBER PK20H42YT (96017000201)
ELECTRICAL

KEY NO.	PART NO.	DESCRIPTION
1	144927	Battery
2	74760412	Bolt Hex Hd 1/4-20 unc x 3/4
8	7603J	Tray Battery
10	145211	Bolt Battery Front 1/4-20 x 7.5
11	150109	Holddown Battery
12	145769	Nut Push Nylon 1/4
16	176138	Switch Interlock
21	175688	Harness Socket Light
22	4152J	Bulb, Light # 1156
24	8860R	Cable Battery
25	146148	Cable Battery 6 Ga. Red w/16 wire
26	175158	Fuse
27	73510400	Nut Keps Hex 1/4-20 unc
28	145491	Cable Ground 21" Blk 6 Ga.
29	192749	Switch Seat
30	193350	Switch Ign
33	140401	Key Ign Molded Generic
34	110712X	Switch Light/Reset
40	193389	Harness Ign
41	17720408	Bolt Fin Hex 1/4-20 unc x 1/2
42	131563	Cover Terminal Red
43	192507	Solenoid
48	140844	Adaptor Ameter
50	174653	Switch PTO
52	141940	Protection Loop
55	17490508	Screw Thdrol 5/16-18 x 1/2
79	175242	Socket Asm Bulb Twistlock
92	193465	Harness Pigtail Reverse Switch
93	192540	Screw Plastite 10-14 x 2.0
94	191834	Module Revers ROS

NOTE: All component dimensions given in U.S. inches
1 inch = 25.4 mm

TRACTOR - - MODEL NUMBER PK20H42YT (96017000201)

CHASSIS



chassis-stealth.stlt_27

TRACTOR - - MODEL NUMBER PK20H42YT (96017000201)

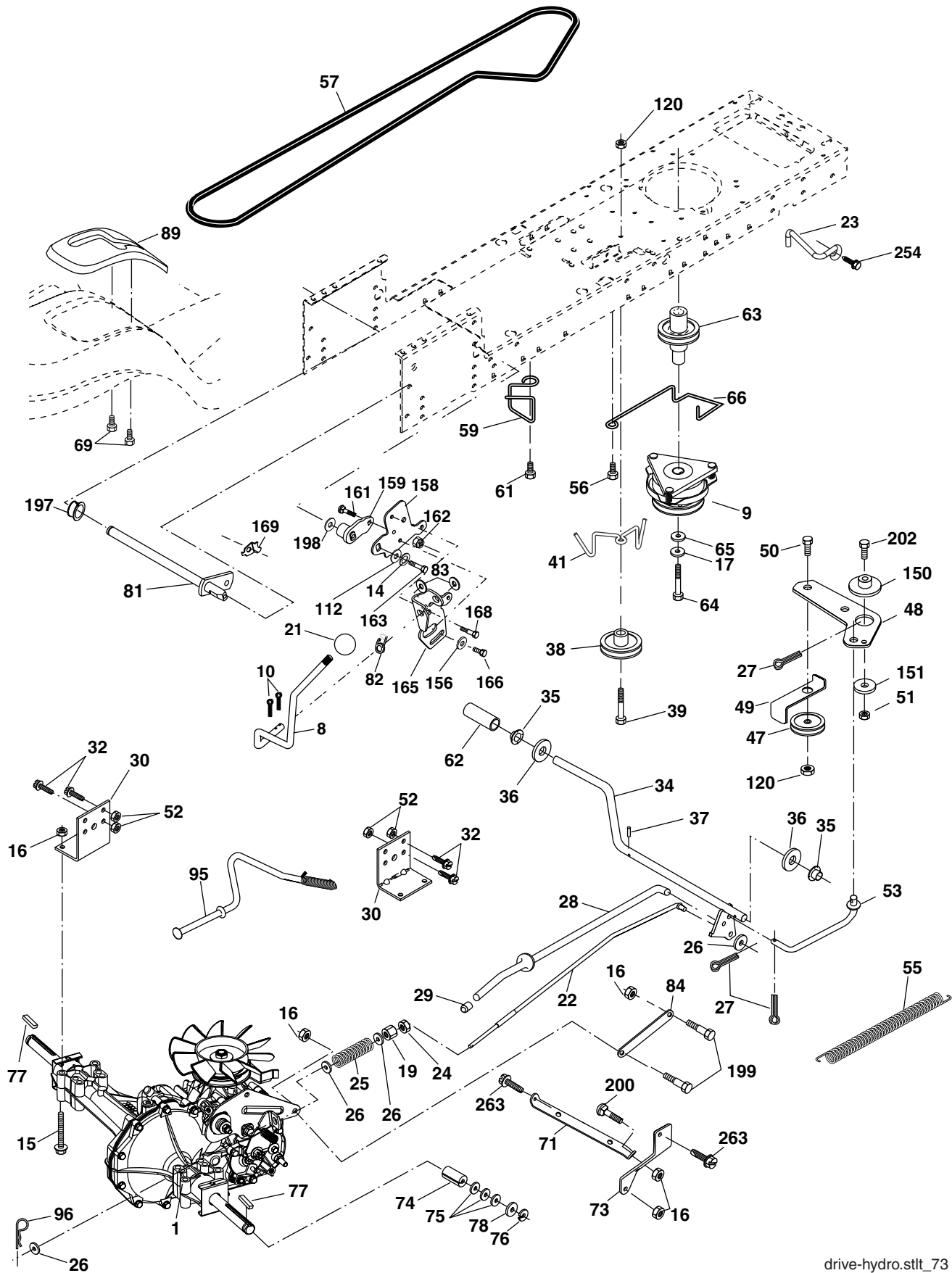
CHASSIS

KEY NO.	PART NO.	DESCRIPTION
1	174619	Chassis
2	176554	Drawbar
9	193635X428	Dash
10	72140608	Bolt Carriage 3/8-16 x 1
11	167203	Panel Dash Lh
13	188702X010	Panel Dash Rh
14	17490608	Screw Thdrol 3/8-16 x 1/2
17	175260X428	Hood
20	162026	Plate Battery
26	73800600	Nut Lock Hex W/Ins 3/8-16 unc
28	175289X428	Grille
29	161840	Lens Bar
30	192395X428	Fender Footrest
31	139976	Bracket Fender
37	17490508	Screw Thdrol 6/16-18 x 1/2 TYT
38	175710	Bracket Asm Pivot Mower Rear
54	192512	Screw WSHD Hex 10-32 x 5/8
58	175351	Duct Air
59	187495	Bushing
60	72140606	Bolt RDHD Sqnk 3/8-16 unc x 3/4
64	174997	Dash Lower STLT
74	73680600	Nut Crownlock 3/8-16 unc
90	124346X	Nut Self Thd Wsh - HD 1/4 Zinc
142	175702	Plate Reinforcement STLT
143	186689	Bracket Swaybar Chassis
144	175582	Bracket Footrest Step-thru
145	156524	Rod Pivot Chassis/Hood
154	161897	Bracket Dash RH
155	161900	Bracket Dash LH
158	162037	Bracket Parking Brake
159	191120X428	Cupholder
161	164655	Bumper Hood
206	170165	Bolt Shoulder 5/16-18
209	17000612	Screw Hexwsh Thdr 3/8-16 x 3/4
213	169848X428	Skirt Grille LH
214	169847X428	Skirt Grille RH
217	179132X428	Console Fuel Window
278	191611	Screw 10 x 3/4 Single Lead-Hex

NOTE: All component dimensions given in U.S. inches
1 inch = 25.4 mm

TRACTOR - - MODEL NUMBER PK20H42YT (96017000201)

DRIVE



drive-hydro.stlt_73

TRACTOR - - MODEL NUMBER PK20H42YT (96017000201)

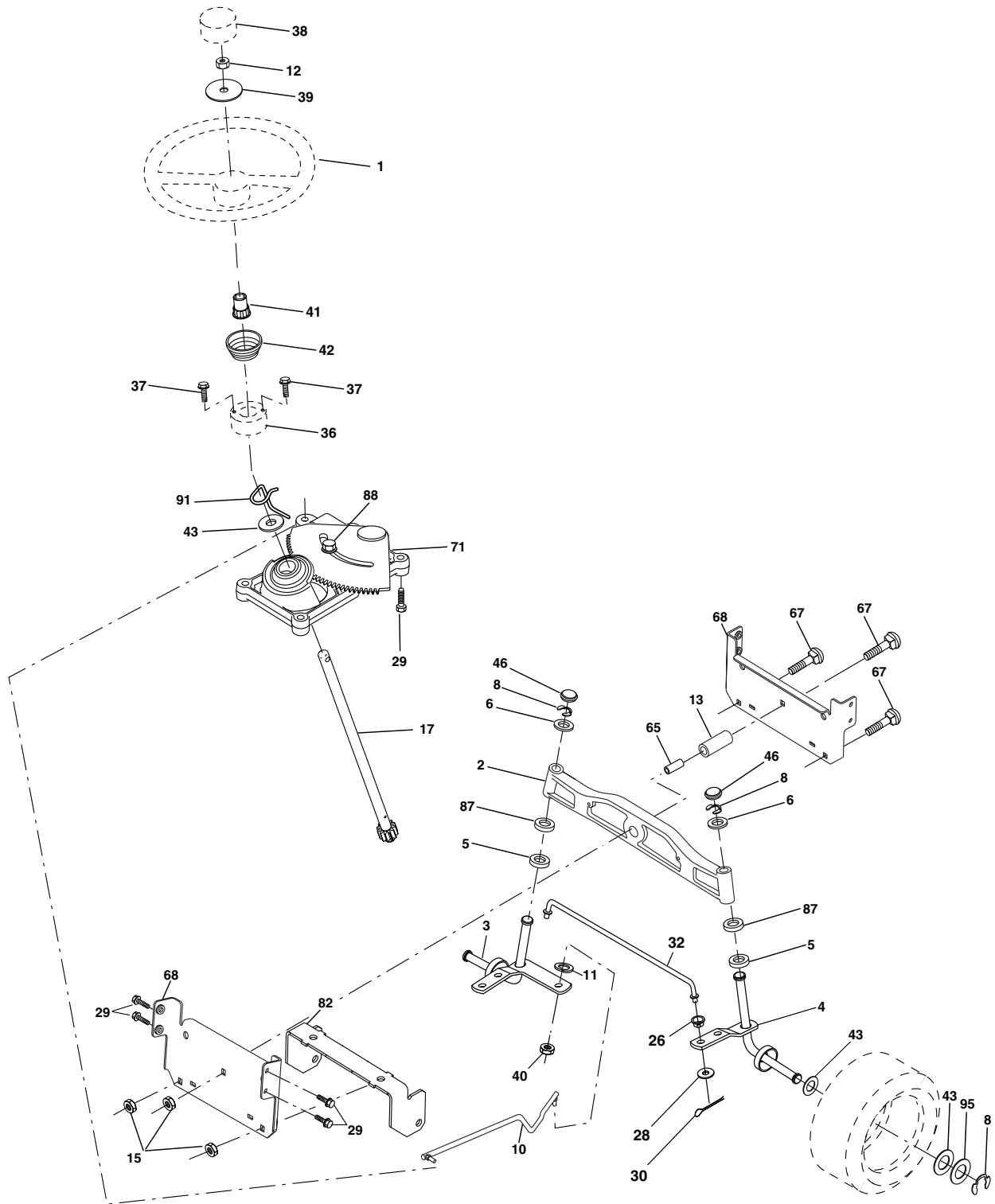
DRIVE

KEY NO.	PART NO.	DESCRIPTION	KEY NO.	PART NO.	DESCRIPTION
1	-----	Transaxle Hydro Gear 314-0510 (Order Parts From Transaxle Manufacturer)	63	174607	Pulley, Engine
8	192502	Rod Shift	64	173937	Bolt Hex 7/16-20 x 4 x Gr. 5-1.5 Thr
9	180505	Clutch Ogura	65	10040700	Washer
10	76020416	Pin Cotter 1/8 x 1 CAD	66	154778	Keeper Belt Engine
14	10040400	Washer Lock Hvy Helical	69	142432	Screw Hex Wsh Hi-Lo 1/4 x 1/2 unc
15	74490544	Bolt, Hex FLGHD 5/16-18 Gr. 5	71	169183	Strap Torque Lh Hydro
16	73800500	Nut Lock Hex W/Ins 5/16-18 unc	73	169182	Strap Torque Rh Hydro
17	126197X	Washer	74	137057	Spacer, Axle
19	73800600	Nut Lock Hex W/Wsh 3/8-16 unc	75	121749X	Washer 25/32 x 1-1/4 x 16 Ga.
21	140845	Knob	76	12000001	E-Ring
22	169498	Rod, Brake Hydro	77	123583X	Key, Square
23	190736	Bracket Anti Rotation	78	121748X	Washer 25/32 x 1-5/8 x 16 Ga.
24	73350600	Nut	81	165596	Shaft Asm. Cross Hydro
25	106888X	Spring, Brake Rod	82	165711	Spring Torsion T/A
26	19131316	Washer	83	19171216	Washer 17/32 x 3/4 x 16 Ga.
27	76020412	Pin Cotter 1/8 x 3/4 CAD.	84	169594	Link Transaxle
28	175765	Rod, Parking Brake	89	192387X428	Console, Shift
29	71673	Cap, Parking Brake	95	170201	Control Asm Bypass Hydro
30	169592	Bracket, Transaxle	96	4497H	Retainer Spring 1" Zinc/Cad
32	74760512	Bolt Hex Hd 5/16-18 unc x 3/4	112	19091210	Washer 9/32 x 3/4 x 10 Ga.
34	175578	Shaft, Foot Pedal	120	73900600	Nut Lock Flg 3/8-16 unc
35	120183X	Bearing, Nylon	150	175456	Spacer Retainer
36	19211616	Washer	151	19133210	Washer 13/32 x 2 x 10 Ga.
37	1572H	Pin, Roll	156	166002	Washer Srrted 5/16 ID x 1.125
38	179114	Pulley, Composite	158	165589	Bracket Shift Mount
39	72110622	Bolt Rdhd 3/8-16 unc x 2-3/4 Gr. 5	159	183900	Hub Shift
41	175556	Keeper, Belt Idler	161	72140406	Bolt Rdhd Sqnk 1/4-20 x 3/4 Gr. 5
47	127783	Pulley, Idler, V-Groove	162	73680400	Nut Crownlock 1/4-20 unc
48	154407	Bellcrank Clutch Grnd Drv STL	163	74780416	Bolt Hex Fin 1/4-20 unc x 1 Gr. 5
49	123205X	Retainer, Belt	165	165623	Bracket Pivot Lever
50	72110612	Bolt Carr Sh 3/8-16 x 1-1/2 Gr. 5	166	17490510	Screw 5/16-18 x 5/8
51	73680600	Nut Crownlock 3/8-16 unc	168	165492	Bolt Shoulder 5/16-18 x .561
52	73680500	Nut Crownlock 5/16-18 unc	169	165580	Plate Fastening Lt
53	105710X	Link, Clutch	197	169613	Nyliner Snap-In 5/8" ID
55	105709X	Spring, Return, Clutch	198	169593	Washer Nyl 7/8 ID x .105
56	17060620	Screw 3/8-16 x 1-1/4	199	169612	Bolt Shoulder 5/16-18 unc
57	140294	V-Belt, Ground Drive	200	72140508	Bolt Rdhd Sqnk 5/16-18 unc x 1
59	169691	Keeper, Center Span	202	72110614	Bolt Carr Sh 3/8-16 x 1-3/4 Gr. 5
61	17120614	Screw 3/8-16 x .875	254	17000616	Screw 3/8-16 x 1
62	123533X	Cover, Pedal	263	17000612	Thdrol Screw 3/8-16 x 3/4

NOTE: All component dimensions given in U.S. inches
1 inch = 25.4 mm

TRACTOR - - MODEL NUMBER PK20H42YT (96017000201)

STEERING ASSEMBLY



steering_stealth_prem_12

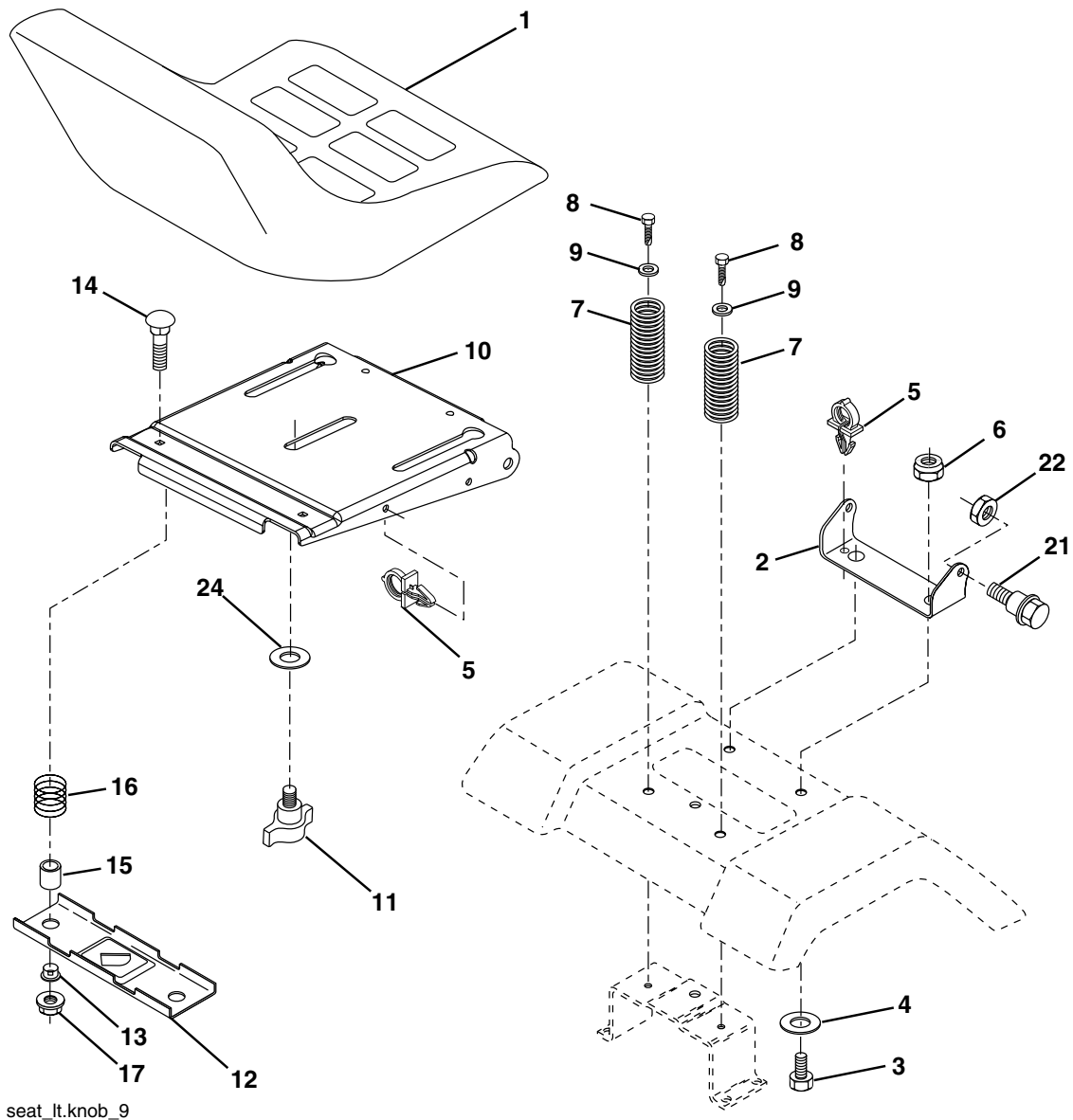
TRACTOR - - MODEL NUMBER PK20H42YT (96017000201)
STEERING ASSEMBLY

KEY NO.	PART NO.	DESCRIPTION
1	186094X428	Wheel Steering
2	184706	Axle Asm Cast Iron LT
3	169840	Spindle Asm LH
4	169839	Spindle Asm RH
5	6266H	Bearing Race Thrust Harden
6	121748X	Washer 25/32 x 1-5/8 x 16 Ga.
8	12000029	Ring Klip #t5304-75
10	175121	Link Drag
11	10040600	Washer Lock Hvy Hlcl Spr 3/8
12	73940800	Nut Hex Jam Toplock 1/2-20 unf
13	136518	Spacer Brg Axle Front
15	145212	Nut Hex Flange Lock
17	177883	Shaft Asm Steering
26	126847X	Bushing Link Drag
28	19131416	Washer 13/32 x 7/8 x 16 Ga.
29	17000612	Screw 3/8-16 x .75
30	76020412	Pin Cotter 1/8 x 3/4
32	192757	Rod Tie
36	155105	Bushing Strg
37	152927	Screw
38	186095X428	Insert Cap Strg Wh
39	19183812	Washer 9/16 ID x 2-3/8 OD x 12 Ga.
40	73540600	Crownlock nut
41	186737	Adaptor Wheel Strg
42	163888X428	Boot Steering Dash
43	121749X	Washer 25/32 x 1 1/4 x 16 Ga.
46	121232X	Cap Spindle Fr Top Blk
65	160367	Spacer Brace Axle
67	72110618	Bolt RDHD SQNK 3/8-16 x 2 1/4
71	175146	Steering Asm
68	169827	Axle, Brace
82	169835	Bracket Susp Chassis Front
87	173966	Washer Flat .781 x 1-1/2 x .14
88	175118	Bolt Shoulder 7/16-20 unc
91	175553	Clip Steering
95	188967	Washer Harden .739 x 1.637 x 060

NOTE: All component dimensions given in U.S. inches
1 inch = 25.4 mm

TRACTOR - - MODEL NUMBER PK20H42YT (96017000201)

SEAT ASSEMBLY



seat_lt.knob_9

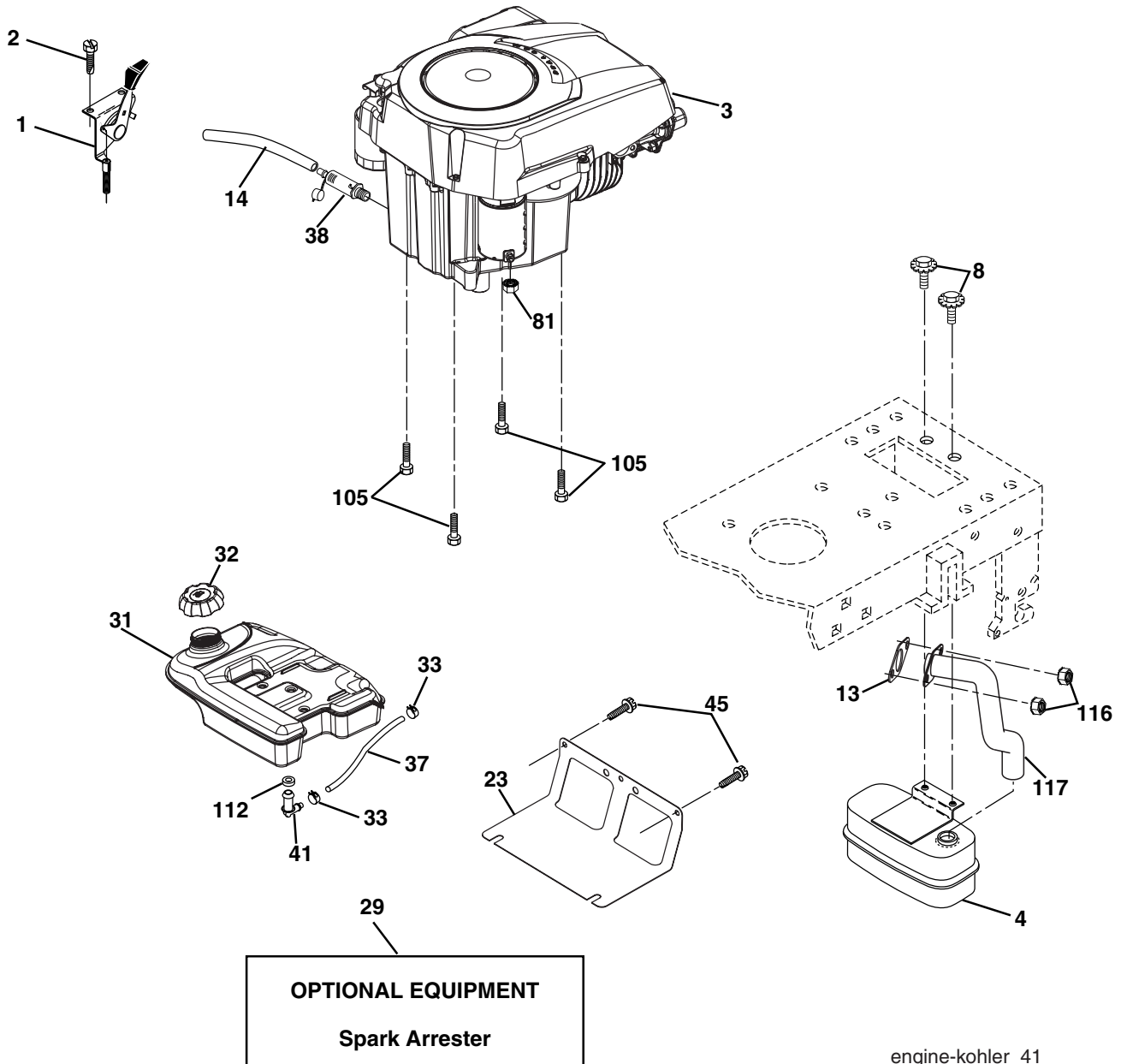
KEY NO.	PART NO.	DESCRIPTION
1	188706	Seat
2	180166	Bracket Pivot Seat 8 720
3	71110616	Bolt Fin Hex 3/8-16 unc x 1
4	19131610	Washer 13/32 x 1 x 10 Ga.
5	145006	Clip Push-In
6	73800600	Nut Hex w/Ins. 3/8-16 unc
7	124181X	Spring Seat Cprsn 2 250 Blk Zi
8	17000616	Screw 3/8-16 x 1.5 Smgml
9	19131614	Washer 13/32 x 1 x 14 Ga.
10	180186	Pan Seat
11	166369	Knob Seat
12	174648	Bracket Mounting Switch

KEY NO.	PART NO.	DESCRIPTION
13	121248X	Bushing Snap Blk Nyl 50 Id
14	72050412	Bolt Rdhd Sqnk 1/4-20 x 1-1/2
15	121249X	Spacer Split 28x 88
16	123740	Spring Cprsn
17	123976X	Nut Lock 1/4 Lge Flg Gr. 5 Zinc
21	171852	Bolt Shoulder 5/16-18 unc
22	73800500	Nut Hex Lock W/Ins 5/16-18
24	19171912	Washer 17/32 x 1-3/16 x 12 Ga.

NOTE: All component dimensions given in U.S. inches
1 inch = 25.4 mm

TRACTOR - - MODEL NUMBER PK20H42YT (96017000201)

ENGINE



engine-kohler_41

KEY NO.	PART NO.	DESCRIPTION
1	175438X428	Control, Throttle/Choke
2	191611	Screw 10 x 3/4 Single Lead Hex
3	-----	Engine Briggs Model 407777 (Order Parts from Engine Mfg.)
4	188655	Muffler
8	171877	Bolt 5/16-18 unc x 3/4 w/Sems
13	185909	Muffler Gasket
14	148456	Tube Oil Drain
23	169837	Shield, Browning/Debris Guard
29	137180	Arrester, Spark
31	179022	Tank, Fuel
32	179124X428	Cap Gauge, Fuel
33	123487X	Clamp, Hose Blk
37	8543R	Line, Fuel
38	181654	Plug Drain Oil Easy
41	139277	Stem Tank Fuel
45	17000612	Screw Hex Wsh Thdrol 3/8-16 x 3/4

KEY NO.	PART NO.	DESCRIPTION
81	73510400	Nut Keps Hex 1/4-20 UNC
105	17120616	Screw 3/8-16 x 1
112	3645J	Bushing
116	184362	Nut Hex Flange Toplock M8-1.25
117	188654	Tube Exhaust

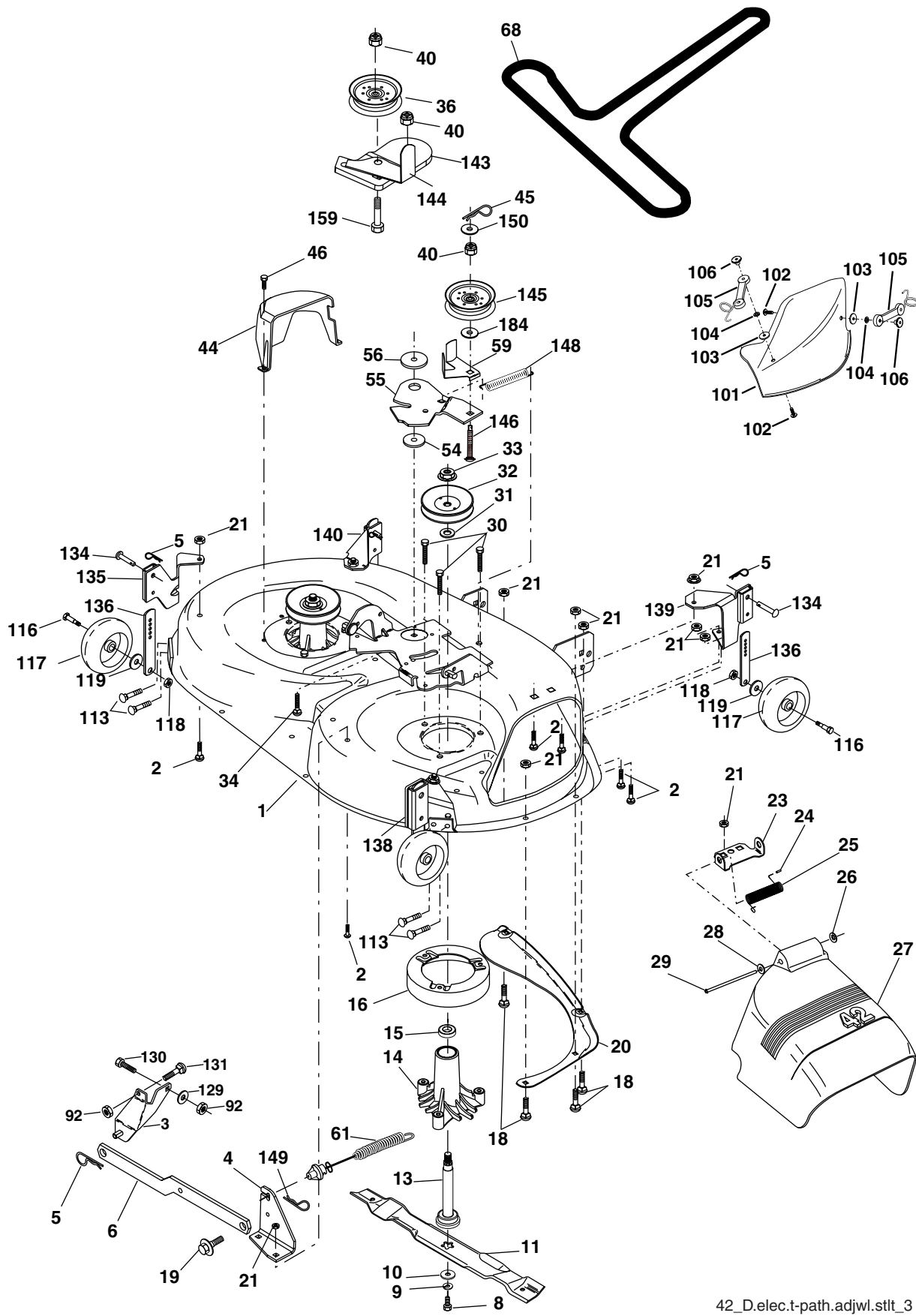
NOTE: All component dimensions given in U.S. inches
1 inch = 25.4 mm

For engine service and replacement parts, call the toll free number for your engine manufacturer listed below:

Briggs & Stratton	1-800-233-3723
Kohler Co.	1-800-544-2444
Tecumseh Products	1-800-558-5402
Honda Engines	1-800-426-7701
Kawasaki	1-949-460-5688

TRACTOR - - MODEL NUMBER PK20H42YT (96017000201)

MOWER DECK



TRACTOR - - MODEL NUMBER PK20H42YT (96017000201)

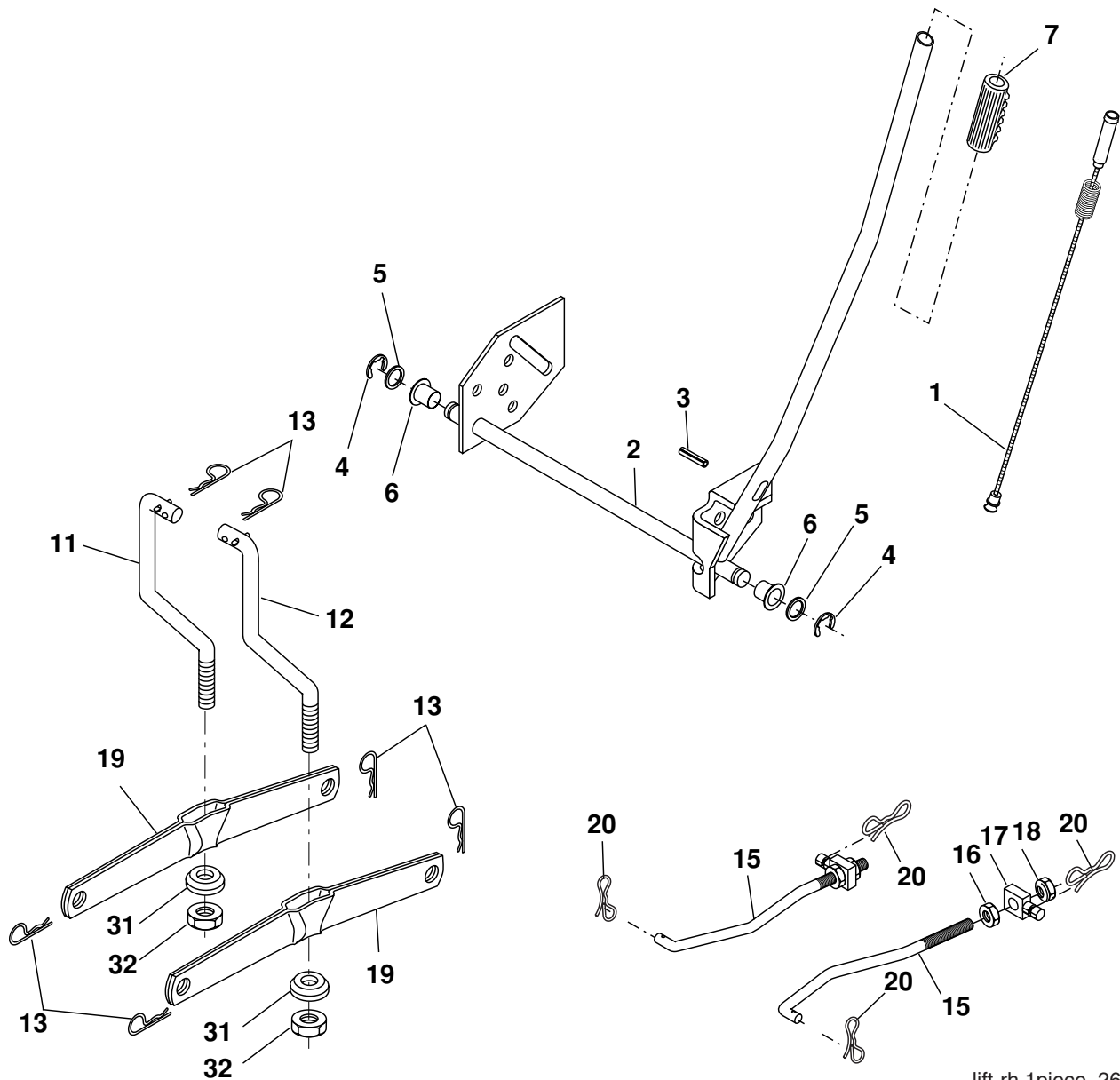
MOWER DECK

KEY NO.	PART NO.	DESCRIPTION	KEY NO.	PART NO.	DESCRIPTION
1	182032X	Mower Deck Assembly, 42"	59	141043	Guard TUV Idler
2	72140506	Bolt	61	174882	Spring Ext Elect. Clutch
3	138017	Bracket Asm Fr. Sway Bar 3/42	68	174883	V-Belt, 42" Mower
4	165460	Bracket Asm Deck 42" Sway Bar	92	73800600	Nut Lock Hex w/Ins 3/8-16 unc
5	4939M	Retainer Spring	101	136420	Mulcher Cover
6	178024	Bar Sway Deck	102	71081010	Screw, Pan Hd Phillip 10-24 x 5/8
8	850857	Bolt 3/8-24 x 1.25 Gr. 8 patched	103	19061216	Washer, Flat
9	10030600	Washer, Lock	104	10071000	Washer, Lock
10	140296	Washer, Hardened	105	160793	Latch Assembly
		(The following Blades are available)	106	2029J	Nut, Weld
11	134149	Blade, Mulching 42" Std (for mulching mowers only)	113	17000510	Bolt 5/16-18 Hex Wsh Hd Lock
--	138971	Blade Mower 42" Hi-Lift (for bagging and discharging)	116	4898H	Bolt, Shoulder
--	139775	Blade Mulching 42" Premium (For better wear when mulching)	117	188606	Wheel, Gauge
13	137645	Shaft Assembly, Mandrel, Vented	118	73930600	Nut Centerlock 3/8-16
14	128774	Housing, Mandrel, Vented	119	19121414	Washer 3/8 x 7/8 x 14 Ga.
15	110485X	Bearing, Ball, Mandrel	129	19131312	Washer 13/32 x 13/16 x 12 Ga.
16	174493	Stripper, Mandrel Deck	130	74780616	Bolt Fin HEx 3/8-16 unc x 1 Gr. 5
18	72140505	Bolt, Carriage 5/16-18 x 5/8	131	72140608	Bolt RDHD SQNK 3/8-16 unc x 1
19	132827	Bolt, Shoulder	134	156941	Pin Head Rivet
20	159770	Baffle, Vortex	135	159765X	Bracket Asm. Whl Ga. R LH
21	73680500	Nut	136	155986	Bar Adjusting Gauge Wheel
23	177563	Bracket, Deflector Mower 42"	138	159763X	Bracket Asm Whl Ga. R RH
24	105304X	Cap, Sleeve 80 x 112 Blk Mower	139	159767X	Bracket Asm. Whl Ga. F RH
25	123713X	Spring, Torsion, Deflector 2 52	140	159768X	Bracket Asm Whl Ga. F LH
26	110452X	Nut, Push Phos & Oil	143	157109	Bracket Arm Idler 42"
27	130968X428	Shield, Deflector 42" Blk	144	158634	Keeper Belt 42" Clutch Cable
28	19111016	Washer 11/32 x 5/8 x 16 Ga.	145	165888	Pulley Idler Flat
29	131491	Rod, Hinge 42" 6 75 W/G	146	171977	Bolt Carriage Idler
30	173984	Screw Thdrol	148	169022	Spring Return Idler
31	187690	Washer, Spacer Mower Vented	149	165898	Retainer Spring Yellow
32	153535	Pulley, Mandrel	150	19091210	Washer 9/32 x 3/4 x 10 Ga.
33	178342	Nut, Toplock	159	72140614	Bolt Rdhd Sqn 3/8-16 unc x 1-3/4
34	72110612	Bolt Carr SH 3/8-16 x 1-1/2 Gr.5	184	19131410	Washer 13/32 x 7/8 x 10 Ga.
36	131494	Pulley, Idler, Flat	--	130794	Mandrel Assembly (Includes Housing Shaft and Shaft Hardware Only - Pulley Not Included)
40	73900600	Nut Lock 3/8-16	--	181542	Replacement Mower, Complete (Std. deck Order separately mulcher cover, and gauge wheel components Key Nos. 101-106 and 116-119)
44	140088	Guard, Mandrel, LH			
45	4497H	Retainer			
46	137729	Screw, Thdrol 1/4-20 x 5/8 T			
54	178515	Washer, Hardened			
55	155046	Arm, Idler			
56	165723	Spacer, Retainer			

NOTE: All component dimensions given in U.S. inches
1 inch = 25.4 mm

TRACTOR - - MODEL NUMBER PK20H42YT (96017000201)

MOWER LIFT



lift-rh.1piece_26

KEY NO.	PART NO.	DESCRIPTION
1	197980	Plunger Asm.
2	198070	Shaft Asm Lift RH w/Inf
3	188822	Pin Groove 2"
4	12000002	E Ring #5133-62
5	19211621	Washer 21/32 x 1 x 21 Ga.
6	120183X	Bearing Nylon Blk 629 Id
7	175830	Grip Handle
11	139865	Link Lift LH Fixed Length
12	139866	Link Lift RH Fixed Length
13	4939M	Retainer Spring
15	173288	Link Front
16	73350800	Nut Jam Hex 1/2-13 unc
17	175689	Trunnion
18	73800800	Nut Lock W/Wsh 1/2-13 unc
19	139868	Arm Suspension Rear
20	194209	Pin Cotter 7/16 Bow Tie Lock
23	110807X	Nut Special
24	19131016	Washer 13/32 x 5/8 x 16 Ga.

KEY NO.	PART NO.	DESCRIPTION
25	164024	Spring
26	169484	Retainer Clip
27	164543	Rod Adj Lift
28	73350600	Nut Hex Jam 3/8-16 unc
29	138057	Knob Inf 3/8-16 unc Blk W/sym
30	150233	Trunnion Infin Height
31	169865	Bearing Pvt Lift
32	73540600	Nut Crownlock 3/8 - 24
36	155097	Pointer Height Indicator
37	123935X	Plug Hole Blk 1.485/1.515 Dia.
38	17060516	Screw 5/16-18 x 1
40	19112410	Washer 11/32 x 1-1/2 10 Ga.
41	155098	Indicator Height STLT
49	145212	Nut Hex Flange Lock
50	110452X	Nut PUSh Phos & Oi

NOTE: All component dimensions given in U.S. inches
1 inch = 25.4 mm