

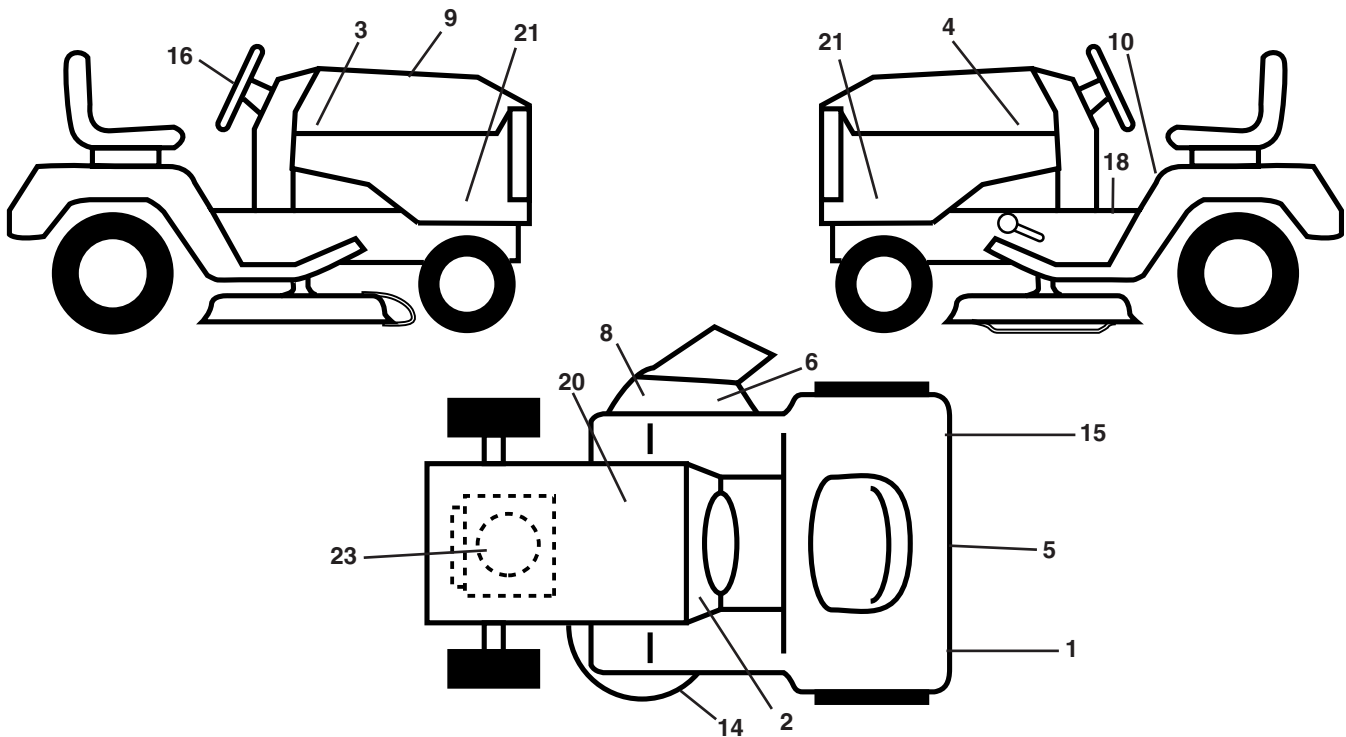
ILLUSTRATED PARTS LIST

MODEL NO. 96012003700

CUSTOMER CATALOG NO. XT24H42YT

TRACTOR - - MODEL NUMBER XT24H42YT (96012003700)

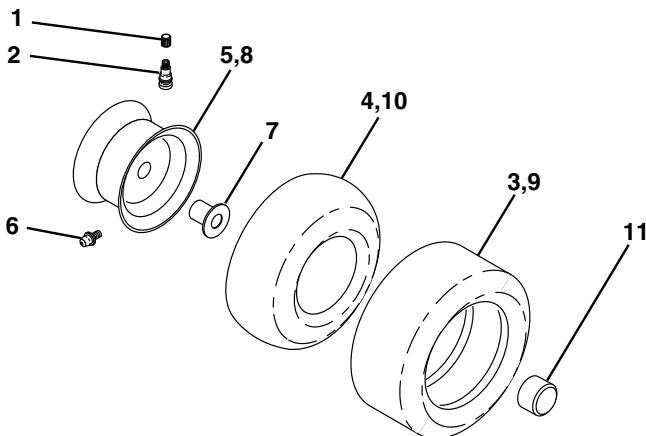
DECALS



KEY NO.	PART NO.	DESCRIPTION
1	187407	Reflector, LH
2	194606	Decal Dash
3	196671	Decal Hood Rh
4	196672	Decal Hood LH
5	196674	Decal Fender Logo
6	170563	Decal Warning, Keep Hand Away
8	179128	Decal Deck "B" 42"
9	196677	Decal Replacement Hood
10	157140	Decal Fender Danger
14	160396	Decal V-Belt Schematic
15	187408	Decal Reflector, RH

KEY NO.	PART NO.	DESCRIPTION
16	196673	Decal Ins Strg Whl
18	193939	Decal Oper
20	145005	Decal Battery
21	196675	Decal Side Panel Logo
23	195549	Decal Engine
--	138311	Decal Height Adjust
--	166960	Decal By Pass Lt Hydro
--	184310X428	Pad Footrest LH
--	184311X428	Pad Footrest RH
--	196692	Manual Operator's E&F
--	196693	Manual Parts E&F

WHEELS AND TIRES

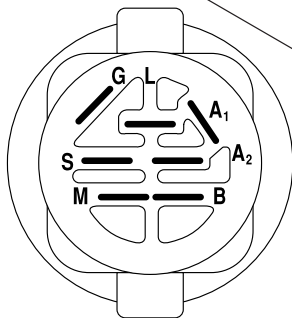
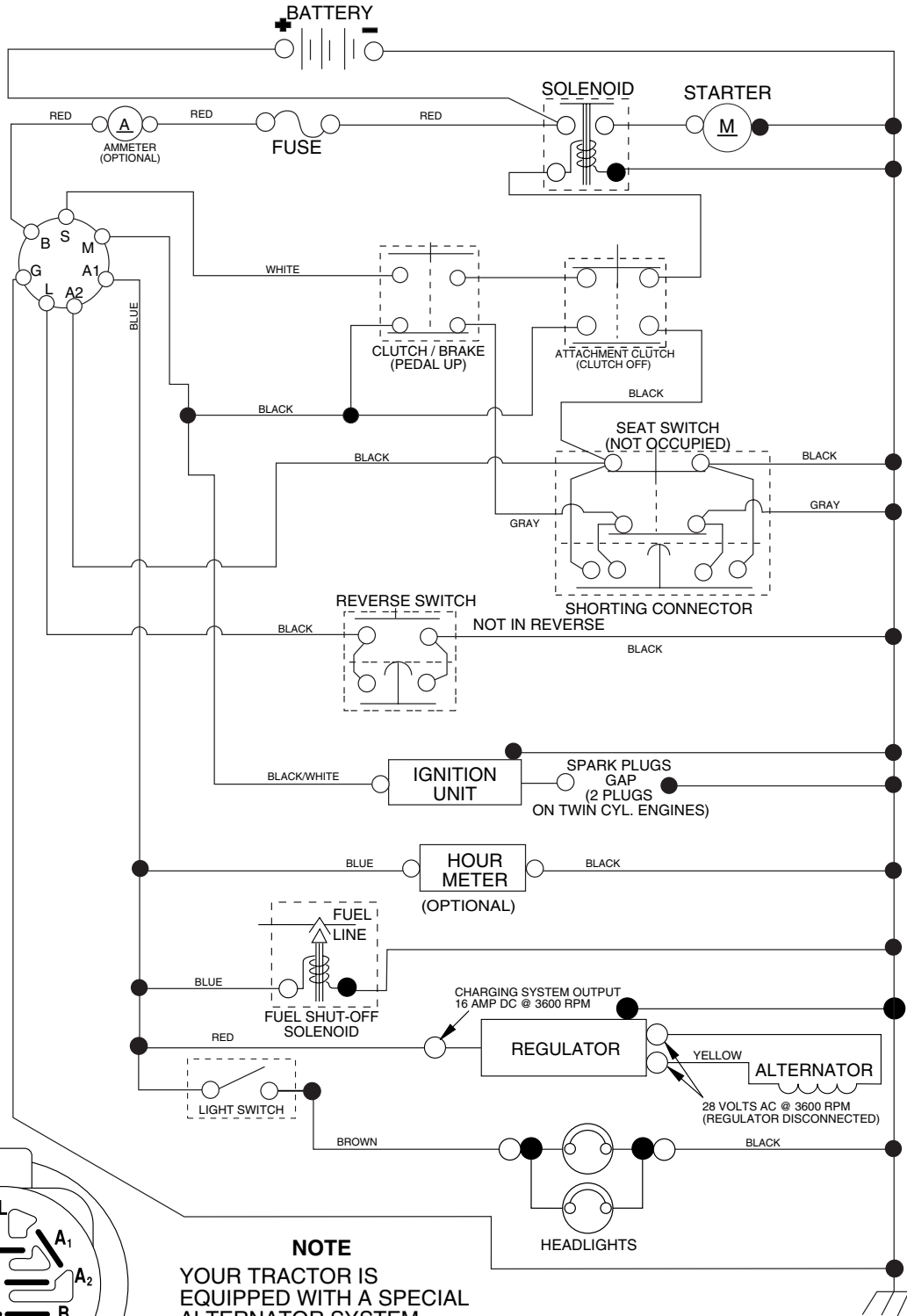


KEY NO.	PART NO.	DESCRIPTION
1	59192	Cap Valve Tire
2	65139	Stem Valve
3	106222X	Tire F T 15 x 6 0 - 6 Service
4	59904	Tube Front (Service Item Only)
5	106732X624	Rim Asm 6" Front Service
6	278H	Fitting Grease (Front Wheel Only)
7	9040H	Bearing Flange (Front Wheel nly)
8	106108X	Rim Asm 8" Rear Service
9	138468	Tire R T 20 x 8-8 Service
10	7152J	Tube Rear (Service Item Only)
11	104757X624	Cap Axle Blk 1 50 x 1 00
--	144334	Sealant, Tire (10 oz. Tube)

NOTE: All component dimensions given in U.S. inches
1 inch = 25.4 mm

TRACTOR - - MODEL NUMBER XT24H42YT (96012003700)

SCHEMATIC



IGNITION SWITCH

POSITION	CIRCUIT "MAKE"
OFF	M+G+A1
RUN/OVERRIDE	B+A1
RUN	B+A1 L+A2
START	B + S + A1

02886

NOTE
YOUR TRACTOR IS EQUIPPED WITH A SPECIAL ALTERNATOR SYSTEM. THE LIGHTS ARE NOT CONNECTED TO THE BATTERY, BUT HAVE THEIR OWN ELECTRICAL SOURCE. BECAUSE OF THIS, THE BRIGHTNESS OF THE LIGHTS WILL CHANGE WITH ENGINE SPEED. AT IDLE THE LIGHTS WILL DIM. AS THE ENGINE IS SPEEDED UP, THE LIGHTS WILL BECOME THEIR BRIGHTEST.

●
NON-REMOVABLE CONNECTIONS

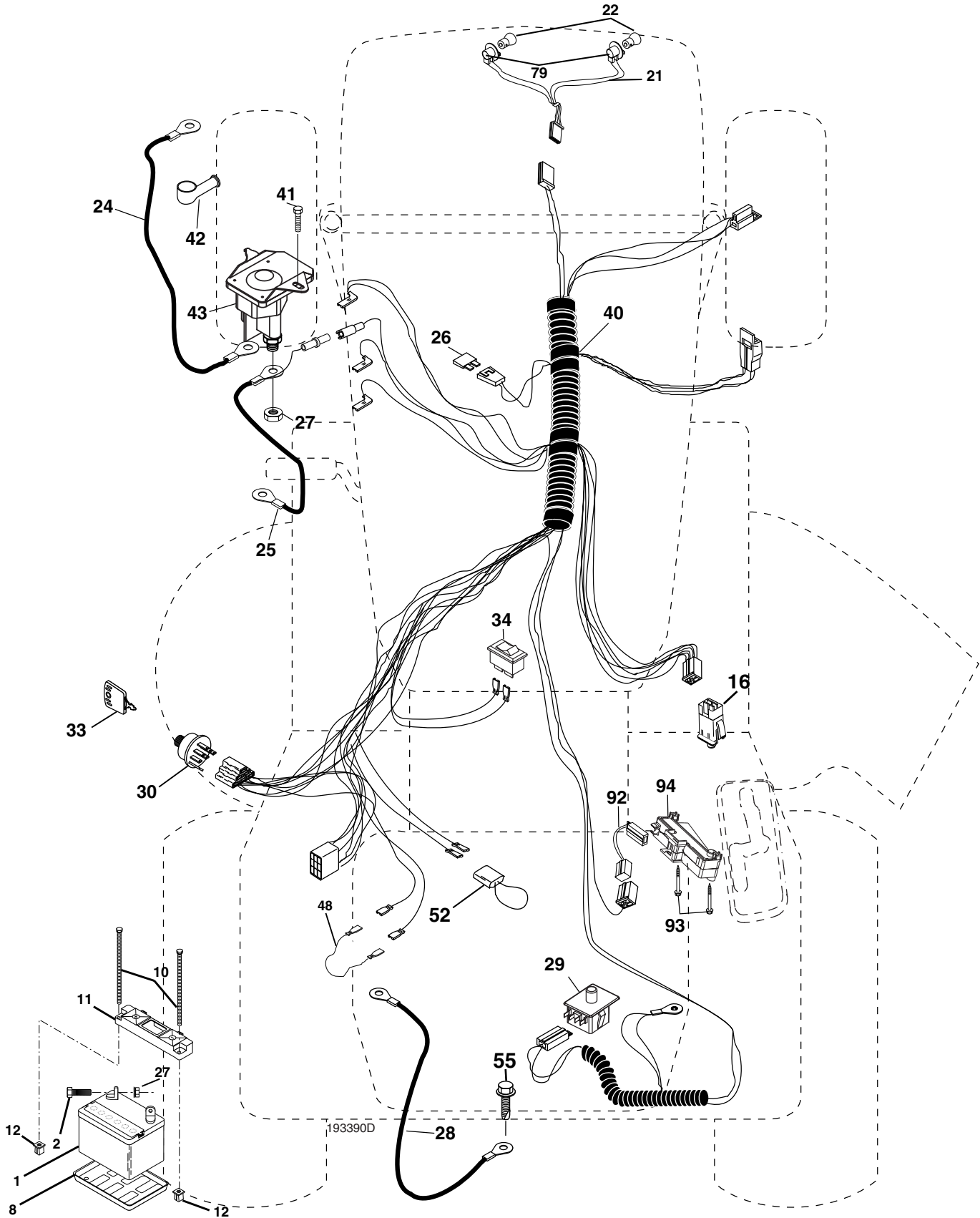
○
REMOVABLE CONNECTIONS

WIRING INSULATED CLIPS

NOTE: IF WIRING INSULATED CLIPS WERE REMOVED FOR SERVICING OF UNIT, THEY SHOULD BE REPLACED TO PROPERLY SECURE YOUR WIRING.

TRACTOR - - MODEL NUMBER XT24H42YT (96012003700)

ELECTRICAL



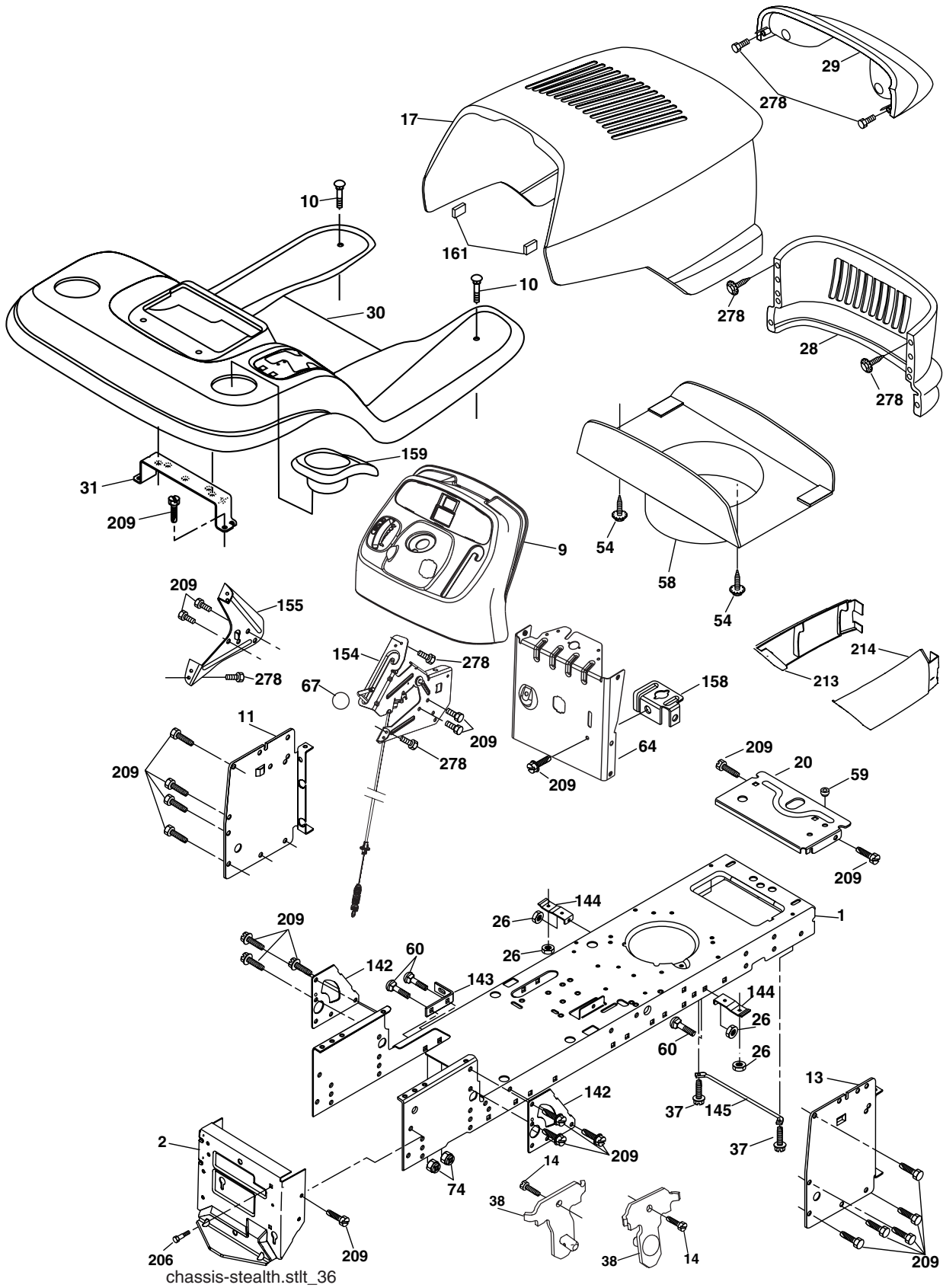
TRACTOR - - MODEL NUMBER XT24H42YT (96012003700)
ELECTRICAL

KEY NO.	PART NO.	DESCRIPTION
1	144927	Battery
2	74760412	Bolt Hex Hd 1/4-20 unc x 3/4
8	7603J	Tray Battery
10	145211	Bolt Battery Front 1/4-20 x 7.5
11	150109	Holddown Battery
12	145769	Nut Push Nylon 1/4
16	176138	Switch Interlock
21	175688	Harness Socket Light
22	4152J	Bulb, Light # 1156
24	8860R	Cable Battery
25	146148	Cable Battery 6 Ga. Red w/16 wire
26	175158	Fuse
27	73510400	Nut Keps Hex 1/4-20 unc
28	145491	Cable Ground 21" Blk 6 Ga.
29	192749	Switch Seat
30	193350	Switch Ign
33	140401	Key Ign Molded Generic
34	110712X	Switch Light/Reset
40	193390	Harness Ign
41	17720408	Bolt Fin Hex 1/4-20 unc x 1/2
42	131563	Cover Terminal Red
43	192507	Solenoid
48	140844	Adapter Ameter
52	141940	Protection Loop
55	17490508	Screw Thdrol 5/16-18 x 1/2
79	175242	Socket Asm Bulb Twistlock
92	193465	Harness Pigtail Reverse Switch
93	192540	Screw Plastite 10-14 x 2.0
94	191834	Module Revers ROS

NOTE: All component dimensions given in U.S. inches
1 inch = 25.4 mm

TRACTOR - - MODEL NUMBER XT24H42YT (96012003700)

CHASSIS



chassis-stealth.stlt_36

TRACTOR - - MODEL NUMBER XT24H42YT (96012003700)

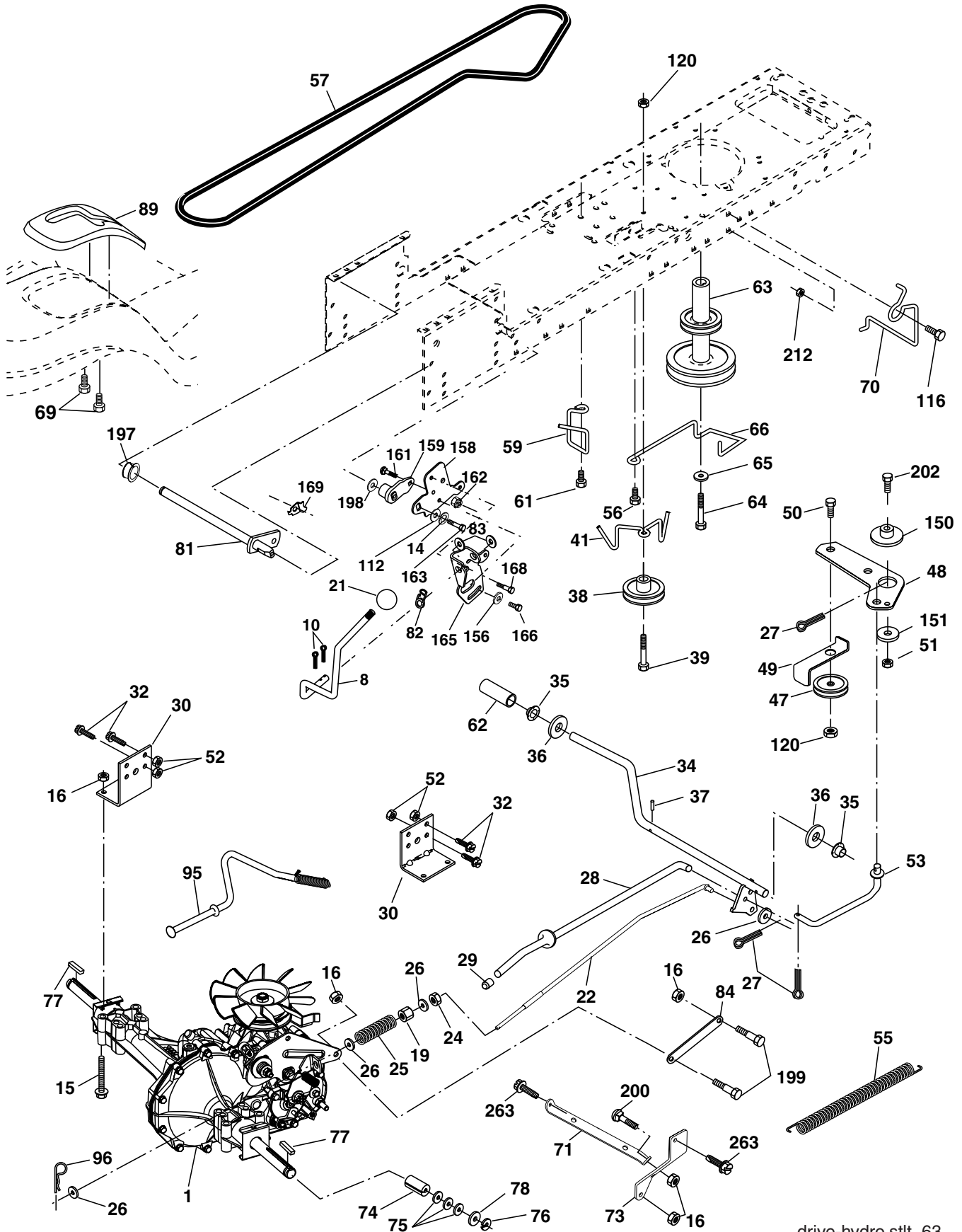
CHASSIS

KEY NO.	PART NO.	DESCRIPTION
1	174619	Chassis
2	176554	Drawbar
9	193611X428	Dash
10	72140608	Bolt Carriage 3/8-16 x 1
11	167203	Panel Dash Lh
13	178298	Panel Dash Rh
14	17490608	Screw Thdrol 3/8-16 x 1/2
17	175260X505	Hood
20	162026	Plate Battery
26	73800600	Nut Lock Hex W/Ins 3/8-16 unc
28	175289X428	Grille
29	161840	Lens Bar
30	192393X505	Fender Footrest
31	139976	Bracket Fender
37	17490508	Screw Thdrol 6/16-18 x 1/2 TYT
38	175710	Bracket Asm Pivot Mower Rear
54	192512	Screw WSHD Hex 10-32 x 5/8
58	175351	Duct Air
59	187495	Bushing
60	72140606	Bolt RDHD Sqnk 3/8-16 unc x 3/4
64	174997	Dash Lower STLT
67	106932X	Knob
74	73680600	Nut Crownlock 3/8-16 unc
142	175702	Plate Reinforcement STLT
143	186689	Bracket Swaybar Chassis
144	175582	Bracket Footrest Step-thru
145	156524	Rod Pivot Chassis/Hood
154	192413	Bracket Clutch Asm
155	161900	Bracket Dash LH
158	162037	Bracket Parking Brake
159	155123X428	Cupholder
161	164655	Bumper Hood
206	170165	Bolt Shoulder 5/16-18
209	17000612	Screw Hexwsh Thdr 3/8-16 x 3/4
213	169848X428	Skirt Grille LH
214	169847X428	Skirt Grille RH
278	191611	Screw 10 x 3/4 Single Lead-Hex

NOTE: All component dimensions given in U.S. inches
1 inch = 25.4 mm

TRACTOR - - MODEL NUMBER XT24H42YT (96012003700)

DRIVE



drive-hydro.stlt_63

TRACTOR - - MODEL NUMBER XT24H42YT (96012003700)

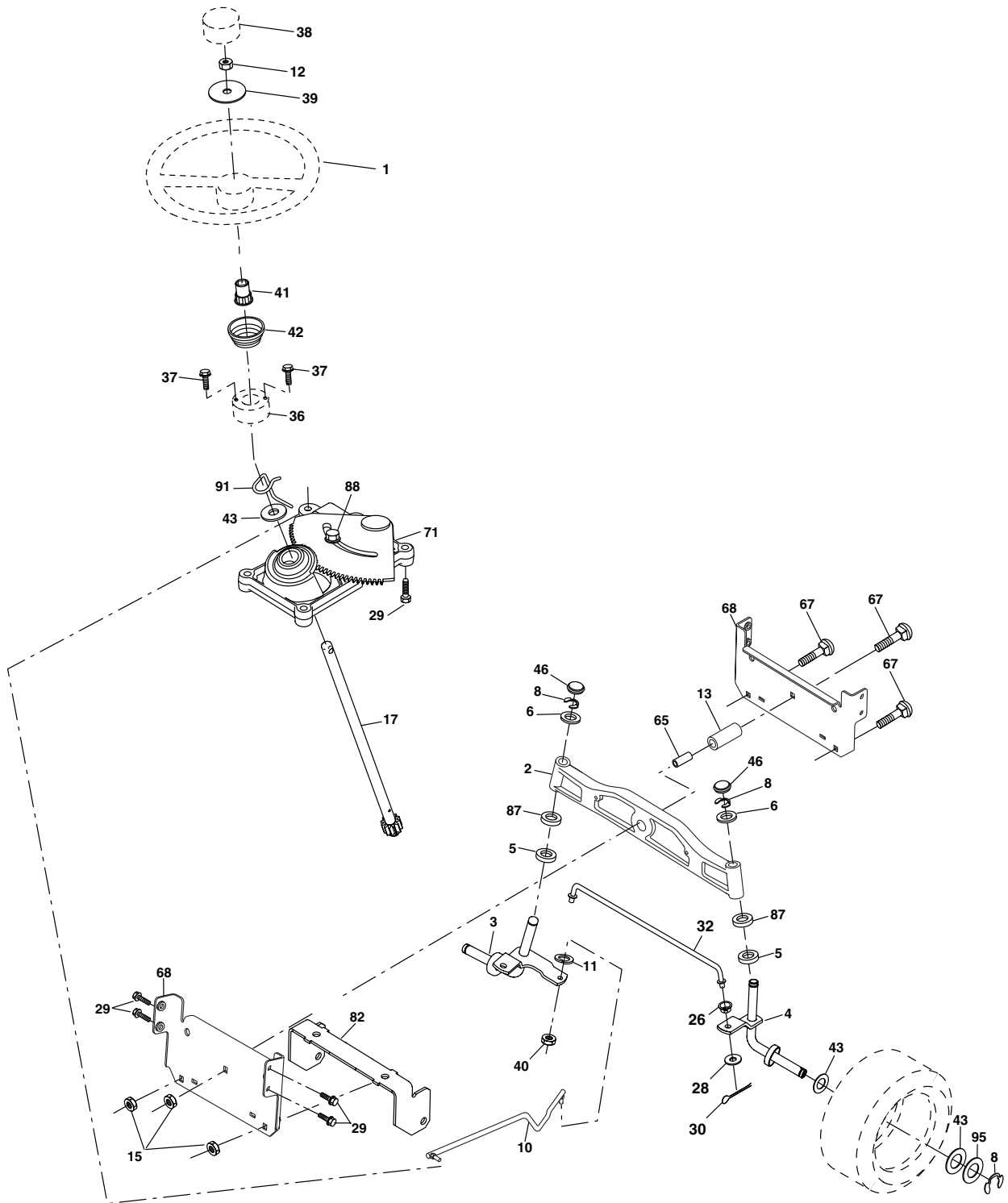
DRIVE

KEY NO.	PART NO.	DESCRIPTION	KEY NO.	PART NO.	DESCRIPTION
1	-----	Transaxle Hydro Gear 314-0510 (Order Parts From Transaxle Manufacturer)	66	154778	Keeper Belt Engine
8	192502	Rod Shift	69	142432	Screw Hex Wsh Hi-Lo 1/4 x 1/2 unc
10	76020416	Pin Cotter 1/8 x 1 CAD	70	134683	Guide Bolt Mower drive RH
14	10040400	Washer Lock Hvy Helical	71	169183	Strap Torque Lh Hydro
15	74490544	Bolt, Hex FLGHD 5/16-18 Gr. 5	73	169182	Strap Torque Rh Hydro
16	73800500	Nut Lock Hex W/Ins 5/16-18 unc	74	137057	Spacer, Axle
19	73800600	Nut Lock Hex W/Wsh 3/8-16 unc	75	121749X	Washer 25/32 x 1-1/4 x 16 Ga.
21	140845	Knob	76	12000001	E-Ring
22	169498	Rod, Brake Hydro	77	123583X	Key, Square
24	73350600	Nut	78	121748X	Washer 25/32 x 1-5/8 x 16 Ga.
25	106888X	Spring, Brake Rod	81	165596	Shaft Asm. Cross Hydro
26	19131316	Washer	82	165711	Spring Torsion T/A
27	76020412	Pin Cotter 1/8 x 3/4 CAD.	83	19171216	Washer 17/32 x 3/4 x 16 Ga.
28	175765	Rod, Parking Brake	84	169594	Link Transaxle
29	71673	Cap, Parking Brake	89	192387X428	Console, Shift
30	169592	Bracket, Transaxle	95	170201	Control Asm Bypass Hydro
32	74760512	Bolt Hex Hd 5/16-18 unc x 3/4	96	4497H	Retainer Spring 1" Zinc/Cad
34	175578	Shaft, Foot Pedal	112	19091210	Washer 9/32 x 3/4 x 10 Ga.
35	120183X	Bearing, Nylon	116	72140608	Bolt RDHD SQNK 3/8-16 UNC x 1
36	19211616	Washer	120	73900600	Nut Lock Flg 3/8-16 unc
37	1572H	Pin, Roll	150	175456	Spacer Retainer
38	179114	Pulley, Composite	151	19133210	Washer 13/32 x 2 x 10 Ga.
39	72110622	Bolt Rdhd 3/8-16 unc x 2-3/4 Gr. 5	156	166002	Washer Srrted 5/16 ID x 1.125
41	175556	Keeper, Belt Idler	158	165589	Bracket Shift Mount
47	127783	Pulley, Idler, V-Groove	159	183900	Hub Shift
48	154407	Bellcrank Clutch Grnd Drv STL	161	72140406	Bolt Rdhd Sqnk 1/4-20 x 3/4 Gr. 5
49	123205X	Retainer, Belt	162	73680400	Nut Crownlock 1/4-20 unc
50	72110612	Bolt Carr Sh 3/8-16 x 1-1/2 Gr. 5	163	74780416	Bolt Hex Fin 1/4-20 unc x 1 Gr. 5
51	73680600	Nut Crownlock 3/8-16 unc	165	165623	Bracket Pivot Lever
52	73680500	Nut Crownlock 5/16-18 unc	166	17490510	Screw 5/16-18 x 5/8
53	105710X	Link, Clutch	168	165492	Bolt Shoulder 5/16-18 x .561
55	105709X	Spring, Return, Clutch	169	165580	Plate Fastening Lt
56	17060620	Screw 3/8-16 x 1-1/4	197	169613	Nyliner Snap-In 5/8" ID
57	140294	V-Belt, Ground Drive	198	169593	Washer Nyl 7/8 ID x .105
59	169691	Keeper, Center Span	199	169612	Bolt Shoulder 5/16-18 unc
61	17120614	Screw 3/8-16 x .875	200	72140508	Bolt Rdhd Sqnk 5/16-18 unc x 1
62	123533X	Cover, Pedal	202	72110614	Bolt Carr Sh 3/8-16 x 1-3/4 Gr. 5
63	175410	Pulley, Engine	212	145212	Nut Hex Flange Lock
64	173937	Bolt Hex 7/16-20 x 4 x Gr. 5-1.5 Thr	263	17000612	Thdrol Screw 3/8-16 x 3/4
65	10040700	Washer			

NOTE: All component dimensions given in U.S. inches
1 inch = 25.4 mm

TRACTOR - - MODEL NUMBER XT24H42YT (96012003700)

STEERING ASSEMBLY



steering_stealth_prem_13

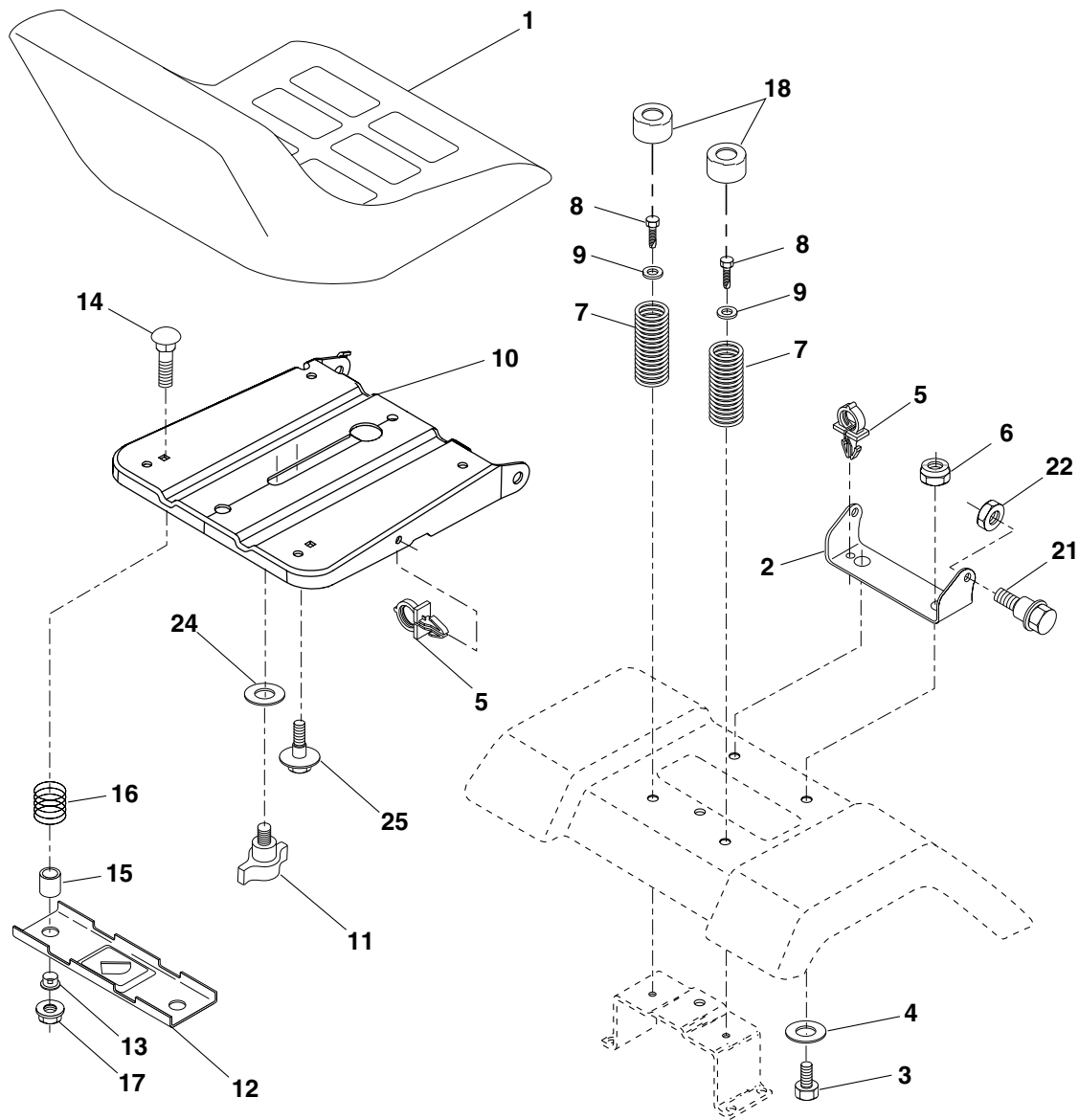
TRACTOR - - MODEL NUMBER XT24H42YT (96012003700)
STEERING ASSEMBLY

KEY NO.	PART NO.	DESCRIPTION
1	186094X428	Wheel Steering
2	184706	Axle Asm Cast Iron LT
3	169840	Spindle Asm LH
4	169839	Spindle Asm RH
5	6266H	Bearing Race Thrust Harden
6	121748X	Washer 25/32 x 1-5/8 x 16 Ga.
8	12000029	Ring Klip #t5304-75
10	175121	Link Drag
11	10040600	Washer Lock Hvy Hlcl Spr 3/8
12	73940800	Nut Hex Jam Toplock 1/2-20 unf
13	136518	Spacer Brg Axle Front
15	145212	Nut Hex Flange Lock
17	177883	Shaft Asm Steering
26	126847X	Bushing Link Drag
28	19131416	Washer 13/32 x 7/8 x 16 Ga.
29	17000612	Screw 3/8-16 x .75
30	76020412	Pin Cotter 1/8 x 3/4
32	192757	Rod Tie
36	155105	Bushing Strg
37	152927	Screw
38	186095X428	Insert Cap Strg Wh
39	19183812	Washer 9/16 ID x 2-3/8 OD x 12 Ga.
40	73540600	Crownlock nut
41	186737	Adaptor Wheel Strg
42	163888X428	Boot Steering Dash
43	121749X	Washer 25/32 x 1 1/4 x 16 Ga.
46	121232X	Cap Spindle Fr Top Blk
65	160367	Spacer Brace Axle
67	72110618	Bolt RDHD SQNK 3/8-16 x 2 1/4
68	169827	Axle, Brace
71	175146	Steering Asm
82	169835	Bracket Susp Chassis Front
87	173966	Washer Flat .781 x 1-1/2 x .14
88	175118	Bolt Shoulder 7/16-20 unc
91	175553	Clip Steering
95	188967	Washer Harden .739 x 1.637 x 060

NOTE: All component dimensions given in U.S. inches
1 inch = 25.4 mm

TRACTOR - - MODEL NUMBER XT24H42YT (96012003700)

SEAT ASSEMBLY



seat_lt.knob_2

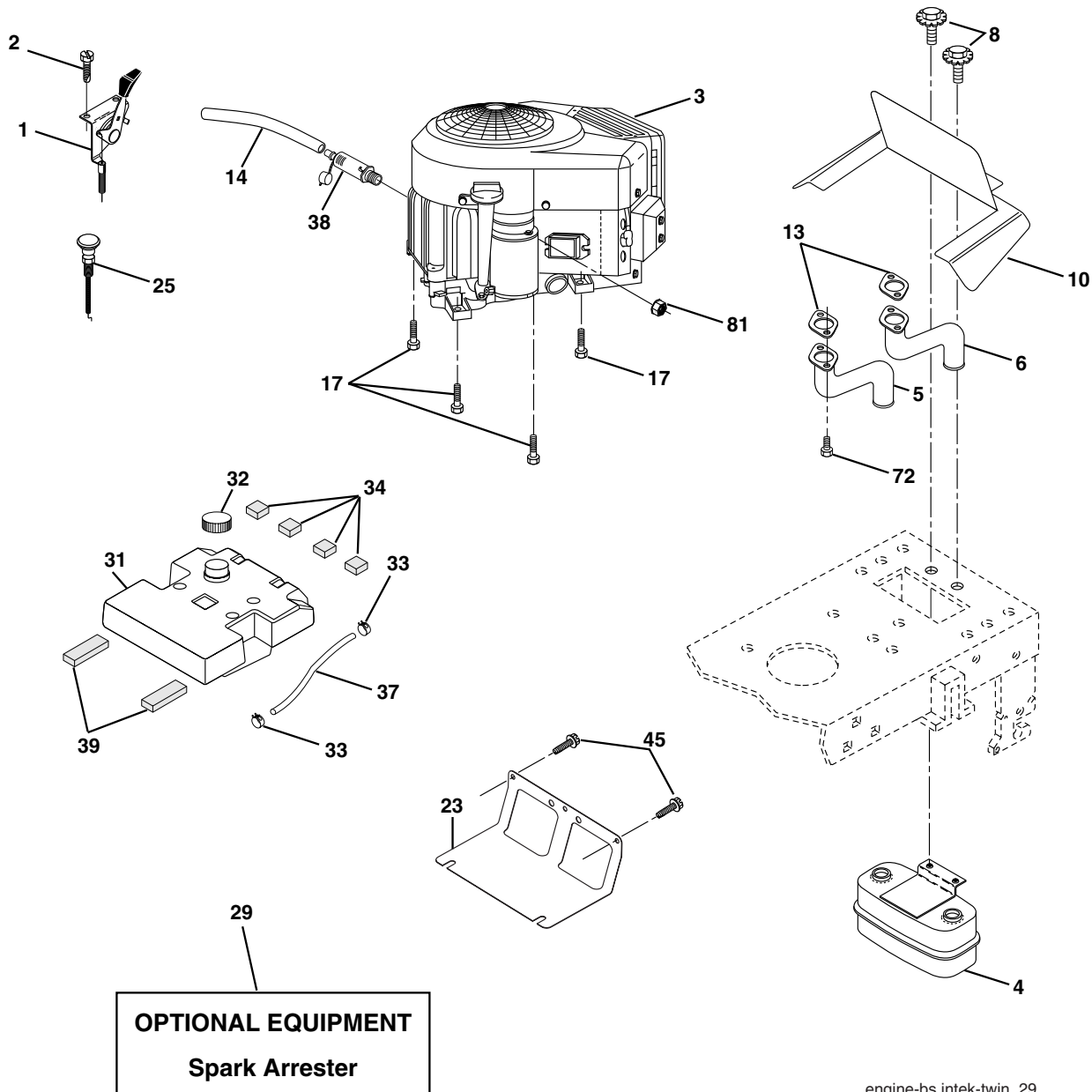
KEY NO.	PART NO.	DESCRIPTION
1	188720	Seat
2	140551	Bracket Pivot Seat 8 720
3	71110616	Bolt Fin Hex 3/8-16 unc x 1
4	19131610	Washer 13/32 x 1 x 10 Ga.
5	145006	Clip Push-In
6	73800600	Nut Hex w/Ins. 3/8-16 unc
7	124181X	Spring Seat Cprsn 2 250 Blk Zi
8	17000616	Screw 3/8-16 x 1.5 Smgml
9	19131614	Washer 13/32 x 1 x 14 Ga.
10	182493	Pan Seat
11	166369	Knob Seat
12	174648	Bracket Mounting Switch

KEY NO.	PART NO.	DESCRIPTION
13	121248X	Bushing Snap Blk Nyl 50 Id
14	72050412	Bolt Rdhd Sqnk 1/4-20 x 1-1/2
15	134300	Spacer Split 28 x 96
16	121250X	Spring Cprsn
17	123976X	Nut Lock 1/4 Lge Flg Gr. 5 Zinc
18	124238X	Cap Spring Seat
21	171852	Bolt Shoulder 5/16-18 unc
22	73800500	Nut Hex Lock W/Ins 5/16-18
24	19171912	Washer 17/32 x 1-3/16 x 12 Ga.
25	127018X	Bolt Shoulder 5/16-18 x 62

NOTE: All component dimensions given in U.S. inches
1 inch = 25.4 mm

TRACTOR - - MODEL NUMBER XT24H42YT (96012003700)

ENGINE



engine-bs intek-twin_29

KEY NO.	PART NO.	DESCRIPTION
1	175437X428	Control, Throttle/Choke
2	191611	Screw Hex Single Lead 10 x 3/4
3	-----	Engine Briggs Model 446677 (Order Parts from Engine Mfg.)
4	149723	Muffler
5	159955	Tube Exhaust LH
6	160589	Tube Exhaust RH
8	171877	Bolt 5/16-18 unc x 3/4 w/Sems
10	162797	Shield Browning
13	165391	Muffler Gasket
14	148456	Tube Oil Drain
17	17060624	Screw 3/8-16 x 1-1/2
23	169837	Shield, Browning/Debris Guard
25	187767X428	Control Choke
29	137180	Arrester, Spark
31	157103	Tank, Fuel
32	161696	Cap Gauge, Fuel
33	123487X	Clamp, Hose Blk

KEY NO.	PART NO.	DESCRIPTION
34	106082X	Pad Spacer 1x1x1
37	8543R	Line, Fuel
38	181654	Plug Drain Oil Easy
39	109227X	Pad Idler 1.75 x .75 x .06
45	17000612	Screw Hex Wsh Thdrol 3/8-16 x 3/4
72	183906	Screw 5/16-18 x 1
81	73510400	Nut Keps Hex 1/4-20 unc

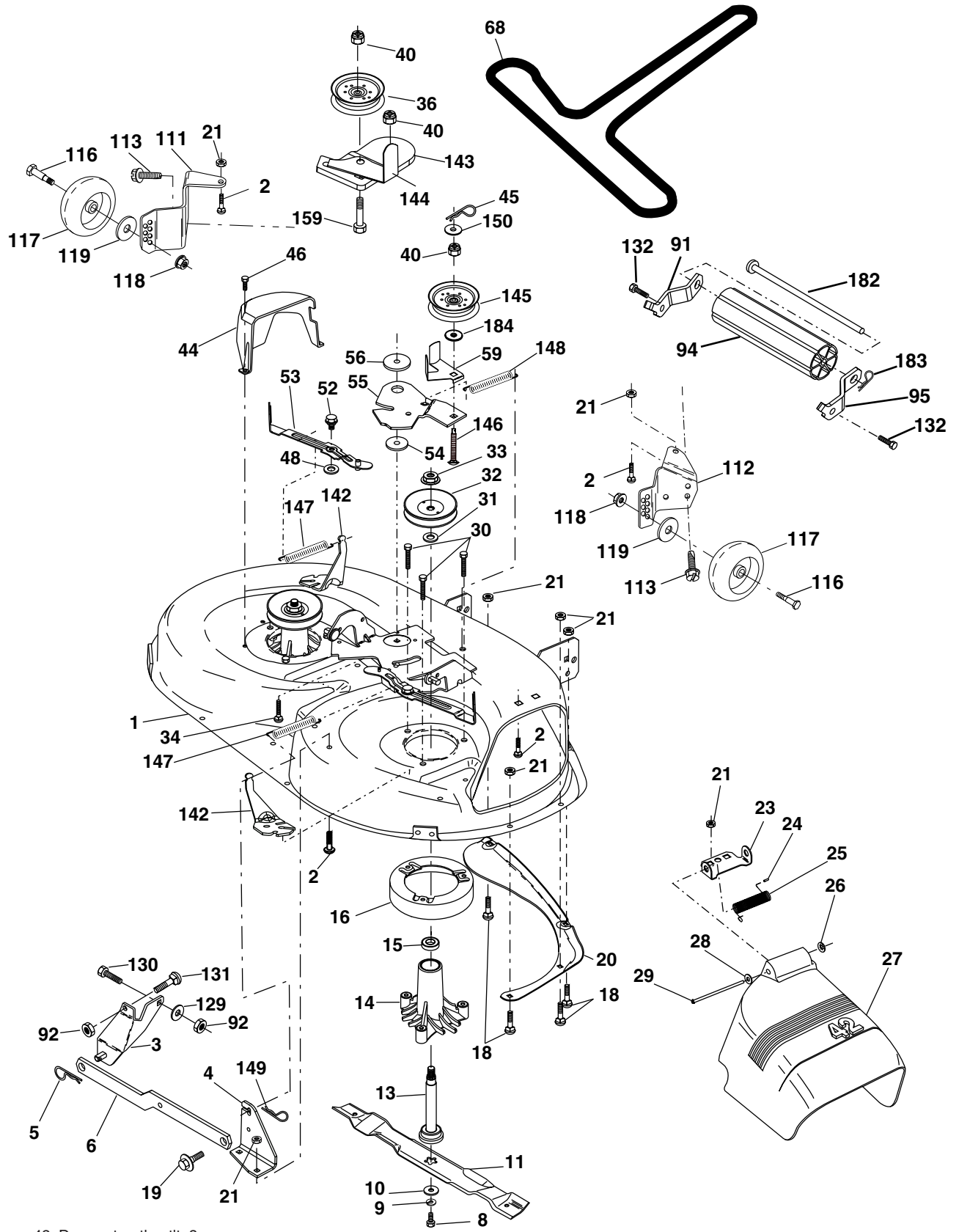
NOTE: All component dimensions given in U.S. inches
1 inch = 25.4 mm

For engine service and replacement parts, call the toll free number for your engine manufacturer listed below:

Briggs & Stratton	1-800-233-3723
Kohler Co.	1-800-544-2444
Tecumseh Products	1-800-558-5402
Honda Engines	1-800-426-7701
Kawasaki	1-949-460-5688

TRACTOR - - MODEL NUMBER XT24H42YT (96012003700)

MOWER DECK



42_D_man-t-path_stlt_3

TRACTOR - - MODEL NUMBER XT24H42YT (96012003700)

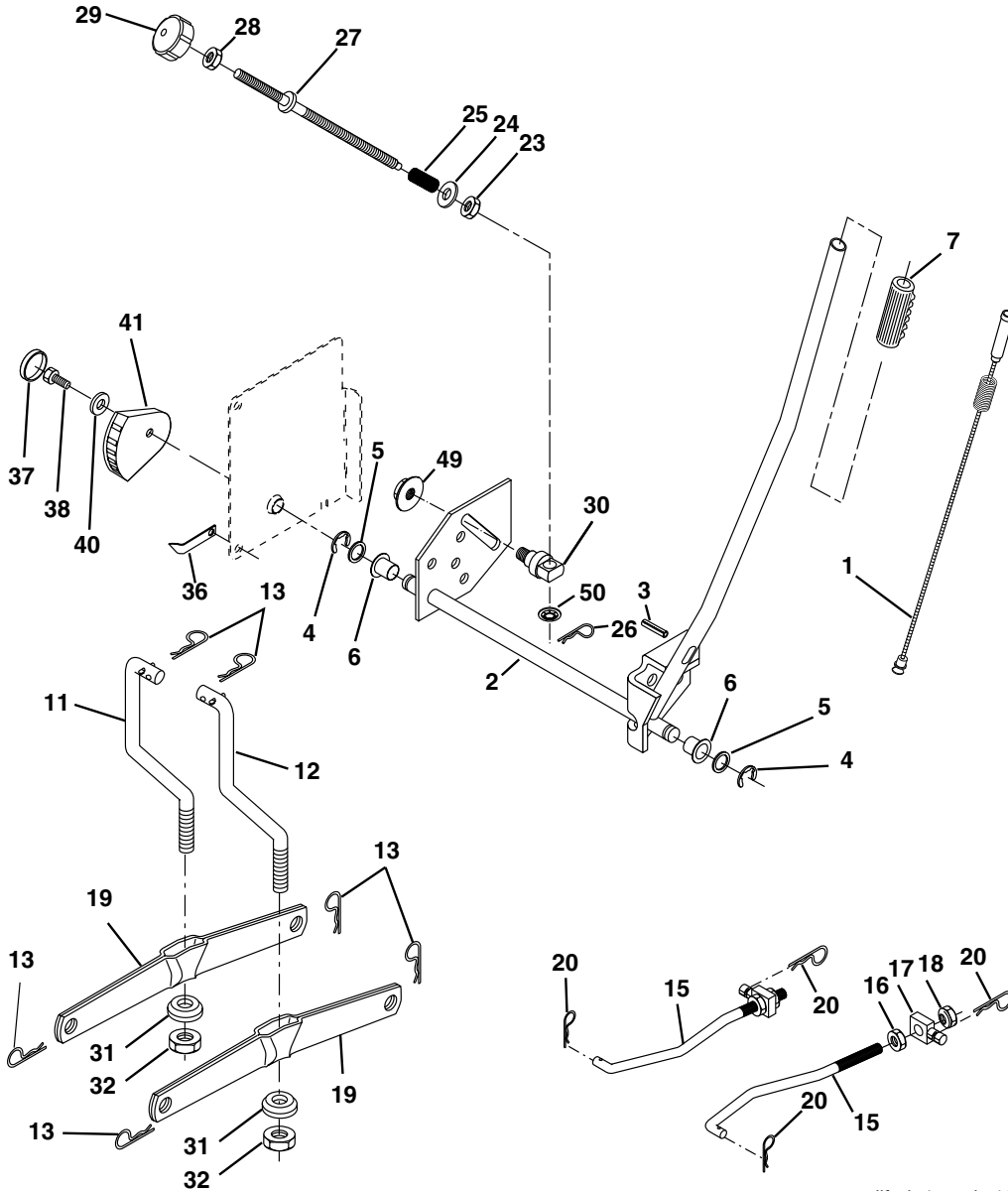
MOWER DECK

KEY NO.	PART NO.	DESCRIPTION	KEY NO.	PART NO.	DESCRIPTION
1	165892	Mower Deck Assembly, 42"	54	178515	Washer, Hardened
2	72140506	Bolt	55	155046	Arm, Idler
3	138017	Bracket Asm Fr. Sway Bar 3/42	56	165723	Spacer, Retainer
4	165460	Bracket Asm Deck 42" Sway Bar	59	141043	Guard TUV Idler
5	4939M	Retainer Spring	68	144959	V-Belt, 42" Mower
6	178024	Bar Sway Deck	91	1880532	Bracket Nose Roller LH
8	850857	Bolt 3/8-24 x 1.25 Gr. 8 patched	92	73800600	Nut Lock W/Ins 3/8-16 unc
9	10030600	Washer, Lock	94	132264	Roller Nose
10	140296	Washer, Hardened	95	180533	Bracket Nose Roller RH
		(The following Blades are available)	111	179292	Bracket Whl Ga. LH
11	138971	Blade Mower 42" Hi-Lift (for bagging and discharging)	112	179293	Bracket Whl Ga. RH
--	134149	Blade, Mulching 42" Std (for mulching mowers only)	113	17000510	Screw 5/16-18
--	139775	Blade Mulching 42" Premium (For better wear when mulching)	116	4898H	Bolt, Shoulder
			117	188606	Wheel, Gauge
13	137645	Shaft Assembly, Mandrel, Vented	118	73930600	Nut Centerlock 3/8-16
14	128774	Housing, Mandrel, Vented	119	19121414	Washer 3/8 x 7/8 x 14 Ga.
15	110485X	Bearing, Ball, Mandrel	129	19131312	Washer 13/32 x 13/16 x 12 Ga.
16	174493	Stripper, Mandrel Deck	130	74780616	Bolt Fin HEX 3/8-16 unc x 1 Gr. 5
18	72140505	Bolt, Carriage 5/16-18 x 5/8	131	72140608	Bolt RDHD SQNK 3/8-16 unc x 1
19	132827	Bolt, Shoulder	132	17000612	Screw Hexwsh Thdr. 3/8-16 x 3/4
20	159770	Baffle, Vortex	142	165890	Arm Spring Brake Mower
21	73680500	Nut	143	157109	Bracket Arm Idler 42"
23	177563	Bracket, Deflector Mower 42"	144	158634	Keeper Belt 42" Clutch Cable
24	105304X	Cap, Sleeve 80 x 112 Blk Mower	145	165888	Pulley Idler Flat
25	123713X	Spring, Torsion, Deflector 2 52	146	171977	Bolt Carriage Idler
26	110452X	Nut, Push Phos & Oil	147	131335	Spring Extention
27	130968X428	Shield, Deflector 42" Blk	148	169022	Spring Return Idler
28	19111016	Washer 11/32 x 5/8 x 16 Ga.	149	165898	Retainer Spring Yellow
29	131491	Rod, Hinge 42" 6 75 W/G	150	19091210	Washer 9/32 x 3/4 x 10 Ga.
30	173984	Screw Thdrol	159	72140614	Bolt Rdhd Sqn 3/8-16 unc x 1-3/4
31	187690	Washer, Spacer Mower Vented	182	179126	Rod Roller Nose
32	153535	Pulley, Mandrel	183	163552	Retainer Spring
33	178342	Nut, Toplock	184	19131410	Washer 13/32 x 7/8 x 10 Ga.
34	72110612	Bolt Carr SH 3/8-16 x 1-1/2 Gr.5	--	130794	Mandrel Assembly (Includes Housing Shaft and Shaft Hardware Only - Pulley Not Included)
36	131494	Pulley, Idler, Flat	--	171494	Replacement Mower, Complete (Std. deck Order separately gauge wheel and nose roller componants Key Nos. 191, 94-95,16-119, 132, 183)
40	73900600	Nut Lock 3/8-16			
44	140088	Guard, Mandrel, LH			
45	4497H	Retainer			
46	137729	Screw, Thdrol 1/4-20 x 5/8 T			
48	133944	Washer Hardened			
52	139888	Bolt Shld 5/16-18			
53	184907	fArm Asm Brake			

NOTE: All component dimensions given in U.S. inches
1 inch = 25.4 mm

TRACTOR - - MODEL NUMBER XT24H42YT (96012003700)

MOWER LIFT



lift-rh.1pc.stlt_12

KEY NO.	PART NO.	DESCRIPTION
1	179504	Plunger Asm.
2	159476	Shaft Asm Lift RH w/Inf
3	188822	Pin Groove 2"
4	12000002	E Ring #5133-62
5	19211621	Washer 21/32 x 1 x 21 Ga.
6	120183X	Bearing Nylon Blk 629 Id
7	175830	Grip Handle
11	139865	Link Lift LH Fixed Length
12	139866	Link Lift RH Fixed Length
13	4939M	Retainer Spring
15	173288	Link Front
16	73350800	Nut Jam Hex 1/2-13 unc
17	175689	Trunnion
18	73800800	Nut Lock W/Wsh 1/2-13 unc
19	139868	Arm Suspension Rear
20	163552	Retainer Spring
23	110807X	Nut Special
24	19131016	Washer 13/32 x 5/8 x 16 Ga.

KEY NO.	PART NO.	DESCRIPTION
25	164024	Spring Infin. Height
26	169484	Retainer Clip
27	164543	Rod Adjust Lift
28	73350600	Nut Hex Jam 3/8-16 unc
29	138057	Knob Infin. 3/8-16 unc
30	150233	Trunnion Infi. Height
31	169865	Bearing Pvt Lift
32	73540600	Nut Crownlock 3/8 - 24
36	155097	Pointer Height Indicator
37	123935X	Plug Hole
38	17060516	Screw 5/16-18 x 1
40	19112410	Washer 11/32 x 1-1/2 10 Ga.
41	155098	Indicator Height
49	145212	Nut Hexflange Lock
50	110452X	Nut Push

NOTE: All component dimensions given in U.S. inches
1 inch = 25.4 mm