

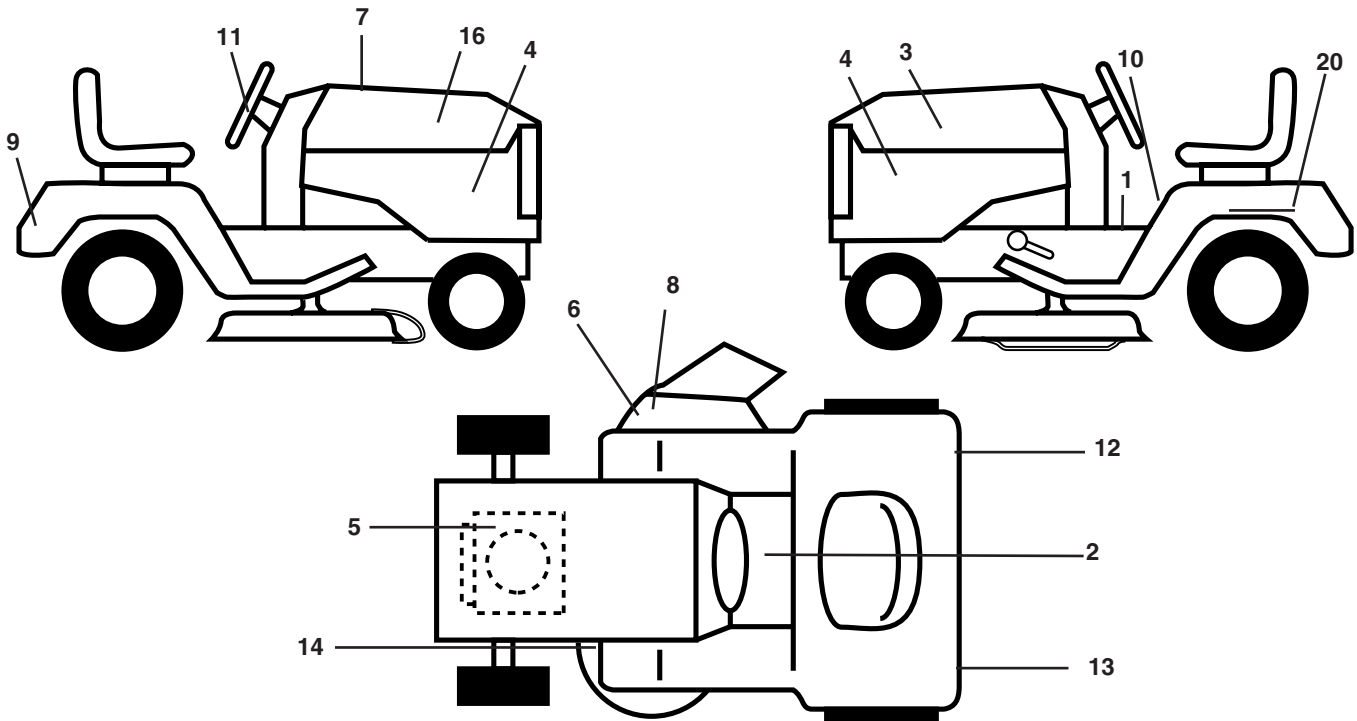
ILLUSTRATED PARTS LIST

MODEL NO. 96012003001

CUSTOMER CATALOG NO. DB185H42YT

TRACTOR - - MODEL NUMBER DB185H42YT (96012003001)

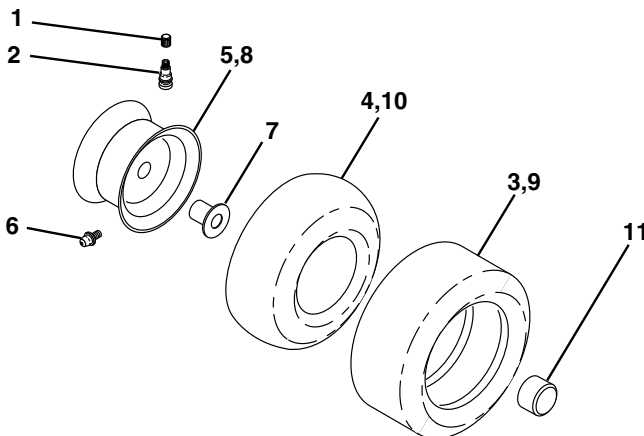
DECALS



| KEY NO. | PART NO. | DESCRIPTION |
|---------|----------|-------------------------------|
| 1 | 193939 | Decal Oper |
| 2 | 186503 | Decal Dash |
| 3 | 176273 | Decal Hood LH |
| 4 | 189289 | Decal Side Panel Logo |
| 5 | 189288 | Decal Eng. HP |
| 6 | 170563 | Decal Warning, Keep Hand Away |
| 7 | 194984 | Decal Replacement Parts |
| 8 | 179128 | Decal Deck "B" 42" |
| 9 | 172740 | Decal Fender Logo |
| 10 | 157140 | Decal Fender Danger E/F |
| 11 | 172743 | Decal Ins Strg Whl |

| KEY NO. | PART NO. | DESCRIPTION |
|---------|---------------|-------------------------|
| 12 | 173587 | Decal Fend Reflector Rh |
| 13 | 173589 | Decal Fend Reflector Lh |
| 14 | 160396 | Decal V-Belt Schematic |
| 16 | 176272 | Decal Hood Rh |
| 20 | 145005 | Decal Bat Dan/Psn |
| -- | 166960 | Decal By Pass Lt Hydro |
| -- | 184310X428 | Pad Footrest LH |
| -- | 184311X428 | Pad Footrest RH |
| -- | 195018 | Manual Operator's E&F |
| -- | 199104 | Manual Parts E&F |

WHEELS AND TIRES

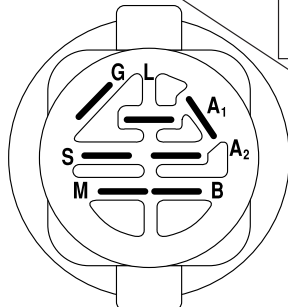
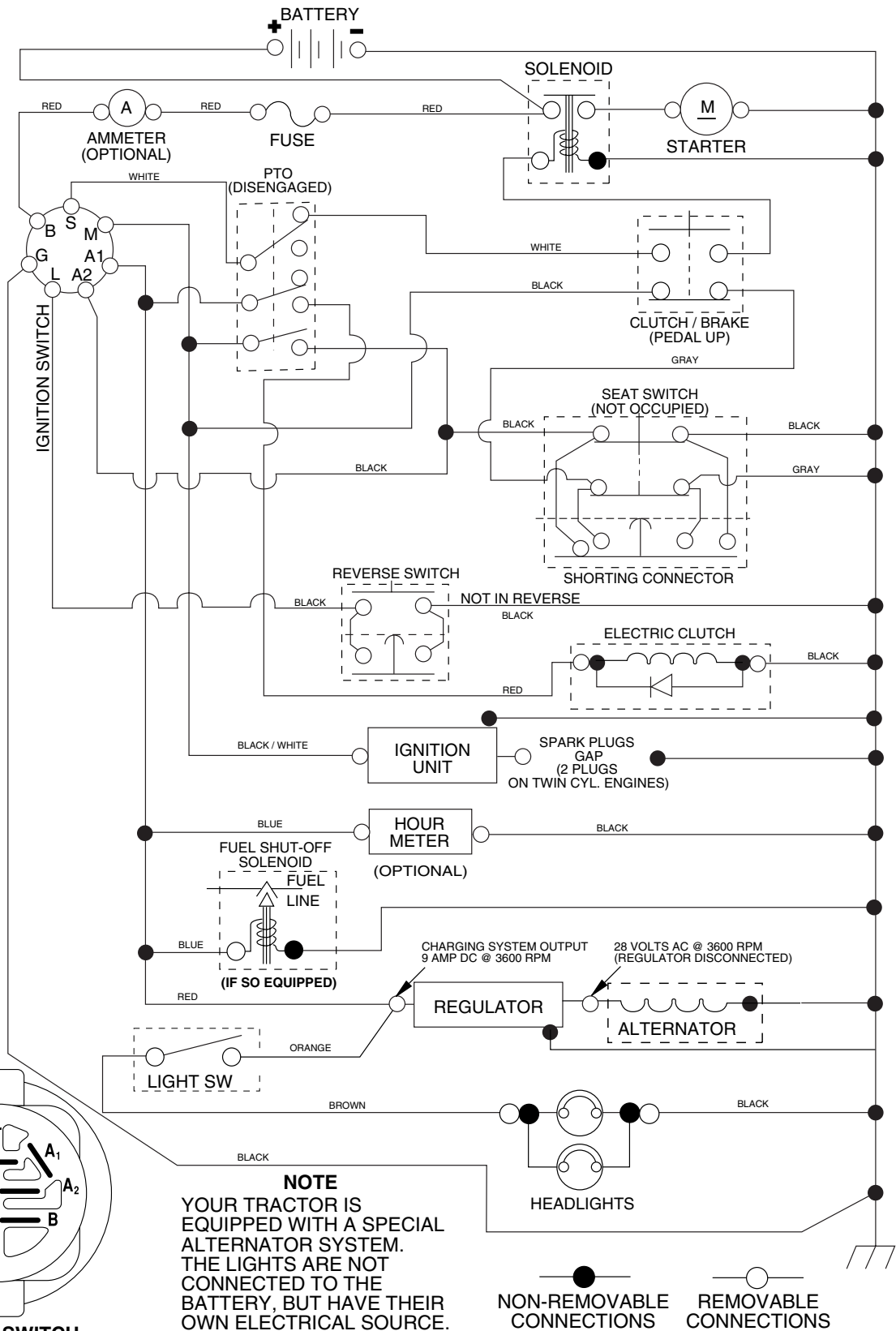


| KEY NO. | PART NO. | DESCRIPTION |
|---------|------------|-----------------------------------|
| 1 | 59192 | Cap Valve Tire |
| 2 | 65139 | Stem Valve |
| 3 | 106222X | Tire F T 15 x 6 0 - 6 Service |
| 4 | 59904 | Tube Front (Service Item Only) |
| 5 | 106732X421 | Rim Asm 6" front Service |
| 6 | 278H | Fitting Grease (Front Wheel Only) |
| 7 | 9040H | Bearing Flange (Front Wheel nly) |
| 8 | 106108X421 | Rim Asm 8" rear Service |
| 9 | 138468 | Tire R T 20 x 8-8 Service |
| 10 | 7152J | Tube Rear (Service Item Only) |
| 11 | 104757X421 | Cap Axle Blk 1 50 x 1 00 |
| -- | 144334 | Sealant, Tire (10 oz. Tube) |

NOTE: All component dimensions given in U.S. inches
1 inch = 25.4 mm

TRACTOR - - MODEL NUMBER DB185H42YT (96012003001)

SCHEMATIC



IGNITION SWITCH

| POSITION | CIRCUIT | "MAKE" |
|--------------|------------|--------|
| OFF | M+G+A1 | |
| RUN/OVERRIDE | B+A1 | |
| RUN | B+A1 | L+A2 |
| START | B + S + A1 | |

02834

NOTE
 YOUR TRACTOR IS EQUIPPED WITH A SPECIAL ALTERNATOR SYSTEM. THE LIGHTS ARE NOT CONNECTED TO THE BATTERY, BUT HAVE THEIR OWN ELECTRICAL SOURCE. BECAUSE OF THIS, THE BRIGHTNESS OF THE LIGHTS WILL CHANGE WITH ENGINE SPEED. AT IDLE THE LIGHTS WILL DIM. AS THE ENGINE IS SPEEDED UP, THE LIGHTS WILL BECOME THEIR BRIGHTEST.

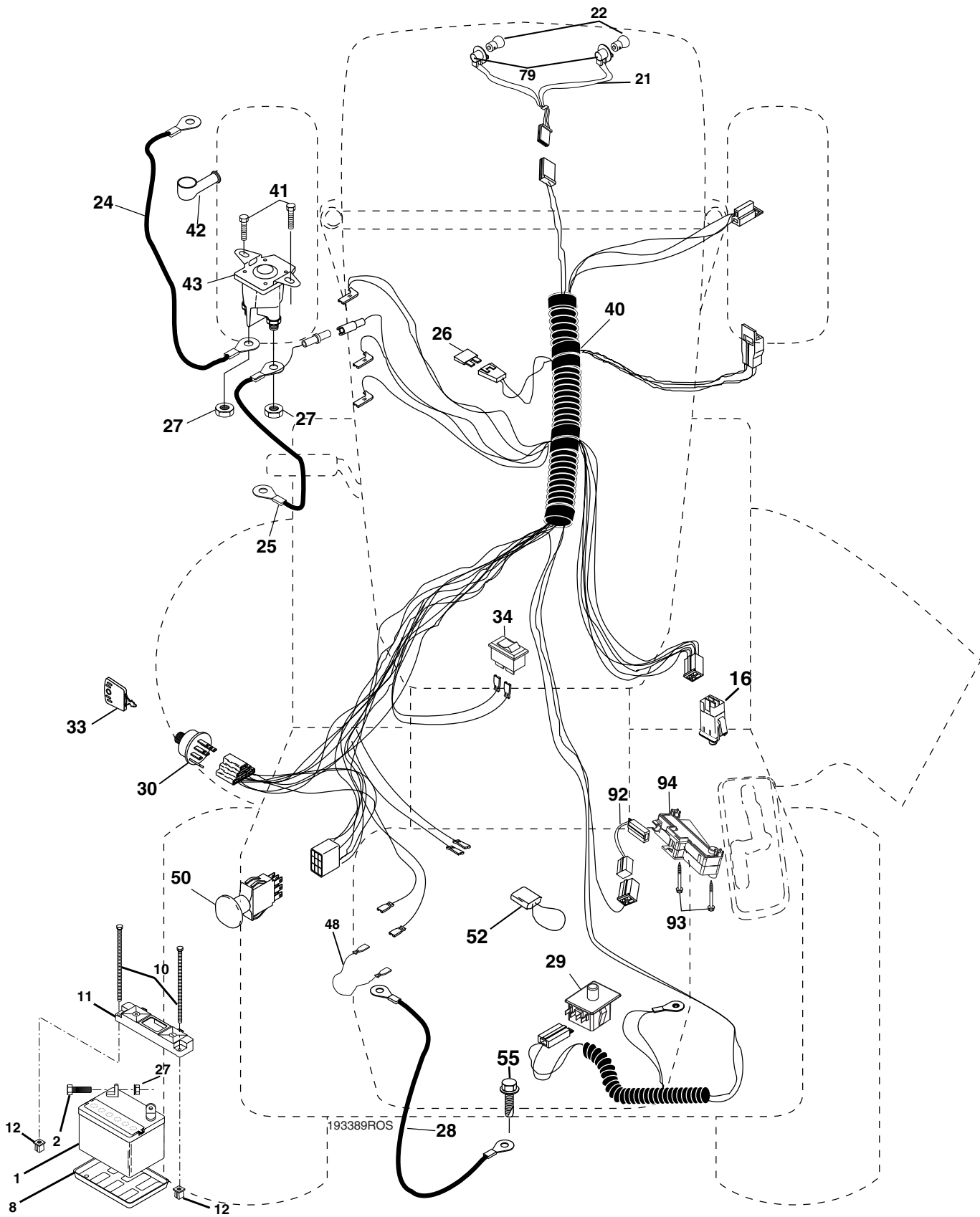
NON-REMOVABLE CONNECTIONS REMOVABLE CONNECTIONS

WIRING INSULATED CLIPS

NOTE: IF WIRING INSULATED CLIPS WERE REMOVED FOR SERVICING OF UNIT, THEY SHOULD BE REPLACED TO PROPERLY SECURE YOUR WIRING.

TRACTOR - - MODEL NUMBER DB185H42YT (96012003001)

ELECTRICAL



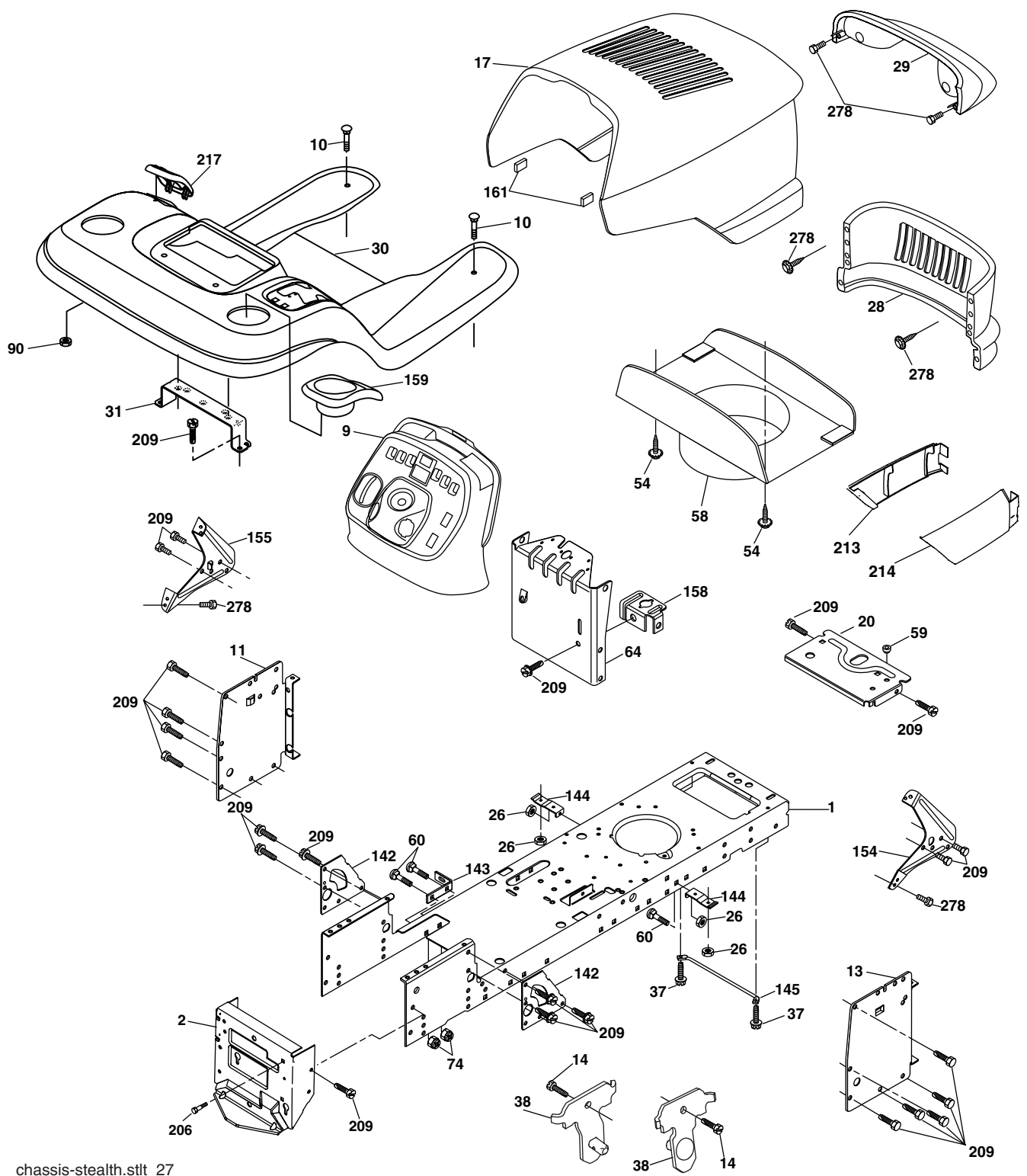
TRACTOR - - MODEL NUMBER DB185H42YT (96012003001)
ELECTRICAL

| KEY NO. | PART NO. | DESCRIPTION |
|----------------|-----------------|-----------------------------------|
| 1 | 144927 | Battery |
| 2 | 74760412 | Bolt Hex Hd 1/4-20 unc x 3/4 |
| 8 | 7603J | Tray Battery |
| 10 | 145211 | Bolt Battery Front 1/4-20 x 7.5 |
| 11 | 150109 | Holddown Battery |
| 12 | 145769 | Nut Push Nylon 1/4 |
| 16 | 176138 | Switch Interlock |
| 21 | 175688 | Harness Socket Light |
| 22 | 4152J | Bulb, Light # 1156 |
| 24 | 8860R | Cable Battery |
| 25 | 146148 | Cable Battery 6 Ga. Red w/16 wire |
| 26 | 175158 | Fuse |
| 27 | 73510400 | Nut Keps Hex 1/4-20 unc |
| 28 | 145491 | Cable Ground 21" Blk 6 Ga. |
| 29 | 192749 | Switch Seat |
| 30 | 193350 | Switch Ign |
| 33 | 140401 | Key Ign Molded Generic |
| 34 | 110712X | Switch Light/Reset |
| 40 | 193389 | Harness Ign |
| 41 | 17720408 | Bolt Fin Hex 1/4-20 unc x 1/2 |
| 42 | 131563 | Cover Terminal Red |
| 43 | 178861 | Solenoid |
| 48 | 140844 | Adaptor Ameter |
| 50 | 174653 | Switch PTO |
| 52 | 141940 | Protection Loop |
| 55 | 17490508 | Screw Thdrol 5/16-18 x 1/2 |
| 79 | 175242 | Socket Asm Bulb Twistlock |
| 92 | 193465 | Harness Pigtail Reverse Switch |
| 93 | 192540 | Screw Plastite 10-14 x 2.0 |
| 94 | 191834 | Module Revers ROS |

NOTE: All component dimensions given in U.S. inches
1 inch = 25.4 mm

TRACTOR - - MODEL NUMBER DB185H42YT (96012003001)

CHASSIS



chassis-stealth.stlt_27

TRACTOR - - MODEL NUMBER DB185H42YT (96012003001)

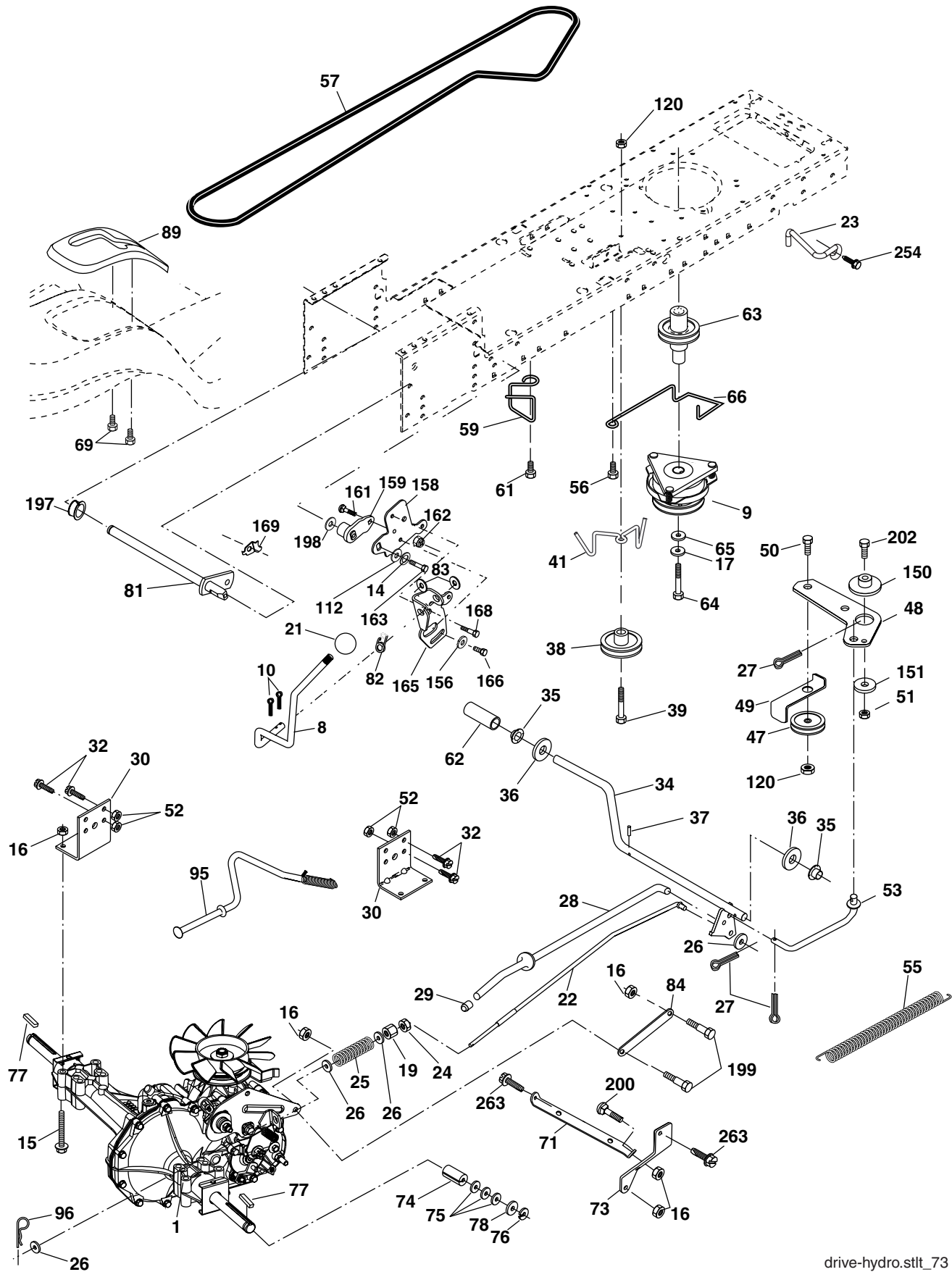
CHASSIS

| KEY NO. | PART NO. | DESCRIPTION |
|---------|------------|---------------------------------|
| 1 | 174619 | Chassis |
| 2 | 176554 | Drawbar |
| 9 | 193635X428 | Dash |
| 10 | 72140608 | Bolt Carriage 3/8-16 x 1 |
| 11 | 167203 | Panel Dash Lh |
| 13 | 188702X010 | Panel Dash Rh |
| 14 | 17490608 | Screw Thdrol 3/8-16 x 1/2 |
| 17 | 175260X428 | Hood |
| 20 | 162026 | Plate Battery |
| 26 | 73800600 | Nut Lock Hex W/Ins 3/8-16 unc |
| 28 | 175289X428 | Grille |
| 29 | 161840 | Lens Bar |
| 30 | 192395X428 | Fender Footrest |
| 31 | 139976 | Bracket Fender |
| 37 | 17490508 | Screw Thdrol 6/16-18 x 1/2 TYT |
| 38 | 175710 | Bracket Asm Pivot Mower Rear |
| 54 | 192512 | Screw WSHD Hex 10-32 x 5/8 |
| 58 | 175351 | Duct Air |
| 59 | 187495 | Bushing |
| 60 | 72140606 | Bolt RDHD Sqnk 3/8-16 unc x 3/4 |
| 64 | 174997 | Dash Lower STLT |
| 74 | 73680600 | Nut Crownlock 3/8-16 unc |
| 90 | 124346X | Nut Self Thd Wsh - HD 1/4 Zinc |
| 142 | 175702 | Plate Reinforcement STLT |
| 143 | 186689 | Bracket Swaybar Chassis |
| 144 | 175582 | Bracket Footrest Step-thru |
| 145 | 156524 | Rod Pivot Chassis/Hood |
| 154 | 161897 | Bracket Dash RH |
| 155 | 161900 | Bracket Dash LH |
| 158 | 162037 | Bracket Parking Brake |
| 159 | 191120X428 | Cupholder |
| 161 | 164655 | Bumper Hood |
| 206 | 170165 | Bolt Shoulder 5/16-18 |
| 209 | 17000612 | Screw Hexwsh Thdr 3/8-16 x 3/4 |
| 213 | 169848X428 | Skirt Grille LH |
| 214 | 169847X428 | Skirt Grille RH |
| 217 | 179132X428 | Console Fuel Window |
| 278 | 191611 | Screw 10 x 3/4 Single Lead-Hex |

NOTE: All component dimensions given in U.S. inches
1 inch = 25.4 mm

TRACTOR - - MODEL NUMBER DB185H42YT (96012003001)

DRIVE



drive-hydro.sttt_73

TRACTOR - - MODEL NUMBER DB185H42YT (96012003001)

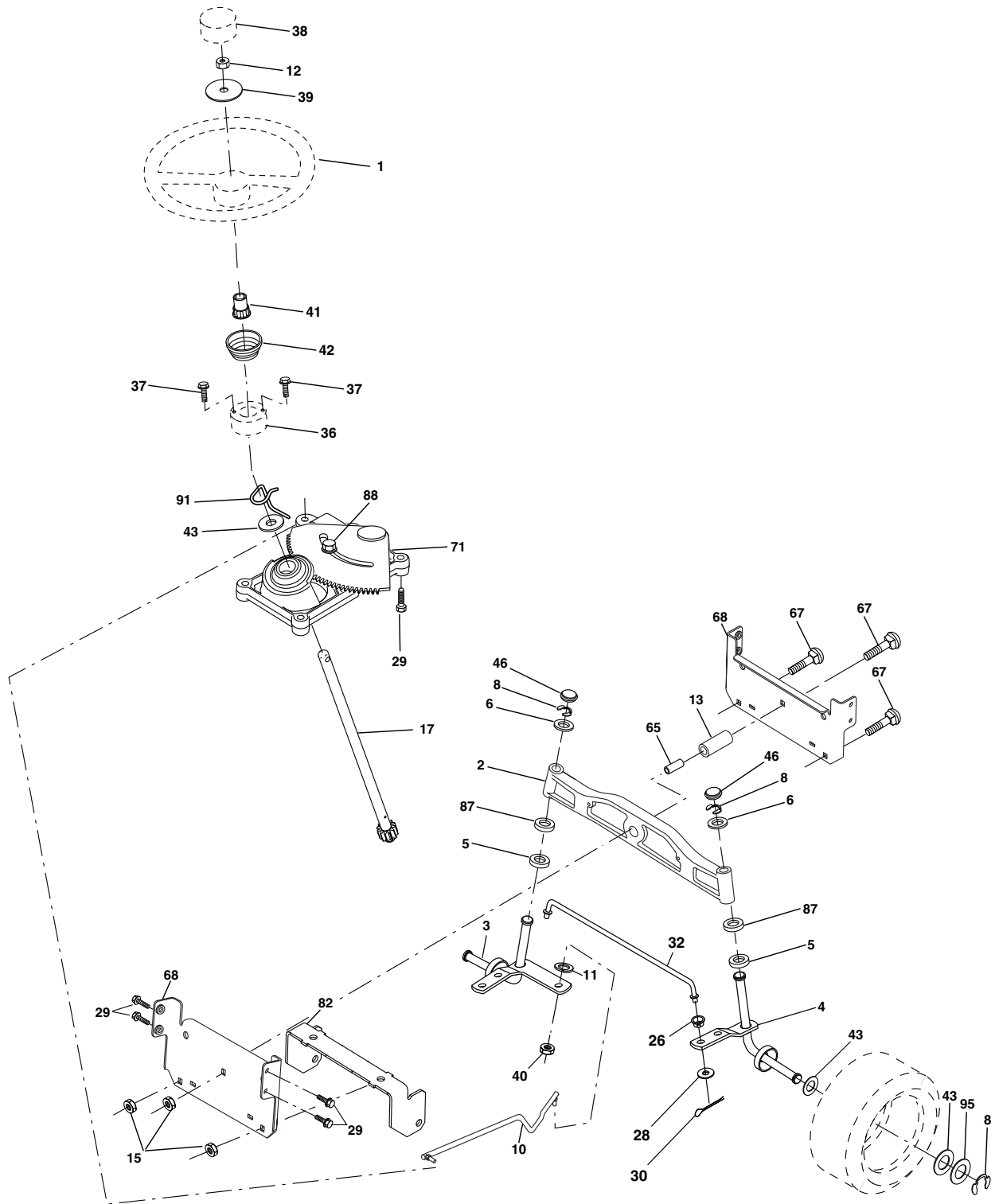
DRIVE

| KEY NO. | PART NO. | DESCRIPTION | KEY NO. | PART NO. | DESCRIPTION |
|---------|----------|--|---------|------------|--------------------------------------|
| 1 | ----- | Transaxle Hydro Gear 314-0510 (Order Parts From Transaxle Manufacturer) | 63 | 174607 | Pulley, Engine |
| 8 | 192502 | Rod Shift | 64 | 173937 | Bolt Hex 7/16-20 x 4 x Gr. 5-1.5 Thr |
| 9 | 180505 | Clutch Ogura | 65 | 10040700 | Washer |
| 10 | 76020416 | Pin Cotter 1/8 x 1 CAD | 66 | 154778 | Keeper Belt Engine |
| 14 | 10040400 | Washer Lock Hvy Helical | 69 | 142432 | Screw Hex Wsh Hi-Lo 1/4 x 1/2 unc |
| 15 | 74490544 | Bolt, Hex FLGHD 5/16-18 Gr. 5 | 71 | 169183 | Strap Torque Lh Hydro |
| 16 | 73800500 | Nut Lock Hex W/Ins 5/16-18 unc | 73 | 169182 | Strap Torque Rh Hydro |
| 17 | 126197X | Washer | 74 | 137057 | Spacer, Axle |
| 19 | 73800600 | Nut Lock Hex W/Wsh 3/8-16 unc | 75 | 121749X | Washer 25/32 x 1-1/4 x 16 Ga. |
| 21 | 106933 | Knob | 76 | 12000001 | E-Ring |
| 22 | 169498 | Rod, Brake Hydro | 77 | 123583X | Key, Square |
| 23 | 190736 | Bracket Anti Rotation | 78 | 121748X | Washer 25/32 x 1-5/8 x 16 Ga. |
| 24 | 73350600 | Nut | 81 | 165596 | Shaft Asm. Cross Hydro |
| 25 | 106888X | Spring, Brake Rod | 82 | 165711 | Spring Torsion T/A |
| 26 | 19131316 | Washer | 83 | 19171216 | Washer 17/32 x 3/4 x 16 Ga. |
| 27 | 76020412 | Pin Cotter 1/8 x 3/4 CAD. | 84 | 169594 | Link Transaxle |
| 28 | 175765 | Rod, Parking Brake | 89 | 192387X428 | Console, Shift |
| 29 | 71673 | Cap, Parking Brake | 95 | 170201 | Control Asm Bypass Hydro |
| 30 | 169592 | Bracket, Transaxle | 96 | 4497H | Retainer Spring 1" Zinc/Cad |
| 32 | 74760512 | Bolt Hex Hd 5/16-18 unc x 3/4 | 112 | 19091210 | Washer 9/32 x 3/4 x 10 Ga. |
| 34 | 175578 | Shaft, Foot Pedal | 120 | 73900600 | Nut Lock Flg 3/8-16 unc |
| 35 | 120183X | Bearing, Nylon | 150 | 175456 | Spacer Retainer |
| 36 | 19211616 | Washer | 151 | 19133210 | Washer 13/32 x 2 x 10 Ga. |
| 37 | 1572H | Pin, Roll | 156 | 166002 | Washer Srrted 5/16 ID x 1.125 |
| 38 | 179114 | Pulley, Composite | 158 | 165589 | Bracket Shift Mount |
| 39 | 72110622 | Bolt Rdhd 3/8-16 unc x 2-3/4 Gr. 5 | 159 | 183900 | Hub Shift |
| 41 | 175556 | Keeper, Belt Idler | 161 | 72140406 | Bolt Rdhd Sqnk 1/4-20 x 3/4 Gr. 5 |
| 47 | 127783 | Pulley, Idler, V-Groove | 162 | 73680400 | Nut Crownlock 1/4-20 unc |
| 48 | 154407 | Bellcrank Clutch Grnd Drv STL | 163 | 74780416 | Bolt Hex Fin 1/4-20 unc x 1 Gr. 5 |
| 49 | 123205X | Retainer, Belt | 165 | 165623 | Bracket Pivot Lever |
| 50 | 72110612 | Bolt Carr Sh 3/8-16 x 1-1/2 Gr. 5 | 166 | 17490510 | Screw 5/16-18 x 5/8 |
| 51 | 73680600 | Nut Crownlock 3/8-16 unc | 168 | 165492 | Bolt Shoulder 5/16-18 x .561 |
| 52 | 73680500 | Nut Crownlock 5/16-18 unc | 169 | 165580 | Plate Fastening Lt |
| 53 | 105710X | Link, Clutch | 197 | 169613 | Nyliner Snap-In 5/8" ID |
| 55 | 105709X | Spring, Return, Clutch | 198 | 169593 | Washer Nyl 7/8 ID x .105 |
| 56 | 17060620 | Screw 3/8-16 x 1-1/4 | 199 | 169612 | Bolt Shoulder 5/16-18 unc |
| 57 | 140294 | V-Belt, Ground Drive | 200 | 72140508 | Bolt Rdhd Sqnk 5/16-18 unc x 1 |
| 59 | 169691 | Keeper, Center Span | 202 | 72110614 | Bolt Carr Sh 3/8-16 x 1-3/4 Gr. 5 |
| 61 | 17120614 | Screw 3/8-16 x .875 | 254 | 17000616 | Screw 3/8-16 x 1 |
| 62 | 123533 | Cover, Pedal | 263 | 17000612 | Thdrol Screw 3/8-16 x 3/4 |

NOTE: All component dimensions given in U.S. inches
1 inch = 25.4 mm

TRACTOR - - MODEL NUMBER DB185H42YT (96012003001)

STEERING ASSEMBLY



steering_stealth_prem_12

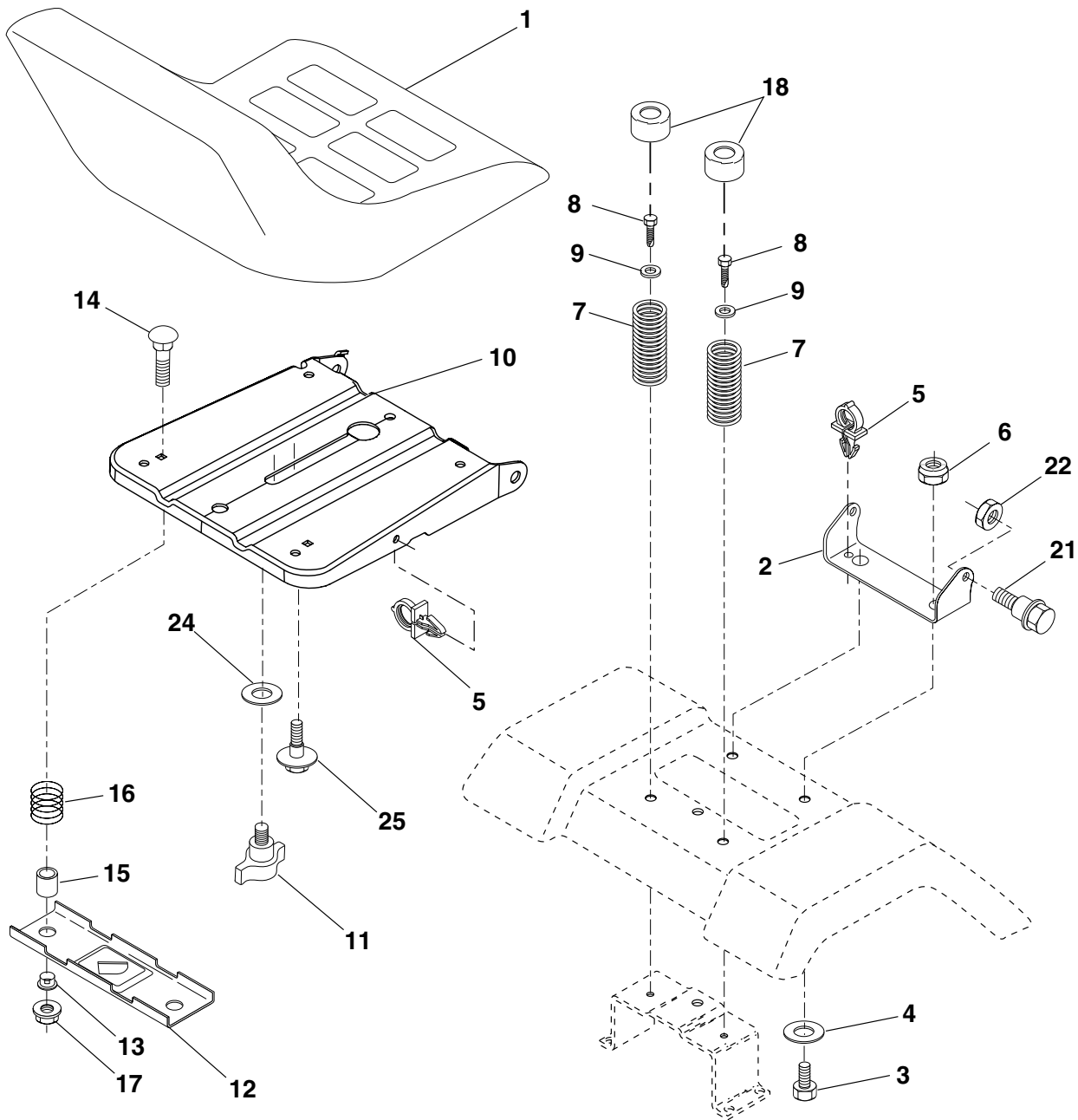
TRACTOR - - MODEL NUMBER DB185H42YT (96012003001)
STEERING ASSEMBLY

| KEY NO. | PART NO. | DESCRIPTION |
|----------------|-----------------|------------------------------------|
| 1 | 186094X428 | Wheel Steering |
| 2 | 184706 | Axle Asm Cast Iron LT |
| 3 | 169840 | Spindle Asm LH |
| 4 | 169839 | Spindle Asm RH |
| 5 | 6266H | Bearing Race Thrust Harden |
| 6 | 121748X | Washer 25/32 x 1-5/8 x 16 Ga. |
| 8 | 12000029 | Ring Klip #t5304-75 |
| 10 | 175121 | Link Drag |
| 11 | 10040600 | Washer Lock Hvy Hlcl Spr 3/8 |
| 12 | 73940800 | Nut Hex Jam Toplock 1/2-20 unf |
| 13 | 136518 | Spacer Brg Axle Front |
| 15 | 145212 | Nut Hex Flange Lock |
| 17 | 177883 | Shaft Asm Steering |
| 26 | 126847X | Bushing Link Drag |
| 28 | 19131416 | Washer 13/32 x 7/8 x 16 Ga. |
| 29 | 17000612 | Screw 3/8-16 x .75 |
| 30 | 76020412 | Pin Cotter 1/8 x 3/4 |
| 32 | 192757 | Rod Tie |
| 36 | 155105 | Bushing Strg |
| 37 | 152927 | Screw |
| 38 | 186095X428 | Insert Cap Strg Wh |
| 39 | 19183812 | Washer 9/16 ID x 2-3/8 OD x 12 Ga. |
| 40 | 73540600 | Crownlock nut |
| 41 | 186737 | Adaptor Wheel Strg |
| 42 | 163888X428 | Boot Steering Dash |
| 43 | 121749X | Washer 25/32 x 1 1/4 x 16 Ga. |
| 46 | 121232X | Cap Spindle Fr Top Blk |
| 65 | 160367 | Spacer Brace Axle |
| 67 | 72110618 | Bolt RDHD SQNK 3/8-16 x 2 1/4 |
| 71 | 175146 | Steering Asm |
| 68 | 169827 | Axle, Brace |
| 82 | 169835 | Bracket Susp Chassis Front |
| 87 | 173966 | Washer Flat .781 x 1-1/2 x .14 |
| 88 | 175118 | Bolt Shoulder 7/16-20 unc |
| 91 | 175553 | Clip Steering |
| 95 | 188967 | Washer Harden .739 x 1.637 x 060 |

NOTE: All component dimensions given in U.S. inches
1 inch = 25.4 mm

TRACTOR - - MODEL NUMBER DB185H42YT (96012003001)

SEAT ASSEMBLY



seat_lt.knob_2

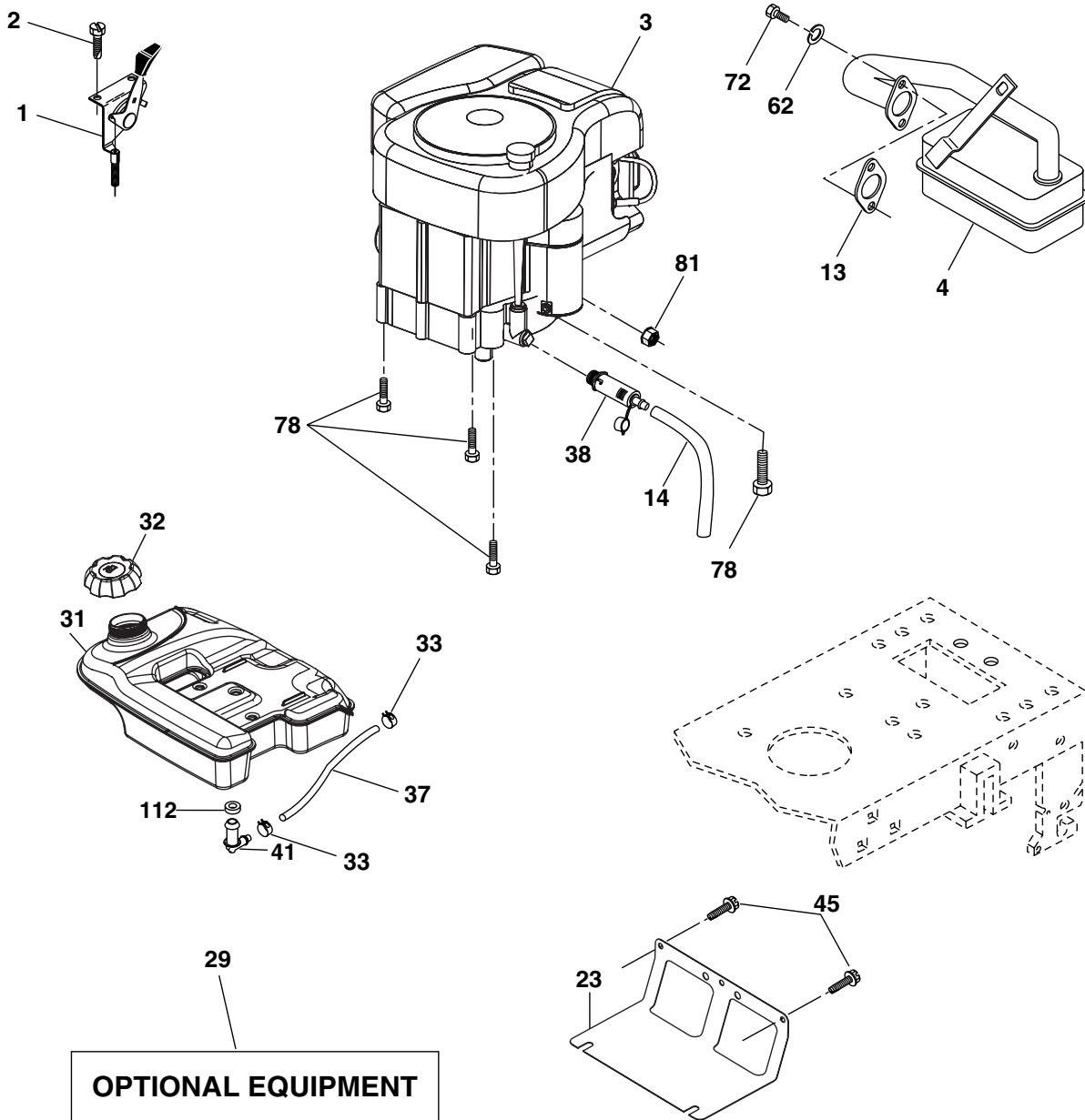
| KEY NO. | PART NO. | DESCRIPTION |
|---------|----------|--------------------------------|
| 1 | 188720 | Seat |
| 2 | 140551 | Bracket Pivot Seat 8 720 |
| 3 | 71110616 | Bolt Fin Hex 3/8-16 unc x 1 |
| 4 | 19131610 | Washer 13/32 x 1 x 10 Ga. |
| 5 | 145006 | Clip Push-In |
| 6 | 73800600 | Nut Hex w/Ins. 3/8-16 unc |
| 7 | 124181X | Spring Seat Cprsn 2 250 Blk Zi |
| 8 | 17000616 | Screw 3/8-16 x 1.5 Smgml |
| 9 | 19131614 | Washer 13/32 x 1 x 14 Ga. |
| 10 | 182493 | Pan Seat |
| 11 | 166369 | Knob Seat |
| 12 | 174648 | Bracket Mounting Switch |

| KEY NO. | PART NO. | DESCRIPTION |
|---------|----------|---------------------------------|
| 13 | 121248X | Bushing Snap Blk Nyl 50 Id |
| 14 | 72050412 | Bolt Rdhd Sqnk 1/4-20 x 1-1/2 |
| 15 | 134300 | Spacer Split 28 x 96 |
| 16 | 121250X | Spring Cprsn |
| 17 | 123976X | Nut Lock 1/4 Lge Flg Gr. 5 Zinc |
| 18 | 124238X | Cap Spring Seat |
| 21 | 171852 | Bolt Shoulder 5/16-18 unc |
| 22 | 73800500 | Nut Hex Lock W/Ins 5/16-18 |
| 24 | 19171912 | Washer 17/32 x 1-3/16 x 12 Ga. |
| 25 | 127018X | Bolt Shoulder 5/16-18 x 62 |

NOTE: All component dimensions given in U.S. inches
1 inch = 25.4 mm

TRACTOR - - MODEL NUMBER DB185H42YT (96012003001)

ENGINE



OPTIONAL EQUIPMENT
Spark Arrester

engine-bs.1cyl_53

| KEY NO. | PART NO. | DESCRIPTION |
|---------|------------|--|
| 1 | 176636X428 | Control, Throttle/Choke |
| 3 | ----- | Engine Briggs Model 31P777 (Order Parts from Engine Mfg.) |
| 4 | 137352 | Muffler |
| 2 | 191611 | Screw 10 x 3/4 Single Lead Hex |
| 13 | 165291 | Muffler Gasket |
| 14 | 148456 | Tube Oil Drain |
| 23 | 169837 | Shield, Browning/Debris Guard |
| 29 | 137180 | Arrester, Spark |
| 31 | 179022 | Tank, Fuel |
| 32 | 179124X428 | Cap Gauge, Fuel |
| 33 | 123487X | Clamp, Hose Blk |
| 37 | 8543R | Line, Fuel |
| 38 | 181654 | Plug Drain Oil Easy |
| 41 | 139277 | Stem Tank Fuel |
| 45 | 17000612 | Screw Hex Wsh Thdrol 3/8-16 x 3/4 |

| KEY NO. | PART NO. | DESCRIPTION |
|---------|----------|--------------------------------|
| 62 | 10010500 | Washer Split |
| 72 | 71070512 | Screw Hex Hd Cap 5/16-18 x 3/4 |
| 78 | 17060620 | Screw 3/8-16 x 1-1/4 |
| 81 | 73510400 | Nut Keps Hex 1/4-20 unc |
| 112 | 3645J | Bushing |

NOTE: All component dimensions given in U.S. inches
1 inch = 25.4 mm

For engine service and replacement parts, call the toll free number for your engine manufacturer listed below:

| | |
|-------------------|----------------|
| Briggs & Stratton | 1-800-233-3723 |
| Kohler Co. | 1-800-544-2444 |
| Tecumseh Products | 1-800-558-5402 |
| Honda Engines | 1-800-426-7701 |
| Kawasaki | 1-949-460-5688 |

TRACTOR - - MODEL NUMBER DB185H42YT (96012003001)

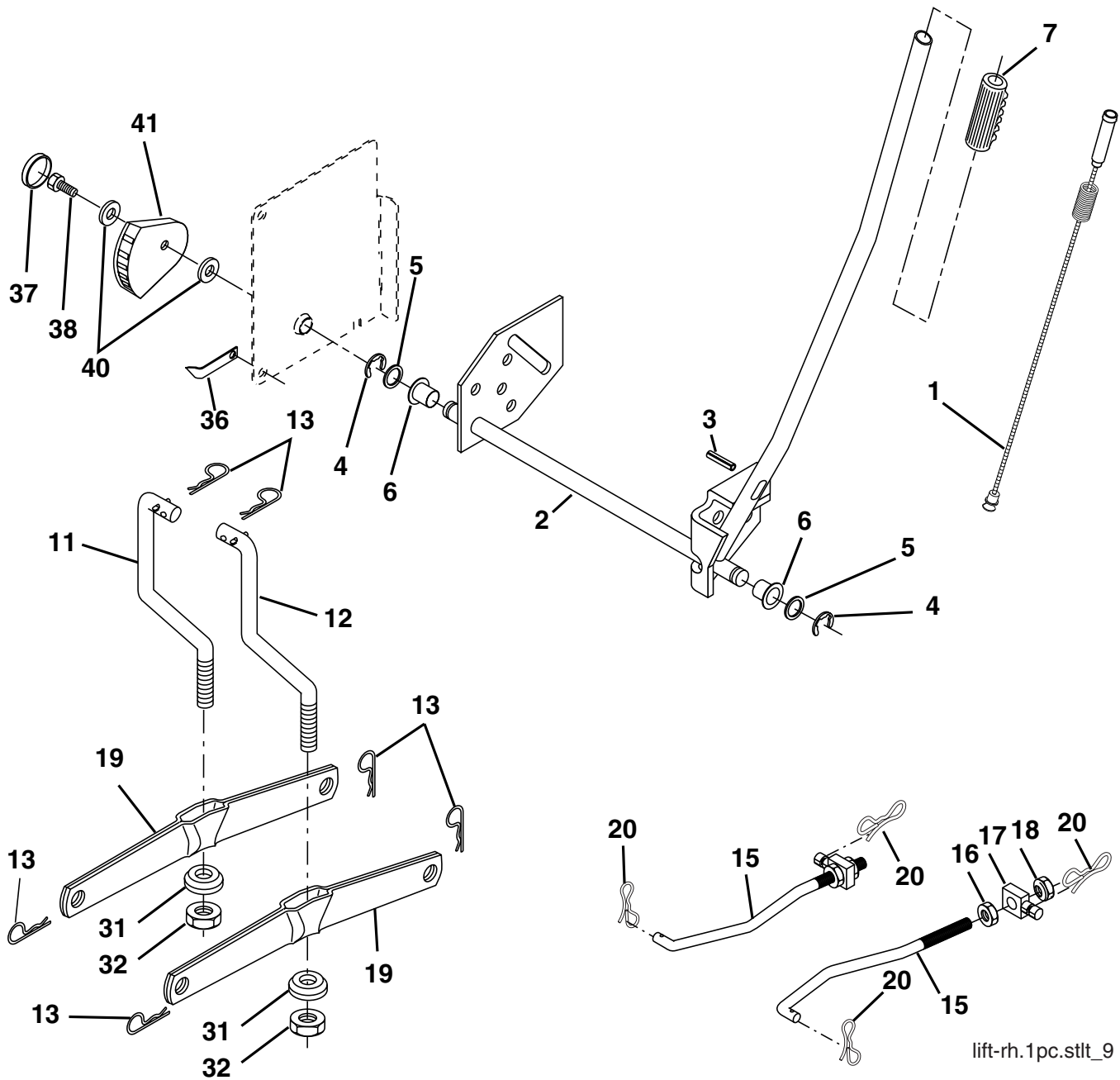
MOWER DECK

| KEY NO. | PART NO. | DESCRIPTION | KEY NO. | PART NO. | DESCRIPTION |
|---------|------------|--|---------|----------|---|
| 1 | 165892X421 | Mower Deck Assembly, 42" | 55 | 155046 | Arm, Idler |
| 2 | 72140506 | Bolt | 56 | 122052X | Spacer, Retainer |
| 3 | 138017 | Bracket Asm Fr. Sway Bar 3/42 | 59 | 141043 | Guard TUV Idler |
| 4 | 165460 | Bracket Asm Deck 42" Sway Bar | 61 | 174882 | Spring Ext Elect. Clutch |
| 5 | 4939M | Retainer Spring | 68 | 180260 | V-Belt, 42" Mower |
| 6 | 178024 | Bar Sway Deck | 91 | 180532 | Bracket Roller Nose LH |
| 8 | 850857 | Bolt 3/8-24 x 1.25 Gr. 8 patched | 92 | 73800600 | Nut Lock Hex w/Ins 3/8-16 unc |
| 9 | 10030600 | Washer, Lock | 94 | 132264 | Roller Nose |
| 10 | 140296 | Washer, Hardened | 95 | 180533 | Bracket Roller Nose RH |
| | | (The following Blades are available) | 111 | 179292 | Bracket Wheel Gauge LH |
| 11 | 138971 | Blade Mower 42" Hi-Lift (for bagging and discharging) | 112 | 179293 | Bracket Wheel Gauge RH |
| -- | 134149 | Blade, Mulching 42" Std (for mulching mowers only) | 113 | 17000510 | Screw 5/16-18 |
| -- | 139775 | Blade Mulching 42" Premium (For better wear when mulching) | 116 | 4898H | Bolt, Shoulder |
| | | | 117 | 188606 | Wheel, Gauge |
| 13 | 137645 | Shaft Assembly, Mandrel, Vented | 118 | 73930600 | Nut Centerlock 3/8-16 |
| 14 | 128774 | Housing, Mandrel, Vented | 119 | 19121414 | Washer 3/8 x 7/8 x 14 Ga. |
| 15 | 110485X | Bearing, Ball, Mandrel | 129 | 19131312 | Washer 13/32 x 13/16 x 12 Ga. |
| 16 | 174493 | Stripper, Mandrel Deck | 130 | 74780616 | Bolt Fin HEX 3/8-16 unc x 1 Gr. 5 |
| 18 | 72140505 | Bolt, Carriage 5/16-18 x 5/8 | 131 | 72140608 | Bolt RDHD SQNK 3/8-16 unc x 1 |
| 19 | 132827 | Bolt, Shoulder | 132 | 17000612 | Screw Hexwsh Thdr 3/8-16 x 3/4 |
| 20 | 159770 | Baffle, Vortex | 143 | 157109 | Bracket Arm Idler 42" |
| 21 | 73680500 | Nut | 144 | 173441 | Keeper Belt 42" Clutch Cable |
| 23 | 177563 | Bracket, Deflector Mower 42" | 145 | 173437 | Pulley Idler Flat |
| 24 | 105304X | Cap, Sleeve 80 x 112 Blk Mower | 146 | 173443 | Bolt Carriage Idler |
| 25 | 123713X | Spring, Torsion, Deflector 2 52 | 148 | 169022 | Spring Return Idler |
| 26 | 110452X | Nut, Push Phos & Oil | 149 | 165898 | Retainer Spring Yellow |
| 27 | 130968X428 | Shield, Deflector 42" Blk | 150 | 19091210 | Washer 9/32 x 3/4 x 10 Ga. |
| 28 | 19111016 | Washer 11/32 x 5/8 x 16 Ga. | 159 | 72140614 | Bolt Rdhd Sqn 3/8-16 unc x 1-3/4 |
| 29 | 131491 | Rod, Hinge 42" 6 75 W/G | 182 | 179126 | Rod Roller Nose |
| 30 | 173984 | Screw Thdrol | 183 | 163552 | Retainer Spring |
| 31 | 187690 | Washer, Spacer Mower Vented | 184 | 19131410 | Washer 13/32 x 7/8 x 10 Ga. |
| 32 | 173436 | Pulley, Mandrel | -- | 130794 | Mandrel Assembly (Includes Housing Shaft and Shaft Hardware Only - Pulley Not Included) |
| 33 | 178342 | Nut, Toplock | -- | 176207 | Replacement Mower, Complete (Std. deck Order separately mulcher cover, and gauge wheel components Key Nos. 101-106 and 116-119) |
| 34 | 72110612 | Bolt Carr SH 3/8-16 x 1-1/2 Gr.5 | | | |
| 36 | 173438 | Pulley, Idler, Flat | | | |
| 40 | 73900600 | Nut Lock 3/8-16 | | | |
| 44 | 140088 | Guard, Mandrel, LH | | | |
| 45 | 4497H | Retainer | | | |
| 46 | 137729 | Screw, Thdrol 1/4-20 x 5/8 T | | | |
| 54 | 178515 | Washer, Hardened | | | |

NOTE: All component dimensions given in U.S. inches
1 inch = 25.4 mm

TRACTOR - - MODEL NUMBER DB185H42YT (96012003001)

MOWER LIFT



| KEY NO. | PART NO. | DESCRIPTION |
|---------|----------|---------------------------|
| 1 | 197981 | Plunger Asm. |
| 2 | 198070 | Shaft Asm Lift RH w/Inf |
| 3 | 188822 | Pin Groove 2" |
| 4 | 12000002 | E Ring #5133-62 |
| 5 | 19211621 | Washer 21/32 x 1 x 21 Ga. |
| 6 | 120183X | Bearing Nylon Blk 629 Id |
| 7 | 175830 | Grip Handle |
| 11 | 139865 | Link Lift LH Fixed Length |
| 12 | 139866 | Link Lift RH Fixed Length |
| 13 | 4939M | Retainer Spring |
| 15 | 173288 | Link Front |
| 16 | 73350800 | Nut Jam Hex 1/2-13 unc |
| 17 | 175689 | Trunnion |

| KEY NO. | PART NO. | DESCRIPTION |
|---------|----------|--------------------------------|
| 18 | 73800800 | Nut Lock W/Wsh 1/2-13 unc |
| 19 | 139868 | Arm Suspension Rear |
| 20 | 194209 | Pin Cotter 7/16 Bow Tie Lock |
| 31 | 169865 | Bearing Pvt Lift |
| 32 | 73540600 | Nut Crownlock 3/8 - 24 |
| 36 | 155097 | Pointer Height Indicator |
| 37 | 123935X | Plug Hole Blk 1.485/1.515 Dia. |
| 38 | 17060516 | Screw 5/16-18 x 1 |
| 40 | 19112410 | Washer 11/32 x 1-1/2 10 Ga. |
| 41 | 155098 | Indicator Height STL |

NOTE: All component dimensions given in U.S. inches
1 inch = 25.4 mm