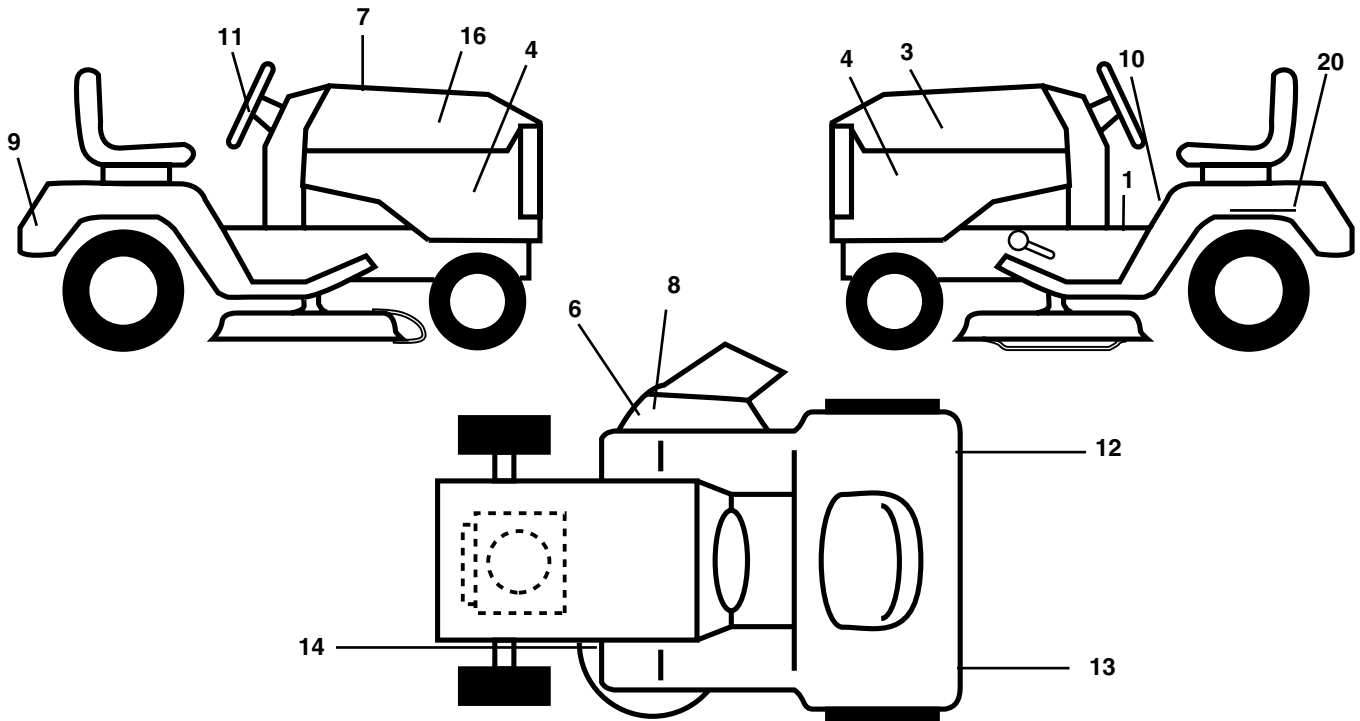


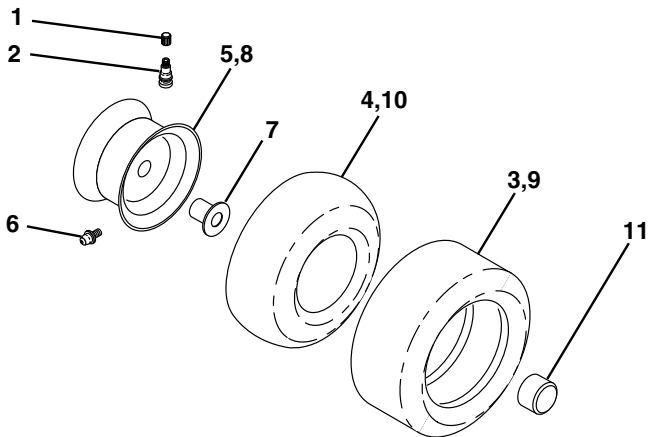
TRACTOR - - MODEL NUMBER PK19H42LT (96012001601)

DECALS



KEY NO.	PART NO.	DESCRIPTION	KEY NO.	PART NO.	DESCRIPTION
1	193939	Decal Oper	13	173589	Decal Fend Reflector Lh
3	186164	Decal Hood LH	14	160396	Decal V-Belt Schematic
4	194509	Decal Side Panel Logo	16	186163	Decal Hood Rh
6	170563	Decal Warning, Keep Hand Away	20	145005	Decal Bat Dan/Psn
7	194552	Decal Replacement Parts	--	179768X428	Pad Footrest LH
8	179128	Decal Deck "B" 42"	--	179769X428	Pad Footrest RH
9	172740	Decal Fender Logo	--	178392	Decal Chass Disconnect LTH 2000
10	157140	Decal Fender Danger E/F	--	138311	Decal Handle Lft Height Adjust
11	172743	Decal Ins Strg Whl	--	194831	Manual Operator's E&F
12	173587	Decal Fend Reflector Rh	--	199098	Manual Parts E&F

WHEELS AND TIRES

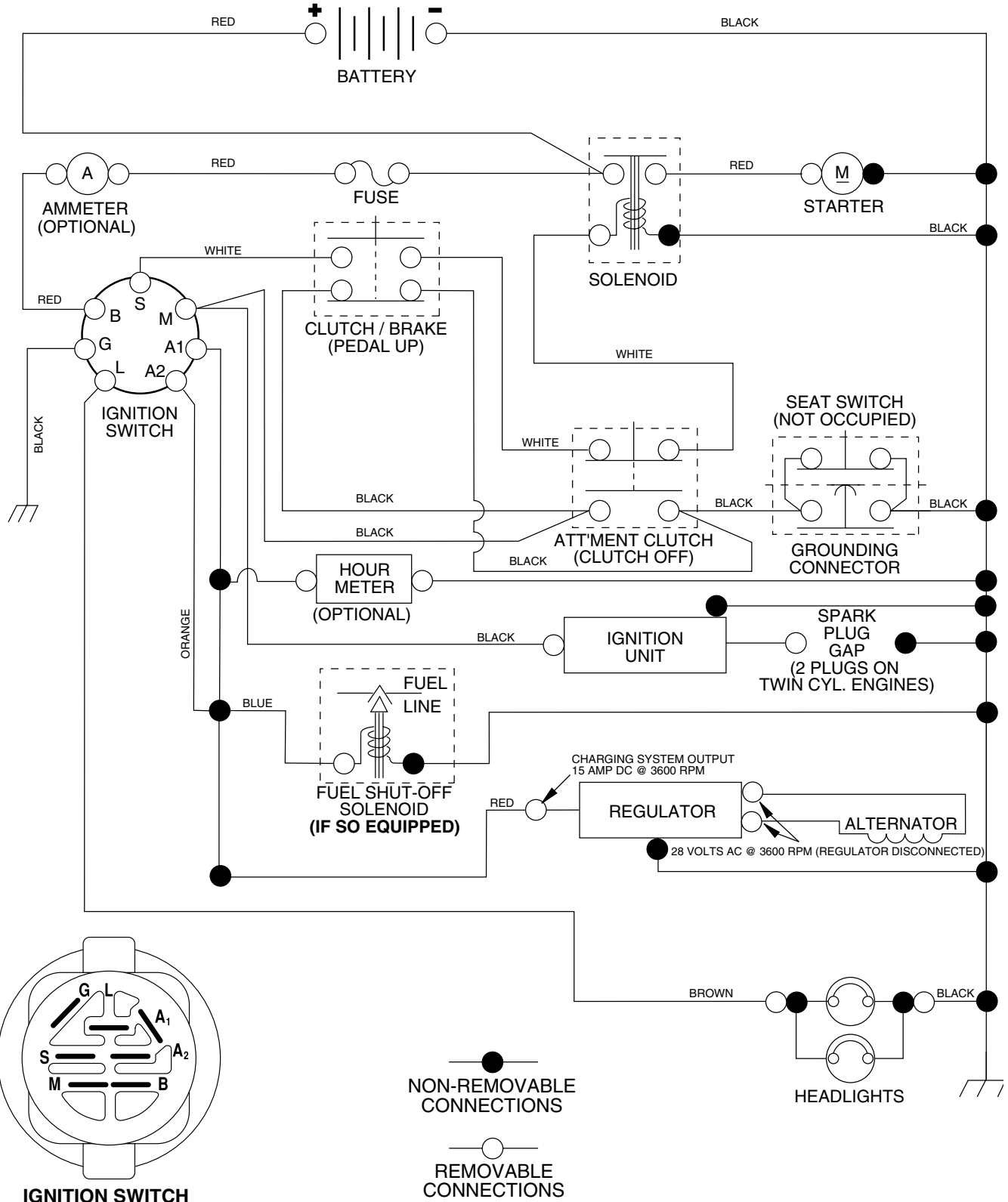


KEY NO.	PART NO.	DESCRIPTION
1	59192	Cap Valve Tire
2	65139	Stem Valve
3	106222X	Tire F T 15 x 6 0 - 6 Service
4	59904	Tube Front (Service Item Only)
5	106732X421	Rim Asm 6" front Service
6	278H	Fitting Grease (Front Wheel Only)
7	9040H	Bearing Flange (Front Wheel nly)
8	106108X421	Rim Asm 8" rear Service
9	138468	Tire R T 20 x 8-8 Service
10	7152J	Tube Rear (Service Item Only)
11	104757X421	Cap Axle Blk 1 50 x 1 00
--	144334	Sealant, Tire (10 oz. Tube)

NOTE: All component dimensions given in U.S. inches
1 inch = 25.4 mm

TRACTOR - - MODEL NUMBER PK19H42LT (96012001601)

SCHEMATIC

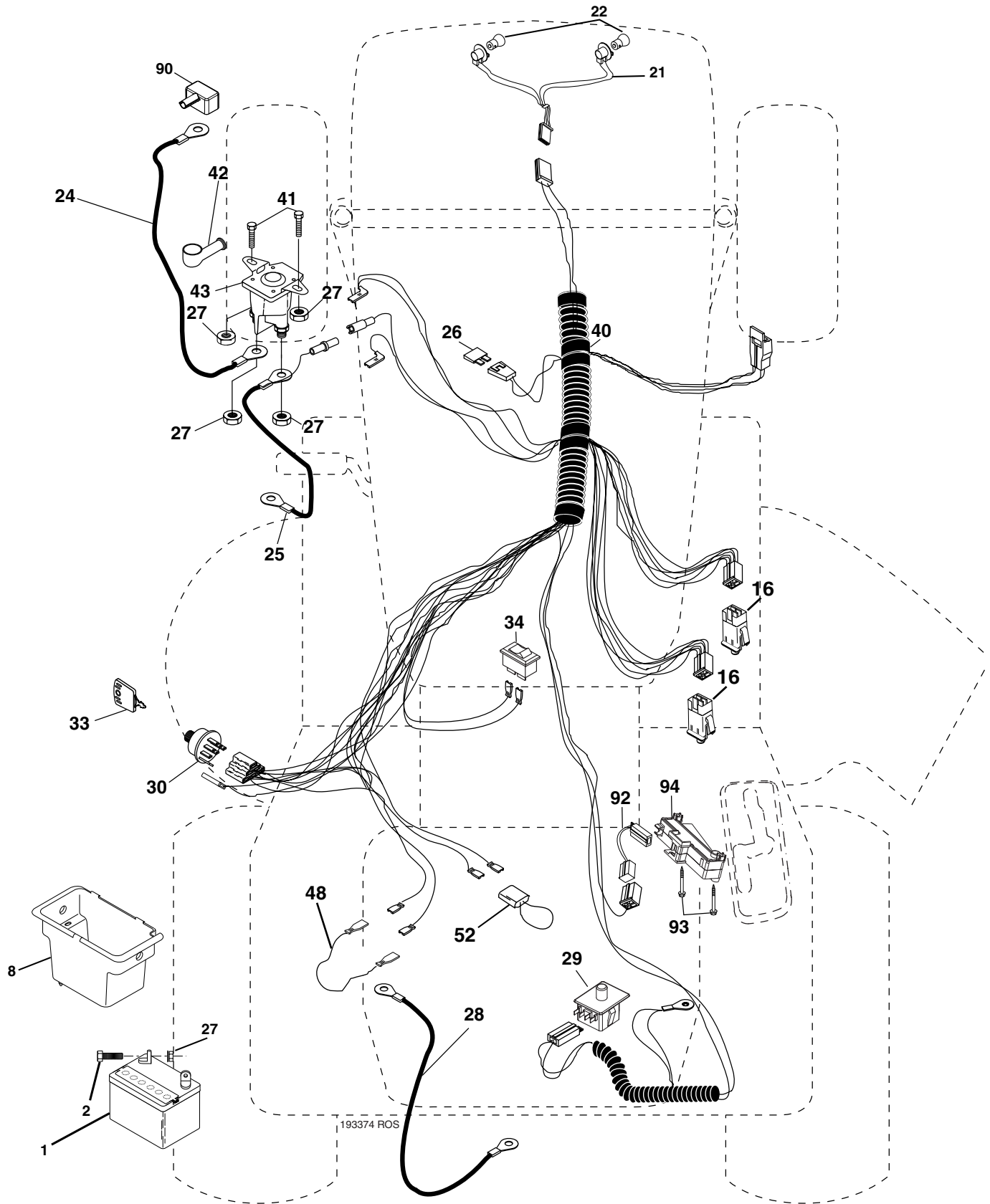


WIRING INSULATED CLIPS

NOTE: IF WIRING INSULATED CLIPS WERE REMOVED FOR SERVICING OF UNIT, THEY SHOULD BE REPLACED TO PROPERLY SECURE YOUR WIRING.

TRACTOR - - MODEL NUMBER PK19H42LT (96012001601)

ELECTRICAL



TRACTOR - - MODEL NUMBER PK19H42LT (96012001601)

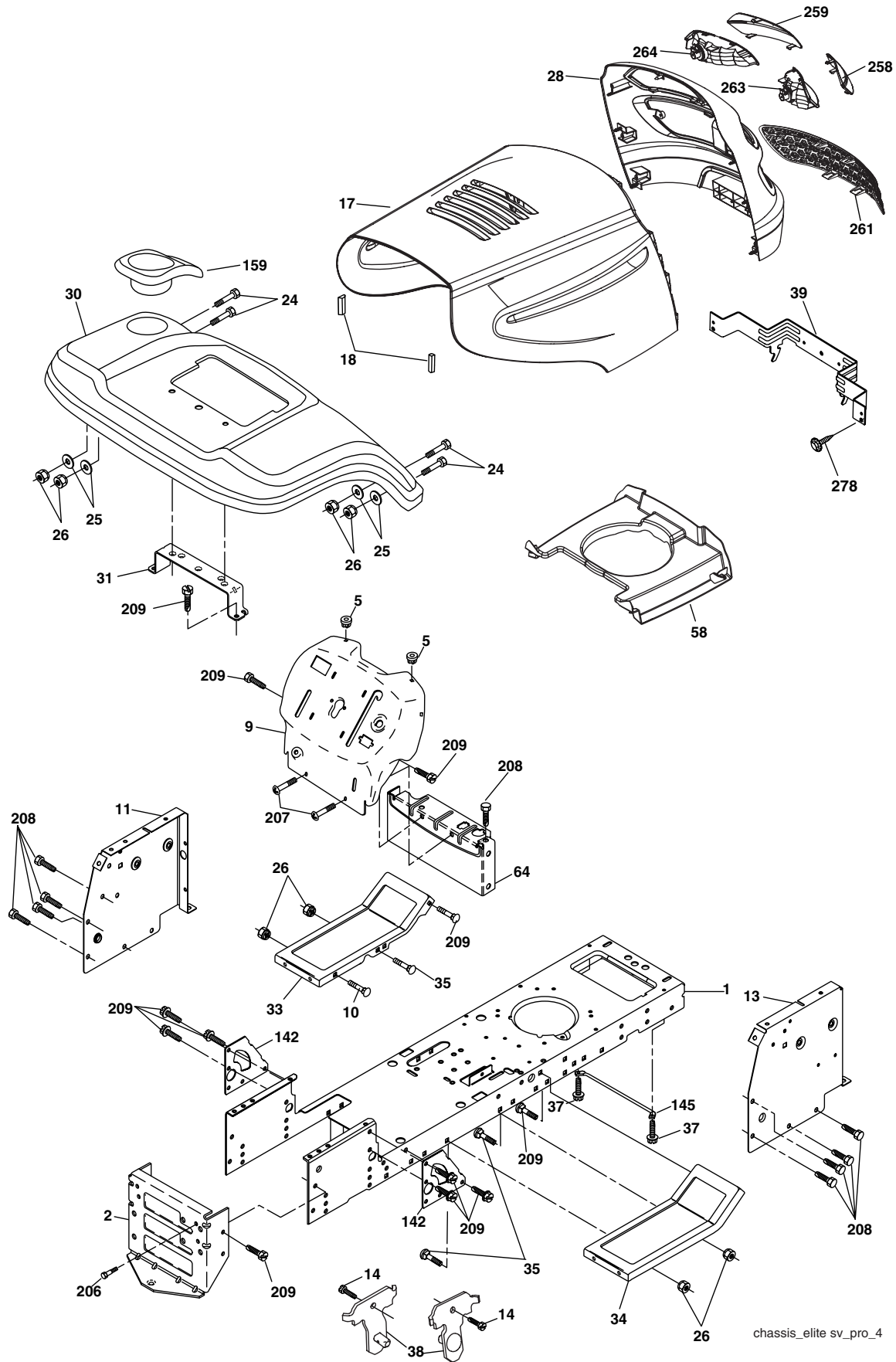
ELECTRICAL

KEY NO.	PART NO.	DESCRIPTION
1	144927	Battery
2	74760412	Bolt Hex Hd 1/4-20 unc x 3/4
8	176689	Box Battery
16	176138	Switch Interlock
21	183759	Harness Socket Light
22	4152J	Bulb, Light # 1156
24	4799J	Cable Battery
25	146147	Cable Battery 6 Ga. Red w/16 wire 44"
26	175158	Fuse
27	73510400	Nut Keps Hex 1/4-20 unc
28	4207J	Cable Ground 12" Blk 6 Ga.
29	192749	Switch Seat
30	193350	Switch Ign
33	140401	Key Ign Molded Generic
34	110712X	Switch Light/Reset
40	193374	Harness Ign
41	71110408	Bolt Fin Hex 1/4-20 unc x 1/2
42	131563	Cover Terminal Red
43	178861	Solenoid
48	140844	Adapter Ammeter
52	141940	Protection Loop
90	180449	Cover Terminal
92	193465	Harness Pigtail Reverse Switch
93	192540	Screw Plastite 10-1/4 x 2.0
94	191834	Module Reverse ROS

NOTE: All component dimensions given in U.S. inches
1 inch = 25.4 mm

TRACTOR - - MODEL NUMBER PK19H42LT (96012001601)

CHASSIS



chassis_elite sv_pro_4

TRACTOR - - MODEL NUMBER PK19H42LT (96012001601)

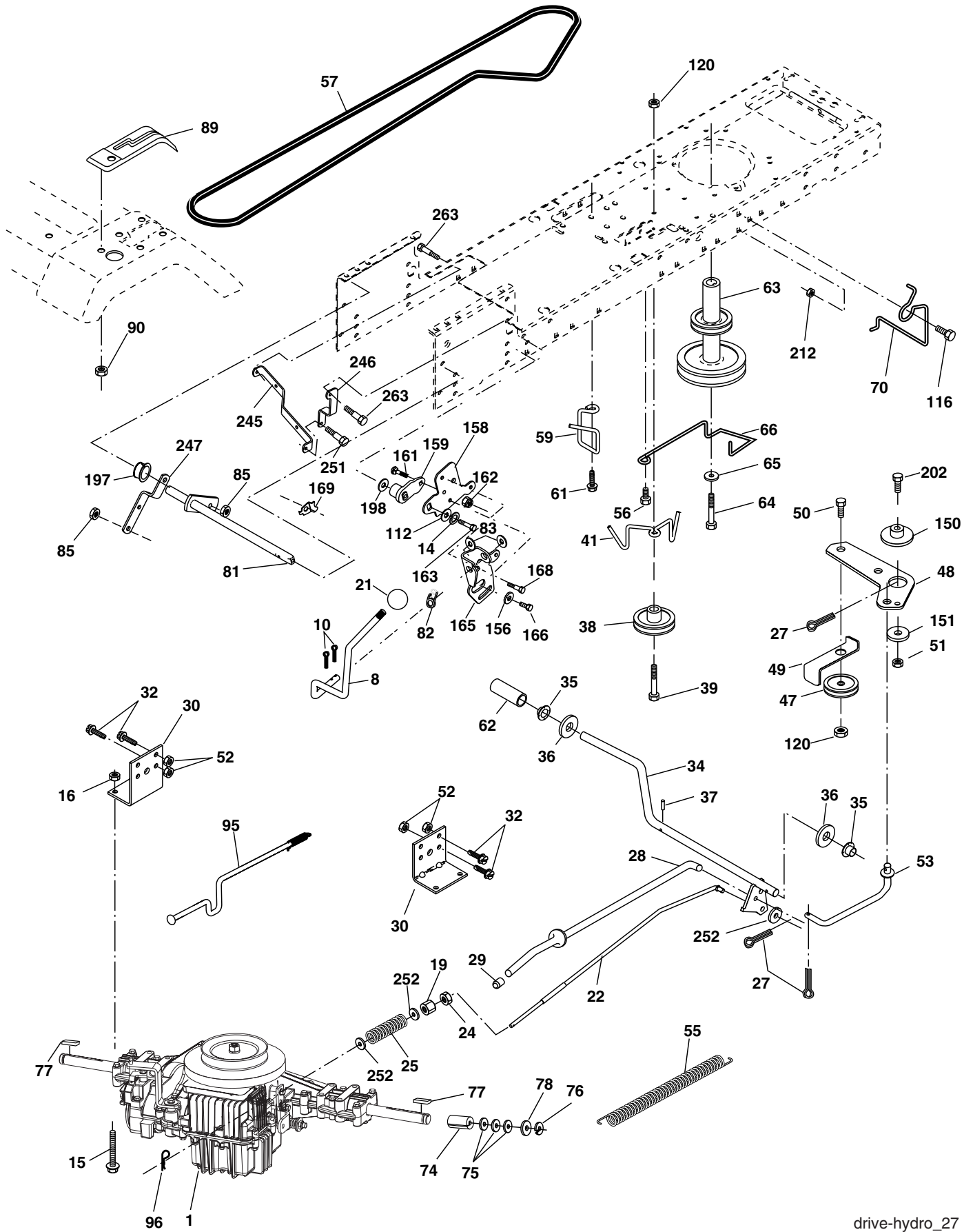
CHASSIS

KEY NO.	PART NO.	DESCRIPTION
1	174619	Chassis
2	176554	Drawbar
5	155272	Bumper Hood/Dash
9	193510X010	Dash P/L
10	72140608	Bolt Carriage 3/8-16 x 1
11	174996	Panel Dash Lh
13	179174X010	Panel Dash Rh
14	17490608	Screw Thdrol 3/8-16 x 1/2
17	183393X428	Hood
18	184921	Bumper Hood
24	74780616	Bolt Fin Hex 3/8-16 unc x 1 Gr. 5
25	19131312	Washer 13/32 x 3/4 x 12 Ga.
26	73800600	Nut Lock Hex W/Ins 3/8-16 unc
28	183828	Grille/Lens Asm (Includes Nos. 258, 259, 261, 263, 264)
30	192528X428	Fender
31	136619	Bracket Fender
33	179716X428	Footrest LH
34	179717X428	Footrest RH
37	17490508	Screw Thdrol 6/16-18 x 1/2 TYT
38	175710	Bracket Asm Pivot Mower Rear
39	174714	Bracket Pivot
58	184322	Duct Air
64	154798	Dash Lower STLT
142	175702	Plate Reinforcement STLT
145	156524	Rod Pivot Chassis/Hood
159	169473X428	Cupholder
206	170165	Bolt Shoulder 5/16-18
207	17670508	Screw Thdrol 5/16-18 x 1/2
208	17670608	Screw Thdrol 3/8-16 x 1/2
209	17000612	Screw Hexwsh Thdr 3/8-16 x 3/4
258	183835X599	Lens Grille Pro RH
259	183834X599	Lens Grille Pro LH
261	183829X428	Insert Grille
263	183833	Bezel Grille RH
264	183832	Bezel Grille LH
278	191611	Screw 10 x 3/4 Single Lead Hex
--	5479J	Plug BTN BIK
--	187801	Plug Dome Plastic

NOTE: All component dimensions given in U.S. inches
1 inch = 25.4 mm

TRACTOR - - MODEL NUMBER PK19H42LT (96012001601)

DRIVE



TRACTOR - - MODEL NUMBER PK19H42LT (96012001601)

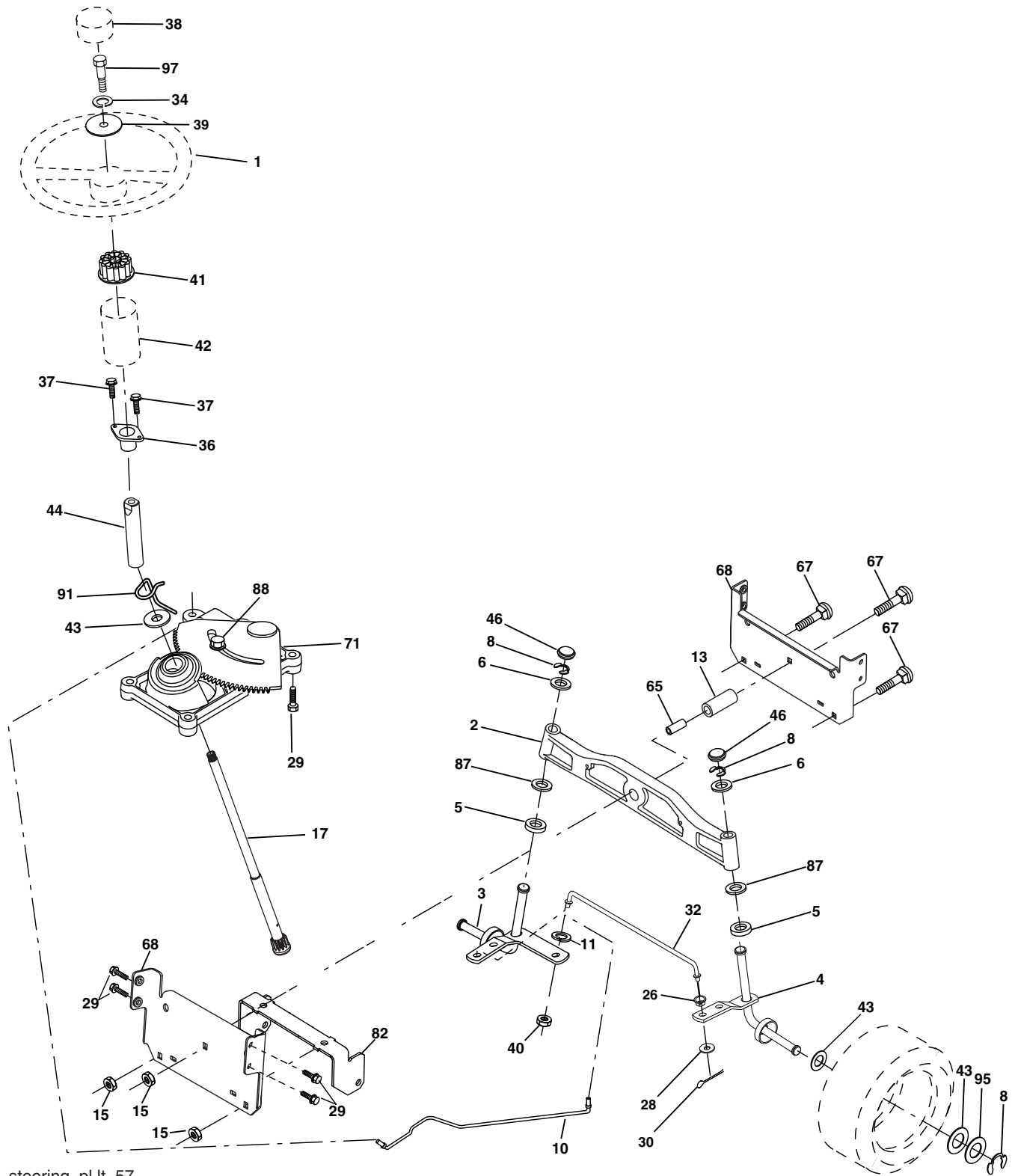
DRIVE

KEY NO.	PART NO.	DESCRIPTION	KEY NO.	PART NO.	DESCRIPTION
1	-----	Transaxle Peerless LTH 2000 (Order Parts From Transaxle Manufacturer)	70	134683	Guide Belt
8	192706	Rod Shift	74	137057	Spacer, Axle
10	76020416	Pin Cotter 1/8 x 1 CAD	75	121749X	Washer 25/32 x 1-1/4 x 16 Ga.
14	10040400	Washer Lock Hvy Helical	76	12000001	E-Ring
15	74490544	Bolt, Hex FLGHD 5/16-18 Gr. 5	77	123583X	Key, Square
16	73800500	Nut Lock Hex W/Ins 5/16-18 unc	78	121748X	Washer 25/32 x 1-5/8 x 16 Ga.
19	73800600	Nut Lock Hex W/Wsh 3/8-16 unc	81	178139	Shaft Asm. Cross Hydro
21	140845	Knob, Round 1/2-13	82	165711	Spring Torsion T/A
22	178141	Rod, Brake Hydro	83	19171216	Washer 17/32 x 3/4 x 16 Ga.
24	73350600	Nut	85	150360	Nut Lock Center 1/4-28
25	106888X	Spring, Brake Rod	89	192056X428	Console, Shift
27	76020412	Pin Cotter 1/8 x 3/4 CAD.	90	142432	Screw Hex Wsh Hi-Lo 1/4-1/2 unc
28	175765	Rod, Parking Brake	95	178134	Disconnect Asm. Rod Bypass LTH
29	71673	Cap, Parking Brake	96	4497H	Retainer Spring 1" Zinc/Cad
30	169592	Bracket, Transaxle	112	19091210	Washer 9/32 x 3/4 x 10 Ga.
32	74760512	Bolt Hex Hd 5/16-18 unc x 3/4	116	72140608	Bolt RDHD SQNK 3/8-16 unc x 1
34	175578	Shaft, Foot Pedal	120	73900600	Nut Lock Flg 3/8-16 unc
35	120183X	Bearing, Nylon	150	175456	Spacer Retainer
36	19211616	Washer	151	19133210	Washer 13/32 x 2 x 10 Ga.
37	1572H	Pin, Roll	156	166002	Washer Srrted 5/16 ID x 1.125
38	179114	Pulley, Composite	158	165589	Bracket Shift Mount
39	72110622	Bolt Rdhd 3/8-16 unc x 2-3/4 Gr. 5	159	183900	Hub Shift
41	175556	Keeper, Belt Idler	161	72140406	Bolt Rdhd Sqnk 1/4-20 x 3/4 Gr. 5
47	127783	Pulley, Idler, V-Groove	162	73680400	Nut Crownlock 1/4-20 unc
48	154407	Bellcrank Clutch Grnd Drv STL	163	74780416	Bolt Hex Fin 1/4-20 unc x 1 Gr. 5
49	123205X	Retainer, Belt	165	165623	Bracket Pivot Lever
50	72110612	Bolt Carr Sh 3/8-16 x 1-1/2 Gr. 5	166	17490510	Screw 5/16-18 x 5/8
51	73680600	Nut Crownlock 3/8-16 unc	168	165492	Bolt Shoulder 5/16-18 x .561
52	73680500	Nut Crownlock 5/16-18 unc	169	165580	Plate Fastening Lt
53	105710X	Link, Clutch	197	169613	Nyliner Snap-In 5/8" ID
55	105709X	Spring, Return, Clutch	198	169593	Washer Nyl 7/8 ID x .105
56	17060620	Screw 3/8-16 x 1-1/4	202	72110614	Bolt Carr Sh 3/8-16 x 1-3/4 Gr. 5
57	178138	V-Belt, Ground Drive	212	145212	Nut Hex flange Lock
59	169691	Keeper, Center Span	245	178122	Strap Torque LH
61	17120614	Screw 3/8-16 x .875	246	178121	Strap Torque RH
62	8883R	Cover, Pedal	247	181462	Link Shift Transaxle
63	175410	Pulley, Engine	251	17060516	Screw 5/16-18 x 1
64	173937	Bolt Hex 7/16-20 x 4 x Gr. 5-1.5 Thr	252	19131616	Washer 13/32 x 1 x 16 Ga.
65	10040700	Washer	263	17000612	Screw Hex Wsh Thdr 3/8-16 x 3/4
66	154778	Keeper Belt Engine			

NOTE: All component dimensions given in U.S. inches
1 inch = 25.4 mm

TRACTOR - - MODEL NUMBER PK19H42LT (96012001601)

STEERING ASSEMBLY



steering_pl.it_57

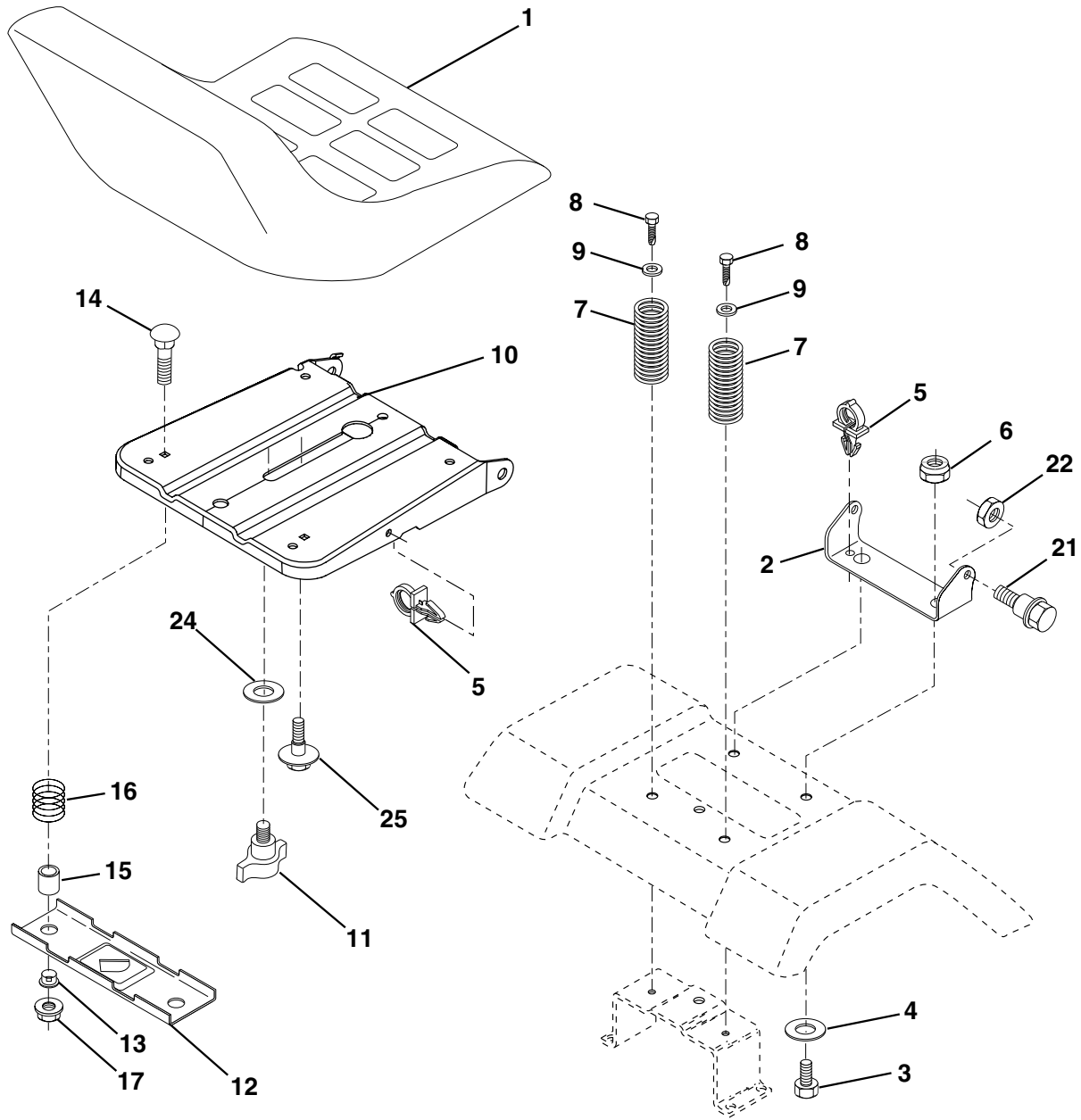
TRACTOR - - MODEL NUMBER PK19H42LT (96012001601)
STEERING ASSEMBLY

KEY NO.	PART NO.	DESCRIPTION
1	186093X428	Wheel Steering
2	184706	Axle Asm Cast Iron LT
3	169840	Spindle Asm LH
4	169839	Spindle Asm RH
5	6266H	Bearing Race Thrust Harden
6	121748X	Washer 25/32 x 1-5/8 x 16 Ga.
8	12000029	Ring Klip #t5304-75
10	175121	Link Drag
11	10040600	Washer Lock Hvy Hlcl Spr 3/8
13	136518	Spacer Brg Axle Front
15	145212	Nut Hex Flange Lock
17	190753	Shaft Asm Steering
26	126847X	Bushing Link Drag
28	19131416	Washer 13/32 x 7/8 x 16 Ga.
29	17000612	Screw 3/8-16 x .75
30	76020412	Pin Cotter 1/8 x 3/4
32	192757	Rod Tie
34	10040500	Washer Lock Hvy Hlcl Spr. 5/16
36	155099	Bushing Strg
37	152927	Screw
38	186095X428	Insert Cap Strg Wh
39	19113812	Washer 11/32 ID x 2-3/8 OD x 12 Ga.
40	73540600	Crownlock nut
41	186737	Adaptor Wheel Strg
42	145054X428	Boot Steering Dash
43	121749X	Washer 25/32 x 1 1/4 x 16 Ga.
44	190752	Extension Steering Shaft
46	121232X	Cap Spindle Fr Top Blk
65	160367	Spacer Brace Axle
67	72110618	Bolt RDHD SQNK 3/8-16 x 2 1/4
71	175146	Steering Asm
68	169827	Axle, Brace
82	169835	Bracket Susp Chassis Front
87	173966	Washer Flat .781 x 1-1/2 x .14
88	175118	Bolt Shoulder 7/16-20 unc
91	175553	Clip Steering
95	188967	Washer Harden .739 x 1.637 x .060
97	74780564	Bolt 5/16-18 unc x 4" L Gr. 5

NOTE: All component dimensions given in U.S. inches
1 inch = 25.4 mm

TRACTOR - - MODEL NUMBER PK19H42LT (96012001601)

SEAT ASSEMBLY



seat_lt.knob_13

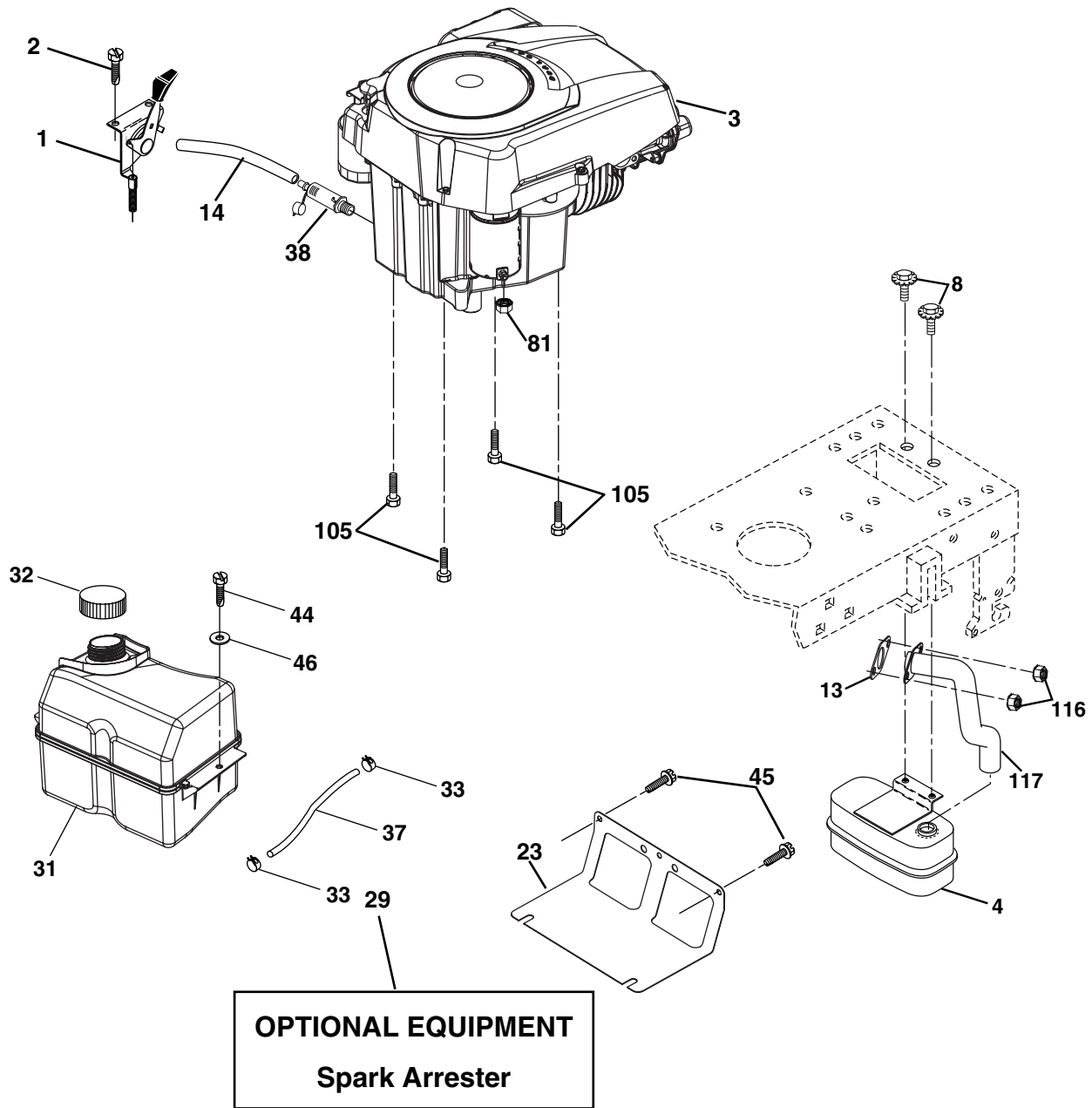
KEY NO.	PART NO.	DESCRIPTION
1	188720	Seat
2	140551	Bracket Pivot Seat 8 720
3	71110616	Bolt Fin Hex 3/8-16 unc x 1
4	19131610	Washer 13/32 x 1 x 10 Ga.
5	145006	Clip Push-In
6	73800600	Nut Hex w/Ins. 3/8-16 unc
7	124181X	Spring Seat Cprsn 2 250 Blk Zi
8	17000616	Screw 3/8-16 x 1.5 Smgml
9	19131614	Washer 13/32 x 1 x 14 Ga.
10	182493	Pan Seat
11	166369	Knob Seat
12	174648	Bracket Mounting Switch

KEY NO.	PART NO.	DESCRIPTION
13	121248X	Bushing Snap Blk Nyl 50 Id
14	72050412	Bolt Rdhd Sqnk 1/4-20 x 1-1/2
15	134300	Spacer Split 28x 88
16	121250X	Spring Cprsn
17	123976X	Nut Lock 1/4 Lge Flg Gr. 5 Zinc
21	171852	Bolt Shoulder 5/16-18 unc
22	73800500	Nut Hex Lock W/Ins 5/16-18
24	19171912	Washer 17/32 x 1-3/16 x 12 Ga.
25	127018X	Bolt Shoulder 5/16-18 x 62

NOTE: All component dimensions given in U.S. inches
1 inch = 25.4 mm

TRACTOR - - MODEL NUMBER PK19H42LT (96012001601)

ENGINE



engine-kohler_42

KEY NO.	PART NO.	DESCRIPTION
1	170805	Control, Throttle
2	17720408	Screw Hex Thd Cut 1/4-20 x 1/2
3	-----	Engine Kohler Model SV590 (Order Parts from Engine Mfg.)
4	188655	Muffler
8	171877	Bolt 5/16-18 unc x 3/4 w/Sems
13	185909	Muffler Gasket
14	148456	Tube Oil Drain
23	169837	Shield, Browning/Debris Guard
29	137180	Arrester, Spark
31	185534	Tank, Fuel
32	140527	Cap, Fuel
33	123487X	Clamp, Hose Blk
37	137040	Line, Fuel
38	181654	Plug Drain Oil Easy
44	17670412	Screw Hex Wsh Thdrol 1/4-20 x 3/4

KEY NO.	PART NO.	DESCRIPTION
45	17000612	Screw Hex Wsh Thdrol 3/8-16 x 3/4
46	19091416	Washer 9/32 x 7/8 x 16 Ga.
81	73510400	Nut Keps Hex 1/4-20 unc
105	17120616	Screw 3/8-16 x 1 Smgml Tap/R
116	184362	Nut Hex Flange Toplock M8-1.25
117	188654	Tube Exhaust

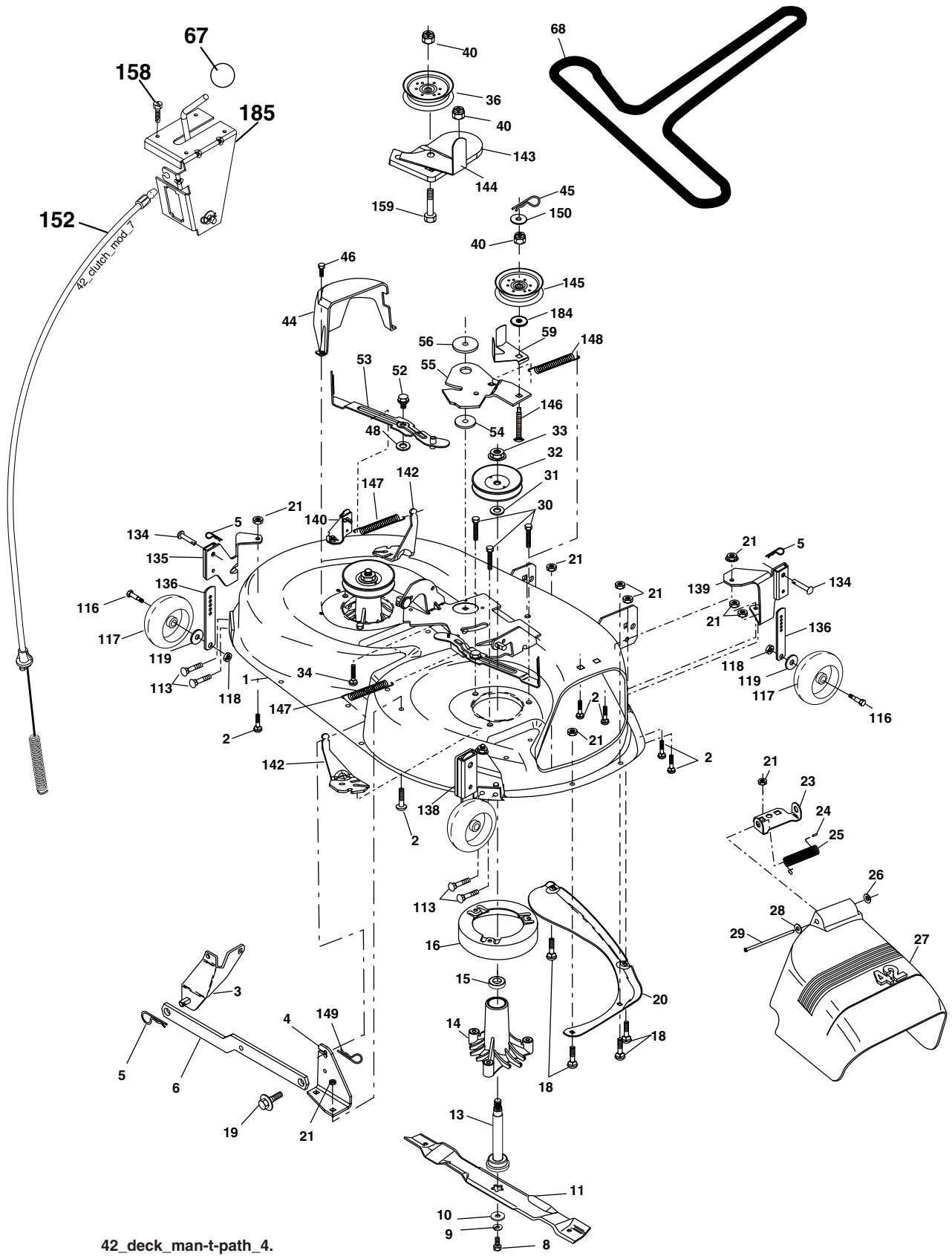
NOTE: All component dimensions given in U.S. inches
1 inch = 25.4 mm

For engine service and replacement parts, call the toll free number for your engine manufacturer listed below:

Briggs & Stratton	1-800-233-3723
Kohler Co.	1-800-544-2444
Tecumseh Products	1-800-558-5402
Honda Engines	1-800-426-7701
Kawasaki	1-949-460-5688

TRACTOR - - MODEL NUMBER PK19H42LT (96012001601)

MOWER DECK



42_deck_man-t-path_4.

TRACTOR - - MODEL NUMBER PK19H42LT (96012001601)

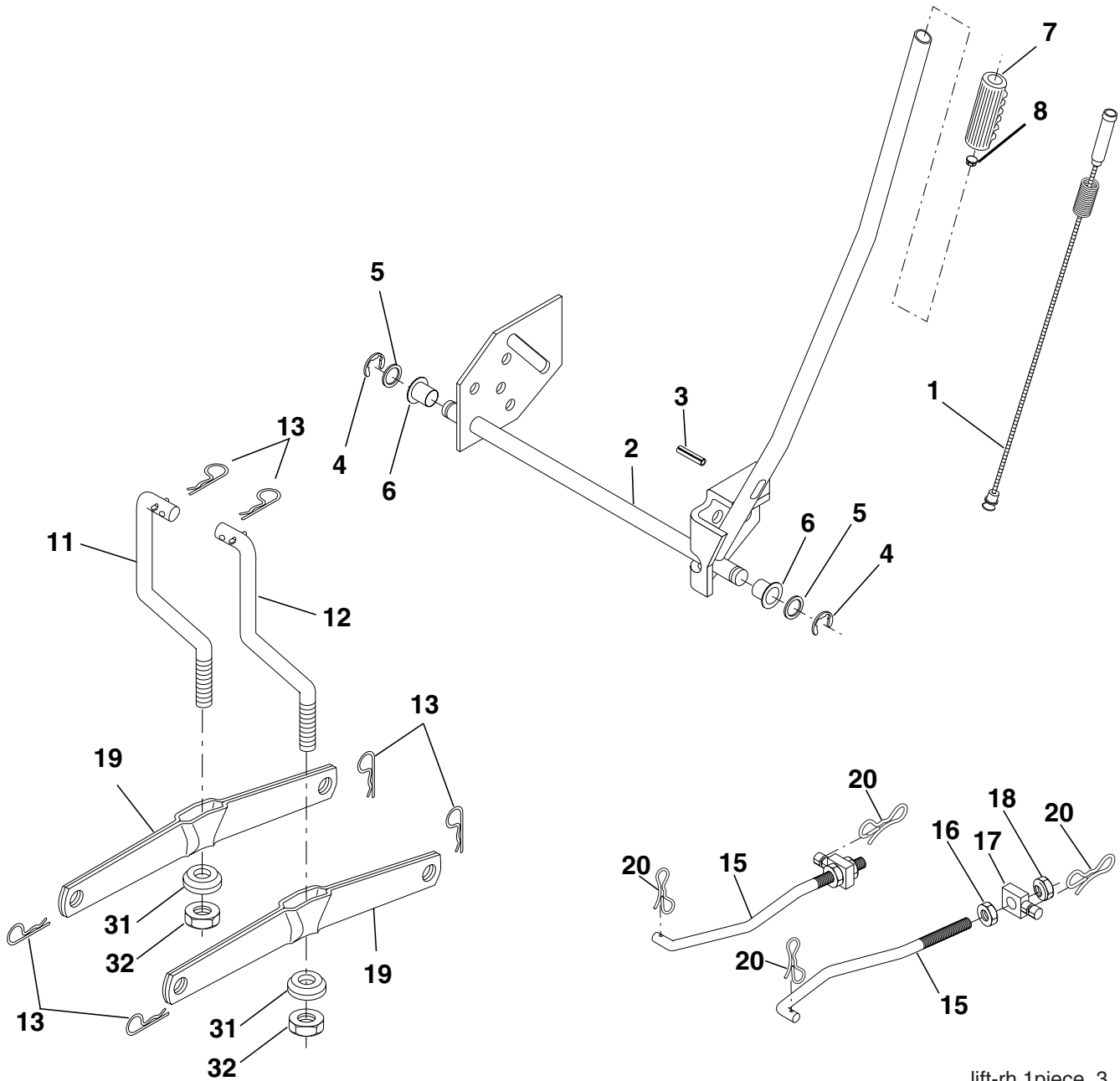
MOWER DECK

KEY NO.	PART NO.	DESCRIPTION	KEY NO.	PART NO.	DESCRIPTION
1	182032X421	Mower Deck Assembly, 42"	48	133944	Washer, Hardened
2	72140506	Bolt	52	139888	Bolt, Shoulder 5/16-18 unc
3	138017	Bracket Asm Fr. Sway Bar 3/42	53	184907	Arm Assembly, Pad, Brake
4	165460	Bracket Asm Deck 42" Sway Bar	54	178515	Washer, Hardened
5	4939M	Retainer Spring	55	155046	Arm, Idler
6	178024	Bar Sway Deck	56	122052X	Spacer, Retainer
8	850857	Bolt 3/8-24 x 1.25 Gr. 8 patched	59	141043	Guard TUV Idler
9	10030600	Washer, Lock	67	171598	Knob Round
10	140296	Washer, Hardened	68	144959	V-Belt, 42" Mower
		(The following Blades are available)	113	17000512	Screw 5/16-18 x 3/4
11	138971	Blade Mower 42" Hi-Lift	116	4898H	Bolt, Shoulder
		(for bagging and discharging)	117	188606	Wheel, Gauge
--	134149	Blade, Mulching 42" Std	118	73930600	Nut Centerlock 3/8-16
		(for mulching mowers only)	119	19121414	Washer 3/8 x 7/8 x 14 Ga.
--	139775	Blade Mulching 42" Premium	134	156941	Pin Head Rivet
		(For better wear when mulching)	135	159765X421	Bracket Asm. Whl Ga. R LH
13	137645	Shaft Assembly, Mandrel, Vented	136	155986	Bar Adjusting Gauge Wheel
14	128774	Housing, Mandrel, Vented	138	159763X421	Bracket Asm Whl Ga. R RH
15	110485X	Bearing, Ball, Mandrel	139	159767X421	Bracket Asm. Whl Ga. F RH
16	174493	Stripper, Mandrel Deck	140	159768X421	Bracket Asm Whl Ga. F LH
18	72140505	Bolt, Carriage 5/16-18 x 5/8	142	165890	Arm Spring Brake Mower
19	132827	Bolt, Shoulder	143	157109	Bracket Arm Idler 42"
20	159770	Baffle, Vortex	144	173441	Keeper Belt 42" Clutch Cable
21	73680500	Nut	145	173437	Pulley Idler Flat
23	177563	Bracket, Deflector Mower 42"	146	173443	Bolt Carriage Idler
24	105304X	Cap, Sleeve 80 x 112 Blk Mower	147	131335	Spring Extension
25	123713X	Spring, Torsion, Deflector 2 52	148	169022	Spring Return Idler
26	110452X	Nut, Push Phos & Oil	149	165898	Retainer Spring Yellow
27	130968X428	Shield, Deflector 42" Blk	150	19091210	Washer 9/32 x 3/4 x 10 Ga.
28	19111016	Washer 11/32 x 5/8 x 16 Ga.	152	169676	Clutch Cable 42"
29	131491	Rod, Hinge 42" 6 75 W/G	158	17720408	Screw Hex Thd Cut 1/4-20 x 1/2
30	173984	Screw Thdrol	159	72140614	Bolt Rdhd Sqn 3/8-16 unc x 1-3/4
31	187690	Washer, Spacer Mower Vented	184	19131410	Washer 13/32 x 7/8 x 10 Ga.
32	173436	Pulley, Mandrel	185	188234	Head Asm Cable Clutch
33	178342	Nut, Toplock	--	130794	Mandrel Assembly (Includes Hous- ing Shaft and Shaft Hardware Only - Pulley Not Included)
34	72110612	Bolt Carr SH 3/8-16 x 1-1/2 Gr.5			
36	173438	Pulley, Idler, Flat			
40	73900600	Nut Lock 3/8-16	--	184563	Replacement Mower, Complete
44	140088	Guard, Mandrel, LH			
45	4497H	Retainer			
46	137729	Screw, Thdrol 1/4-20 x 5/8 T			

NOTE: All component dimensions given in U.S. inches
1 inch = 25.4 mm

TRACTOR - - MODEL NUMBER PK19H42LT (96012001601)

MOWER LIFT



lift-rh.1piece_3

KEY NO.	PART NO.	DESCRIPTION
1	198417	Wire Asm Inner/Sprg W/plunger
2	198070	Shaft Asm Lift RH w/Inf
3	188822	Pin Groove 5/16 Dia x 1.875
4	12000002	E Ring #5133-62
5	19211621	Washer 21/32 x 1 x 21 Ga.
6	120183X	Bearing Nylon Blk 629 Id
7	125631X	Grip Handle
8	124526X	Button Plunger
11	139865	Link Lift LH Fixed Length
12	139866	Link Lift RH Fixed Length
13	4939M	Retainer Spring

KEY NO.	PART NO.	DESCRIPTION
15	173288	Link Front
16	73350800	Nut Jam Hex 1/2-13 unc
17	175689	Trunnion
18	73800800	Nut Lock W/Wsh 1/2-13 unc
19	139868	Arm Suspension Rear
20	194209	Pin Cotter 7/16 Bow Tie Lock
31	169865	Bearing Pvt Lift
32	73540600	Nut Crownlock 3/8 - 24

NOTE: All component dimensions given in U.S. inches
1 inch = 25.4 mm