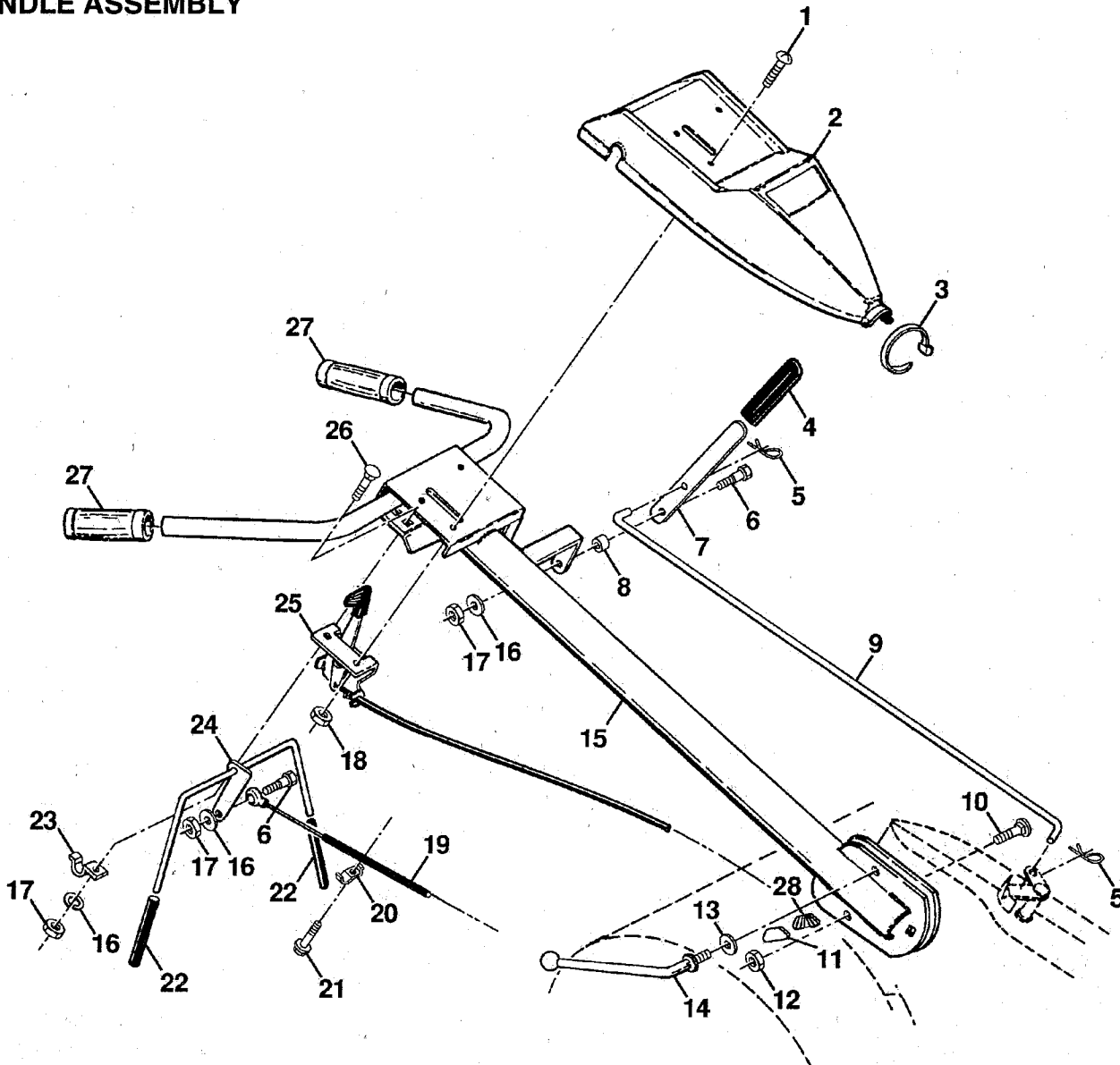


# REPAIR PARTS

## 8 HP 21" TILLER - - MODEL NUMBER 952052

### HANDLE ASSEMBLY



KEY NO.	PART NO.	DESCRIPTION
1	71191008	Screw, Pan Head, #10-24
2	126951X	Panel, Control
3	104164X	Tie, Cable
4	8206H	Grip, Handle
5	4497H	Clip, Hairpin
6	81328	Bolt, Shoulder
7	109335X	Handle, Shift
8	109313X	Grommet, Rubber
9	138400	Rod, Shift
10	72140608	Bolt, Carriage 3/8-16 x 1
11	109229X	Lock, Handle
12	73930600	Nut, Centerlock 3/8-16
13	19131611	Washer 13/32 x 1 x 11 Ga.
14	109228X	Lever, Lock, Handle
15	127013X505	Handle

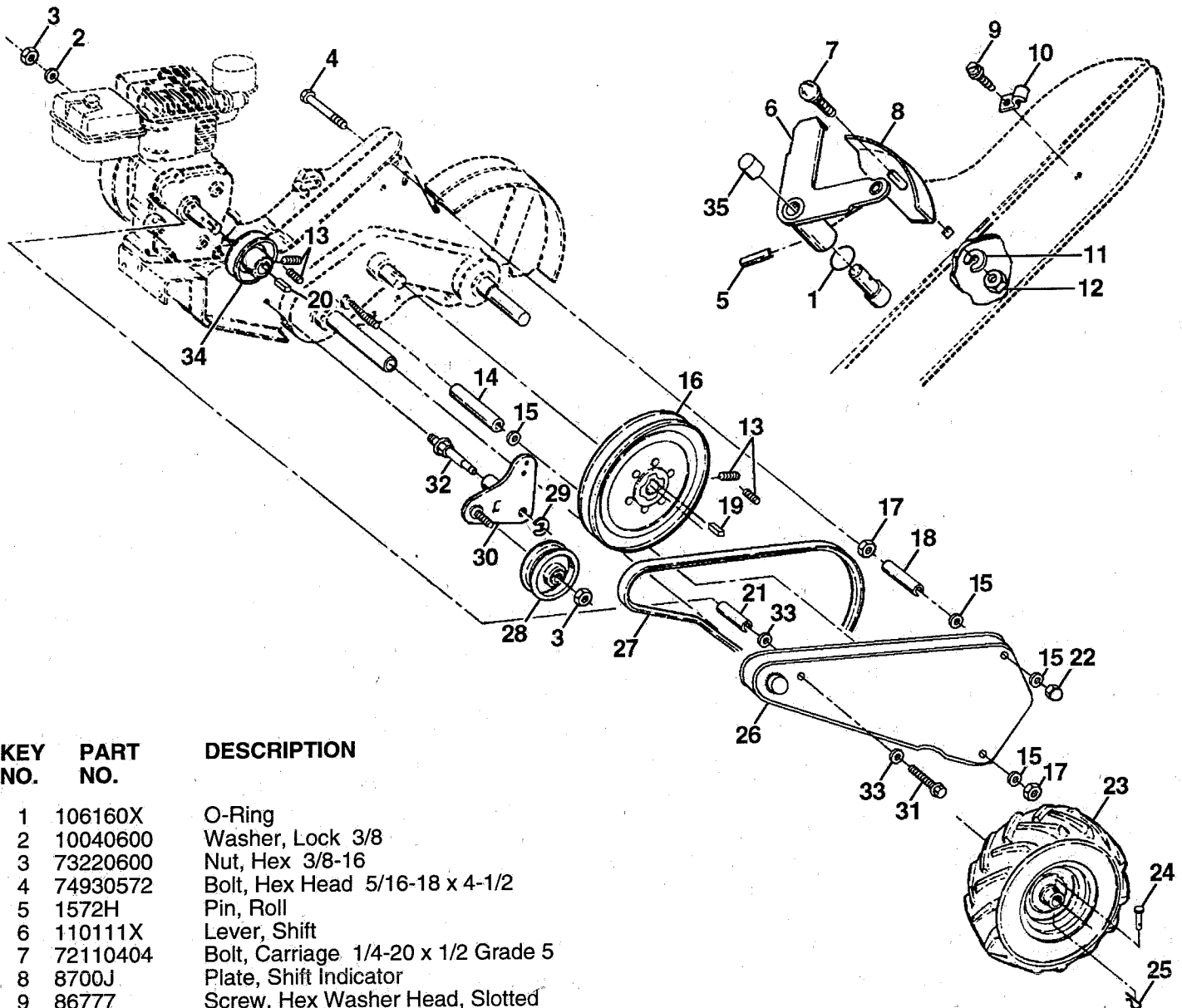
KEY NO.	PART NO.	DESCRIPTION
16	10040400	Washer, Lock 1/4
17	73220400	Nut, Hex 1/4-20
18	73731000	Nut, Keps #10-24 UNC
19	101251L	Cable, Clutch
20	9484R	Clip
21	86777	Screw, Hex Washer Hd. Slotted #10-24 x 1/2
22	102604X	Grip, Bar, Control
23	102744X	Clamp, Bar, Control
24	105216X	Bar Assembly, Control
25	138305	Control, Throttle
26	72140404	Bolt, Carriage 1/4-20 UNC x 1/2
27	140528	Grip, Handle
28	138283	Lock, Handle

**NOTE:** All component dimensions given in U.S. inches.  
1 inch = 25.4 mm

# REPAIR PARTS

## 8 HP 21" TILLER -- MODEL NUMBER 952052

### MAINFRAME, LEFT SIDE



KEY NO.	PART NO.	DESCRIPTION
1	106160X	O-Ring
2	10040600	Washer, Lock 3/8
3	73220600	Nut, Hex 3/8-16
4	74930572	Bolt, Hex Head 5/16-18 x 4-1/2
5	1572H	Pin, Roll
6	110111X	Lever, Shift
7	72110404	Bolt, Carriage 1/4-20 x 1/2 Grade 5
8	8700J	Plate, Shift Indicator
9	86777	Screw, Hex Washer Head, Slotted #10-24 x 1/2
10	9484R	Clip
11	10040400	Washer, Lock 1/4
12	73220400	Nut, Hex 1/4-20
13	23230506	Screw, Set, Hex 5/16-18 x 3/8
14	8382J	Spacer, Split .0327 x 0.42 x 2.68
15	19111116	Washer 11/32 x 11/16 x 16 Gauge
16	100473M	Sheave, Transmission
17	73220500	Nut, Hex 5/16-18
18	8381J	Spacer
19	2649M	Key, Square 3/16 x 1-1/8
20	4914H	Key, Square
21	139155	Spacer, Split .523 x .718 x 2
22	104214X	Nut, Cap 5/16-18
23	5015J	Tire
	5014J	Rim
	795R	Tire Valve
24	4929H	Rivet, Drilled

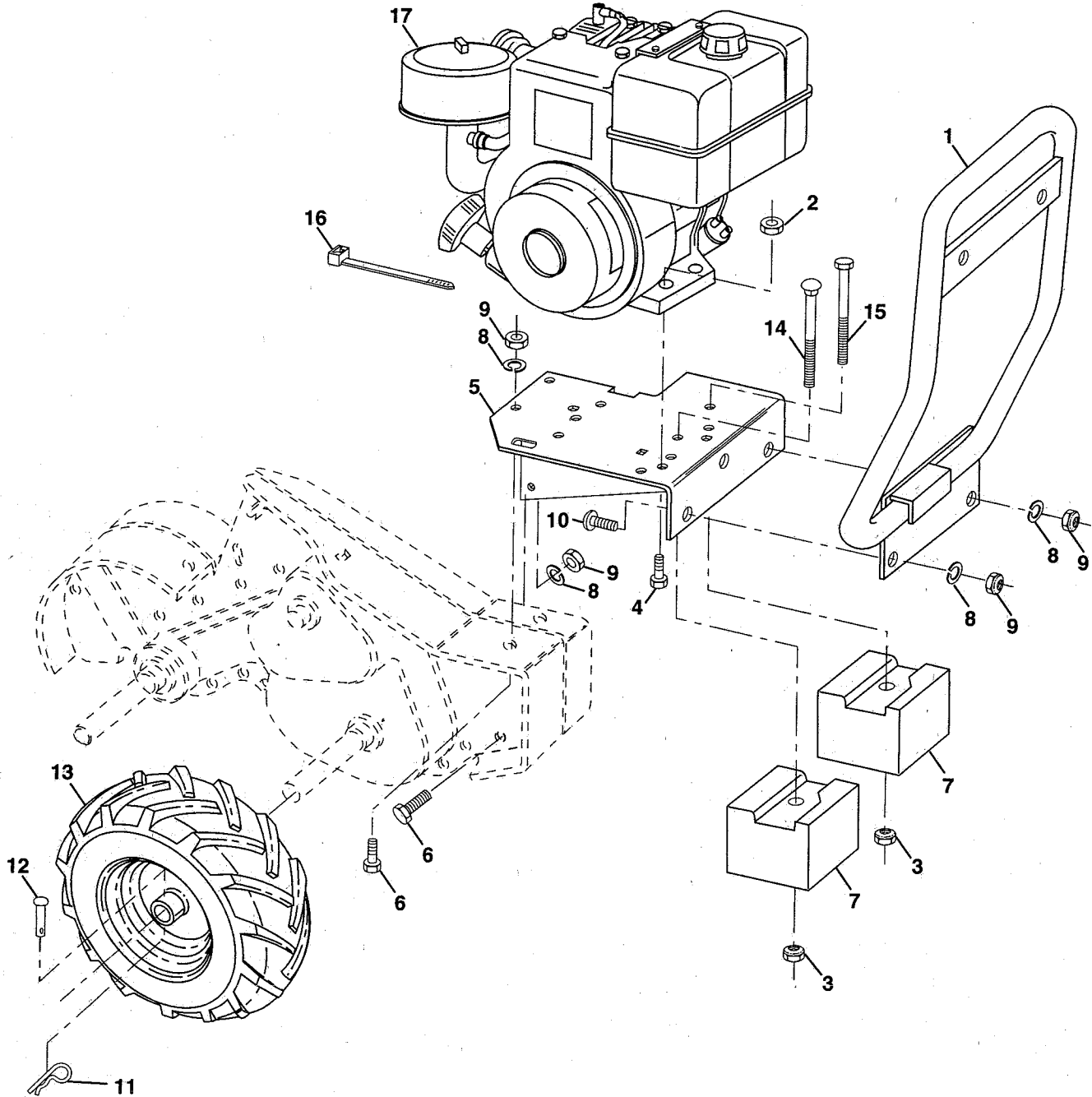
KEY NO.	PART NO.	DESCRIPTION
25	4921H	Clip, Hairpin
26	102818X505	Guard, Belt
27	138399	V-Belt
28	104680X	Pulley, Idler
29	12000032	Ring, Klip
30	105611X	Bracket, Idler
31	74770844	Bolt, Hex Head 1/2-20 x 2-3/4
32	139401	Shaft, Idler Arm
33	19171616	Washer
34	4368J	Sheave, Engine
35	140062	Cap, Plunger

**NOTE:** All component dimensions given in U.S. inches.  
1 inch = 25.4 mm

# REPAIR PARTS

8 HP 21" TILLER -- MODEL NUMBER 952052

## MAINFRAME, RIGHT SIDE



KEY NO.	PART NO.	DESCRIPTION
1	138402	Bumper
2	73680500	Nut, Crownlock 5/16-18
3	73680600	Nut, Crownlock 3/8-16
4	74760528	Bolt, Hex 5/16-18 x 1-3/4
5	138669	Bracket, Engine
6	74760616	Bolt, Hex Head 3/8-16 x 1
7	8450J	Counter Weight, R.H.
8	10040600	Washer, Lock 3/8
9	73220600	Nut, Hex 3/8-16
10	72140608	Bolt, Carriage 3/8-16 x 1
11	4921H	Clip, Hairpin

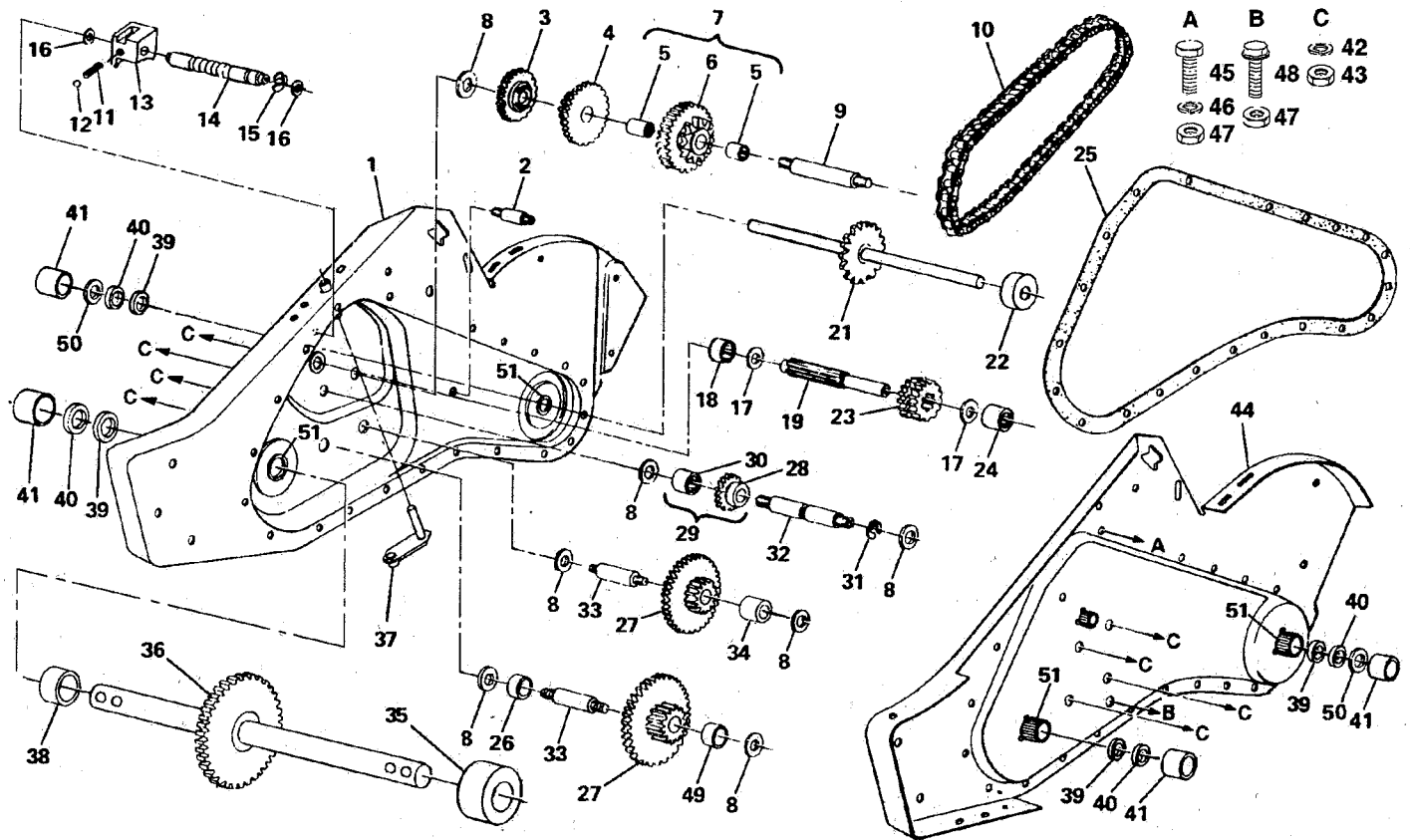
KEY NO.	PART NO.	DESCRIPTION
12	4929H	Rivet, Drilled
13	5015J	Tire
	5014J	Rim
	795R	Tire Valve
14	72470636	Bolt, Carriage 3/8-16 x 4-1/2
15	74760672	Bolt, Hex Head 3/8-16 x 4-1/2
16	104164X	Tie, Cable
17	-----	Engine, Briggs & Stratton Model No. 190402

**NOTE:** All component dimensions given in U.S.inches.  
1 inch = 25.4 mm

# REPAIR PARTS

## 8 HP 21" TILLER - - MODEL NUMBER 952052

### TRANSMISSION



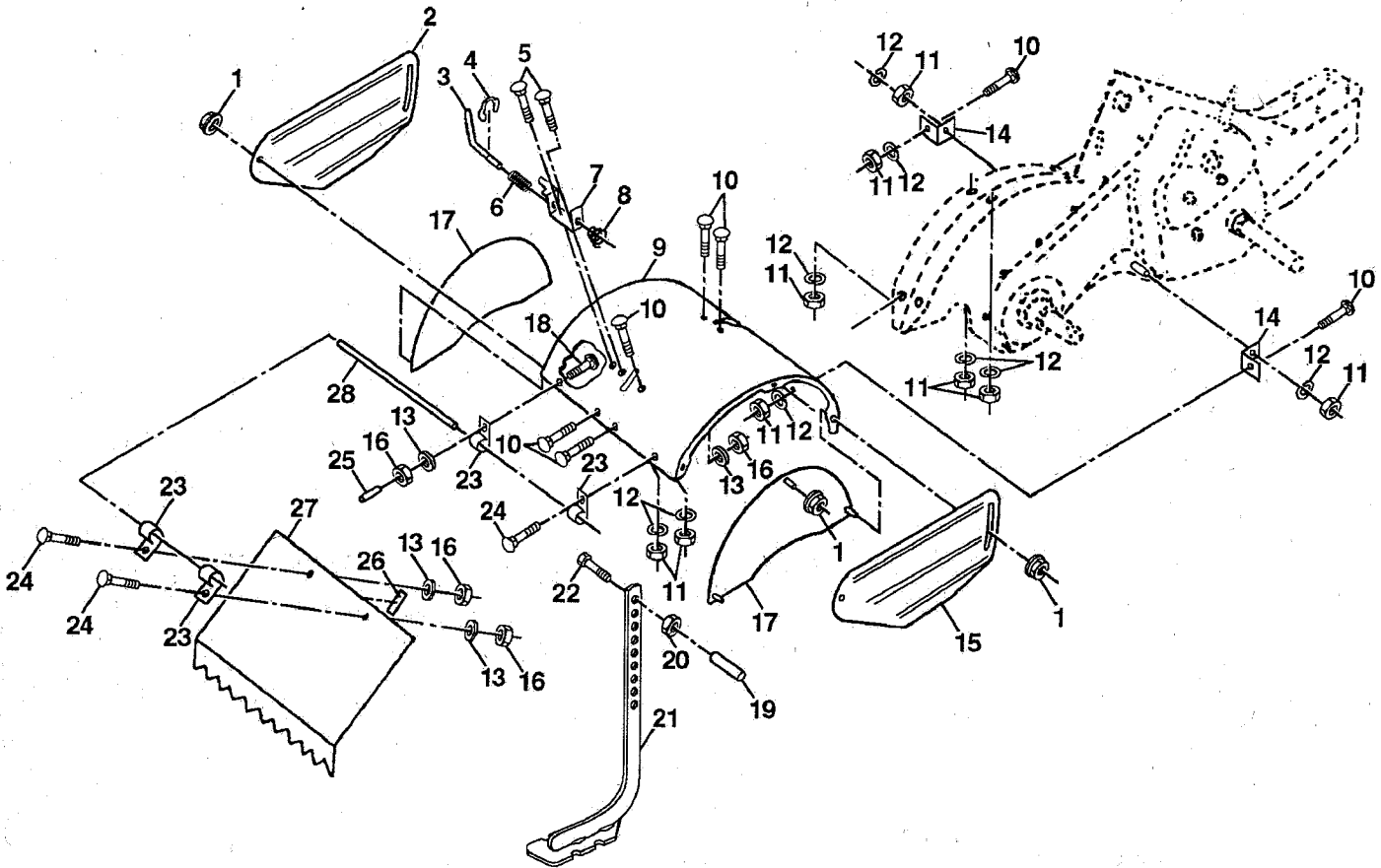
KEY NO.	PART NO.	DESCRIPTION	KEY NO.	PART NO.	DESCRIPTION
--	142477	Transmission Assembly	28	8357J	Gear, Reverse Idler
1	106179X	Gearcase Assembly, R.H., with Bearing (Includes Key No. 18)	29	674A289	Gear Assembly, Reverse Idler (Includes Key Numbers 28 and 30)
2	8370J	Bolt, Upset	30	6803J	Bearing, Needle
3	8547J	Gear, Reverse	31	12000040	Klip Ring
4	8546J	Gear, Cluster, Red., 1st and 2nd	32	8356J	Shaft, Reverse Idler
5	100413K	Bearing, Needle	33	100016K	Shaft, Reduction, 2nd
6	674A291	Sprocket Assembly, Tine	34	106392X	Spacer .765 I.D. x 1-1/8 x 1-3/8
7	674A290	Sprocket Assembly with Bearings (Includes Key #6 & two of Key #5)	35	106394X	Spacer, Ground Drive, L.H.
8	4358J	Washer	36	100436L	Shaft Assembly, Ground
9	8358J	Shaft, Reduction, 1st	37	142145	Arm Assembly, Shift
10	8371J	Chain, Roller, 60P	38	106393X	Spacer, Ground Drive, R.H.
11	100371K	Spring, Shift, Fork	39	7393R	Seal, Oil
12	7392M	Ball, Steel	40	140576	Seal, Ring, Rubber
13	8353J	Fork, Shift	41	9672R	Cup, Formed
14	8354J	Shaft, Shift	42	10040700	Washer, Lock 7/16
15	12000039	Klip Ring	43	73610700	Nut, Hex 7/16-20
16	4360J	Washer, Seal	44	109331X	Gearcase Assembly, L.H., with Bearing (Includes Key Number 24)
17	1370H	Race, Bearing, Thrust, 5/8 I.D.	45	74780512	Bolt, Hex Head 5/16-18 x 3/4
18	4895H	Bearing, Needle	46	10040500	Washer, Lock 5/16
19	100724M	Shaft, Input	47	73220500	Nut, Hex Head 5/16-18
21	105378X	Shaft Assembly, Tine	48	100107K	Screw, Whiz-Lock 5/16-18 x 4
22	106181X	Spacer 1.008 x 1-3/4 x .645	49	106391X	Spacer .765 I.D. x 1.12 x 3/4
23	8359J	Pinion, Input	50	102144X	Ring, Spiral
24	5020J	Bearing, Needle	51	122204X	Kit, Bearing
25	8372J	Gasket, Gearcase	--	6066J	Grease, Plastilub Number 1
26	106389X	Spacer .765 I.D. x 1.12 x 5/8			
27	100433M	Gear, Cluster, Red., 2nd and 3rd			

**NOTE:** All component dimensions given in U.S. inches  
1 inch = 25.4 mm

# REPAIR PARTS

## 8 HP 21" TILLER -- MODEL NUMBER 952052

### TINE SHIELD



KEY NO.	PART NO.	DESCRIPTION
1	98000129	Nut, Flange 5/16-18
2	108711X505	Shield, Side, Outer, L.H.
3	8393J	Pin, Depth Stake
4	12000036	Ring, Klip
5	72140508	Bolt, Carriage 5/16-18 x 1
6	8394J	Spring
7	8392J	Bracket, Latch
8	109230X	Spring, Depth Stake
9	104178X505	Shield, Tine
10	72140506	Bolt, Carriage 5/16-18 x 3/4 Gr. 5
11	73220500	Nut, Hex 5/16-18
12	10040500	Washer, Lock 5/16
13	10040400	Washer, Lock 1/4
14	8386J	Bracket, Shield Tine
15	108710X505	Shield, Side, Outer R.H.

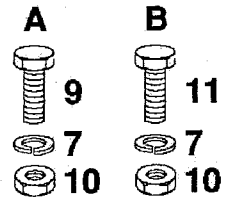
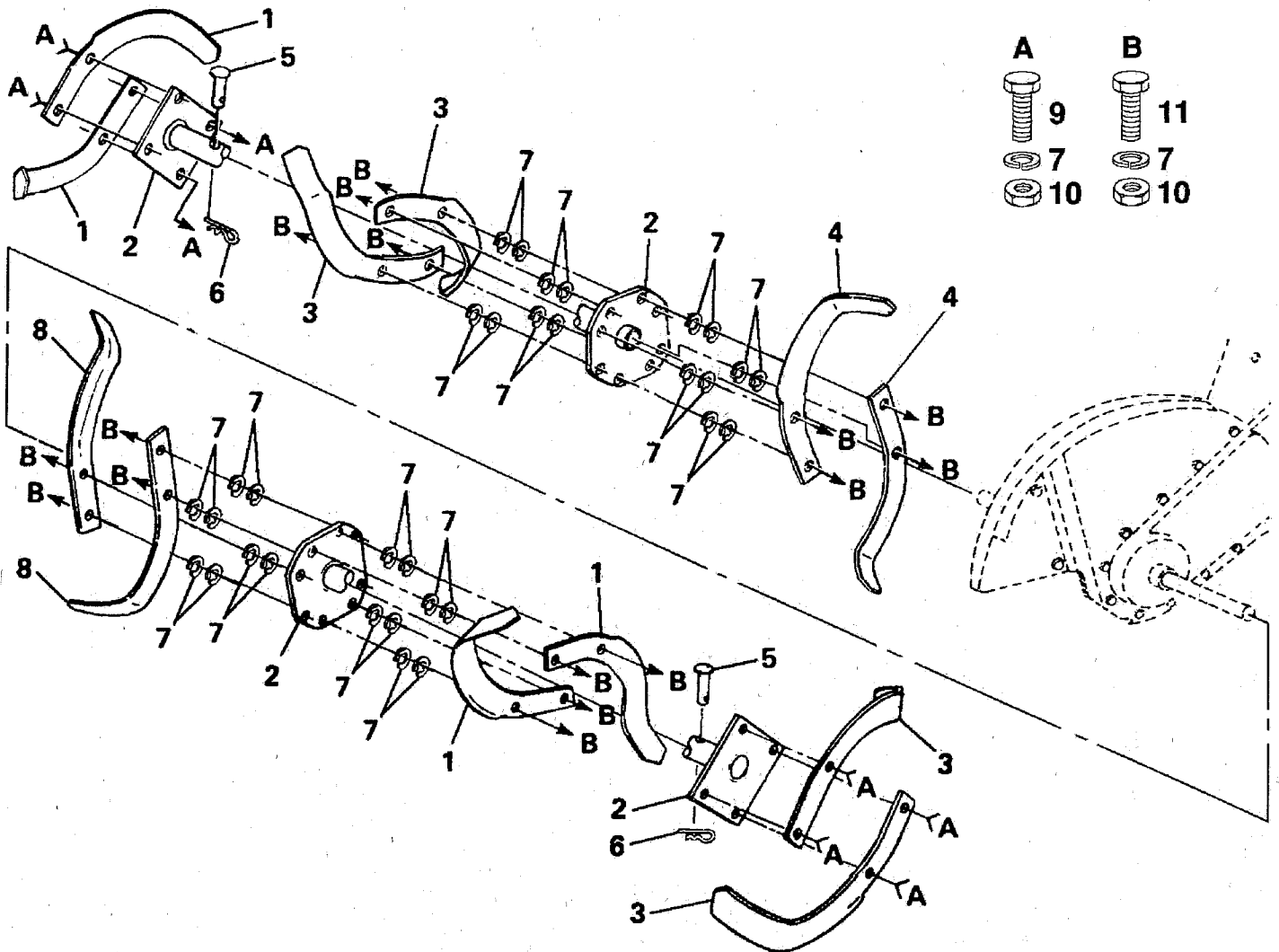
KEY NO.	PART NO.	DESCRIPTION
16	73220400	Nut, Fin, Hex 1/4-20
17	104084X505	Shield, Side
18	72040410	Bolt, Carriage 1/4-20 x 1-1/4 Gr. 5
19	8389J	Grip
20	73220600	Nut, Hex 3/8-16
21	138420	Stake, Depth
22	74930656	Bolt, Hex 3/8-16 x 2-1/2
23	4440J	Hinge
24	72140408	Bolt, Carriage 1/4-20 x 1/2 Gr. 5
25	6712J	Cap, Vinyl
26	109227X	Pad, Idler
27	102713X505	Shield, Leveling
28	138609	Pin, Hinge

**NOTE:** All component dimensions given in U.S. inches.  
1 inch = 25.4 mm

# REPAIR PARTS

8 HP 21" TILLER - - MODEL NUMBER 952052

## TINE ASSEMBLY



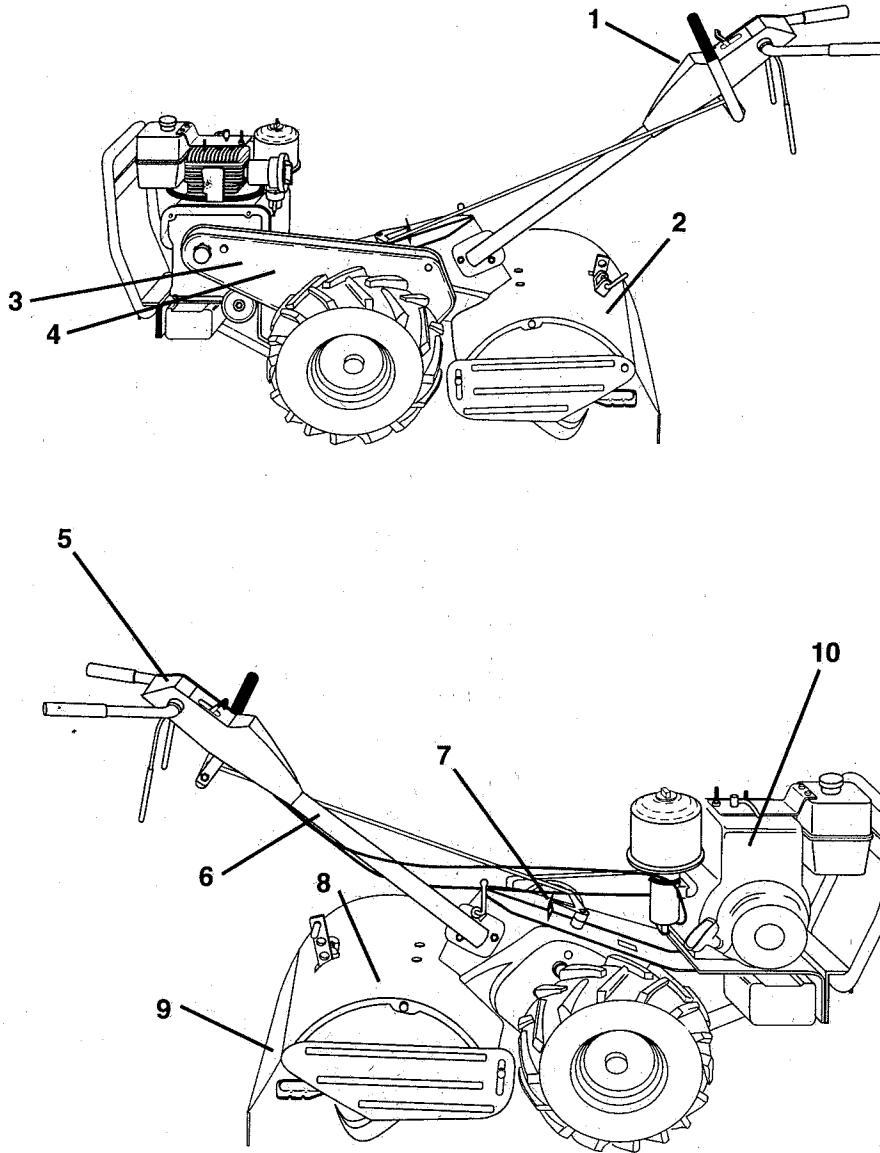
KEY NO.	PART NO.	DESCRIPTION
1	6556J	Tine, L.H., 14"
2	100445L	Hub Assembly
3	6557J	Tine, R.H., 14"
4	101194M	Tine, L.H., 14"
5	4929H	Rivet, Panhead
6	3146R	Clip, Hairpin
7	10040600	Washer, Lock 3/8
8	101193M	Tine, R.H., 14"
9	74610616	Bolt, Hex Head 3/8-24 x 1
10	73610600	Nut, Hex 3/8-24
11	74610624	Bolt, Hex Head 3/8-24 x 1-1/2

**NOTE:** All component dimensions given in U.S. inches.  
1 inch = 25.4 mm

# REPAIR PARTS

## 8 HP 21" TILLER - - MODEL NO. 952052

### DECALS



KEY NO.	PART NO.	DESCRIPTION
1	138535	Decal, Logo
2	138542	Decal, Description
3	138543	Decal, Logo
4	143167	Decal, Logo
5	139384	Decal, Instruction, Tilling
6	120431X	Decal, Hand Placement
7	138546	Decal, Shift Indicator
8	110593X	Decal, Caution
9	120075X	Decal, Warning, Rotating Tines
10	271636	Decal, Briggs & Statton
--	144587	Manual, Owner's