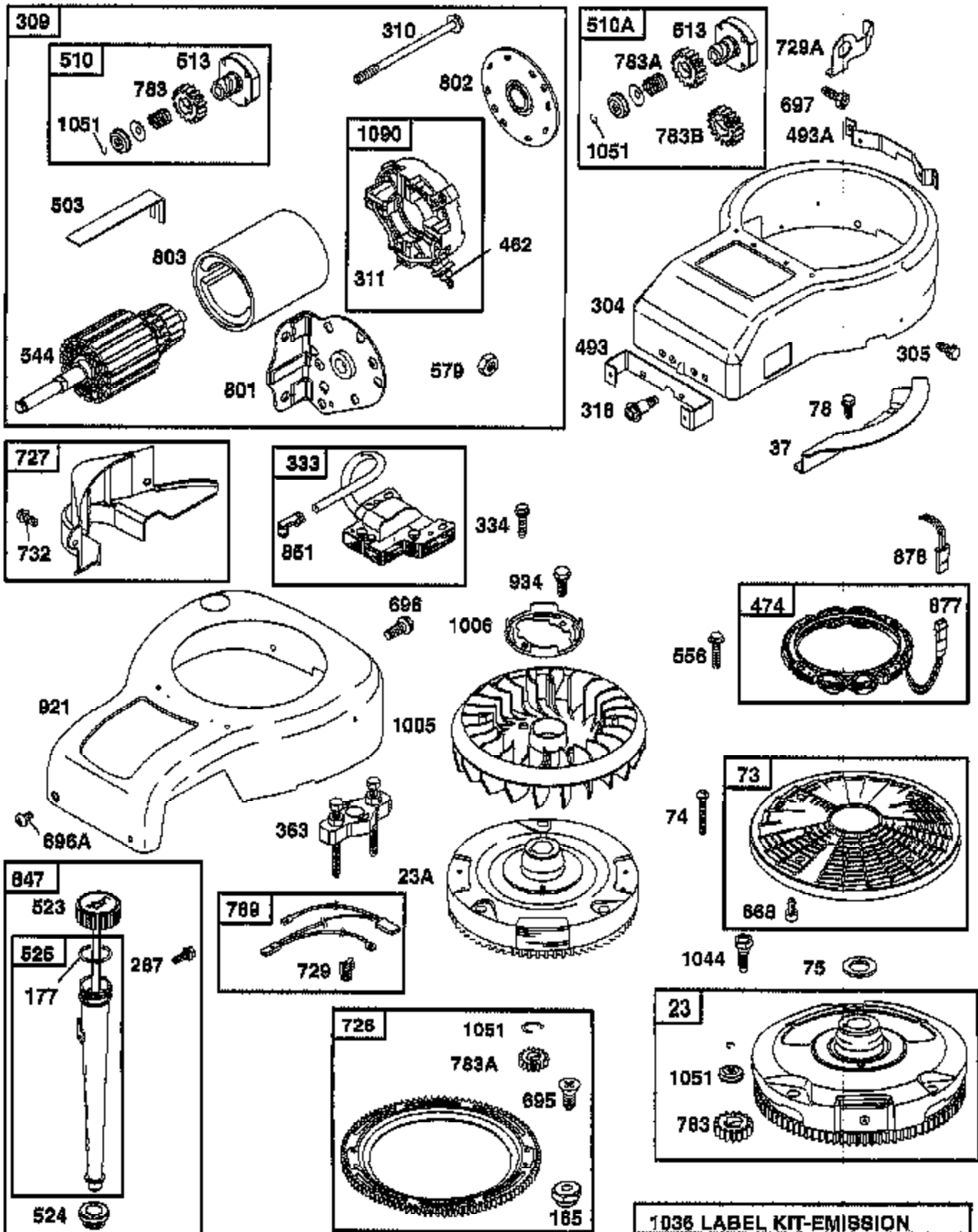


### TRACTOR -- MODEL NUMBER AYP9178A99

### BRIGGS & STRATTON ENGINE - MODEL NUMBER 311777, TYPE NUMBER 0134-E1



Ref #	Part Number	Qty	Description
	1 690156		CYLINDER ASSEMBLY
	2 399265		P/N CONFLICT - CHECK WITH SUPPLIER
	3 391086		SEAL, OIL
	4 693582		SUMP-ENGINE
	5 690188		HEAD, CYLINDER
	7 692410		GASKET
	8 495735		BREATHER ASSY
	9 27803		GASKET, VALVE COVER
	10 94621		SCREW, STEMS
	11 281246		TUBE, BREATHER
	12 271916		GASKET, CRANKCASE COVER 1/64"
	12 271997		GASKET, CRANKCASE COVER .005"
	12 271996		GASKET, CRANKCASE COVER .009"
	13 94728		SCREW, CYLINDER HEAD
	15 SUPPLIER		CHECK WITH SUPPLIER
	15 94239		PLUG, OIL DRAIN
	15A 91488		PLUG, PIPE
	16 690136		CRANKSHAFT
	20 291675		SEAL, OIL
	22 95187		SCREW
	23 693557		FLYWHEEL
	23A 492326		FLYWHEEL & RING GEAR ASSY, MAGNETO
	24 222698		KEY, FLYWHEEL
	25 692271		PISTON, ASSEMBLY
	25 692272		PISTON ASSEMBLY
	25 692273		PISTON ASSEMBLY
	25 692274		PISTON ASSEMBLY
	26 690162		RING SET, PISTON
	26 690164		RING SET, PISTON
	26 690166		RING SET, PISTON
	26 690168		RING SET, PISTON
	27 263129		LOCK, PISTON PIN
	28 498319		PIN, PISTON, STD SIZE
	28 498320		PIN ASSY., PISTON, .005" OVERSIZE
	29 692419		CONNECTING ROD
	29 499940		ROD ASSEMBLY, CONNECTING
	32 692852		SCREW
	33 495856		VALVE, EXHAUST
	34 495857		VALVE, INTAKE
	35 262811		SPRING, VALVE
	37 224502		GUARD, FLYWHEEL
	40 224641		RETAINER, VALVE SPRING
	43 490815		GOVERNOR GEAR
	45 262411		TAPPET, VALVE
	46 693450		CAMSHAFT
	48 692707		SHORT BLOCK
	50 690193		MANIFOLD, INTAKE
	51 693138		INTAKE GASKET
	51A 273650		GASKET, INTAKE
	53 690227		STUD
	54 95160		SCREW
	73 494439		SCREEN, ROTATING
	74 94821		SCREW, SEMS
	75 225136		WASHER, SPRING
	78 94896		SCREW, SEMS
	87 491323		SEAL, GOVERNOR
	93 281346		BUSHING, THROTTLE SHAFT
	94 498030		VALVE, IDLE, ADJUSTMENT

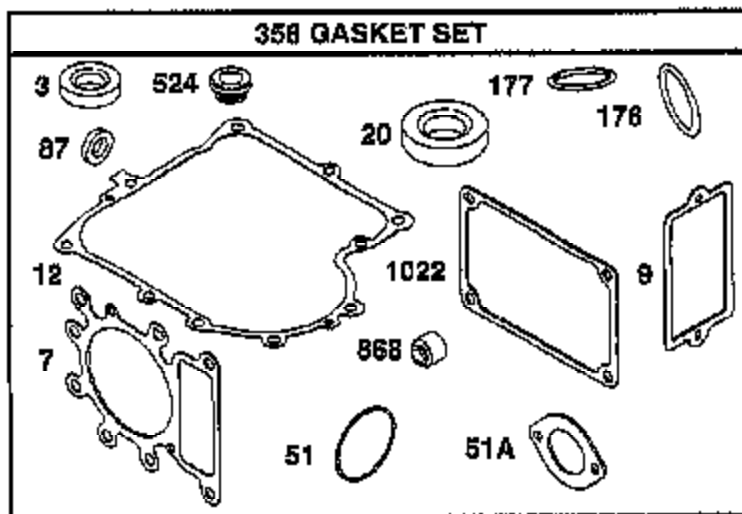
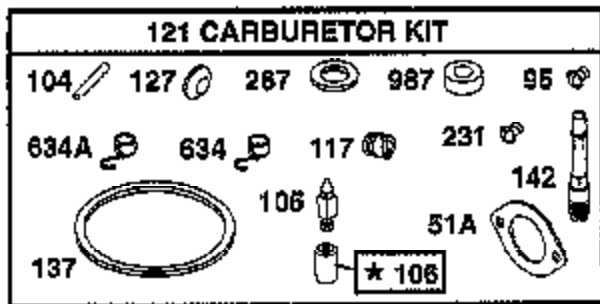
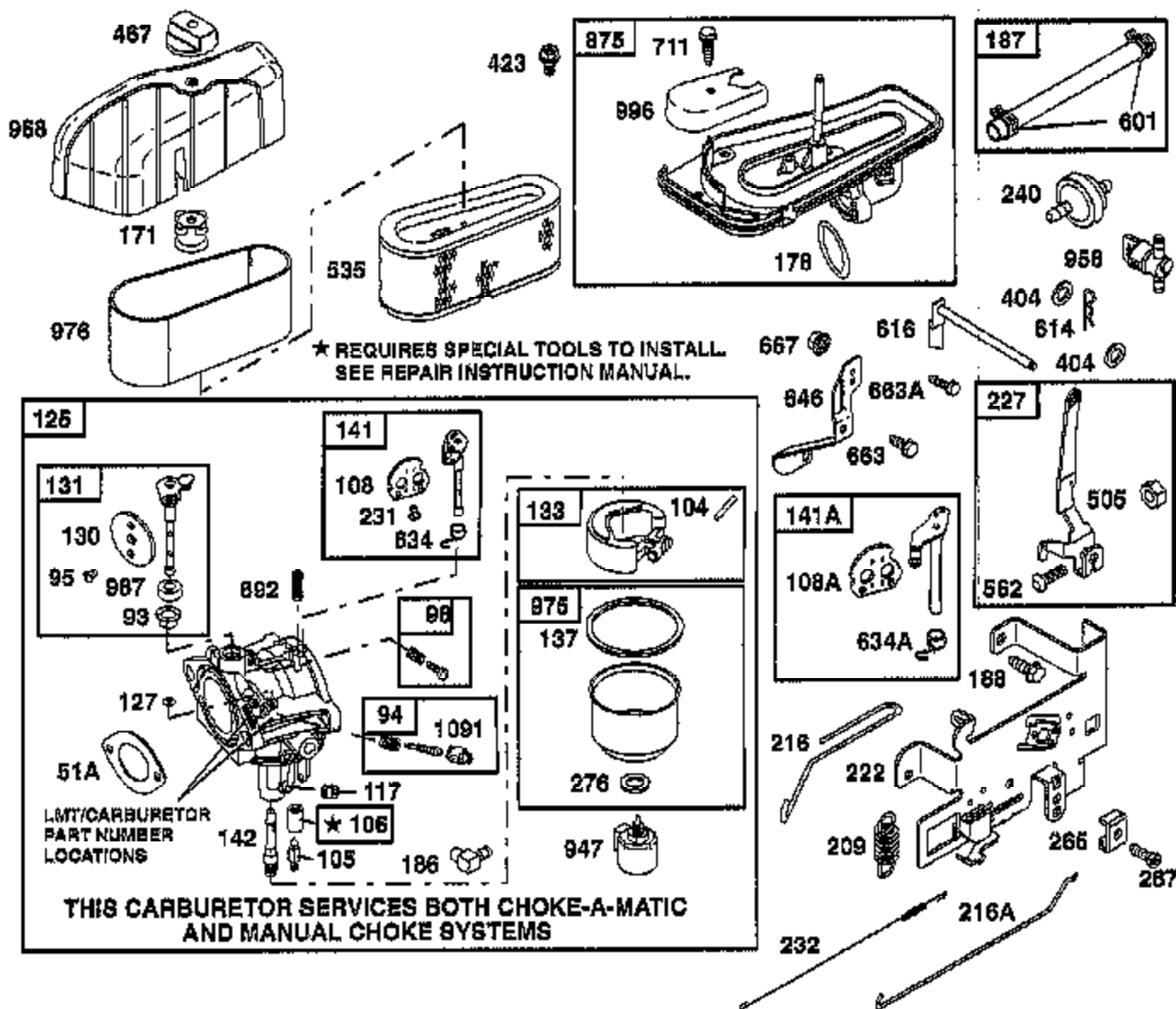
Ref #	Part Number	Qty	Description
95	94098		SCREW, THROTTLE
98	495800		SCREW, IDLE SPEED
104	231789		PIN, FLOAT HINGE
105	231855		VALVE ASSY, INLET NEEDLE
106	231854		INLET VALVE SEAT
108	224558		VALVE, CHOKE
108A	224540		VALVE, CHOKE
117	232118		JET, MAIN (STANDARD)
117	232119		JET, MAIN (HIGH ALTITUDE)
121	690191		CARBURETOR OVERHAUL KIT
125	690194		CARBURETOR
127	PARTSIMAGE		REFER TO PARTS IMAGE
130	224539		VALVE, THROTTLE
131	494379		SHAFT & LEVER, THROTTLE
133	494381		FLOAT, CARBURETOR
137	281165		GASKET, FLOAT BOWL
141	495097		SHAFT
141A	495931		SHAFT & LEVER, CHOKE
142	232117		NOZZLE, CARBURETOR
146	94196		KEY, TIMING GEAR
165	693148		NUT
171	281051		P/N CONFLICT - CHECK WITH SUPPLIER
176	691917		SEAL O-RING
177	270920		SEAL, OIL FILLER CAP
186	493496		ELBOW, FUEL PIPE
187	492790		HOSE, FUEL
188	94929		SCREW, SELF-TAPPING
192	492160		SCREW ASSY, ROCKER ARM
209	260695		SPRING, GOVERNOR
216	262766		LINK, CHOKE
216A	262767		LINK, GOVERNOR
222	495611		PLATE, GOVERNOR CONTROL
227	493935		LEVER ASSY, GOVERNOR
231	94098		SCREW, THROTTLE
232	262785		SPRING, GOVERNOR LINK
238	262836		CAP, VALVE
240	394358		FILTER, FUEL
265	221535		CLAMP
267	94906		SCREW
276	281164		WASHER, FLOAT BOWL SCREW
287	94903		SCREW, HEX HEAD
294	810104		ADJUSTER, ROCKER ARM
304	225017		HOUSING, BLOWER, INNER, BLACK
305	94863		SCREW
306	225020		SHIELD, CYLINDER
307	94930		SCREW
309	693551		MOTOR, STARTER
309	497595		MOTOR, STARTING, 12 VOLT
309	693054		MOTOR, STARTER
310	94003		BOLT
311	497608		BRUSH SET
318	94734		SCREW
333	495859		ARMATURE, MAGNETO
334	94731		SCREW, SEMS
337	491055		PLUG, SPARK
358	690189		GASKET SET
363	19203		PULLER, FLYWHEEL
383	89838		WRENCH SPARK PLUG

Ref #	Part Number	Qty	Description
404	94927		WASHER, GOVERNOR LEVER
423	95163		SCREW
462	225137		WASHER, FLAT
467	493903		KNOB, AIR CLEANER
474	393474		STATOR, ALTERNATOR, DUAL CIRCUIT
493	224968		BRACKET, BLOWER HOUSING, FRONT
493A	224969		BRACKET, BLOWER HOUSING, REAR
503	806000		STRAP, STARTER
505	231978		NUT, HEX
510	693699		DRIVE, STARTER
510A	497606		DRIVE, STARTER
513	398003		CLUTCH ASSEMBLY
523	495230		CAP AND DIPSTICK, OIL FILLER
524	281370		SEAL, FILLER TUBE
525	496113		TUBE, OIL FILLER
535	496894		CARTRIDGE, AIR CLEANER
544	497603		ARMATURE, STARTER
552	491986		BUSHING, GOVERNOR CRANK
556	93621		SCREW, SEMS
562	94907		BOLT, GOVENOR LEVEL
579	92278		NUT, HEX
601	93053		CLAMP, HOSE, GREEN
614	93306		COTTER, HAIR PIN
616	495157		CRANK, GOVERNOR, 1/4" DIAMETER
634	494453		SEAL, SPRING ASSY.
634A	494455		SEAL, SPRING ASSY.
635	280872		ELBOW, SPARK PLUG
646	224546		BRACE, AIR CLEANER
654	94010		LOCKNUT, AIR CLEANER MOUNTING
663	94929		SCREW, SELF-TAPPING
663A	94704		SCREW, AIR CLEANER
667	94010		LOCKNUT, AIR CLEANER MOUNTING
668	805402		SPACER, ROTATING SCREEN
692	262715		SPRING, CHOKE
695	693109		SCREW
696	94863		SCREW
696A	94822		SCREW, SEMS
697	94951		SCREW, HEX HEAD
711	690703		SCREW
718	230192		PIN, DOWEL
726	399676		GEAR, RING
727	490324		COVER, STARTER
729	281390		CLIP, WIRE
729A	225170		RETAINER, WIRE
732	94625		SCREW
741	262932		GEAR, TIMING
750	691033		SCREW, T-30
757	213998		LINK, COUNTERWEIGHT
758	499994		COUNTERWEIGHT
759	230787		PIN, COUNTERWEIGHT
761	94593		SCREW, COUNTERWEIGHT
783	693713		GEAR, PINION
783A	693059		GEAR, PINION
783B	693058		GEAR, PINION
789	497708		WIRE ASSY
801	497626		CAP, DRIVE
802	497607		P/N CONFLICT - CHECK WITH SUPPLIER
803	497604		HOUSING, STARTER

Ref #	Part Number	Qty	Description
830	94555		STUD, ROCKER ARM
847	496415		P/N CONFLICT - CHECK WITH SUPPLIER
851	224110		TERMINAL, IGNITION CABLE
868	499236		SEAL, VALVE
871	262835		BUSHING, GUIDE (INTAKE & EXHAUST)
875	693686		BASE, CLEANER
877	393456		DIODE & CONNECTOR ASSY
878	393362		HARNESS, ALTERNATOR
914	94863		SCREW
921	225511		HOUSING, BLOWER
934	94627		SCREW, SEMS 3/4"
943	280801		SEAL O-RING
947	497672		SOLENOID
958	494768		VALVE, SHUT-OFF
965	499613		COVER, OIL PUMP
967	272403		ELEMENT, AIR CLEANER
968	281758		COVER, AIR CLEANER
975	495933		BOWL ASSEMBLY, CARBURETOR
977	690192		GASKET SET, CARBURETOR
987	281166		SEAL, THROTTLE SHAFT
996	690678		SHIELD, CARBURETOR
1005	281400		FAN, FLYWHEEL
1006	224413		RETAINER, FAN
1017	690770		SCREEN, OIL PUMP
1019	690180		LABEL KIT
1022	272475		GASKET, COVER
1023	225521		COVER, ROCKER
1024	499054		PUMP, OIL
1026	494432		ROD, PUSH, INTAKE
1026A	495136		ROD, PUSH, EXHAUST
1027	492932		FILTER, OIL
1029	224554		ARM, ROCKER
1033	690190		VALVE, OVERHAUL KIT
1034	495248		GUIDE ASSEMBLY, PUSH ROD
1036	692468		LABEL KIT, EMISSION
1044	94673		SCREW, SHOULDER, HEX HEAD
1051	263080		RETAINER
1058	273683		OWNER'S MANUAL
1090	497605		P/N CONFLICT - CHECK WITH SUPPLIER
1091	281364		CAP, LIMITER
	311777-0036-E1		REPLACEMENT ENGINE

### TRACTOR - - MODEL NUMBER AYP9178A99

### BRIGGS & STRATTON ENGINE - MODEL NUMBER 311777, TYPE NUMBER 0134-E1



Ref #	Part Number	Qty	Description
1	690156		CYLINDER ASSEMBLY
2	399265		P/N CONFLICT - CHECK WITH SUPPLIER
3	391086		SEAL, OIL
4	693582		SUMP-ENGINE
5	690188		HEAD, CYLINDER
7	692410		GASKET
8	495735		BREATHER ASSY
9	27803		GASKET, VALVE COVER
10	94621		SCREW, STEMS
11	281246		TUBE, BREATHER
12	271916		GASKET, CRANKCASE COVER 1/64"
12	271997		GASKET, CRANKCASE COVER .005"
12	271996		GASKET, CRANKCASE COVER .009"
13	94728		SCREW, CYLINDER HEAD
15	SUPPLIER		CHECK WITH SUPPLIER
15	94239		PLUG, OIL DRAIN
15A	91488		PLUG, PIPE
16	690136		CRANKSHAFT
20	291675		SEAL, OIL
22	95187		SCREW
23	693557		FLYWHEEL
23A	492326		FLYWHEEL & RING GEAR ASSY, MAGNETO
24	222698		KEY, FLYWHEEL
25	692271		PISTON, ASSEMBLY
25	692272		PISTON ASSEMBLY
25	692273		PISTON ASSEMBLY
25	692274		PISTON ASSEMBLY
26	690162		RING SET, PISTON
26	690164		RING SET, PISTON
26	690166		RING SET, PISTON
26	690168		RING SET, PISTON
27	263129		LOCK, PISTON PIN
28	498319		PIN, PISTON, STD SIZE
28	498320		PIN ASSY., PISTON, .005" OVERSIZE
29	692419		CONNECTING ROD
29	499940		ROD ASSEMBLY, CONNECTING
32	692852		SCREW
33	495856		VALVE, EXHAUST
34	495857		VALVE, INTAKE
35	262811		SPRING, VALVE
37	224502		GUARD, FLYWHEEL
40	224641		RETAINER, VALVE SPRING
43	490815		GOVERNOR GEAR
45	262411		TAPPET, VALVE
46	693450		CAMSHAFT
48	692707		SHORT BLOCK
50	690193		MANIFOLD, INTAKE
51	693138		INTAKE GASKET
51A	273650		GASKET, INTAKE
53	690227		STUD
54	95160		SCREW
73	494439		SCREEN, ROTATING
74	94821		SCREW, SEMS
75	225136		WASHER, SPRING
78	94896		SCREW, SEMS
87	491323		SEAL, GOVERNOR
93	281346		BUSHING, THROTTLE SHAFT
94	498030		VALVE, IDLE, ADJUSTMENT

Ref #	Part Number	Qty	Description
	95 94098		SCREW, THROTTLE
	98 495800		SCREW, IDLE SPEED
	104 231789		PIN, FLOAT HINGE
	105 231855		VALVE ASSY, INLET NEEDLE
	106 231854		INLET VALVE SEAT
	108 224558		VALVE, CHOKE
	108A 224540		VALVE, CHOKE
	117 232118		JET, MAIN (STANDARD)
	117 232119		JET, MAIN (HIGH ALTITUDE)
	121 690191		CARBURETOR OVERHAUL KIT
	125 690194		CARBURETOR
	127 PARTSIMAGE		REFER TO PARTS IMAGE
	130 224539		VALVE, THROTTLE
	131 494379		SHAFT & LEVER, THROTTLE
	133 494381		FLOAT, CARBURETOR
	137 281165		GASKET, FLOAT BOWL
	141 495097		SHAFT
	141A 495931		SHAFT & LEVER, CHOKE
	142 232117		NOZZLE, CARBURETOR
	146 94196		KEY, TIMING GEAR
	165 693148		NUT
	171 281051		P/N CONFLICT - CHECK WITH SUPPLIER
	176 691917		SEAL O-RING
	177 270920		SEAL, OIL FILLER CAP
	186 493496		ELBOW, FUEL PIPE
	187 492790		HOSE, FUEL
	188 94929		SCREW, SELF-TAPPING
	192 492160		SCREW ASSY, ROCKER ARM
	209 260695		SPRING, GOVERNOR
	216 262766		LINK, CHOKE
	216A 262767		LINK, GOVERNOR
	222 495611		PLATE, GOVERNOR CONTROL
	227 493935		LEVER ASSY, GOVERNOR
	231 94098		SCREW, THROTTLE
	232 262785		SPRING, GOVERNOR LINK
	238 262836		CAP, VALVE
	240 394358		FILTER, FUEL
	265 221535		CLAMP
	267 94906		SCREW
	276 281164		WASHER, FLOAT BOWL SCREW
	287 94903		SCREW, HEX HEAD
	294 810104		ADJUSTER, ROCKER ARM
	304 225017		HOUSING, BLOWER, INNER, BLACK
	305 94863		SCREW
	306 225020		SHIELD, CYLINDER
	307 94930		SCREW
	309 693551		MOTOR, STARTER
	309 497595		MOTOR, STARTING, 12 VOLT
	309 693054		MOTOR, STARTER
	310 94003		BOLT
	311 497608		BRUSH SET
	318 94734		SCREW
	333 495859		ARMATURE, MAGNETO
	334 94731		SCREW, SEMS
	337 491055		PLUG, SPARK
	358 690189		GASKET SET
	363 19203		PULLER, FLYWHEEL
	383 89838		WRENCH SPARK PLUG



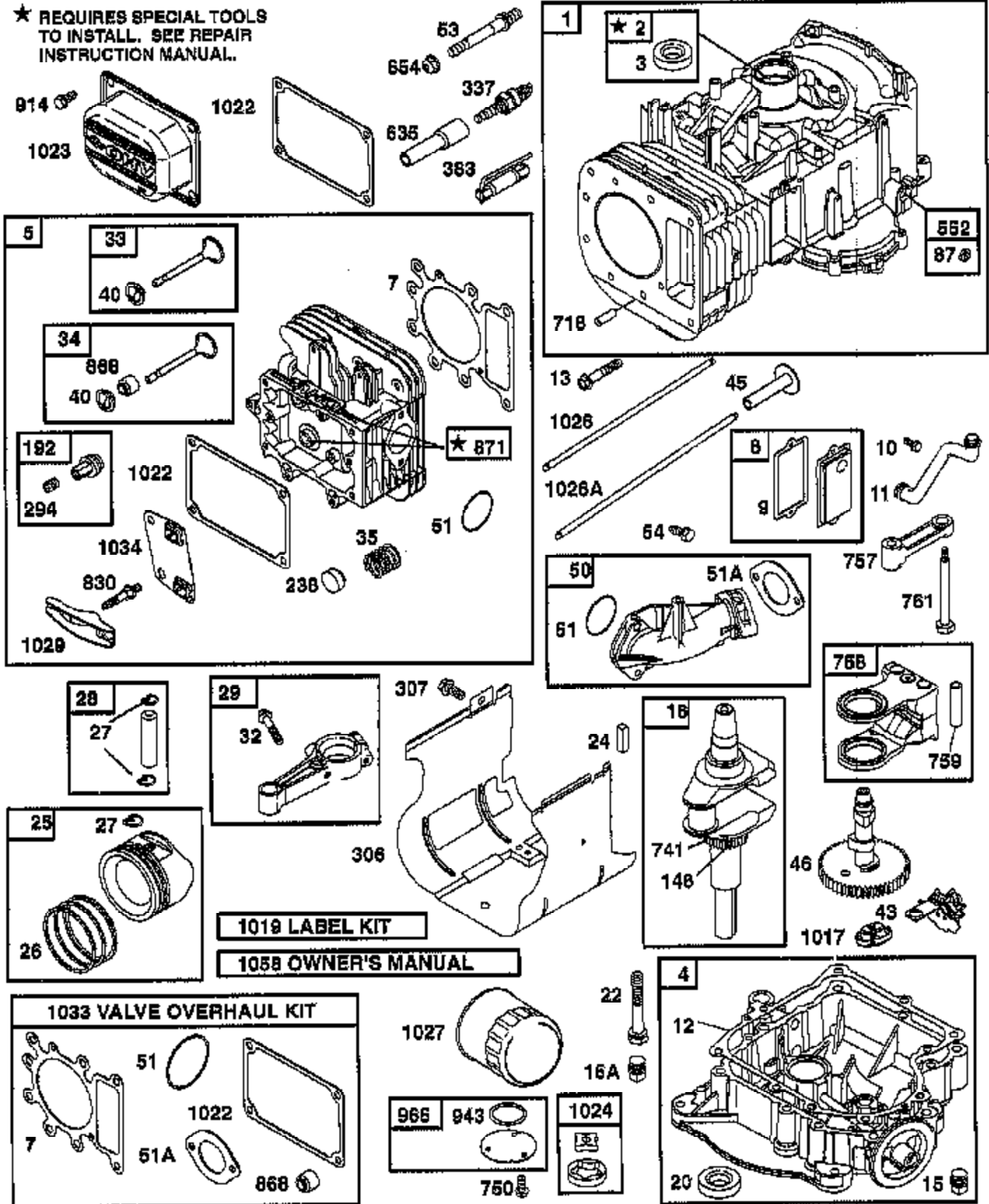
Ref #	Part Number	Qty	Description
404	94927		WASHER, GOVERNOR LEVER
423	95163		SCREW
462	225137		WASHER, FLAT
467	493903		KNOB, AIR CLEANER
474	393474		STATOR, ALTERNATOR, DUAL CIRCUIT
493	224968		BRACKET, BLOWER HOUSING, FRONT
493A	224969		BRACKET, BLOWER HOUSING, REAR
503	806000		STRAP, STARTER
505	231978		NUT, HEX
510	693699		DRIVE, STARTER
510A	497606		DRIVE, STARTER
513	398003		CLUTCH ASSEMBLY
523	495230		CAP AND DIPSTICK, OIL FILLER
524	281370		SEAL, FILLER TUBE
525	496113		TUBE, OIL FILLER
535	496894		CARTRIDGE, AIR CLEANER
544	497603		ARMATURE, STARTER
552	491986		BUSHING, GOVERNOR CRANK
556	93621		SCREW, SEMS
562	94907		BOLT, GOVENOR LEVEL
579	92278		NUT, HEX
601	93053		CLAMP, HOSE, GREEN
614	93306		COTTER, HAIR PIN
616	495157		CRANK, GOVERNOR, 1/4" DIAMETER
634	494453		SEAL, SPRING ASSY.
634A	494455		SEAL, SPRING ASSY.
635	280872		ELBOW, SPARK PLUG
646	224546		BRACE, AIR CLEANER
654	94010		LOCKNUT, AIR CLEANER MOUNTING
663	94929		SCREW, SELF-TAPPING
663A	94704		SCREW, AIR CLEANER
667	94010		LOCKNUT, AIR CLEANER MOUNTING
668	805402		SPACER, ROTATING SCREEN
692	262715		SPRING, CHOKE
695	693109		SCREW
696	94863		SCREW
696A	94822		SCREW, SEMS
697	94951		SCREW, HEX HEAD
711	690703		SCREW
718	230192		PIN, DOWEL
726	399676		GEAR, RING
727	490324		COVER, STARTER
729	281390		CLIP, WIRE
729A	225170		RETAINER, WIRE
732	94625		SCREW
741	262932		GEAR, TIMING
750	691033		SCREW, T-30
757	213998		LINK, COUNTERWEIGHT
758	499994		COUNTERWEIGHT
759	230787		PIN, COUNTERWEIGHT
761	94593		SCREW, COUNTERWEIGHT
783	693713		GEAR, PINION
783A	693059		GEAR, PINION
783B	693058		GEAR, PINION
789	497708		WIRE ASSY
801	497626		CAP, DRIVE
802	497607		P/N CONFLICT - CHECK WITH SUPPLIER
803	497604		HOUSING, STARTER

Ref #	Part Number	Qty	Description
830	94555		STUD, ROCKER ARM
847	496415		P/N CONFLICT - CHECK WITH SUPPLIER
851	224110		TERMINAL, IGNITION CABLE
868	499236		SEAL, VALVE
871	262835		BUSHING, GUIDE (INTAKE & EXHAUST)
875	693686		BASE, CLEANER
877	393456		DIODE & CONNECTOR ASSY
878	393362		HARNESS, ALTERNATOR
914	94863		SCREW
921	225511		HOUSING, BLOWER
934	94627		SCREW, SEMS 3/4"
943	280801		SEAL O-RING
947	497672		SOLENOID
958	494768		VALVE, SHUT-OFF
965	499613		COVER, OIL PUMP
967	272403		ELEMENT, AIR CLEANER
968	281758		COVER, AIR CLEANER
975	495933		BOWL ASSEMBLY, CARBURETOR
977	690192		GASKET SET, CARBURETOR
987	281166		SEAL, THROTTLE SHAFT
996	690678		SHIELD, CARBURETOR
1005	281400		FAN, FLYWHEEL
1006	224413		RETAINER, FAN
1017	690770		SCREEN, OIL PUMP
1019	690180		LABEL KIT
1022	272475		GASKET, COVER
1023	225521		COVER, ROCKER
1024	499054		PUMP, OIL
1026	494432		ROD, PUSH, INTAKE
1026A	495136		ROD, PUSH, EXHAUST
1027	492932		FILTER, OIL
1029	224554		ARM, ROCKER
1033	690190		VALVE, OVERHAUL KIT
1034	495248		GUIDE ASSEMBLY, PUSH ROD
1036	692468		LABEL KIT, EMISSION
1044	94673		SCREW, SHOULDER, HEX HEAD
1051	263080		RETAINER
1058	273683		OWNER'S MANUAL
1090	497605		P/N CONFLICT - CHECK WITH SUPPLIER
1091	281364		CAP, LIMITER
	311777-0036-E1		REPLACEMENT ENGINE

# TRACTOR - - MODEL NUMBER AYP9178A99

## BRIGGS & STRATTON ENGINE - MODEL NUMBER 311777, TYPE NUMBER 0134-E1

★ REQUIRES SPECIAL TOOLS TO INSTALL. SEE REPAIR INSTRUCTION MANUAL.



Ref #	Part Number	Qty	Description
1	690156		CYLINDER ASSEMBLY
2	399265		P/N CONFLICT - CHECK WITH SUPPLIER
3	391086		SEAL, OIL
4	693582		SUMP-ENGINE
5	690188		HEAD, CYLINDER
7	692410		GASKET
8	495735		BREATHER ASSY
9	27803		GASKET, VALVE COVER
10	94621		SCREW, STEMS
11	281246		TUBE, BREATHER
12	271916		GASKET, CRANKCASE COVER 1/64"
12	271997		GASKET, CRANKCASE COVER .005"
12	271996		GASKET, CRANKCASE COVER .009"
13	94728		SCREW, CYLINDER HEAD
15	SUPPLIER		CHECK WITH SUPPLIER
15	94239		PLUG, OIL DRAIN
15A	91488		PLUG, PIPE
16	690136		CRANKSHAFT
20	291675		SEAL, OIL
22	95187		SCREW
23	693557		FLYWHEEL
23A	492326		FLYWHEEL & RING GEAR ASSY, MAGNETO
24	222698		KEY, FLYWHEEL
25	692271		PISTON, ASSEMBLY
25	692272		PISTON ASSEMBLY
25	692273		PISTON ASSEMBLY
25	692274		PISTON ASSEMBLY
26	690162		RING SET, PISTON
26	690164		RING SET, PISTON
26	690166		RING SET, PISTON
26	690168		RING SET, PISTON
27	263129		LOCK, PISTON PIN
28	498319		PIN, PISTON, STD SIZE
28	498320		PIN ASSY., PISTON, .005" OVERSIZE
29	692419		CONNECTING ROD
29	499940		ROD ASSEMBLY, CONNECTING
32	692852		SCREW
33	495856		VALVE, EXHAUST
34	495857		VALVE, INTAKE
35	262811		SPRING, VALVE
37	224502		GUARD, FLYWHEEL
40	224641		RETAINER, VALVE SPRING
43	490815		GOVERNOR GEAR
45	262411		TAPPET, VALVE
46	693450		CAMSHAFT
48	692707		SHORT BLOCK
50	690193		MANIFOLD, INTAKE
51	693138		INTAKE GASKET
51A	273650		GASKET, INTAKE
53	690227		STUD
54	95160		SCREW
73	494439		SCREEN, ROTATING
74	94821		SCREW, SEMS
75	225136		WASHER, SPRING
78	94896		SCREW, SEMS
87	491323		SEAL, GOVERNOR
93	281346		BUSHING, THROTTLE SHAFT
94	498030		VALVE, IDLE, ADJUSTMENT

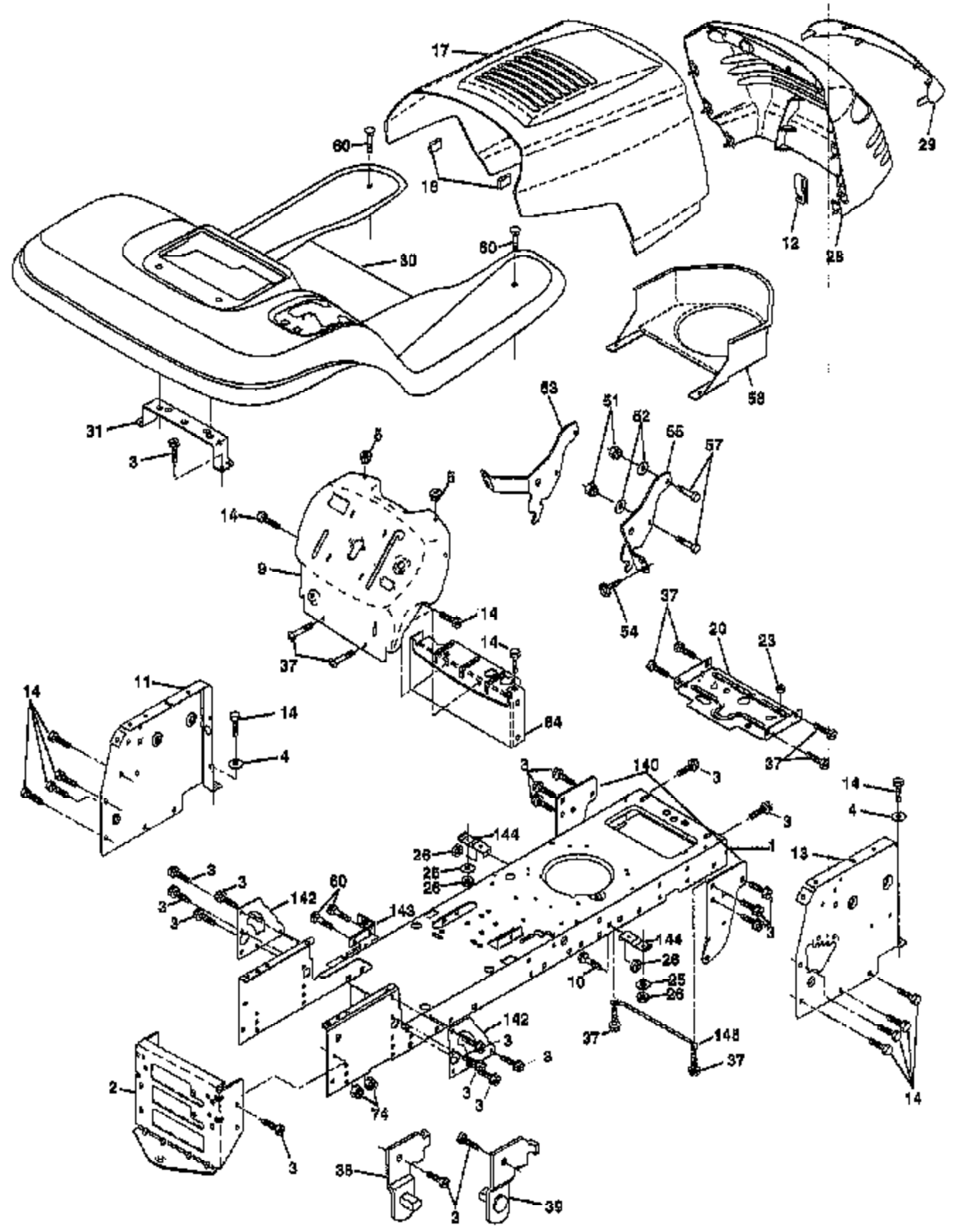
Ref #	Part Number	Qty	Description
95	94098		SCREW, THROTTLE
98	495800		SCREW, IDLE SPEED
104	231789		PIN, FLOAT HINGE
105	231855		VALVE ASSY, INLET NEEDLE
106	231854		INLET VALVE SEAT
108	224558		VALVE, CHOKE
108A	224540		VALVE, CHOKE
117	232118		JET, MAIN (STANDARD)
117	232119		JET, MAIN (HIGH ALTITUDE)
121	690191		CARBURETOR OVERHAUL KIT
125	690194		CARBURETOR
127	PARTSIMAGE		REFER TO PARTS IMAGE
130	224539		VALVE, THROTTLE
131	494379		SHAFT & LEVER, THROTTLE
133	494381		FLOAT, CARBURETOR
137	281165		GASKET, FLOAT BOWL
141	495097		SHAFT
141A	495931		SHAFT & LEVER, CHOKE
142	232117		NOZZLE, CARBURETOR
146	94196		KEY, TIMING GEAR
165	693148		NUT
171	281051		P/N CONFLICT - CHECK WITH SUPPLIER
176	691917		SEAL O-RING
177	270920		SEAL, OIL FILLER CAP
186	493496		ELBOW, FUEL PIPE
187	492790		HOSE, FUEL
188	94929		SCREW, SELF-TAPPING
192	492160		SCREW ASSY, ROCKER ARM
209	260695		SPRING, GOVERNOR
216	262766		LINK, CHOKE
216A	262767		LINK, GOVERNOR
222	495611		PLATE, GOVERNOR CONTROL
227	493935		LEVER ASSY, GOVERNOR
231	94098		SCREW, THROTTLE
232	262785		SPRING, GOVERNOR LINK
238	262836		CAP, VALVE
240	394358		FILTER, FUEL
265	221535		CLAMP
267	94906		SCREW
276	281164		WASHER, FLOAT BOWL SCREW
287	94903		SCREW, HEX HEAD
294	810104		ADJUSTER, ROCKER ARM
304	225017		HOUSING, BLOWER, INNER, BLACK
305	94863		SCREW
306	225020		SHIELD, CYLINDER
307	94930		SCREW
309	693551		MOTOR, STARTER
309	497595		MOTOR, STARTING, 12 VOLT
309	693054		MOTOR, STARTER
310	94003		BOLT
311	497608		BRUSH SET
318	94734		SCREW
333	495859		ARMATURE, MAGNETO
334	94731		SCREW, SEMS
337	491055		PLUG, SPARK
358	690189		GASKET SET
363	19203		PULLER, FLYWHEEL
383	89838		WRENCH SPARK PLUG

Ref #	Part Number	Qty	Description
404	94927		WASHER, GOVERNOR LEVER
423	95163		SCREW
462	225137		WASHER, FLAT
467	493903		KNOB, AIR CLEANER
474	393474		STATOR, ALTERNATOR, DUAL CIRCUIT
493	224968		BRACKET, BLOWER HOUSING, FRONT
493A	224969		BRACKET, BLOWER HOUSING, REAR
503	806000		STRAP, STARTER
505	231978		NUT, HEX
510	693699		DRIVE, STARTER
510A	497606		DRIVE, STARTER
513	398003		CLUTCH ASSEMBLY
523	495230		CAP AND DIPSTICK, OIL FILLER
524	281370		SEAL, FILLER TUBE
525	496113		TUBE, OIL FILLER
535	496894		CARTRIDGE, AIR CLEANER
544	497603		ARMATURE, STARTER
552	491986		BUSHING, GOVERNOR CRANK
556	93621		SCREW, SEMS
562	94907		BOLT, GOVENOR LEVEL
579	92278		NUT, HEX
601	93053		CLAMP, HOSE, GREEN
614	93306		COTTER, HAIR PIN
616	495157		CRANK, GOVERNOR, 1/4" DIAMETER
634	494453		SEAL, SPRING ASSY.
634A	494455		SEAL, SPRING ASSY.
635	280872		ELBOW, SPARK PLUG
646	224546		BRACE, AIR CLEANER
654	94010		LOCKNUT, AIR CLEANER MOUNTING
663	94929		SCREW, SELF-TAPPING
663A	94704		SCREW, AIR CLEANER
667	94010		LOCKNUT, AIR CLEANER MOUNTING
668	805402		SPACER, ROTATING SCREEN
692	262715		SPRING, CHOKE
695	693109		SCREW
696	94863		SCREW
696A	94822		SCREW, SEMS
697	94951		SCREW, HEX HEAD
711	690703		SCREW
718	230192		PIN, DOWEL
726	399676		GEAR, RING
727	490324		COVER, STARTER
729	281390		CLIP, WIRE
729A	225170		RETAINER, WIRE
732	94625		SCREW
741	262932		GEAR, TIMING
750	691033		SCREW, T-30
757	213998		LINK, COUNTERWEIGHT
758	499994		COUNTERWEIGHT
759	230787		PIN, COUNTERWEIGHT
761	94593		SCREW, COUNTERWEIGHT
783	693713		GEAR, PINION
783A	693059		GEAR, PINION
783B	693058		GEAR, PINION
789	497708		WIRE ASSY
801	497626		CAP, DRIVE
802	497607		P/N CONFLICT - CHECK WITH SUPPLIER
803	497604		HOUSING, STARTER

Ref #	Part Number	Qty	Description
830	94555		STUD, ROCKER ARM
847	496415		P/N CONFLICT - CHECK WITH SUPPLIER
851	224110		TERMINAL, IGNITION CABLE
868	499236		SEAL, VALVE
871	262835		BUSHING, GUIDE (INTAKE & EXHAUST)
875	693686		BASE, CLEANER
877	393456		DIODE & CONNECTOR ASSY
878	393362		HARNESS, ALTERNATOR
914	94863		SCREW
921	225511		HOUSING, BLOWER
934	94627		SCREW, SEMS 3/4"
943	280801		SEAL O-RING
947	497672		SOLENOID
958	494768		VALVE, SHUT-OFF
965	499613		COVER, OIL PUMP
967	272403		ELEMENT, AIR CLEANER
968	281758		COVER, AIR CLEANER
975	495933		BOWL ASSEMBLY, CARBURETOR
977	690192		GASKET SET, CARBURETOR
987	281166		SEAL, THROTTLE SHAFT
996	690678		SHIELD, CARBURETOR
1005	281400		FAN, FLYWHEEL
1006	224413		RETAINER, FAN
1017	690770		SCREEN, OIL PUMP
1019	690180		LABEL KIT
1022	272475		GASKET, COVER
1023	225521		COVER, ROCKER
1024	499054		PUMP, OIL
1026	494432		ROD, PUSH, INTAKE
1026A	495136		ROD, PUSH, EXHAUST
1027	492932		FILTER, OIL
1029	224554		ARM, ROCKER
1033	690190		VALVE, OVERHAUL KIT
1034	495248		GUIDE ASSEMBLY, PUSH ROD
1036	692468		LABEL KIT, EMISSION
1044	94673		SCREW, SHOULDER, HEX HEAD
1051	263080		RETAINER
1058	273683		OWNER'S MANUAL
1090	497605		P/N CONFLICT - CHECK WITH SUPPLIER
1091	281364		CAP, LIMITER
	311777-0036-E1		REPLACEMENT ENGINE

# TRACTOR - - MODEL NUMBER AYP9178A99

## CHASSIS AND ENCLOSURES

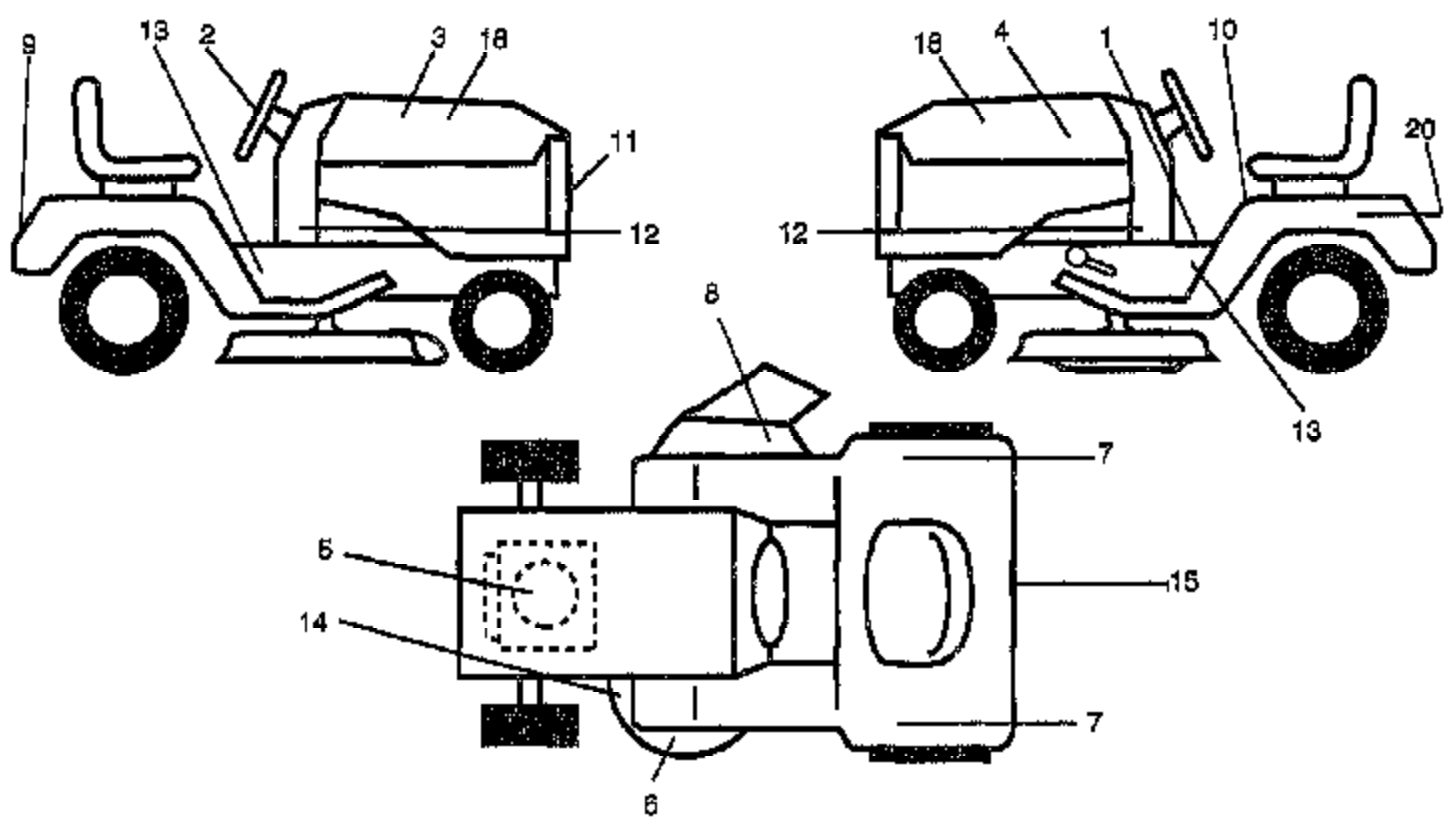




Ref #	Part Number	Qty	Description
1	165583		CHASSIS.STLT
2	140356		SUB= 145009
3	17490612		SCREW
4	19131216		WASHER
5	155272		BUMPER-HOOD/DASH
9	161917X012		DASH
10	72140608		SUB= 72110608
11	155927		"PANEL-DASH,LH"
12	145660		CLIP.TINNERMAN
13	155936		"PANEL-DASH,RH"
14	17490608		SCREW LT
17	159639X418		HOOD.STEEL.ASSY
18	126938X		SUB= 532126938
20	156437		"PLATE-MTG,BATT/FU"
23	124028X		SUB= 532124028
25	19131312		WASHER
26	73800600		NUT
28	157428		GRILL
29	146654X599		GRILLE.LENS
30	151287X418		FEND/FTREST PNT
31	139976		BRACKET SUPT FEND
37	17490508		SCREW LT
38	139886		BRACKET ASM LH
39	139887		BRACKET ASM RH
51	73800400		NUT
52	19091416		WASHER
53	144697		BRACKET.GRILLE.LH
54	161464		SCREW.HEX.WS.HD
55	144696		BRACKET.GRILLE.RH
57	74780412		SUB= 74780414
58	150127		AIR DUCT
60	72140606		BOLT
64	154798		DASH-LOWER
74	73680400		SUB= 73690400
140	158418		BRKT SUSPENSION
142	165867		PLATE.REINFORCEMENT
143	154966		"BRKT-S'BAR,CHASSI"
144	154207		BRKT-FOOTREST
145	156524		"ROD POVOT,CHASSIS"

### TRACTOR -- MODEL NUMBER AYP9178A99

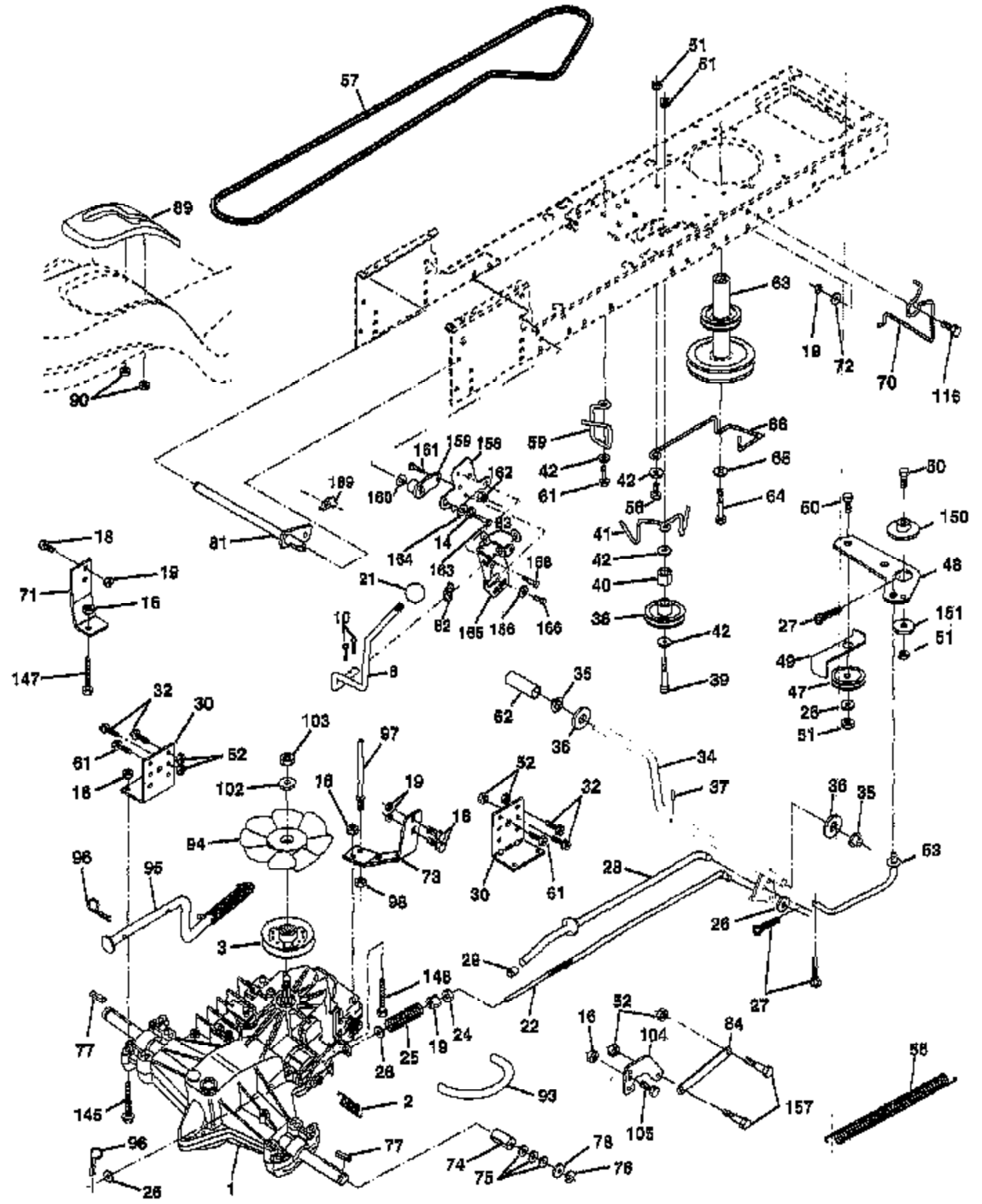
#### DECALS



Ref #	Part Number	Qty	Description
1	156811		"DEAL-OPER,INST."
2	143470		DECAL STEER WHL
3	141579		DECAL HOOD RH
4	141580		DECAL HOOD LH
5	273775		DECAL, HP ENGINE
6	141583		DECAL DECK MULCH
7	162700		DECAL.FENDER.AUTO
8	141517		DECAL DECK WIZ +
9	127520		NLA
10	157002		"DECAL DANGER,FEND"
11	150218		DECAL.LENS.WIZARD
12	162699		DECAL.SIDE PANEL
13	143349		"DECAL.CHASSIS.42"""
14	160396		"DECAL-SCHEM,BELT"
15	142341		DECAL DRAWBAR LH
18	143388		NAMEPLATE.HD.WIZA
20	145005		DECAL.BATRY.3-3908
	138311		DECAL HANDLE LIFT
	154515		"PAD-FOOTREST,LH"
	154516		"PAD-FOOTREST, RH"
	166784		MANUAL.O.9178A99.E

# TRACTOR - - MODEL NUMBER AYP9178A99

## DRIVE

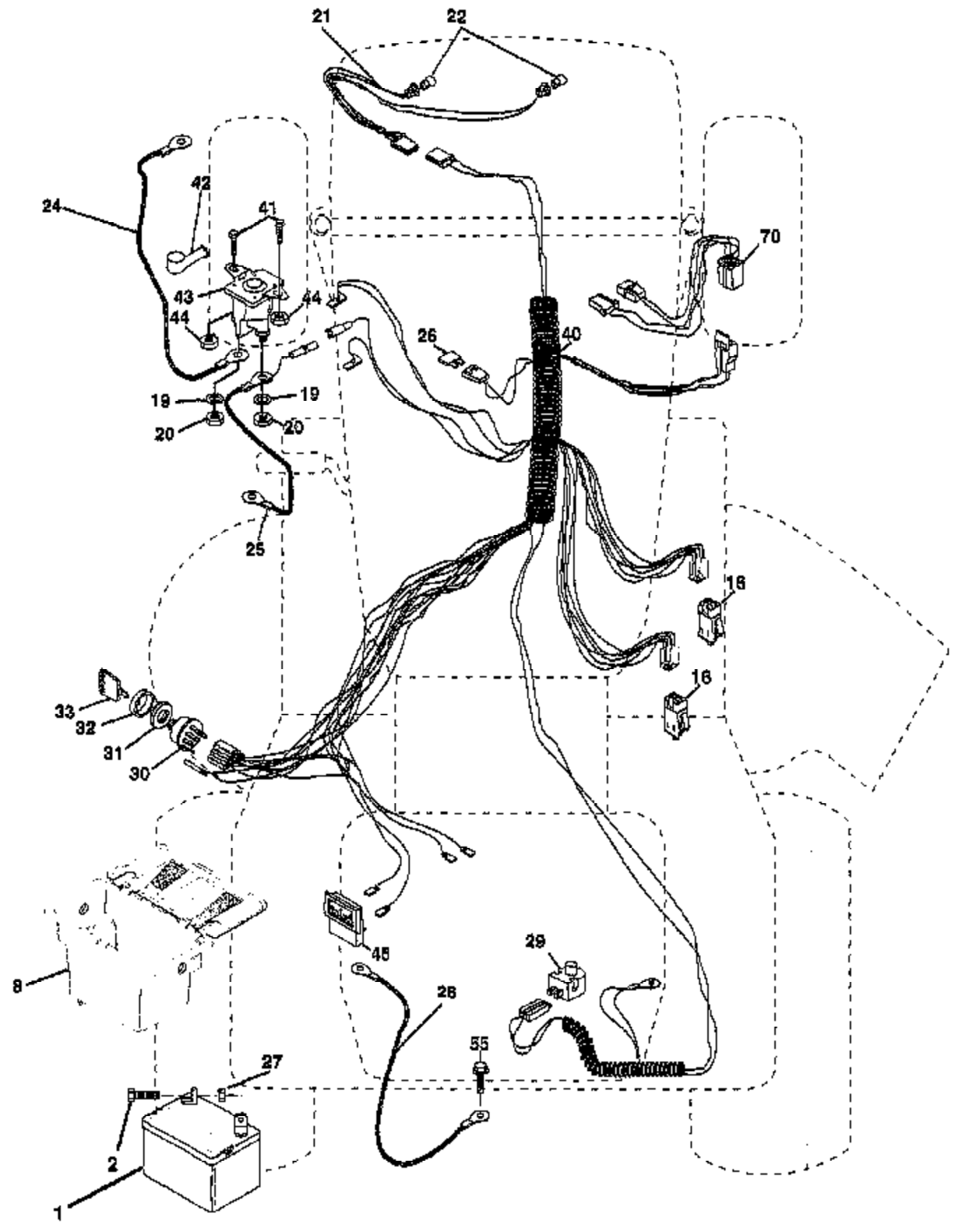


Ref #	Part Number	Qty	Description
1	PARTSIMAGE		REFER TO PARTS IMAGE
1	150071		TRANSAXLE.3100650
2	142431		SPRING RET BRAKE
3	143995		PULLEY.TRANSAXLE
8	165866		RODL.SHIFT.FEND.ADJ.STLT
10	76020416		PIN COTTER 1/8
14	10040400		LOCKWASHER
16	73800500		NUT
18	74780616		BOLT
19	73800600		NUT
21	106933X		KNOB T (1/2-HOLE)
22	145627		ROD.BRAKE.HYDRO.
24	73350600		NUT
25	106888X		SPRING ROD LT
26	19131316		WASHER
27	76020412		COTTER PIN
28	145204		ROD.BRAKE.PARK.LT
29	124236X		CAP
30	130807		TRANSAXLE MTG BKT
34	155071		SHAFT ASM-PEDAL F
35	120183X		NYLON BEARING
36	19211616		WASHER LT
37	1572H		SUB= 2882J
38	131494		FLAT IDLER PULLEY
39	74760644		BOLT
40	4470J		SPACER T
41	165838		"KEEPER,BELT.IDLER FLAT"
42	19131312		WASHER
47	127783		SUB= 139245
48	154407		BELLCRANK.CLUTCH
49	123205X		RETAIN BELT
50	74760624		SUB= 74930624
51	73680600		SUB= 73690600
52	73680500		SUB= 73690500
53	105710X		"LINK, CLUTCH T"
55	105709X		"SPRING, RETURN LT"
56	74760620		SUB= 74780620
57	140294		"BELT.GD DRV 82""
59	140312		KEEPER BELT CNTSP
61	17490612		SCREW
62	8883R		PEDAL COVER T
63	140186		PULLEY.ENGINE
64	71170764		BOLT
65	10040700		LOCKWASHER
66	154778		KEEPER-BELT
70	134683		KEEPER BELT ENG
71	140158		STRAP TORQ LH HYD
72	19132012		WASHER
73	156347		"STRAP-TORQUE,RH"
74	121199X		SPACER SPLIT
75	121749X		WASHER
76	12000001		E-RING LT
77	123583X		SQUARE KEY
78	121748X		WASHER
81	165591		SHAFT.ASM.CROSS
82	165711		SPRING.SHIFT.STLT.GREY
83	19171216		WASHER
84	165815		LINK.TRANSAXLE.LT/YT

Ref #	Part Number	Qty	Description
89	164890X428		CONSOLE.SHIFT
90	124346X		NUT
93	142564		"LINE FUEL HYD 4""
94	140462		"FAN 7"" HYDRO"
95	144643		SUB= 918144643
96	4497H		RETAINER M
97	140469		BOLT KEEPER RH
98	73510600		NUT
102	141322		WASHER BELLEVILLE
103	73940800		SUB= 73360800
104	140156		ARM CONTROL HYDRO
105	71070516		SCREW CAP 5/16-18
116	72110610		BOLT RDHD 3/8-16
145	74490540		BOLT.HEX.FLGHD
146	74490536		BOLT.HEX.FLGHD.
147	74490524		BOLT.HEX.FLGHD
150	165850		BUSHING.BELLCRANK.GRD.DR
151	19133210		WASHER
156	166002		WASHER.SRRTD.5/16
157	153236		"BOLT,SHOULDER"
158	165589		BRKT.SHIFT.MOUNT
159	165494		HUB.SHIFT
160	19292016		WASHER
161	72140406		BOLT T
162	73680400		SUB= 73690400
163	74780416		NLA
164	19091010		WASHER.5/8X.281X10GA
165	165623		BRKT.PIVOT.LEVER
166	166880		SCREW.5/16-18X5/8
168	165492		BOLT.SHOULDER.5/16-18X.561
169	165580		PLATE.FASTENING

### TRACTOR -- MODEL NUMBER AYP9178A99

### ELECTRICAL

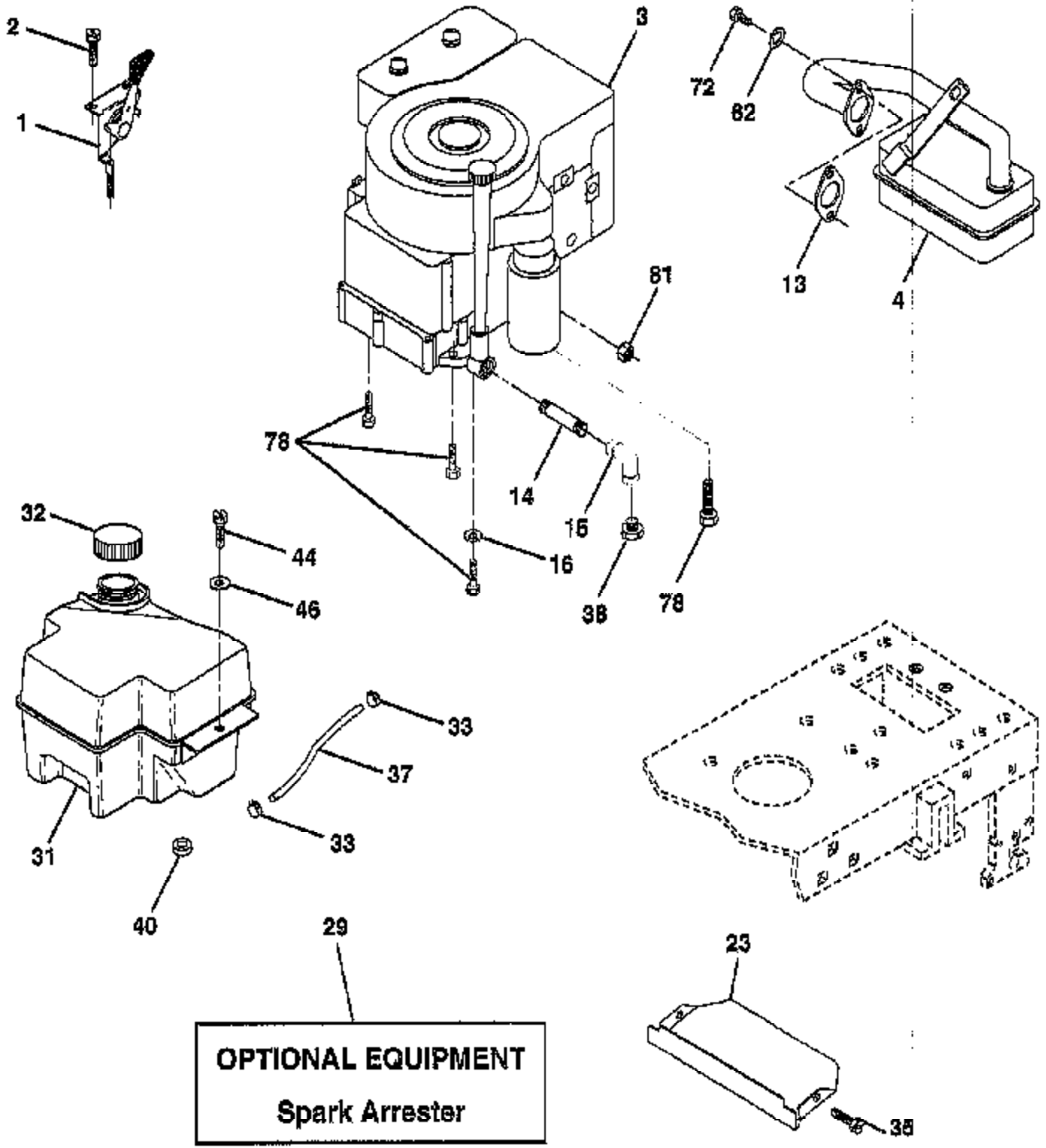


Ref #	Part Number	Qty	Description
1	163465		SUB= 123899X
2	74760412		BOLT LT
8	156417		"CASE,BATTERY.MECH"
16	153664		SWITCH INTERLOCK
19	10090400		SUB= 10040400
20	73350400		NUT
21	166181		HARNES.ASM.LIGHT W/4152J
22	4152J		HEADLAMP BULB
24	4799J		"CABLE T, BATTERY"
25	146147		CABLE.BTRY.6GA.RD
26	166180		FUSE.15 AMP
27	73510400		NUT
28	4207J		CABLE T
29	121305X		SWITCH SEAT
30	140301		SWITCH IGN 4POS
31	124211X		NUT IGNITION
32	141226		COVER KEY SWITCH
33	122147X		KEY
40	166145		HARNES.IGNITION
41	71110408		BOLT HXHD FIN
42	131563		SUB= 154336
43	145673		SUB= 146154
44	73640400		NUT HXKEP 1/4X20
45	121433X		SUB= 122822X
52	141940		PROTECTION LOOP
55	17490508		SCREW LT
70	166659		HARNES.ENGINE.B&S



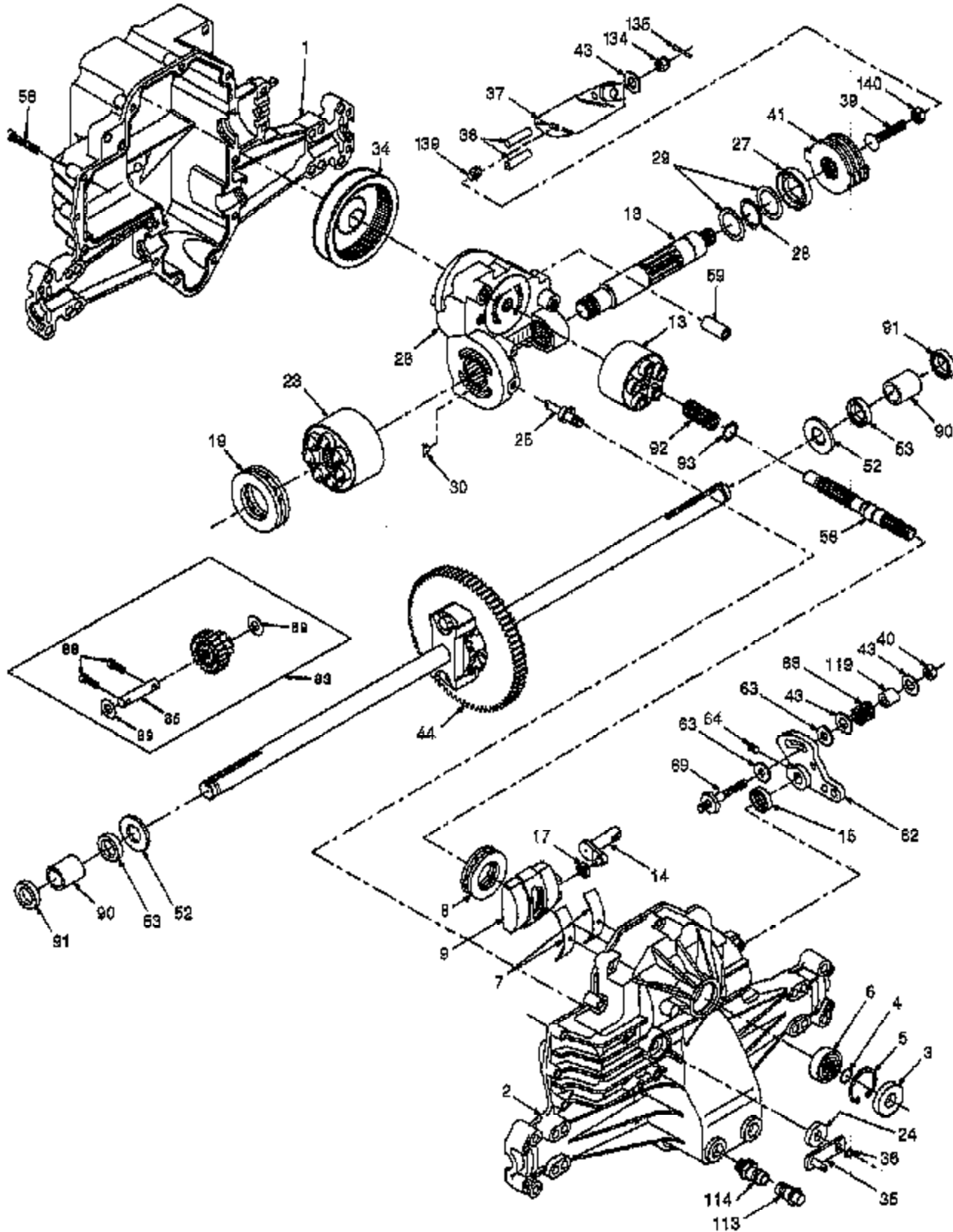
# TRACTOR - - MODEL NUMBER AYP9178A99

## ENGINE



Ref #	Part Number	Qty	Description
1	140310		CONTROL THROTTLE
2	17720410		SCREW LT
3	PARTSIMAGE		REFER TO PARTS IMAGE
3	SUPPLIER		CHECK WITH SUPPLIER
4	137352		MUFFLER
13	272293		GASKET ENG 1 313 LD TIN PLATED
14	13280324		PIPE NIPPLE
15	13200300		ELBOW
16	11050600		LOCKWASHER
23	159880		SHIELD.BRN/DBR.GD
29	137180		SUB= 532137180
31	161911		TANK.FUEL.FRONT.
32	140527		CAP ASM FUEL
33	123487X		HOSE CLAMP
35	17490512		SCREW
37	137040		LINE FUEL
38	SUPPLIER		CHECK WITH SUPPLIER
40	124028X		SUB= 532124028
44	17490412		SCREW HEX CRT
46	19091416		WASHER
62	10040500		LOCKWASHER
72	71070512		SCREW
78	17490620		SCREW
81	128861		NUT

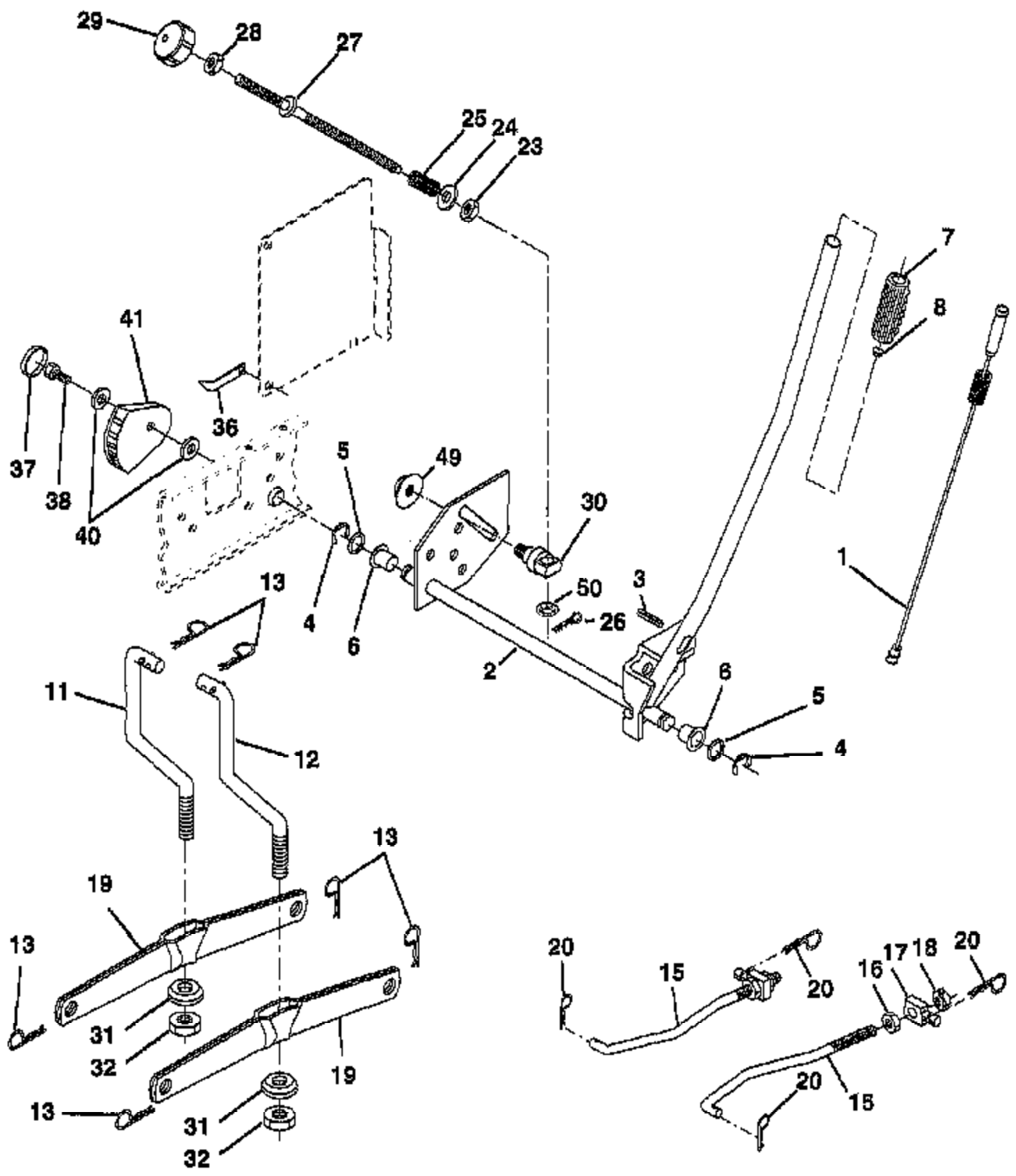
**TRACTOR - - MODEL NUMBER AYP9178A99**  
**HYDRO TRANSAXLE - MODEL NUMBER 310-0650**



Ref #	Part Number	Qty	Description
1	142930		HOUSING.L.50074RM
2	142931		HOUSING.UP.70125
3	142932		SEAL.9008000-0128
4	142928		RING.RET.2003016.
5	142933		RING.RET.2003052.
6	142934		BEARING.(50552)42X68X16
7	142935		CRADLE- 2003023.
8	150771		BEARING.THU.50551
9	142937		SWASHPLT.2003087.
13	142938		BLOCK.CLYN.70079.
14	142939		ARM.TRUN.2003005.
15	142940		SEAL.9008000-0126
17	142941		GUIDE.2000015.
18	150772		SHAFT.MOTOR.50449
19	150773		BEARING.THU.50552
23	142944		BLOCK.CYLIN.70082
24	142945		SEAL.LIP.45074
25	142946		ACTUATOR.2003555
26	150774		KIT.CEN.SEC.70250
27	142948		SEAL.LIP.45075
28	142949		RING RETAIN 50007
29	142950		WASHER.44872
30	150787		PLATE.BYP.2003554
34	142951		ELEMENT.OIL.44964
35	142952		ARM.BYPASS.50270
36	142953		RING.RETAIN.44870
37	142954		ARM.ACTUAT.23710
38	142955		PIN.ACTUAT.44891
39	150777		BOLT.50316
40	150778		NUT.LOCK.HX.50317
41	142958		KIT.BRAKE.70135
43	142884		WASHER HYD 44130
44	150829		DIFFRENTIAL.70226
52	142991		WASHER.HYD.44875
53	142961		SEAL.HYDRO.45076
56	142963		SHAFT.INPUT.50005
58	142964		BOLT.1/4-20.44876
59	142965		PIN.HYDRO.50002
62	142966		ARM.CONTROL.50254
63	142967		PUCK.DAMPER.50281
64	142920		SCREW.SET.50018.
68	142969		SPRING.HYD.50277
69	144610		STUD.5/16-24.DANA
83	142971		JACKSHAFT/PINION GEAR.70132
85	150806		PIN.SHAFT 50559
88	142973		SCREW.CAP.50154.
89	142974		WASHER.HYD.50132
90	142975		BEARING.SLV.50118
91	142976		SEAL.WIPER.50941
92	142977		SPRING.2003014.
93	142978		WASHER.2003017
113	142917		CAP.VENT.70109
114	142918		O-RING.ASM.70110
119	142980		SPACER.HYD.50278
134	144607		NUT.CAS.HYD.44142
135	144608		PIN.COT.HYD.44101
139	150775		SPRING.COMP.50431
140	150776		NUT.HEX.50269

# TRACTOR -- MODEL NUMBER AYP9178A99

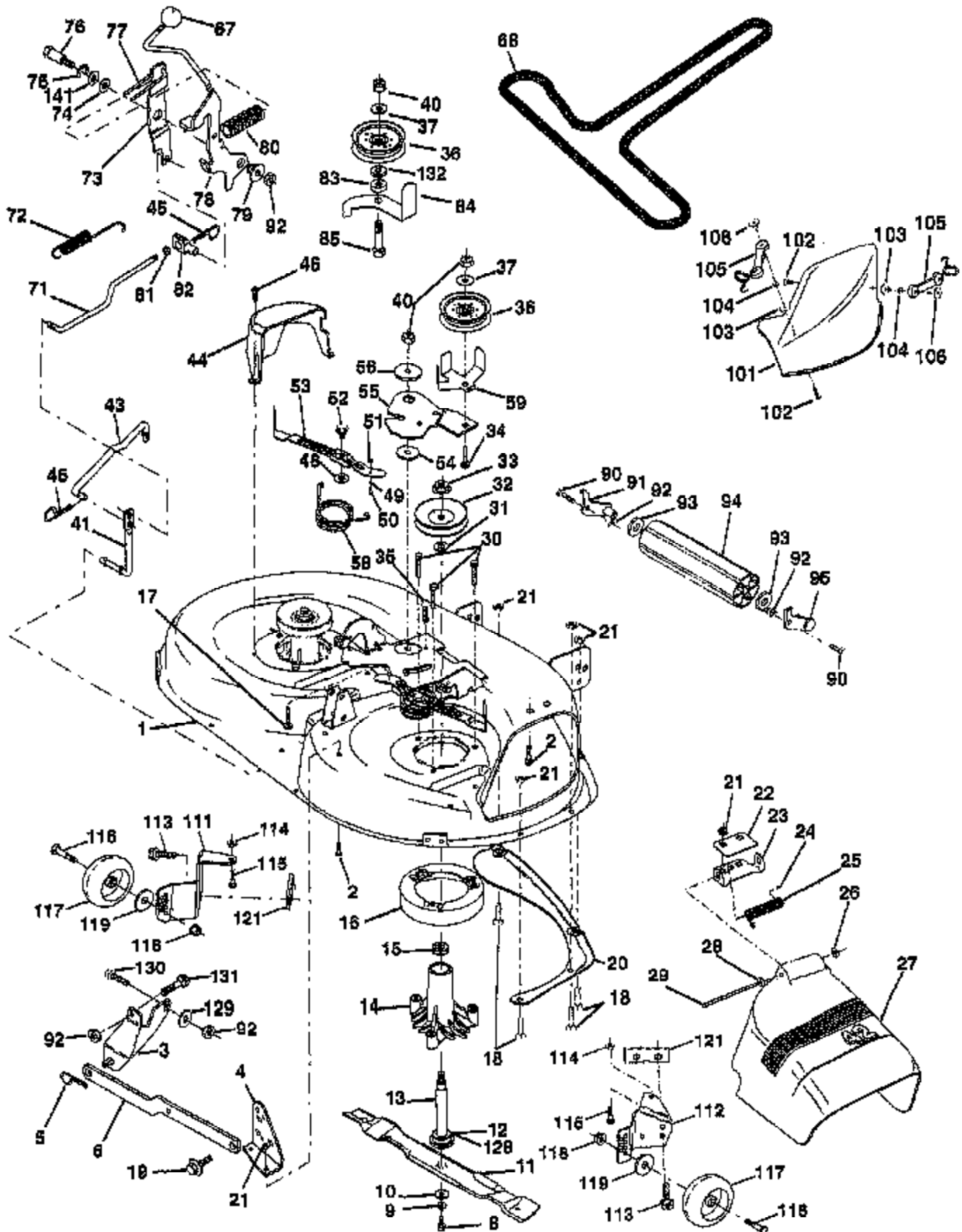
## LIFT



Ref #	Part Number	Qty	Description
1	159460		WIRE ASM W.SPRING
2	159471		"SHAFT ASM LIFT,RH"
3	105767X		PIN-GROOVE LT
4	12000002		SUB= 2225J
5	19211621		WASHER
6	120183X		NYLON BEARING
7	125631X		GRIP HANDLE
8	122365X		SUB= 125925X
11	139865		SUB= 918139865
12	139866		SUB= 151140
13	4939M		SUB= 85902
15	127218		LINK.FRONT
16	73350800		NUT
17	130171		TRUNION
18	73680800		NUT LTV
19	139868		ARM SUSP REAR
20	163552		RETAINER SPRING
23	110807X		NUT T
24	19131016		WASHER
25	2876H		SPRING T
26	76020308		SUB= 3145
27	126971X		SUB= 532126971
28	73350600		NUT
29	138057		KNOB INF 3/8-16
30	150233		TRUNNION
31	140302		BEARING PVT LH
32	73540600		NUT.CROWNLOCK.3/8
36	155097		POINTER-INDICAT
37	123935X		"PLUG,HOLE"
38	17490512		SCREW
40	19112410		WASHER
41	155098		INDICATOR HEIGHT
49	145212		NUT.HXFLG.LOCK.
50	110452X		NUT PUSH M

### TRACTOR - - MODEL NUMBER AYP9178A99

#### MOWER DECK



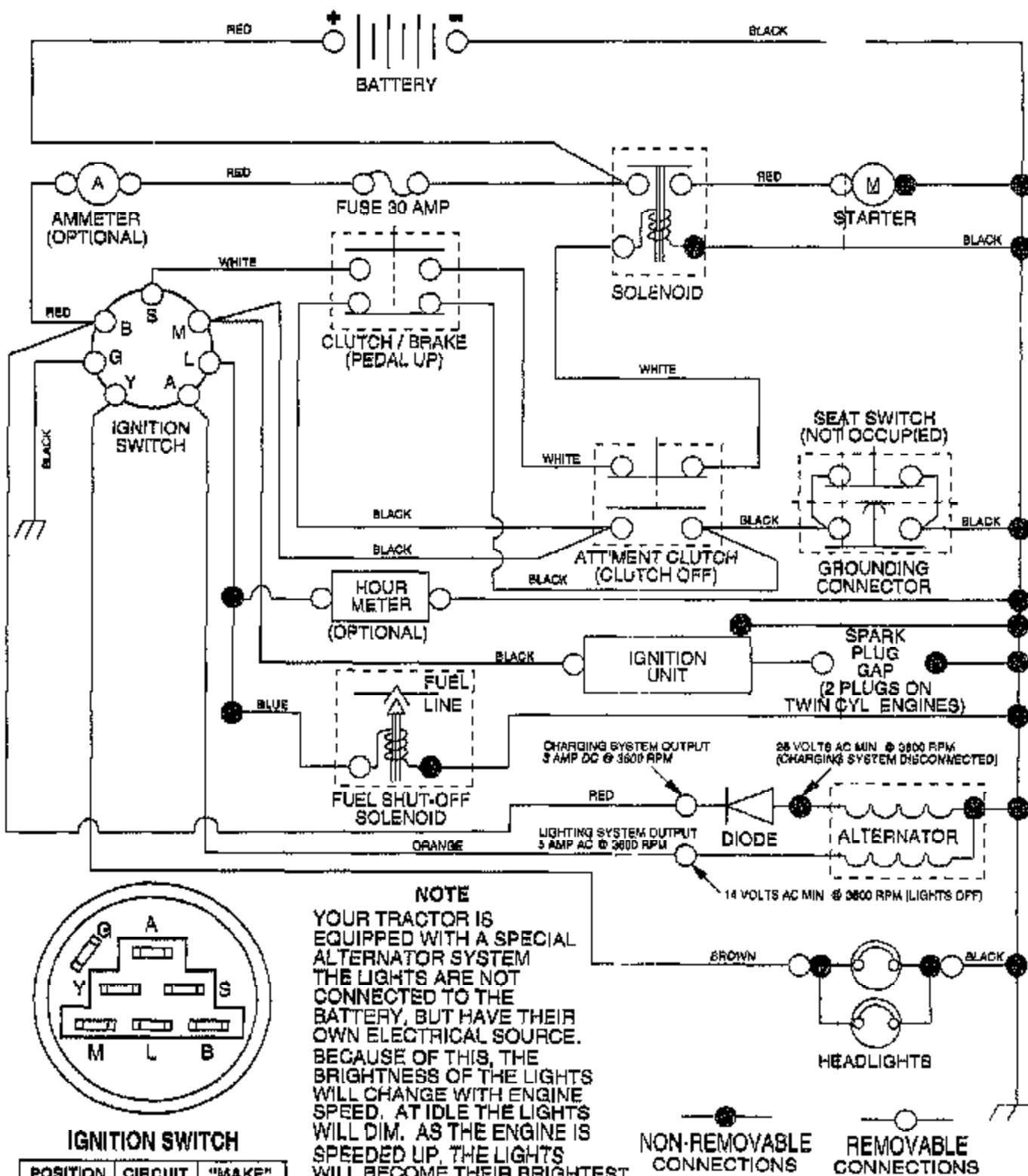
Ref #	Part Number	Qty	Description
1	164961		"HOUSING ASSY.42""
2	72140506		BOLT
3	138017		BRKT ASM SWAY BAR
4	138440		BRKT DECK SW BAR
5	4939M		SUB= 85902
6	130832		SUB= 130833
8	850857		BLADE BOLT
9	10030600		SUB= 10040600
10	140296		WASHER.HARD.BLADE
11	134149		"BLADE.42"" MULCHER"
12	129895		BEARING.BALL
13	137645		SUB= 137646
14	128774		HSG ASM MANDREL
15	110485X		BEARING
16	140329		STRIPPER RND MWR
17	72110610		BOLT RDHD 3/8-16
18	72140505		BOLT
19	132827		BOLT SHD 5/16-18
20	159770		BAFFLE VORTEX 42
21	73680500		SUB= 73690500
23	131267		DEFLECTOR BRKT
24	105304X		CAP-SLEEVE LT
25	123713X		SPRING TORSION
26	110452X		NUT PUSH M
27	130968		DEFLECTOR.SHIELD
28	19111016		WASHER
29	131491		HINGE ROD
30	157722		"SCREW-THD ROLL,WA"
31	129963		WASHER
32	153535		PULLEY.MANDREL.42
33	137266		SUB= 139729
34	72110614		BOLT
35	133835		XMAS TREE FASTNER
36	131494		FLAT IDLER PULLEY
37	19131316		WASHER
40	73680600		SUB= 73690600
41	133551		PIVOT ROD
43	140083		ROD CLUTCH W/NIBS
44	140088		GUARD MAND LH BLK
45	4497H		RETAINER M
46	137729		SCREW.1/4-20X5/8
48	133944		HARD SMALL WASHER
49	155066		ROLLER ASM-CAM
50	131340		SHOULDER BOLT
51	69180		LOCKNUT
52	139888		BOLT.SHLD.5/16-18
53	131845		BRAKE PAD ARM ASM
54	133943		HARDENED WASHER
55	155046		ARM-IDLER
56	122052X		SPACER RETAINER
58	140086		SPRING TORSN BRAK
59	141043		GUARD IDLER TUV
67	162132		KNOB.RD.7/16-14
68	144200		BELT.V.T-PATH
71	142427		ROD CLUTCH 38/42
72	131870		RETURN SPRING
73	127847		CLUTCH ARM SECOND
74	121748X		WASHER



Ref #	Part Number	Qty	Description
75	12000029		RING
76	128903		SHOULDER BOLT
77	127845		SPRING KEEPER
78	160570		LEVER.ASM.CLUTCH
79	127498		BUSHING
80	153701		SPRING.CLUTCH.MWR
81	73350600		NUT
82	142028		TRUNION ADJ
83	120958X		WASHER
84	156084		"KEEPER-BELT,FIXED"
85	72140620		BOLT
90	74760616		BOLT
91	132274		SUB= 532132274
92	73800600		NUT
93	19171416		WASHER
94	132264		SUB= 532132264
95	132273		SUB= 532132273
101	136420		"COVER.MULCH.42""
102	71161010		SCREW
103	19061216		WASHER #10
104	10071000		LOCKWASHER
105	160793		LATCH ASSY.BAGGER
106	2029J		WELDNUT
111	155197		BRACKET.GWHL.LH.
112	155198		BRACKET.GWHL.RH.
113	17490512		SCREW
114	73510500		NUT
115	72110504		SUB= 872110504
116	137644		BOLT.SHOULDER
117	133957		WHEEL GAGE DONUT
118	73930600		LOCKNUT
119	19121414		WASHER
121	143723		BRACKET.EXTRD.GWL
128	153390		WASHER.FELT.
129	19131312		WASHER
130	74780616		BOLT
131	72140608		SUB= 72110608
132	19132203		WASHER GT
141	6266H		WASHER .T
	130794		MANDREL ASM
	164963		MOWER.DECK.COMPLETE

# TRACTOR - - MODEL NUMBER AYP7178A99

## SCHEMATIC



---

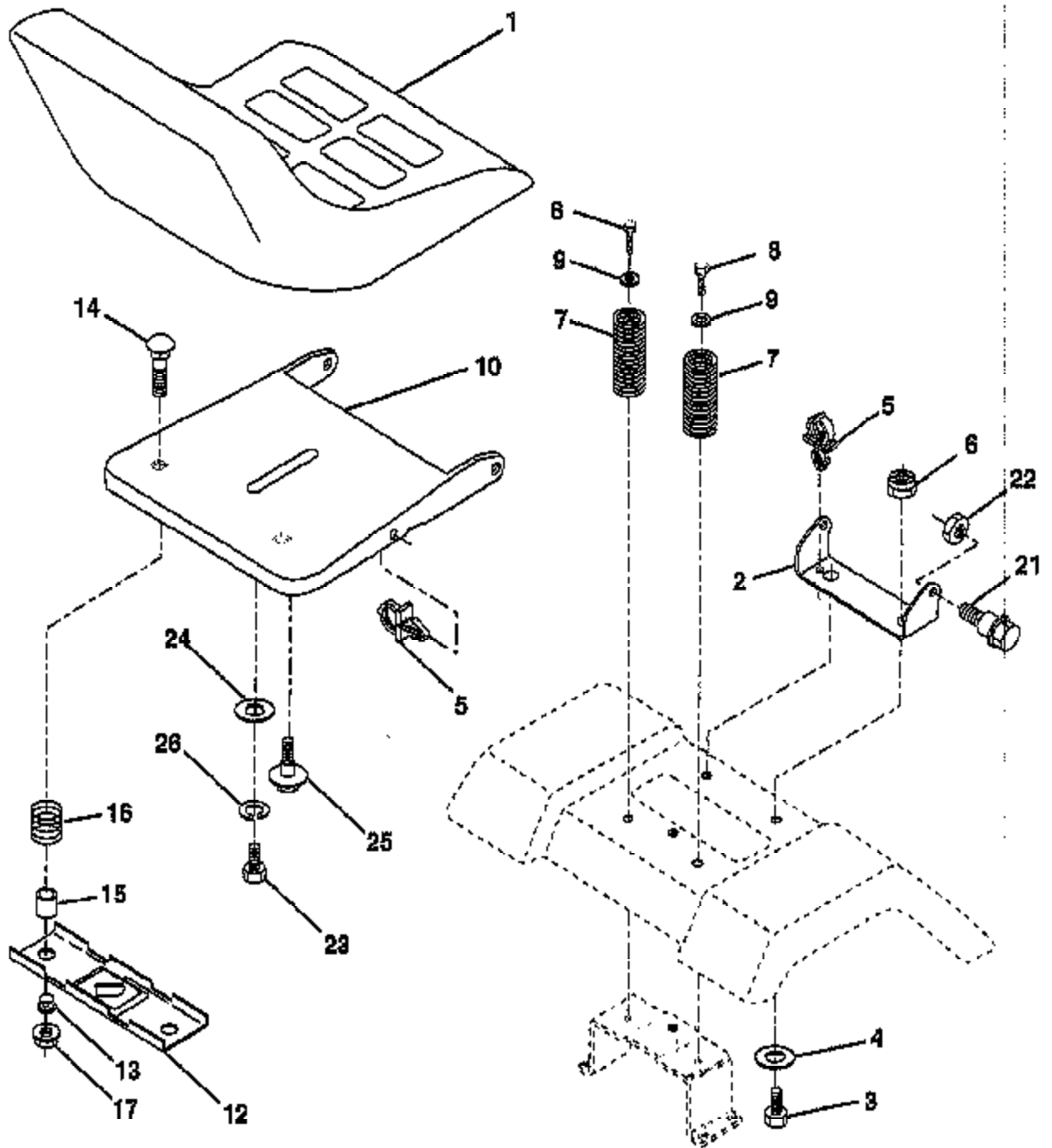
Ref #	Part Number	Qty	Description
	REFER		REFER TO IMAGE

---

# TRACTOR - - MODEL NUMBER AYP9178A99

## SEAT ASSEMBLY

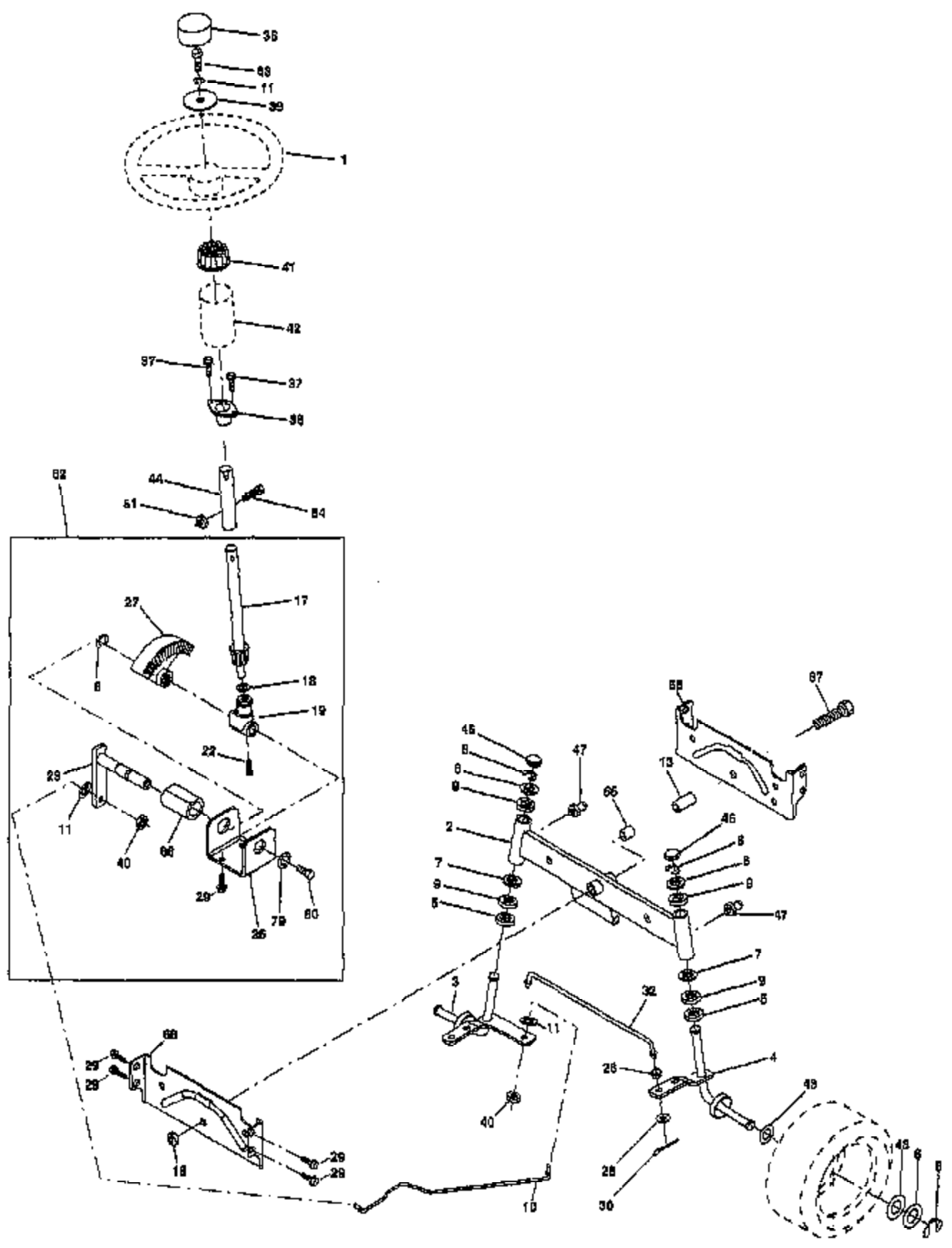
NOTE: All component dimensions given in U.S. inches  
1 inch = 25.4 mm



Ref #	Part Number	Qty	Description
1	140117		SEAT.2400/1416.BK
2	140551		BRACKET PVT SEAT
3	74760616		BOLT
4	19131610		WASHER PM
5	145006		CLIP.PUSH-IN.HING
6	73800600		NUT
7	124181X		SPRING COMPRESSIO
8	17490616		SCREW GTV
9	19131614		WASHER
10	155925		PAN-SEAT
12	121246X		BRKT SWITCH
13	121248X		BUSHING
14	72050412		BOLT-RD HD SQ NK
15	134300		SPLIT SPACER
16	121250X		SPRING
17	123976X		SUB= 73900400
21	153236		"BOLT,SHOULDER"
22	73800500		NUT
23	74780814		BOLT
24	19171912		WASHER
25	127018X		"BOLT,SHOULDER"
26	10040800		LOCKWASHER

# TRACTOR - - MODEL NUMBER AYP9178A99

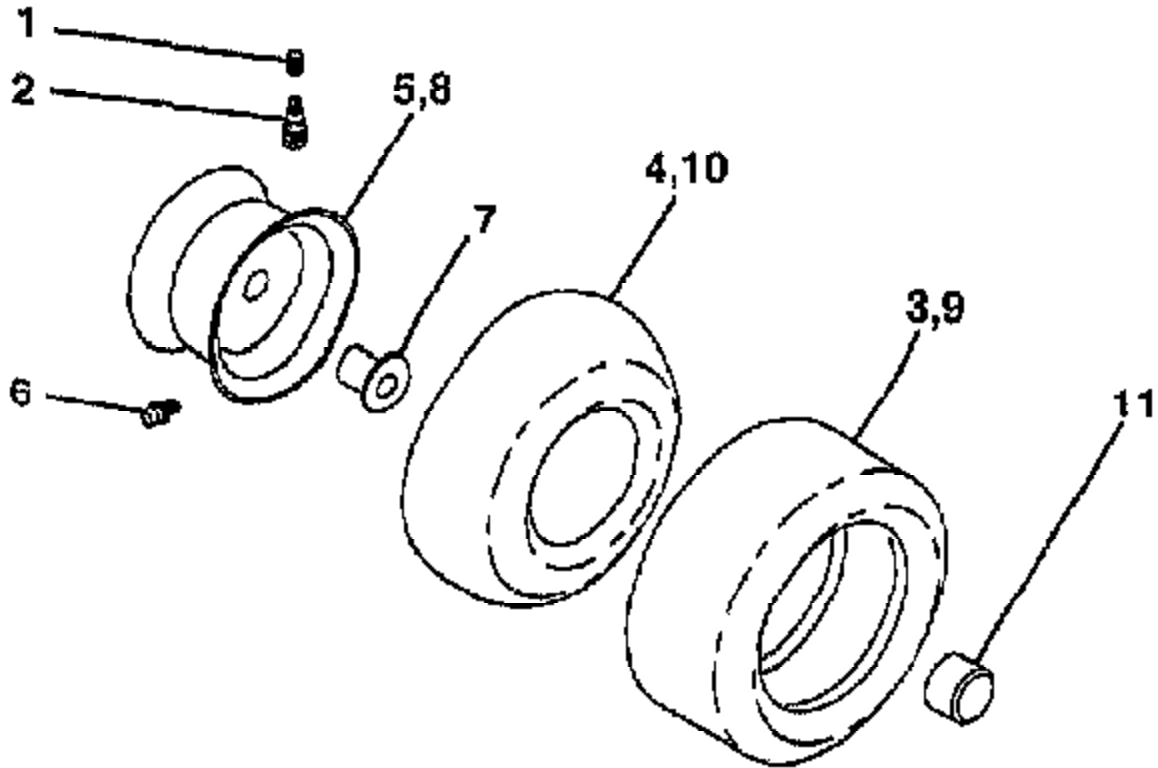
## STEERING ASSEMBLY



Ref #	Part Number	Qty	Description
1	140044		WHEEL STR AYP BLK
2	154427		AXLE ASM
3	156483		SPINDLE.ASM.LH
4	157473		"SPINDLE ASM,RH"
5	6266H		WASHER .T
6	121748X		WASHER
7	19272016		WASHER
8	12000029		RING
9	3366R		COL. SRTG. BEAR.
10	156438		DRAGLINK-STAMPED
11	10040600		LOCKWASHER
13	154779		BEARING AXLE
15	73901000		"NUT-LOC,FLANGE LT"
17	156546		SHAFT ASM STEERIN
18	57079		THRUST WASHER
19	160395		SUPPORT.SHAFT.STEER
22	165857		SCREW.HX.WSH.HD
23	165851		SHAFT.ASM.PITMAN
25	154406		BRKT-STEERING
26	126847X		BUSHING.DRAGLINK
27	136874		GEAR SECTOR
28	19131416		WASHER
29	17490612		SCREW
30	76020412		COTTER PIN
32	130465		TIE ROD
36	155099		BUSHING.STEERING
37	152927		"SCREW-TT,10-32 FL"
38	140045		CAP STEER AYP
39	19133808		WASHER T
40	7810H		GRIPCO NUT
41	100711L		ADAPTER LT
42	145054		BOOT.STEER.PL
43	121749X		WASHER
44	153720		EXT SHAFT STEERIN
46	121232X		CAP
47	6855M		ZERK M
51	73800500		NUT
54	74780520		BOLT
62	167902		KIT.STEER.ASM
63	74780616		BOLT
65	154780		SPACER AXLE
66	154404		"BEARING-ARM,PITMA"
67	74781044		BOLT
68	154429		BRACE AXLE
79	19132012		WASHER
80	74950612		BOLT.HX.NYLON3/8-16X3/

# TRACTOR - - MODEL NUMBER AYP9178A99

## WHEELS AND TIRES



**NOTE:** All component dimensions given in U.S. inches  
1 inch = 25.4 mm



Ref #	Part Number	Qty	Description
1	59192		VALVE CAP
2	65139		VALVE STEM LT
3	106222X		SUB= 122073X
4	59904		TUBE.5.3/4.5/6
5	106732X427		"RIM ASM 6"" FRT"
6	278H		FITTING LT
7	9040H		"FLANGE, BEARING"
8	106108X427		"RIM AS 8"" REAR"
9	122082X		SUB= 918122082X
10	7152J		TUBE.18X9.5-8
11	104757X		HUB CAP
	144334		SEALANT.TIRE 10 OZ. TUBE