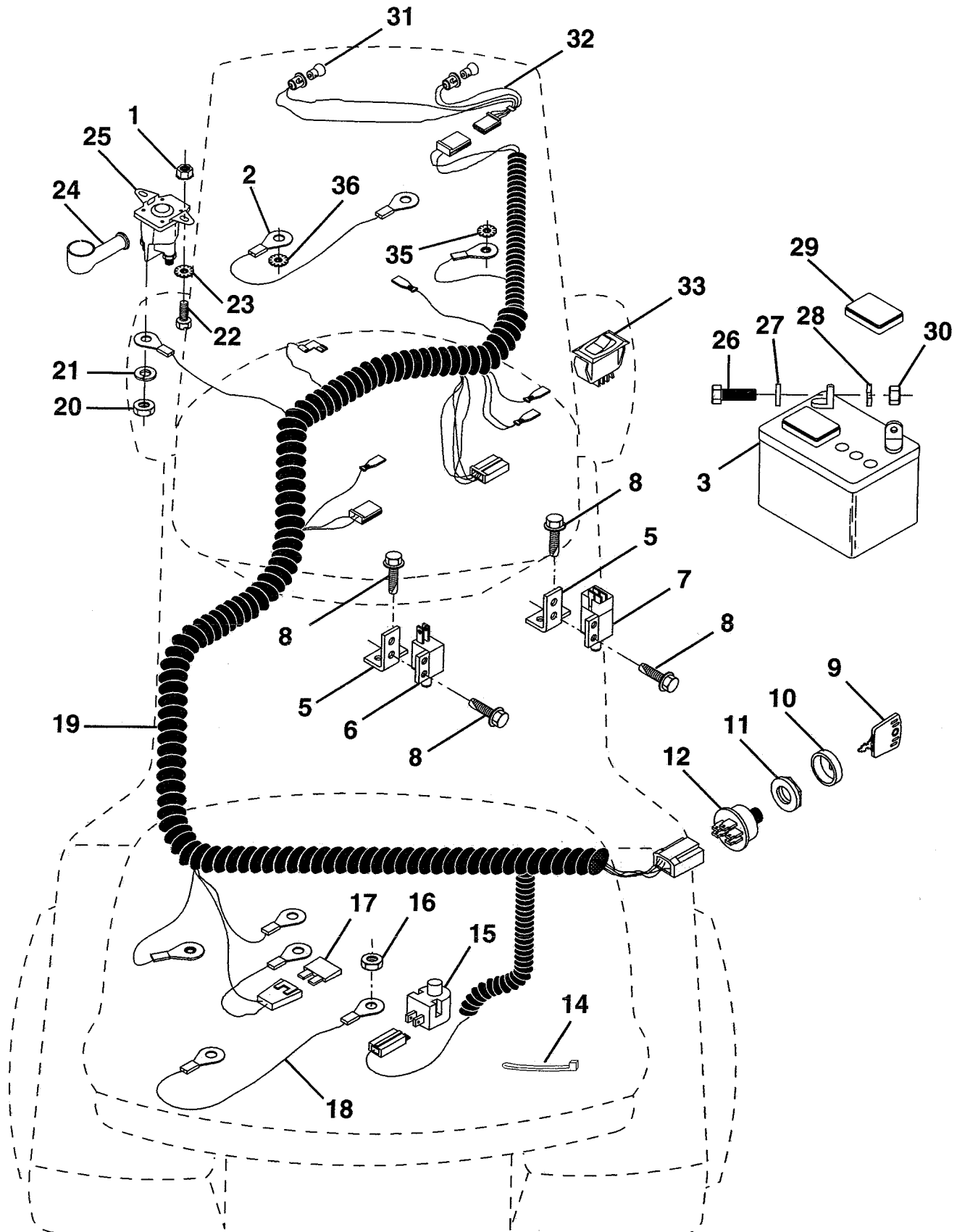


# REPAIR PARTS

12.5 HP 38" TRACTOR -- MODEL NUMBER 6H2A9A

## ELECTRICAL



# REPAIR PARTS

## 12.5 HP 38" TRACTOR - - MODEL NUMBER 6H2A9A

### ELECTRICAL

KEY PART NO. NO.	DESCRIPTION
1 73510400	Nut, Hex, Keps 1/4-20 UNC
2 108423X	Assembly, Cable
3 133909	Battery
5 108236X	Bracket, Switch
6 104445X	Switch, Interlock
7 109553X	Switch, Interlock
8 17021008	Screw, Hex Head, Tapping #10-24 x 1/2
9 122147X	Key, Molded
10 123620X	Cover, Key, Ignition
11 124211X	Nut, Ignition
12 4406R	Switch, Ignition
14 7192J	Tie, Cable
15 121305X	Switch, Plunger
16 73510500	Nut, Keps 5/16-18
17 108824X	Fuse
18 128353	Assembly, Cable
19 132222	Harness, Ignition
20 73350400	Nut, Hex, Jam 1/4-20
21 10090400	Washer, Lock 1/4
22 74780408	Bolt, Hex 1/4-20 x 12 Grade 5
23 11050400	Washer, Lock, External Tooth 1/4
24 131563	Cover, Terminal
25 138406	Solenoid
26 74760412	Bolt, Hex Head 1/4-20 UNC x 3/4
27 19091016	Washer 9/32 x 5/8 x 16 Gauge
28 10040400	Washer, Lock, Hvy. Hel. Spring 1/4
29 121264X	Cap, Battery
30 73220400	Nut, Hex, Fin 1/4-20
31 7662J	Bulb
32 136849	Harness, Light Socket
33 110712X	Switch, Light
35 11050600	Washer, Lock Ext. Tooth 3/8
36 11150400	Washer, Lock Int. Tooth 1/4

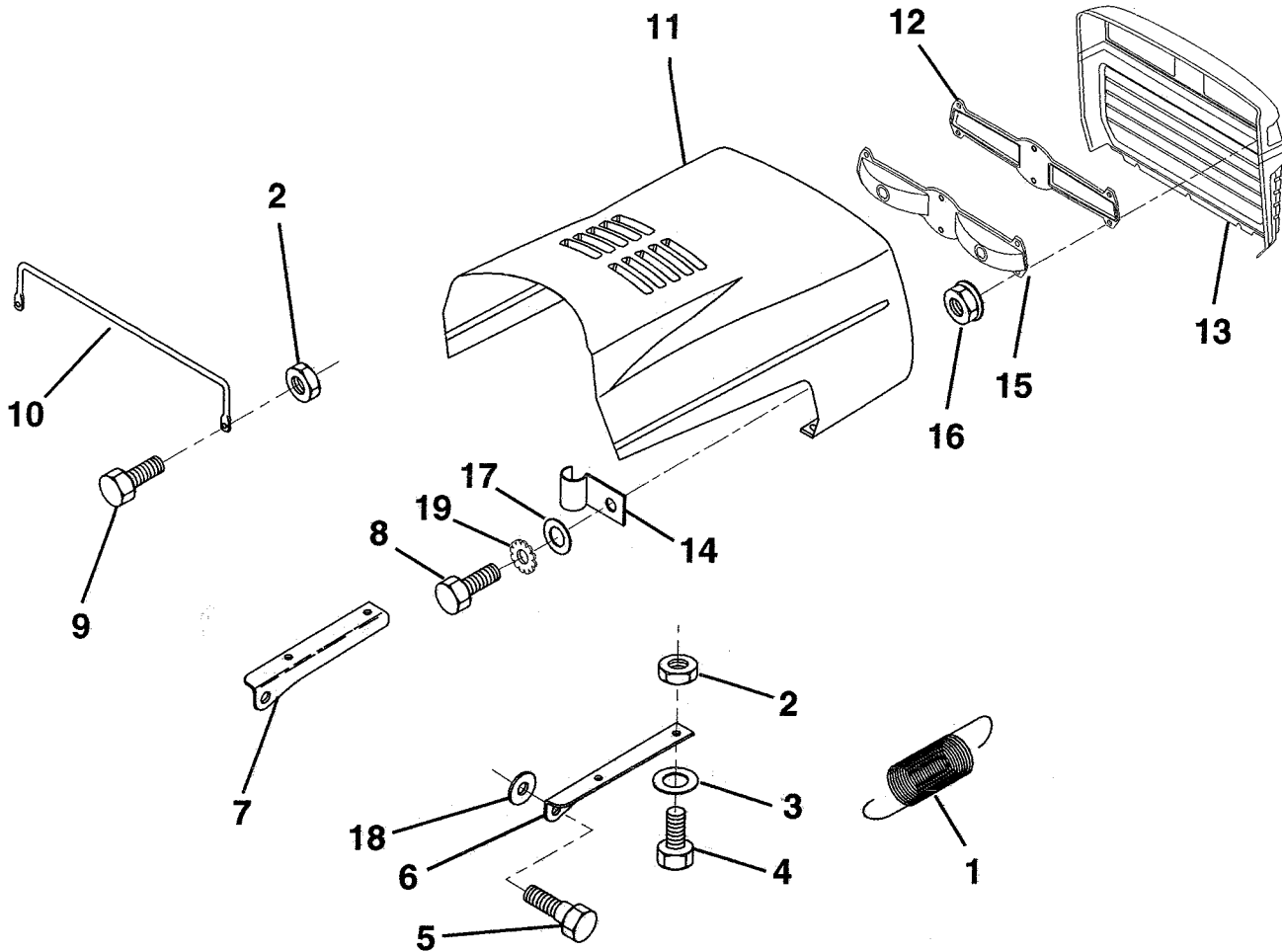
**NOTE:** All component dimensions given in U.S. inches  
1 inch = 25.4 mm

HARDWARE SHOWN LARGER FOR EASIER IDENTIFICATION

# REPAIR PARTS

## 12.5 HP 38" TRACTOR -- MODEL NUMBER 6H2A9A

### HOOD



**KEY PART  
NO. NO.**

**DESCRIPTION**

1	124657X	Spring, Extension
2	73510400	Nut, Hex, Keps 1/4-20 UNC
3	19091016	Washer 9/32 x 5/8 x 16 Gauge
4	74780410	Bolt, Hex, Fin 1/4-20 UNC x 5/8 Grade 5
5	126675X	Bolt, Shoulder
6	122549X	Bracket, Hood, RH
7	122548X	Bracket, Hood, LH
8	17411310	Screw, Hex, Fin #13-16 Hi-Lo x 5/8

**KEY PART  
NO. NO.**

**DESCRIPTION**

9	74780412	Bolt, Hex, Fin 1/4-20 x 3/4 Grade 5
10	123693X	Brace, Hood
11	132918X505	Hood
12	127178	Lens
13	134232X428	Grill
14	2751R	Clip, Fuel Line
15	127177X	Light Box
16	124346X	Nut, Self Thd Wsh Hd. 1/4
17	19091016	Washer 9/32 x 5/8 x 16 Ga.
18	19111116	Washer 11/32 x 11/16 x 16 Ga.
19	11030400	Washer Lock 1/4 Int./Ext. Tooth

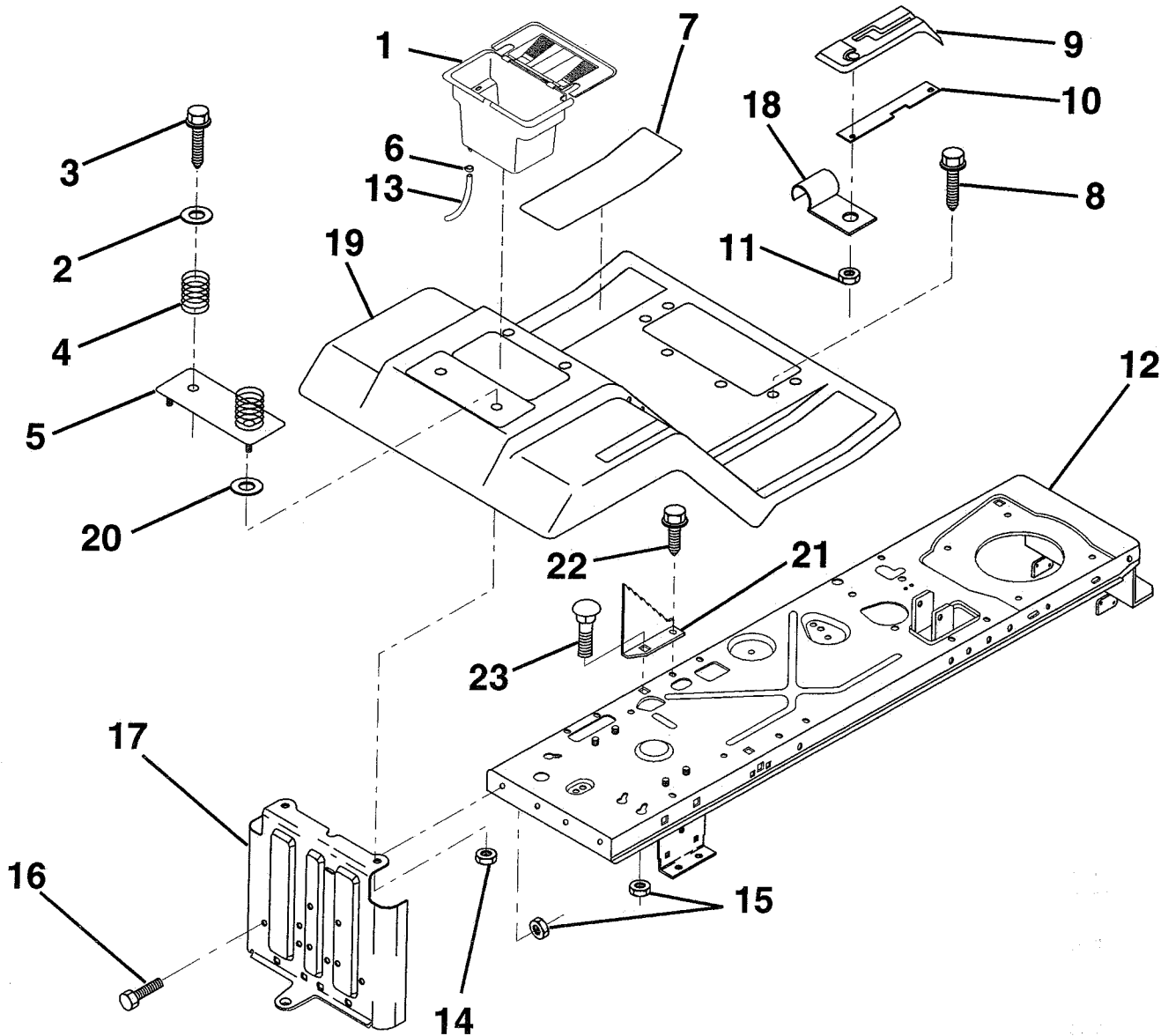
**NOTE:** All component dimensions given in U.S. inches  
1 inch = 25.4 mm

**HARDWARE SHOWN LARGER FOR EASIER IDENTIFICATION**

# REPAIR PARTS

12.5 HP 38" TRACTOR -- MODEL NUMBER 6H2A9A

## FENDER / CHASSIS



### KEY PART NO. NO.

### DESCRIPTION

1	129965	Case, Battery
2	19132012	Washer 13/32 x 1-1/4 x 12 Gauge
3	17490612	Screw, Hex Washer Head, Thd. Roll. 3/8-16 x 3/4
4	124181X	Spring, Compression, Seat
5	127115X505	Plate, Fender
6	109596X	Clamp, Hose
7	124144X	Pad, Footrest
8	17490512	Screw, Hex Washer Head, Thd. Roll. 5/16-18 x 3/4
9	126995X	Console, Shift Control
10	124307X	Bar, Shift Lock
11	124346X	Nut, Self-Threading 3/16
12	137097	Assembly, Frame

### KEY PART NO. NO.

### DESCRIPTION

13	109238X	Tube, Battery Drain
14	73510400	Nut, Hex, Keps 1/4-20
15	73680500	Nut, Crownlock 5/16-18
16	74760512	Bolt, Hex 5/16-18 UNC x 3/4
17	127880	Drawbar
18	126470X	Clip, Insulated
19	132650X505	Fender/Footrest
20	19091413	Washer 9/32 x 7/8 x 13 Gauge
21	132562	Plate, Depth Stop
22	17490508	Screw, Thd. Roll. 5/16-18 x 1/2
23	72110506	Bolt, Carriage 5/16-18 x 3/4

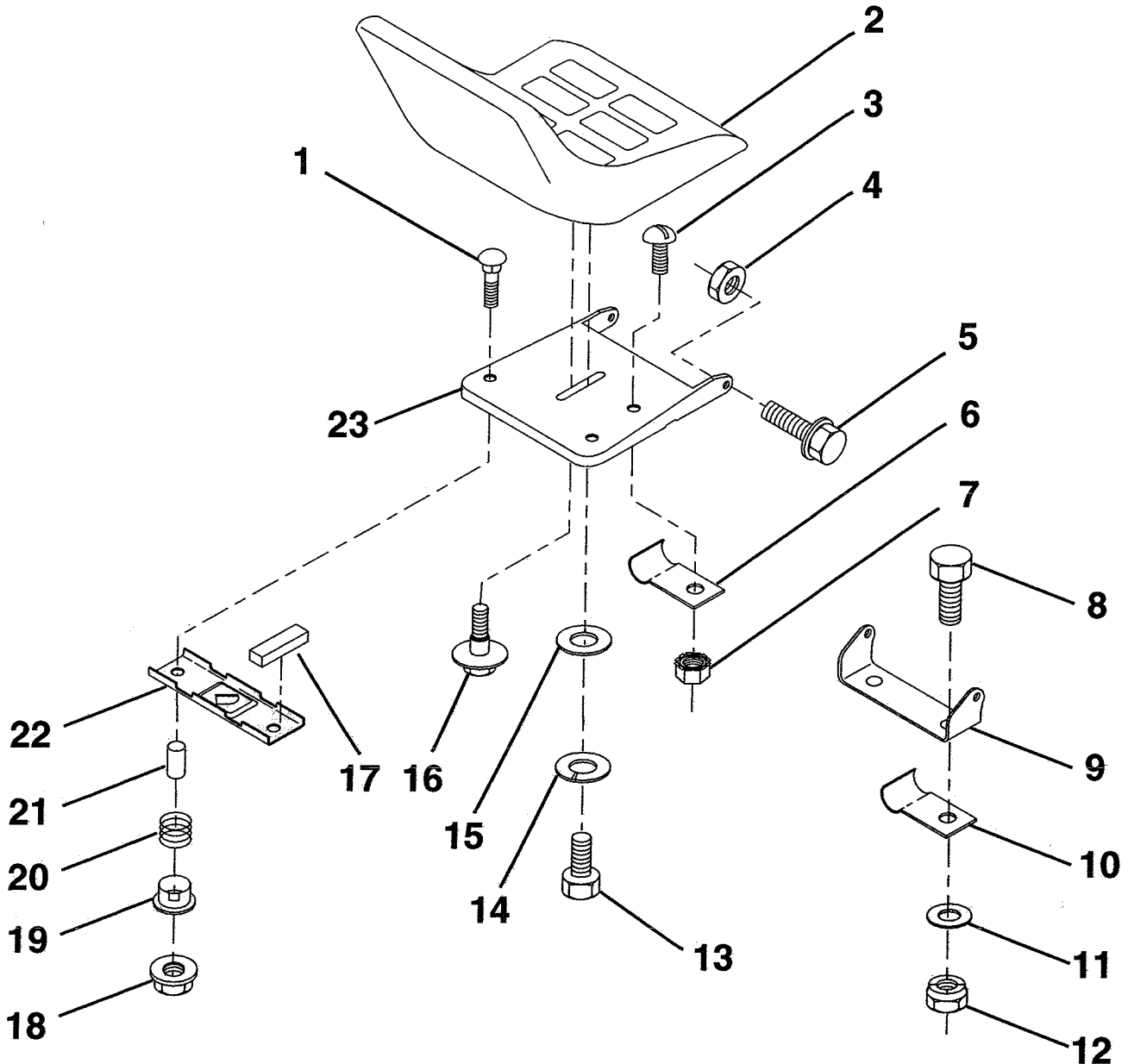
**NOTE:** All component dimensions given in U.S. inches  
1 inch = 25.4 mm

HARDWARE SHOWN LARGER FOR EASIER IDENTIFICATION

# REPAIR PARTS

## 12.5 HP 38" TRACTOR - - MODEL NUMBER 6H2A9A

### SEAT



KEY PART NO.	NO.	DESCRIPTION
1	72050411	Bolt, Carriage 1/4-20 x 1-3/8
2	127427	Seat
3	74641008	Screw, Slotted Pan Head #10-32 x 1/2
4	73680500	Nut, Crownlock 5/16-18
5	105529X	Bolt, Shoulder 5/16-18 UNC
6	4171R	Clip, Insulated
7	73951000	Nut, Keps #10-32 UNF
8	74760612	Bolt, Hex, Fin 3/8-16 UNC x 3/4
9	126656X	Bracket, Pivot, Seat
10	126471X	Clip, Insulated
11	19133210	Washer 13/32 x 2 x 10 Gauge
12	73680600	Nut, Crownlock 3/8-16 UNC

KEY PART NO.	NO.	DESCRIPTION
13	74780814	Bolt, Hex, Fin 1/2-13 x 7/8 Gr. 5
14	10040800	Washer, Lock Hvy. Helical Spring 1/2
15	19171912	Washer 17/32 x 1-3/16 x 12 Gauge
16	127018X	Bolt, Shoulder
17	121251X	Strip, Foam
18	123976X	Locknut, Hex, Large, Flange
19	121248X	Bushing, Snap
20	121250X	Spring, Compression
21	134300	Spacer, Split, Large .28 Id. x .96
22	121246X	Bracket, Switch, Mounting
23	131451	Pan, Seat

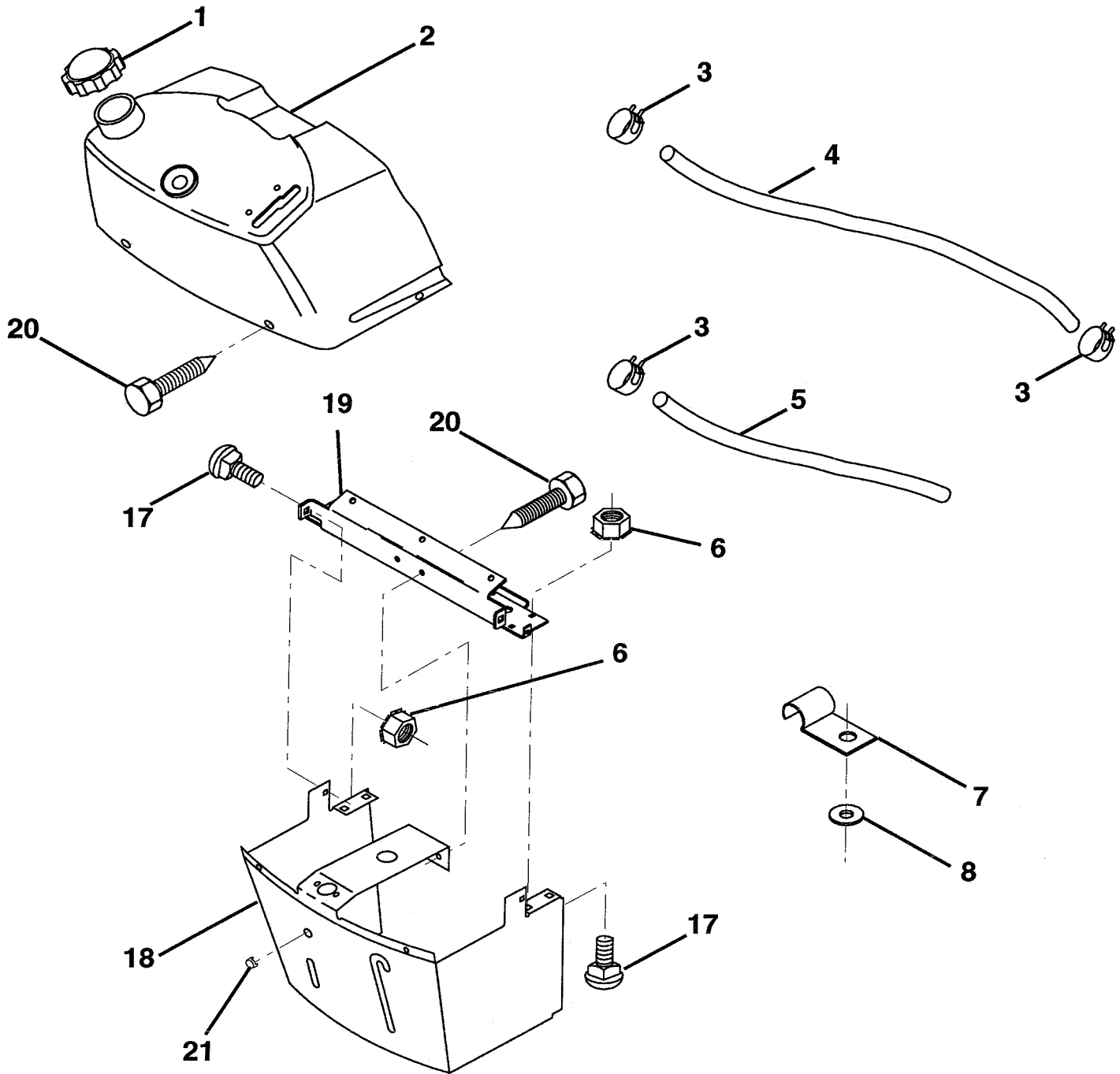
**NOTE:** All component dimensions given in U.S. inches  
1 inch = 25.4 mm

HARDWARE SHOWN LARGER FOR EASIER IDENTIFICATION

# REPAIR PARTS

12.5 HP 38" TRACTOR -- MODEL NUMBER 6H2A9A

## DASHBOARD



### KEY PART NO. NO.

### DESCRIPTION

1	132734	Cap, Fuel
2	138392	Assembly, Dash & Fuel Tank
3	123487X	Clamp, Hose
4	8544R	Line, Fuel
5	8548R	Line, Fuel
6	73510400	Nut, Hex, Keps 1/4-20
7	2751R	Clip, Fuel Line
8	19091216	Washer 9/32 x 3/4 x 16 Gauge

### KEY PART NO. NO.

### DESCRIPTION

17	72110404	Bolt, Carriage 1/4-20 x 1/2 Grade 5
18	131886	Support Assembly, Dash
19	134744	Brace, Cross
20	17060408	Screw, Self-Tapping 1/4-20 x 1/2
21	134014	Plug, Dome

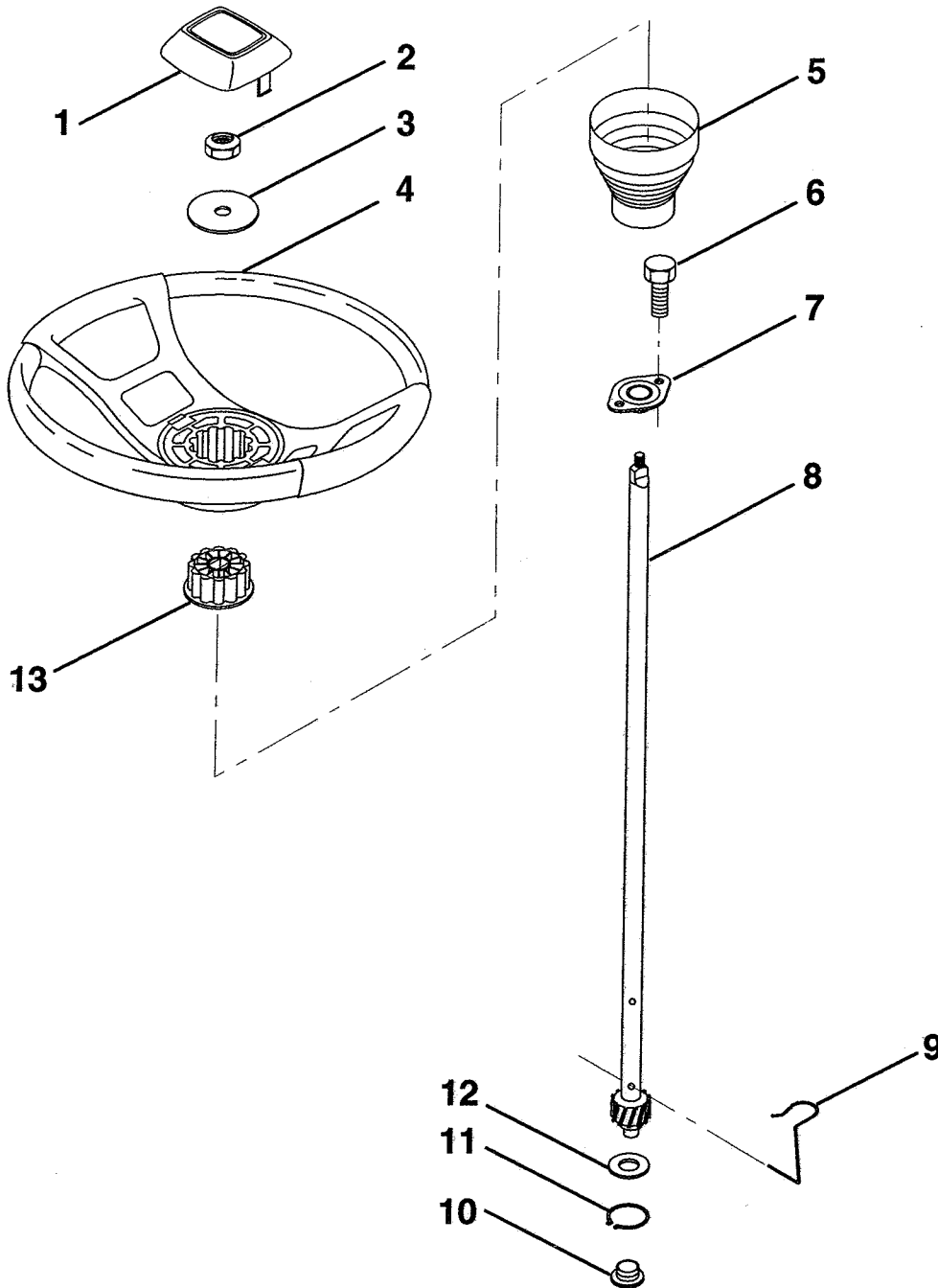
**NOTE:** All component dimensions given in U.S. inches  
1 inch = 25.4 mm

HARDWARE SHOWN LARGER FOR EASIER IDENTIFICATION

# REPAIR PARTS

## 12.5 HP 38" TRACTOR - - MODEL NUMBER 6H2A9A

### STEERING WHEEL



**KEY PART  
NO. NO.**

**DESCRIPTION**

1	133742	Insert, Steering Wheel
2	7810H	Locknut 3/8-24 UNF
3	19133808	Washer 13/32 x 2-3/8 x 8 Gauge
4	133741	Wheel, Steering
5	121897X	Sleeve, Steering
6	17431008	Screw, Hex Self-Tapping #10-16 x 1/2
7	102803X	Bushing, Steering

**KEY PART  
NO. NO.**

**DESCRIPTION**

8	123651X	Shaft, Steering
9	124210X	Clip, Steering
10	123438X	Bushing, Lower, Steering
11	12000045	Ring, Retaining
12	19211616	Washer 21/32 x 1 x 16 Gauge
13	104820X	Adaptor, Steering Wheel

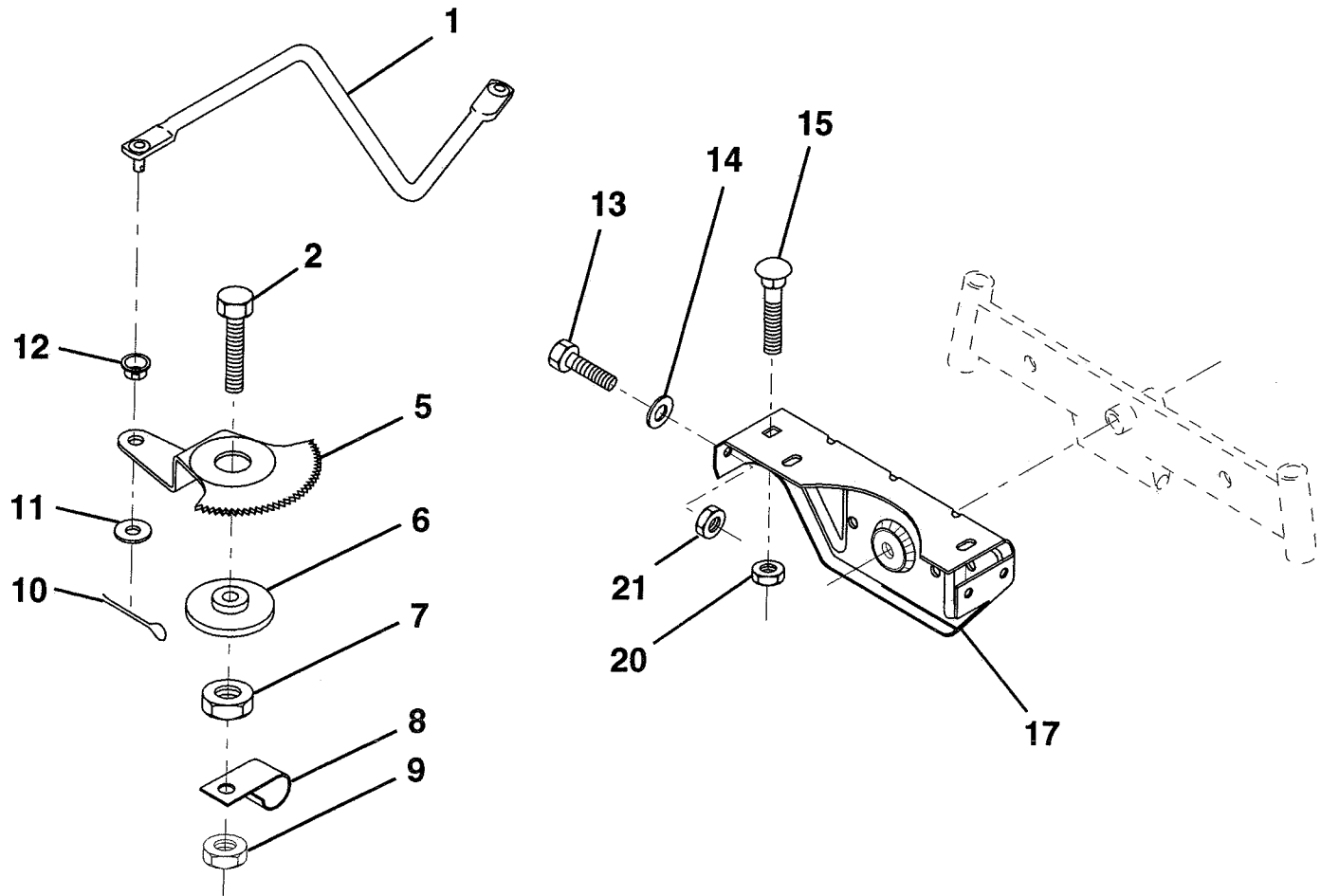
**NOTE:** All component dimensions given in U.S. inches  
1 inch = 25.4 mm

HARDWARE SHOWN LARGER FOR EASIER IDENTIFICATION

# REPAIR PARTS

## 12.5 HP 38" TRACTOR - - MODEL NUMBER 6H2A9A

### SECTOR GEAR / AXLE SUPPORT



#### KEY PART NO. NO.

#### DESCRIPTION

1	132566	Link, Drag
2	74780828	Bolt, Hex, Fin. 1/2-13 x 1-3/4
5	121926X	Gear, Sector
6	121927X	Bushing
7	73030800	Nut, Heavy, Hex, Top Lock 1/2-13 UNC
8	126472X	Clip, Wire
9	73680800	Nut, Crownlock 1/2-13
10	76020412	Pin, Cotter 1/8 x 3/4

#### KEY PART NO. NO.

#### DESCRIPTION

11	19131316	Washer 13/32 x 13/16 x 16 Gauge
12	126847X	Bushing
13	74760512	Bolt, Hex 5/16-18 UNC x 3/4
14	19111416	Washer 11/32 x 7/8 x 16 Gauge
15	72110606	Bolt, Carriage 3/8-16 UNC x 3/4
17	137096	Support, Front Axle
20	73680600	Nut, Crownlock 3/8-16 UNC
21	73680500	Nut, Crownlock 5/16-18

**NOTE:** All component dimensions given in U.S. inches  
1 inch = 25.4 mm

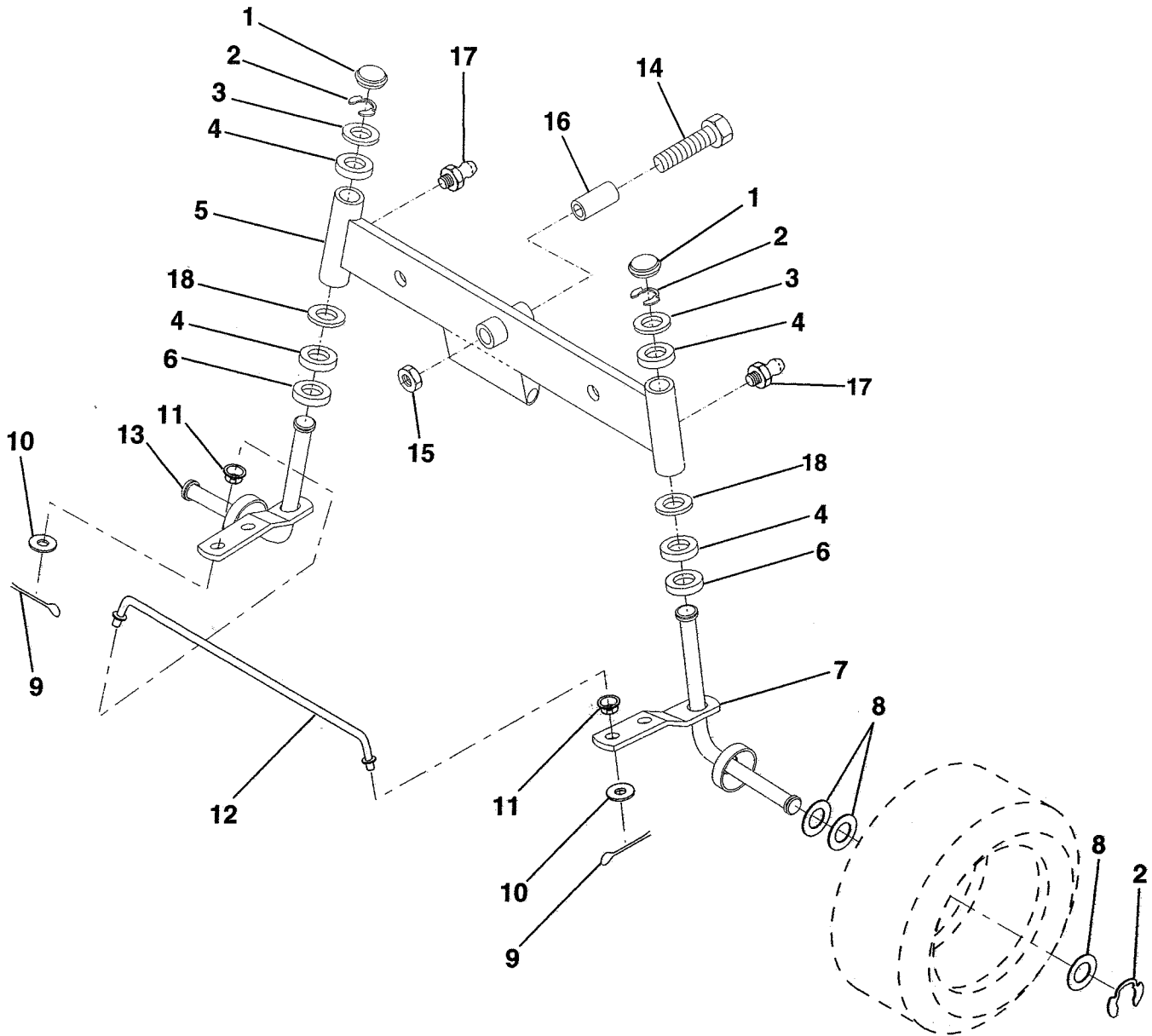
HARDWARE SHOWN LARGER FOR EASIER IDENTIFICATION



# REPAIR PARTS

## 12.5 HP 38" TRACTOR - - MODEL NUMBER 6H2A9A

### FRONT AXLE



**KEY PART  
NO. NO.**

**DESCRIPTION**

1	121232X	Cap, Spindle
2	12000029	Ring, Klip
3	121748X	Washer 25/32 x 1-5/8 x 16 Gauge
4	3366R	Bearing Col. Strg.
5	133988	Axle, Front
6	6266H	Bearing, Thrust
7	137062	Spindle Assembly, RH
8	121749X	Washer 25/32 x 1-1/4 x 16 Gauge
9	76020412	Pin, Cotter 1/8 x 3/4
10	19131316	Washer 13/32 x 13/16 x 16 Gauge

**KEY PART  
NO. NO.**

**DESCRIPTION**

11	126847X	Bushing
12	130465	Rod, Tie
13	137061	Spindle Assembly, LH
14	74011056	Bolt, Hex 5/8 - 11 x 3-1/2
15	73901000	Nut, Lock Flange 5/8 - 11
16	110438X	Spacer Bearing Axle Front
17	6855M	Fitting Grease
18	19272016	Washer 27/32 x 1-1/4 x 16 Ga.

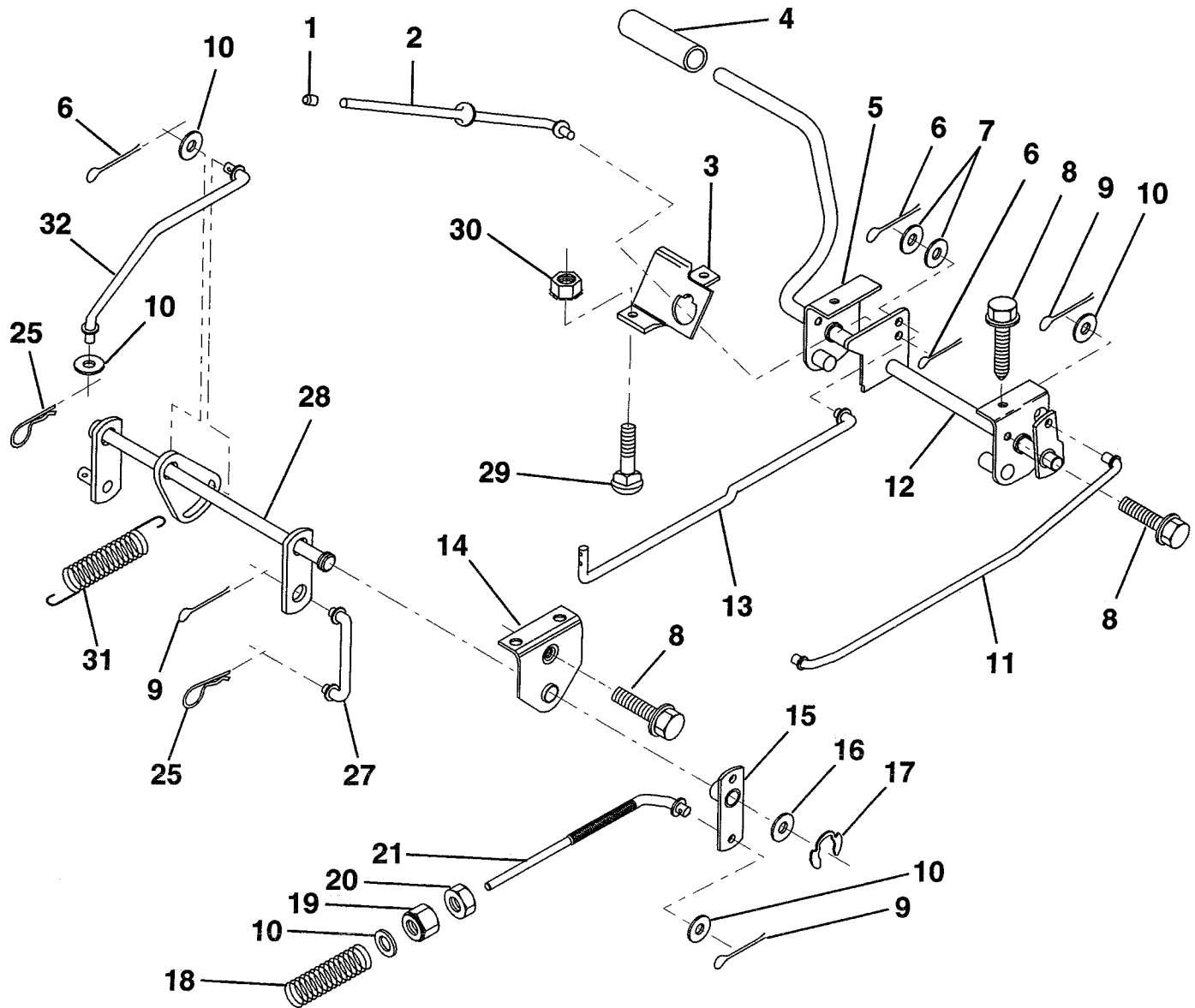
**NOTE:** All component dimensions given in U.S. inches  
1 inch = 25.4 mm

HARDWARE SHOWN LARGER FOR EASIER IDENTIFICATION

# REPAIR PARTS

## 12.5 HP 38" TRACTOR -- MODEL NUMBER 6H2A9A

### BRAKE / REAR MOWER LIFT ASSEMBLY



#### KEY PART NO. NO.

KEY PART NO. NO.	DESCRIPTION
1 71673	Cap, Plunger
2 123436X	Rod, Parking Brake
3 123437X	Bracket, Parking Brake
4 8883R	Cover, Pedal
5 132205	Bracket Assy., Clutch Pedal, LH
6 76020312	Pin, Cotter 3/32 x 3/4
7 19131016	Washer 13/32 x 5/8 x 16 Gauge
8 17490508	Screw, Hex, Thd. Roll. 5/16-18 x 1/2
9 76020412	Pin, Cotter 1/8 x 3/4
10 19131316	Washer 13/32 x 13/16 x 16 Gauge
11 123543X	Rod, Front Brake
12 136263	Assembly, Clutch/Brake Pedal
13 123394X	Rod, Clutch
14 121978X	Bracket, Lift, Shaft

#### KEY PART NO. NO.

KEY PART NO. NO.	DESCRIPTION
15 123641X	Assembly, Brake, Pivot, Arm
16 19251816	Washer 25/32 x 1-1/8 x 16 Gauge
17 12000034	Ring, Klip
18 106888X	Spring, Brake Rod
19 73350600	Nut, Hex, Jam 3/8-16 UNC
20 73800600	Nut, Crownlock 3/8-16 UNC
21 131936	Rod, Rear Brake
25 4921H	Spring, Retainer
27 136780	Link, Lift Rear
28 136779	Assembly, Rear Mower Lift
29 72110506	Bolt, Carriage 5/16-18 UNC x 3/4
30 73510500	Nut, Keps 5/16-18 UNC
31 133095	Spring, Counterbalance
32 133721	Link, Lift Lever

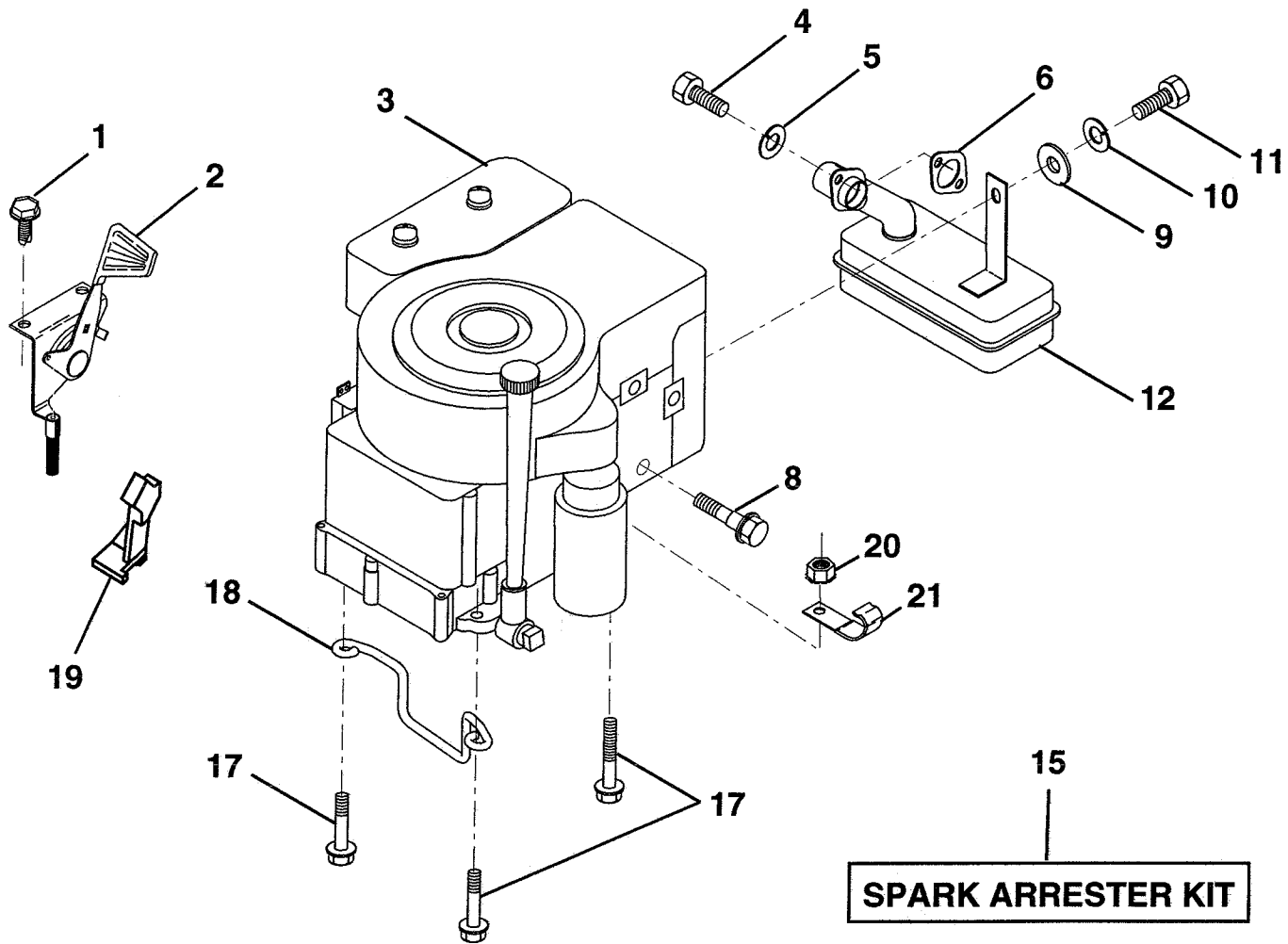
**NOTE:** All component dimensions given in U.S. inches  
1 inch = 25.4 mm

HARDWARE SHOWN LARGER FOR EASIER IDENTIFICATION

# REPAIR PARTS

12.5 HP 38" TRACTOR - - MODEL NUMBER 6H2A9A

ENGINE / THROTTLE



**KEY PART NO. NO.**

**DESCRIPTION**

1	17060408	Screw, Hex, Thread Cutting 1/4-20 x 1/2
2	133025	Control, Throttle
3	-----	Engine, Briggs & Stratton, 12.5 HP, Model 289707
4	71070512	Screw, Hex Head Cap 5/16-18 x 3/4
5	10040500	Washer, Lock, Heavy Helical Spring 5/16
6	125593X	Gasket, Exhaust
8	121094X	Bolt, Shoulder
9	19101216	Washer 5/16 x 3/4 x 16 Gauge
10	10040400	Washer, Lock, Heavy Helical Spring 1/4

**KEY PART NO. NO.**

**DESCRIPTION**

11	74780416	Bolt, Hex, Fin. 1/4-20 UNC x 3/4
12	137437	Muffler
15	137180	Kit, Spark Arrester (Optional)
17	17490624	Screw, Hex Washer Head, Thd. Roll. 3/8-16 x 1-1/2
18	126636X	Keeper, Ground Drive Belt
19	127951	Stop, Throttle
20	73510600	Nut, Keps Hex 3/8 - 16 UNC
21	2751R	Clip, Fuel Line

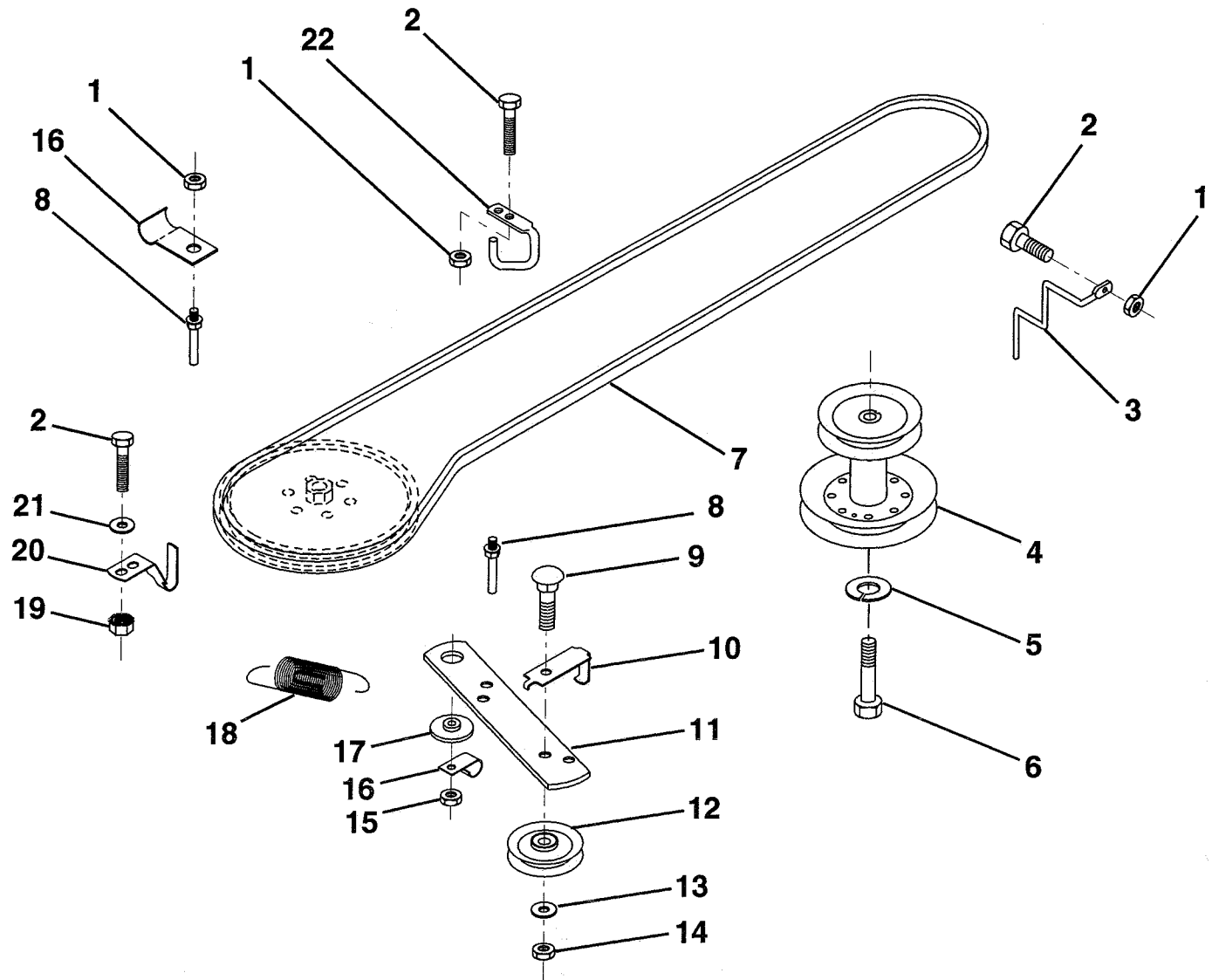
**NOTE:** All component dimensions given in U.S. inches  
1 inch = 25.4 mm

HARDWARE SHOWN LARGER FOR EASIER IDENTIFICATION

# REPAIR PARTS

## 12.5 HP 38" TRACTOR -- MODEL NUMBER 6H2A9A

### GROUND DRIVE



#### KEY PART NO. NO.

1 73680500  
 2 74760512  
 3 132946  
 4 135036  
 5 10040700  
 6 71130748  
 7 124525X  
 8 123405X  
 9 72140612  
 10 123396X  
 11 123395X  
 12 4859J  
 13 19131316

#### DESCRIPTION

Nut, Crownlock 5/16-18  
 Bolt, Hex 5/16-18 UNC x 3/4  
 Keeper, Mower Drive Belt, Engine  
 Pulley, Engine  
 Washer, Lock 7/16  
 Bolt, Hex, Fin 7/16-20 UNF x 3  
 Traction, V-Belt Drive  
 Keeper, T/A Ground Drive Belt  
 Bolt, Carriage 3/8-16 x 1-1/2  
 Keeper, Ground Drive Belt, Idler  
 Arm, Ground Drive Clutch  
 Idler, Flat  
 Washer 13/32 x 13/16 x 16 Gauge

#### KEY PART NO. NO.

14 73930600  
 15 73680600  
 16 126471X  
 17 122052X  
 18 131459  
 19 73510500  
 20 123891X  
 21 19111016  
 22 123404X

#### DESCRIPTION

Nut, Centerlock 3/8-16 UNC  
 Nut, Crownlock 3/8-16 UNC  
 Clip, Insulated  
 Spacer, Retainer  
 Spring, Extension  
 Nut, Keps 5/16-18 UNC  
 Keeper, T/A Ground Drive Belt  
 Washer 11/32 x 5/8 x 16 Gauge  
 Keeper, Frame, Ground Drive Belt

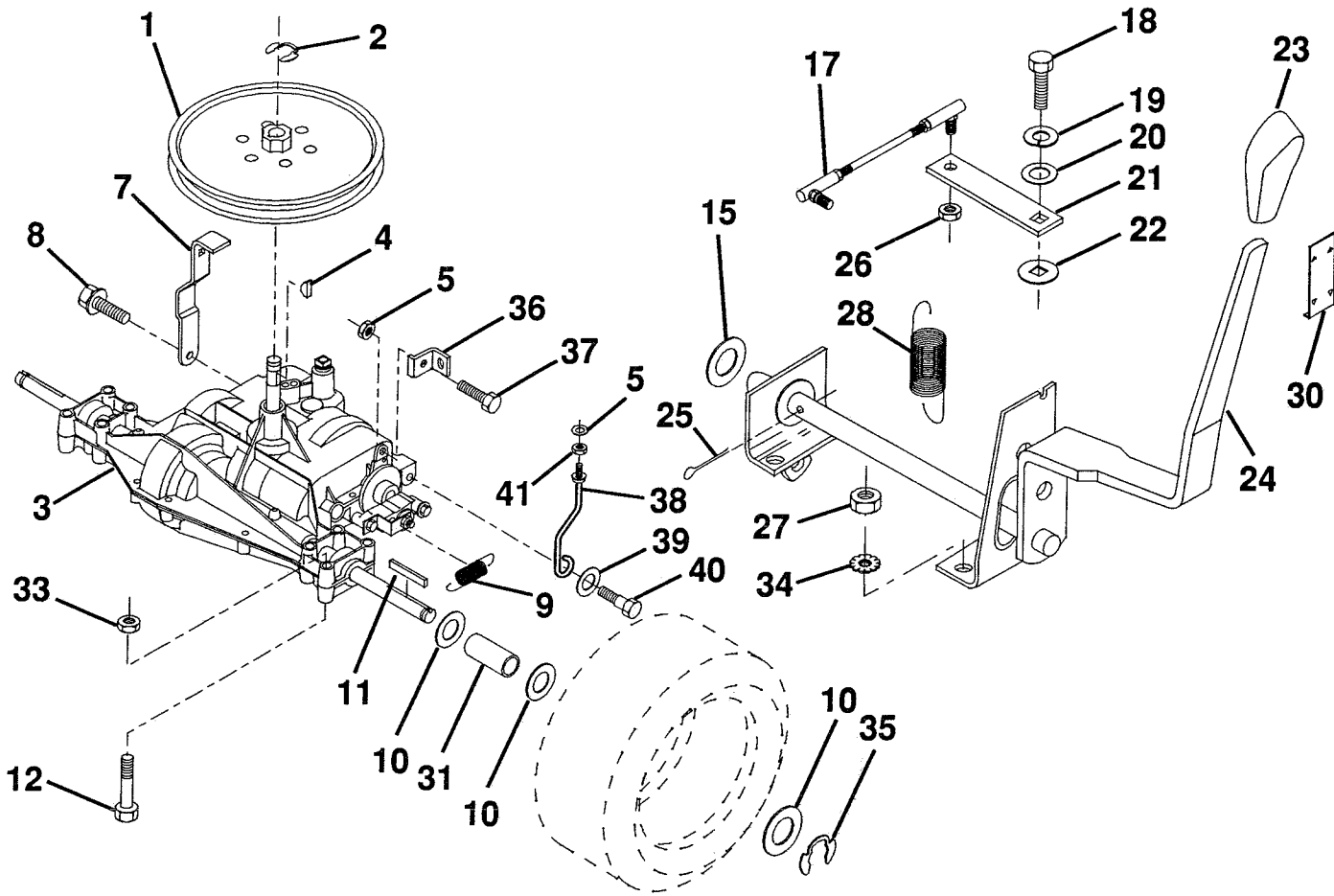
**NOTE:** All component dimensions given in U.S. inches  
 1 inch = 25.4 mm

HARDWARE SHOWN LARGER FOR EASIER IDENTIFICATION

# REPAIR PARTS

12.5 HP TRACTOR 38 " - - NUMERO DE MODELE 6H2A9A

## TRANSMISSION



KEY NO.	PART NO.	DESCRIPTION
1	123385X	Pulley
2	12000028	Ring, Retainer
3	131944	Transaxle Dana, 6 speed, Model Number 2000-06
4	2228M	Key, Woodruff #9
5	73680500	Nut, Crownlock 5/16-18
7	131939	Strap, Torque
8	17490512	Screw, Hex, Thd. Roll H 5/16-18 x 3/4
9	110422X	Spring, Brake
10	121749X	Washer 25/32 x 1-1/4 x 16 Ga.
11	123583X	Key, Square
12	74760644	Bolt Hex 3/8-16 x 2-3/4
15	19171616	Washer 17/32 x 1 x 16 Ga.
17	131940	Link, Shift
18	71040412	Bolt Hex 1/4-28 x 3/4 Cat. 8
19	10040400	Washer, Lock 1/4
20	19091210	Washer 9/32 x 3/4 x 10 Ga.
21	131934	Arm, Shift
22	105701X	Washer, Shift Plate

KEY NO.	PART NO.	DESCRIPTION
23	122011X	Knob
24	131933	Rod Asm., Shift
25	76020412	Pin, Cotter 1/8 x 3/4
26	73810500	Nut, Hex, Nylon 5/16-24
27	73510500	Nut, Keps 5/16-18
28	128085	Spring, Extension
30	123692X	Retainer, Knob
31	123409X	Spacer
33	73680600	Nut, Crownlock 3/8-16
34	11050500	Washer, Lock External Tooth 5/16
35	12000001	E Ring
36	131935	Bracket, Brake
37	74760512	Bolt Hex 5/16 - 18 x 3/4
38	131937	Keeper Belt, Rh
39	19171612	Washer 17/32 x 1 x 12 Ga.
40	132827	Bolt, Shoulder 5/16 - 18
41	73800500	Locknut, Hex w/ins. 5/16 - 18

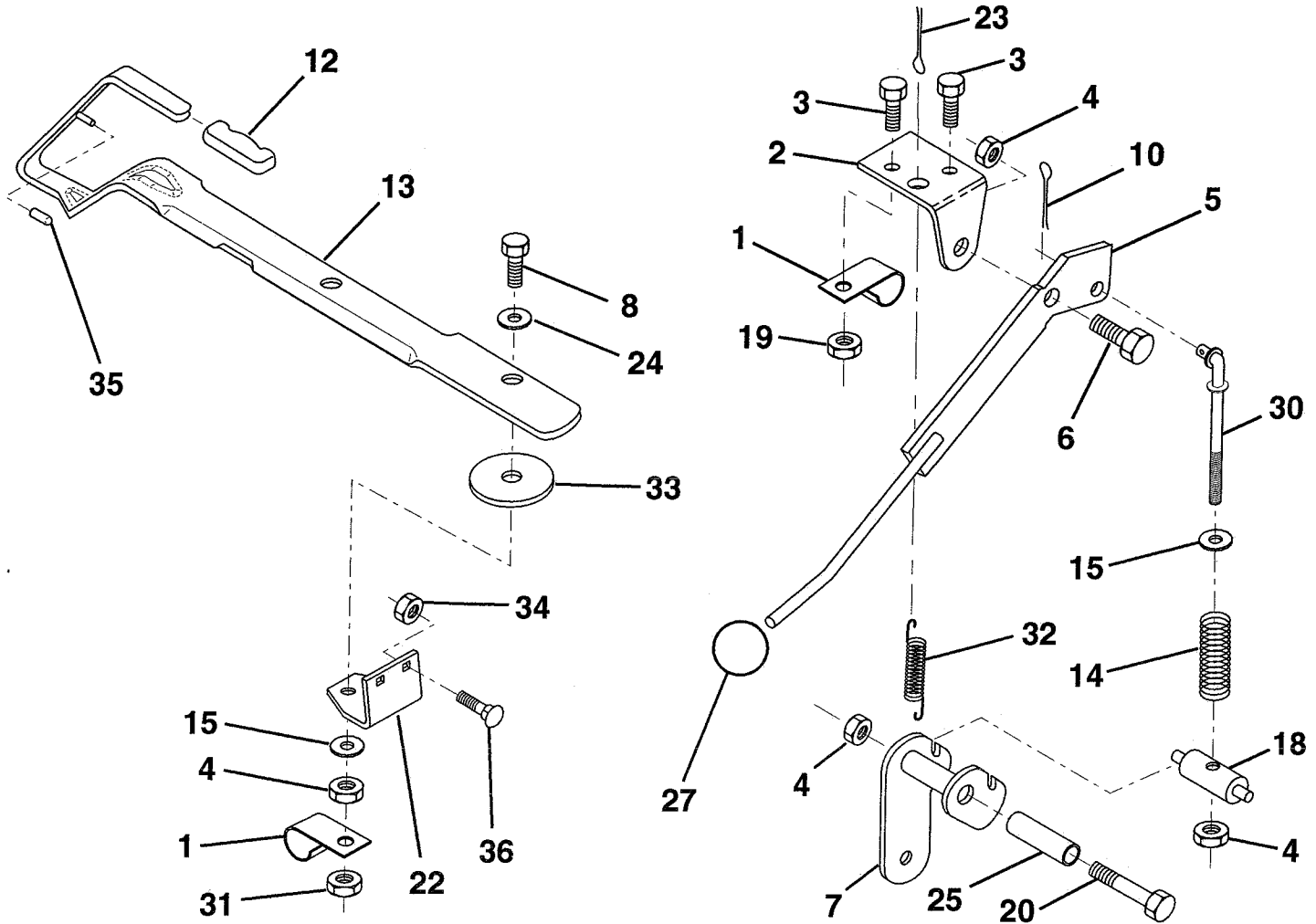
NOTE: All component dimensions given in U.S. inches 1 inch = 25,4 mm.

HARDWARE SHOWN LARGER FOR EASIER IDENTIFICATION

# REPAIR PARTS

## 12.5 HP 38" TRACTOR - - MODEL NUMBER 6H2A9A

### MOWER LIFT LEVER



#### KEY PART NO. NO.

#### DESCRIPTION

1	126470X	Clip, Fuel Line
2	122018X	Bracket, Mower Clutch
3	74780408	Bolt, Hex, Fin 1/4-20 UNC x 1/2 Grade 5
4	73680600	Nut, Crownlock 3/8-16 UNC
5	132552	Assembly, Clutch Lever
6	106451X	Bolt, Shoulder
7	135110	Assembly, Mower Clutch Arm
8	74930624	Bolt, Hex 3/8-16 x 1-1/2
10	76020412	Pin, Cotter 1/8 x 3/4
12	122027X	Handle, Lift Lever
13	136658	Lift Lever
14	133939	Spring, Compression, Clutch
15	19131616	Washer 13/32 x 1 x 16 Gauge
18	135107	Trunnion
19	73680400	Nut, Crownlock 1/4-20

#### KEY PART NO. NO.

#### DESCRIPTION

20	74760644	Bolt, Hex, Fin. 3/8-16 UNC x 2-3/4
22	132561	Bracket, Lift Lever
23	76020312	Pin, Cotter 3/32 x 3/4
24	7672J	Washer 25/64 x 1-1/4 x 12 Gauge
25	121933X	Tube, Spacer
27	121466X	Knob
30	135039	Rod, Tension, Clutch
31	73930600	Nut, Centerlock 3/8-16
32	133435	Spring, Extension, Return
33	62333	Washer
34	73680500	Nut, Crownlock 5/16-18
35	133603	Cap, Vinyl, Red
36	72140506	Bolt, Carriage 5/16-18 x 3/4

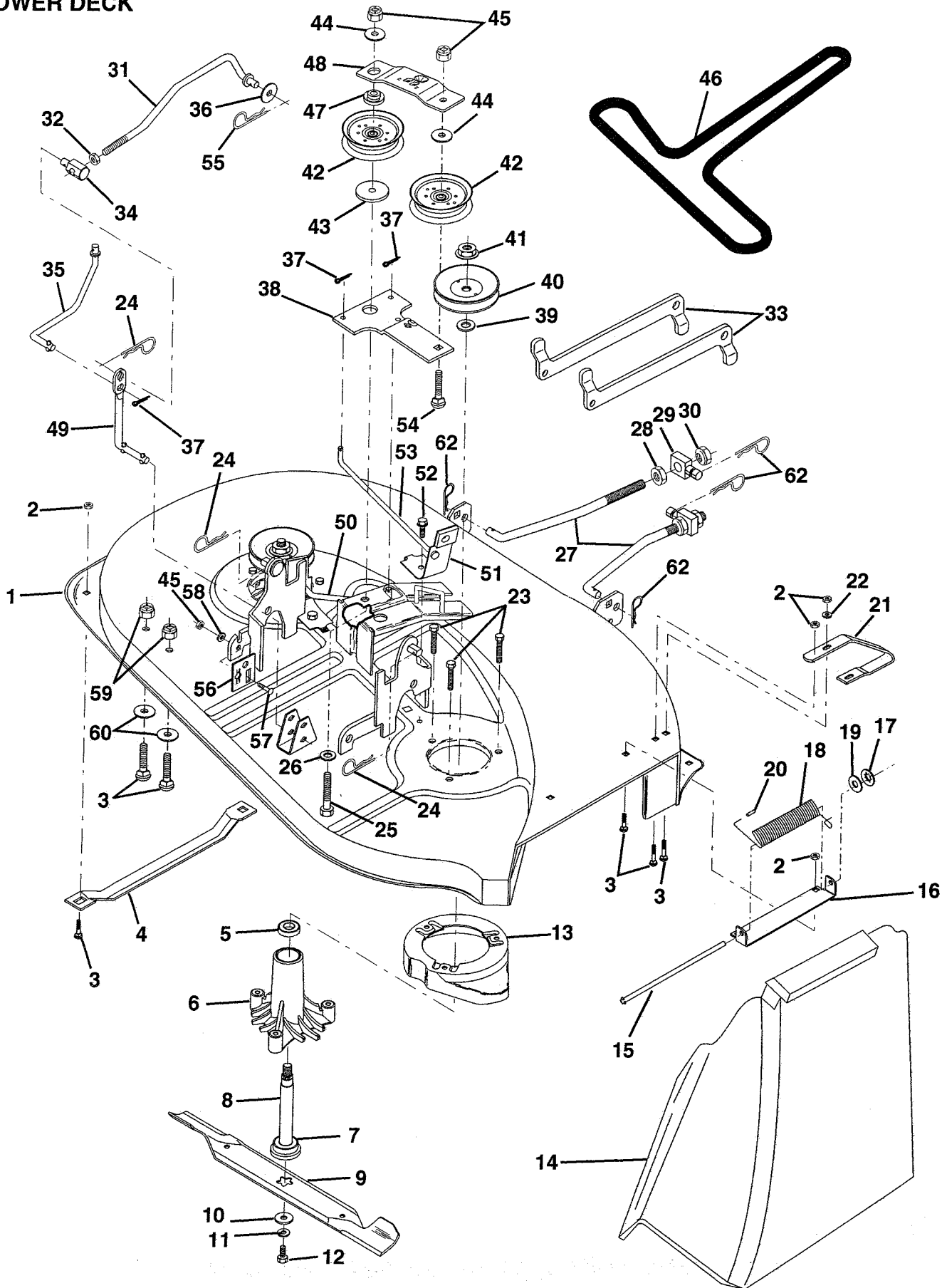
**NOTE:** All component dimensions given in U.S. inches  
1 inch = 25.4 mm

HARDWARE SHOWN LARGER FOR EASIER IDENTIFICATION

# REPAIR PARTS

12.5 HP 38" TRACTOR -- MODEL NUMBER 6H2A9A

## MOWER DECK



# REPAIR PARTS

## 12.5 HP 38" TRACTOR - - MODEL NUMBER 6H2A9A

### MOWER DECK

KEY NO.	PART NO.	DESCRIPTION	KEY NO.	PART NO.	DESCRIPTION
1	138356	Mower Deck Assembly	34	133604	Trunnion 3/8-16
2	73680500	Nut, Crownlock 5/16-18	35	132554	Rod, Clutch, Secondary
3	72140506	Bolt, Carriage 5/16-18 x 3/4	36	19131316	Washer 13/32 x 13/16 x 16 Gauge
4	7631J	Runner, L.H.	37	76020312	Pin, Cotter 3/32 x 3/4
5	110485X	Bearing	38	133840	Idler Arm
6	128774	Housing, Mandrel	39	129963	Washer .150 Thick
7	129895	Bearing	40	129206	Pulley, Mandrel
8	137645	Shaft & Bearing Assembly, Mandrel (Includes Key #7)	41	137266	Nut, Flangelock 9/16
9	131322	Blade, High Performance	42	131494	Pulley, Flat Idler
10	129962	Washer, Hard	43	122052X	Spacer, Retainer
11	10030600	Washer, Lock 3/8	44	19131612	Washer 13/32 x 1 x 12 Gauge
12	850857	Bolt 3/8-24 x 1-1/4 Grade 8	45	73680600	Nut, Crownlock 3/8-16
13	136929	Stripper, Mower, Vented	46	131290	Belt
14	106736X	Shield, Deflector	47	133502	Spacer, Idler Arm
15	106735X	Rod, Hinge	48	133503	Stiffener, Idler Arm
16	137607	Bracket Assembly, Deflector	49	133551	Rod, Pivot
17	110452X	Pushnut	50	131289	Rod, Brake, L.H.
18	106734X	Spring, Deflector	51	130840	Brake Assembly
19	19111016	Washer 11/32 x 5/8 x 16 Gauge	52	17490512	Screw, Hex Washer Head, Thd., Roll. 5/16-18 x 3/4
20	105304X	Cap, Sleeve	53	131288	Rod, Brake, R.H.
21	128772	Runner, R.H.	54	72110614	Bolt, Carriage 3/8-16 x 1-3/4 Grade 5
22	19111216	Washer 11/32 x 3/4 x 16 Gauge	55	4497H	Spring, Retainer
23	78158	Bolt 5/16-18 x 1-1/4	56	136782	Plate Adj. Link Rear
24	4939M	Retainer, Spring	57	72140606	Bolt Carriage 3/8 - 16 Unc X 3/4
25	74600636	Bolt, Carriage 3/8-16 x 2-1/4	58	19131212	Washer 13/32 x 3/4 x 12 Ga.
26	19131612	Washer 13/32 x 1 x 12 Gauge	59	73800500	Locknut - Hex w/ins 5/16 - 18
27	132556	Link Assembly, Front	60	19111112	Washer 11/32 x 11/16 x 16 Ga.
28	73350800	Nut, Hex, Jam 1/2-13 UNC	62	3146R	Retainer Spring
29	130171	Trunnion	--	138422	Mower Deck, Complete
30	73800800	Locknut with Washer Insert 1/2-13 UNC	--	130794	Mandrel Asm (Includes Key #'s 5-8, 10-12, 39 and 41)
31	132553	Rod, Clutch, Primary			
32	73350600	Nut, Hex, Jam 3/8-16			
33	132559	Arm, Suspension, Rear			

**NOTE:** All component dimensions given in U.S. inches  
1 inch = 25.4 mm

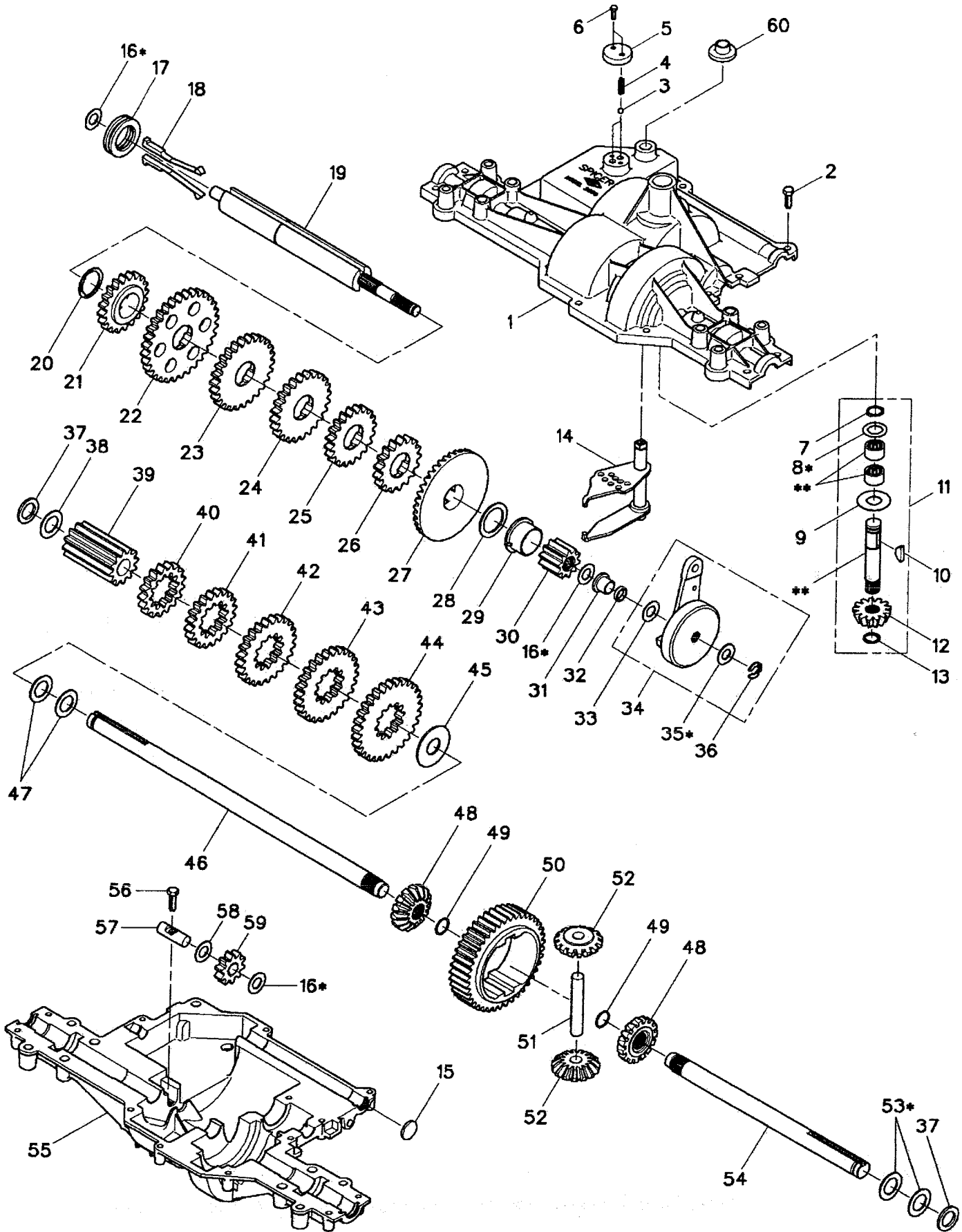
HARDWARE SHOWN LARGER FOR EASIER IDENTIFICATION



# REPAIR PARTS

12.5 HP 38" TRACTOR - - MODEL NUMBER 6H2A9A

DANA TRANSAXLE - MODEL NUMBER 2000-06



# REPAIR PARTS

## 12.5 HP 38" TRACTOR - - MODEL NUMBER 6H2A9A

### DANA TRANSAXLE - MODEL NUMBER 2000-06

KEY PART NO. NO.	DESCRIPTION	KEY PART NO. NO.	DESCRIPTION
1 139171	Housing, Upper	34 139166	Assembly, Kit Cone Brake
2 2274J	Screw, Tapping, Large 1/4-20 x .734	35 134395	Assembly, Kit, Shim, .464 Shaft
3 134400	Ball, Detent	36 134438	Klip Ring
4 134423	Spring, Detent	37 134401	Washer, Neoprene
5 134422	Cover, Detent	38 2263J	Washer, Plain .758 x 1.25 x .062
6 6731J	Screw, Tapping, Large #8-32 x .50	39 134411	Gear, Spur, 12 Teeth
7 2267J	Ring, Retaining	40 134380	Gear, Spur, 17 Teeth
8 134793	Assembly, Kit, Shim, .625 Shaft	41 134384	Gear, Spur, 20 Teeth
9 120415X	Washer, Plain .632 x 1.38 x .046	42 134414	Gear, Spur, 24 Teeth
10 2257J	Key, Woodruff, #9	43 134413	Gear, Spur, 26 Teeth
11 134390	Assembly, Kit, Input Shaft	44 134412	Gear, Spur, 29 Teeth
12 134381	Pinion, Bevel, 13 Teeth	45 134382	Washer, Plain .758 x 1.88 x .062
13 134383	Ring, Retaining	46 139167	Axle, L.H.
14 134387	Assembly, Shifter	47 2264J	Washer, Plain .758 x 1.25 x .031
15 134428	Seal	48 110081X	Gear, Miter, 15 Teeth
16 134393	Assembly, Kit, Shim, .500 Shaft	49 105941X	Ring, Retaining
17 105913X	Collar, Clutch	50 134419	Gear, Spur, 41 Teeth
18 134391	Assembly, Kit, Clutch Keys	51 120952X	Shaft, Cross
19 134415	Shaft, Drive	52 110082X	Gear, Miter, 15 Teeth
20 105916X	Ring, Retaining	53 134394	Assembly, Kit, Shim, .750 Shaft
21 134409	Gear, Spur, 20 Teeth	54 139168	Axle, R.H.
22 134408	Gear, Spur, 32 Teeth	55 139169	Housing, Lower
23 134407	Gear, Spur, 26 Teeth	56 2274J	Screw, Tapping, Large 1/4-20 x .875
24 134406	Gear, Spur, 24 Teeth	57 134385	Shaft, Idler
25 134403	Gear, Spur, 20 Teeth	58 120465X	Washer, Plain .505 x .942 x .020
26 134402	Gear, Spur, 17 Teeth	59 139170	Gear, Spur, 10 Teeth
27 134410	Gear, Bevel, 39 Teeth and Spur, 15 Teeth	60 134399	Boot, Shifter
28 134429	Washer, Plain 1.135 x 1.56 x .062	61 120416X	Grease
29 134421	Bearing, Flange		
30 134418	Gear, Spur, 10 Teeth		
31 134420	Bearing, Flange		
32 134439	Seal		
33 120464X	Washer, Plain .505 x .942 x .015		

\* Use in various combinations to maintain proper clearances.

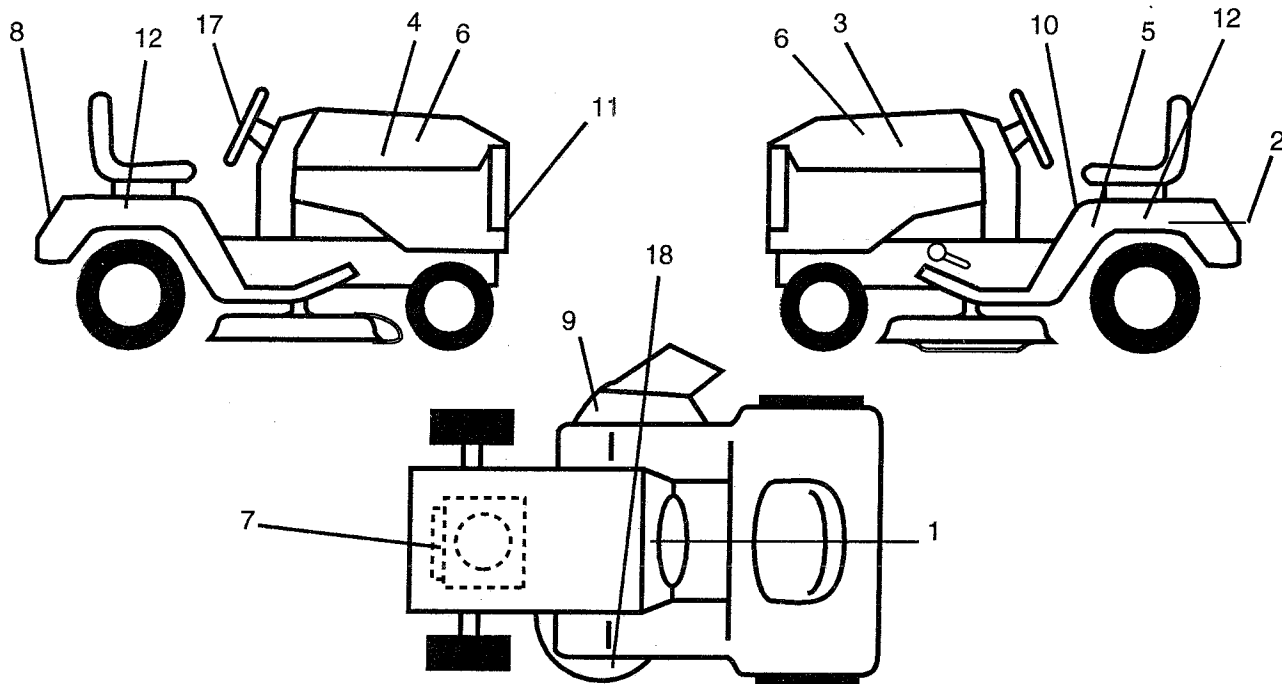
\*\* Order Key Number 11.

**NOTE:** All component dimensions given in U.S. inches  
1 inch = 25.4 mm

# REPAIR PARTS

## 12.5 HP 38" TRACTOR -- MODEL NUMBER 6H2A9A

### DECALS



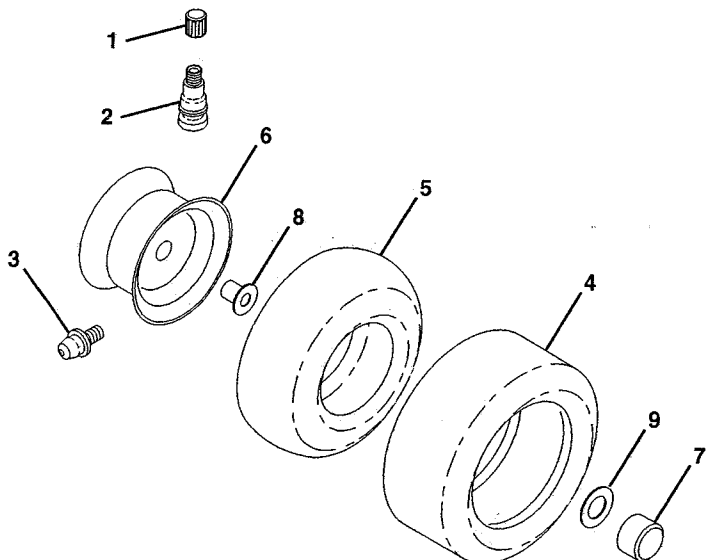
#### KEY PART NO. NO.

KEY PART NO.	NO.	DESCRIPTION
1	123637X	Decal, Instruction, English
2	121549X	Decal, Caution Battery
3	136504	Decal, Stripe, Hood, L.H.
4	136503	Decal, Stripe, Hood, R.H.
5	132928	Decal, Height Indicator, Deck
6	135866	Decal, HP, Hood
7	129057	Decal, Engine
8	132628	Decal, Fender

#### KEY PART NO. NO.

KEY PART NO.	NO.	DESCRIPTION
9	137259	Decal, Warning
10	133795	Decal, Caution
11	132627	Decal, Logo, Grill
12	138804	Decal, Fender Quickshf.
17	127075	Decal, Logo, Steering Wheel
18	135013	Decal, Enviro
--	138573	Manual, Operator's, English
--	138571	Manual, Operator's, French
--	138965	Manual, Parts, English / French

### WHEELS & TIRES



#### KEY PART NO. NO.

KEY PART NO.	NO.	DESCRIPTION
1	59192	Cap, Valve
2	65139	Stem, Valve
3	278H	Fitting, Grease (Front Only)
4	137422	Tire, Front
	132703	Tire, Rear
5	59904	Tube, Tire, Front
	8134H	(Not Supplied, Service Item Only)
		Tube, Tire, Rear
		(Not Supplied, Service Item Only)
6	137237X311	Rim, Front
	123412X311	Rim, Rear
7	104757X	Cap, Axle (Front and Rear)
8	9040H	Bearing, Flange (Front only)
9	121748X	Washer 25/32 x 1-5/8 x 16 Gauge

**NOTE:** All component dimensions given in U.S. inches  
1 inch = 25.4 mm

HARDWARE SHOWN LARGER FOR EASIER IDENTIFICATION