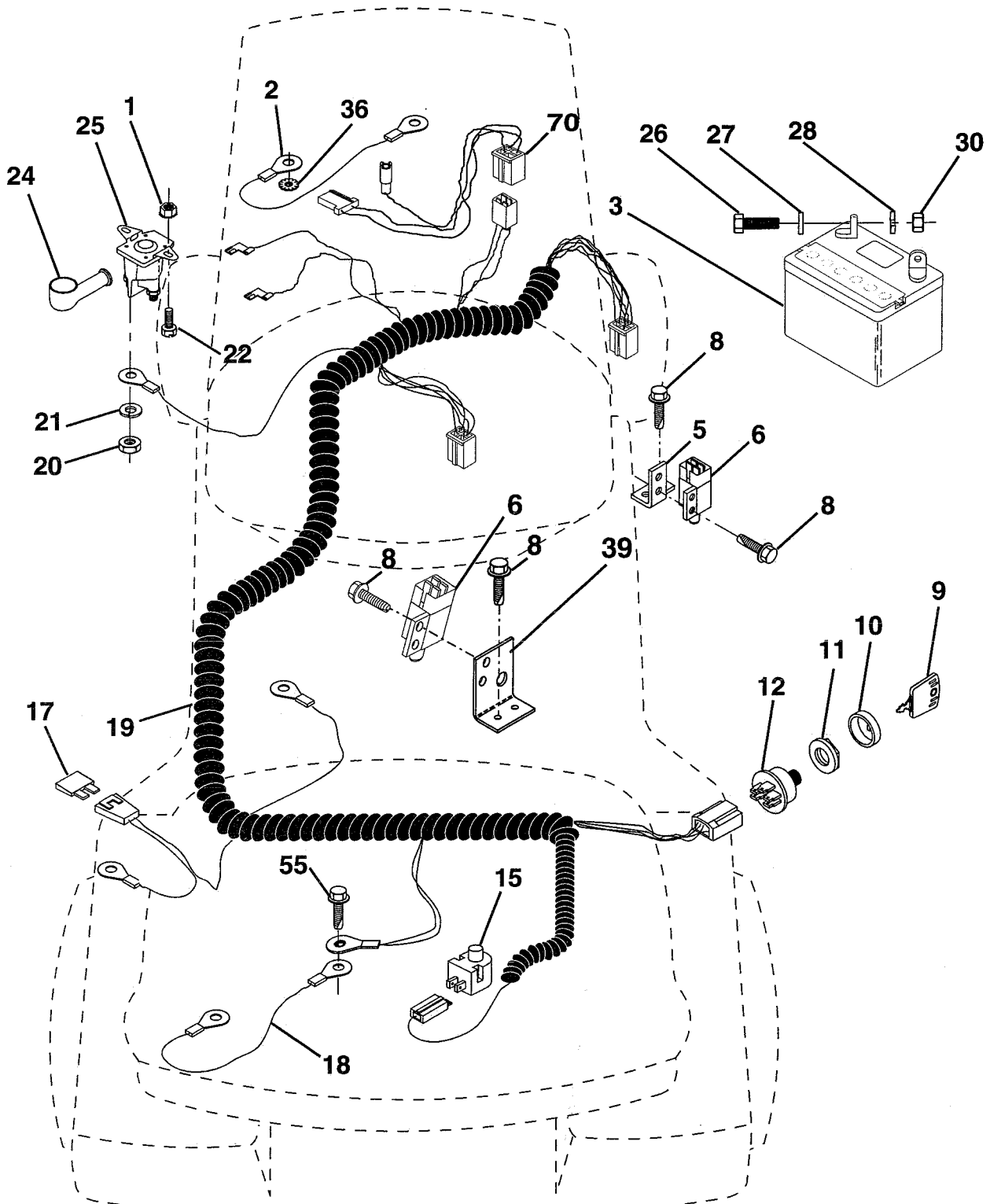


# REPAIR PARTS

## TRACTOR -- MODEL NO. 6C1A7C

### ELECTRICAL



# REPAIR PARTS

## TRACTOR - - MODEL NO. 6C1A7C

### ELECTRICAL

KEY NO.	PART NO.	DESCRIPTION
1	73640400	Nut, Hex Keps 1/4-20
2	108423X	Assembly, Cable
3	144924	Battery
5	108236X	Bracket, Switch
6	109553X	Switch, Interlock
8	17021008	Screw, Hex Hd. Tap #10-24 x 1/2
9	140401	Key, Molded
10	141226	Cover, Key Ignition
11	140400	Nut, Ignition
12	144921	Switch, Ignition
15	121305X	Switch, Plunger
17	108824X	Fuse
18	128353	Assembly, Cable
19	146063	Harness, Ignition
20	73350400	Nut, Hex Jam 1/4-20
21	10090400	Washer, Lock 1/4
22	71110408	Bolt, Hex 1/4-20 x 12 Gr. 5
24	131563	Cover, Terminal
25	145673	Solenoid
26	74760412	Bolt, Hex Hd. 1/4-20 UNC x 3/4
27	19091016	Washer 9/32 x 5/8 x 16 Ga.
28	10040400	Washer, Lock Hvy. Hel. Spring 1/4
30	73220400	Nut, Hex, Fin. 1/4-20
36	11150400	Washer Lock Int. Tooth 1/4
39	141735	Bracket, Switch Clutch
55	17490508	Screw, thdrol 5/16-18 x 1/2
70	140413	Harness, Engine

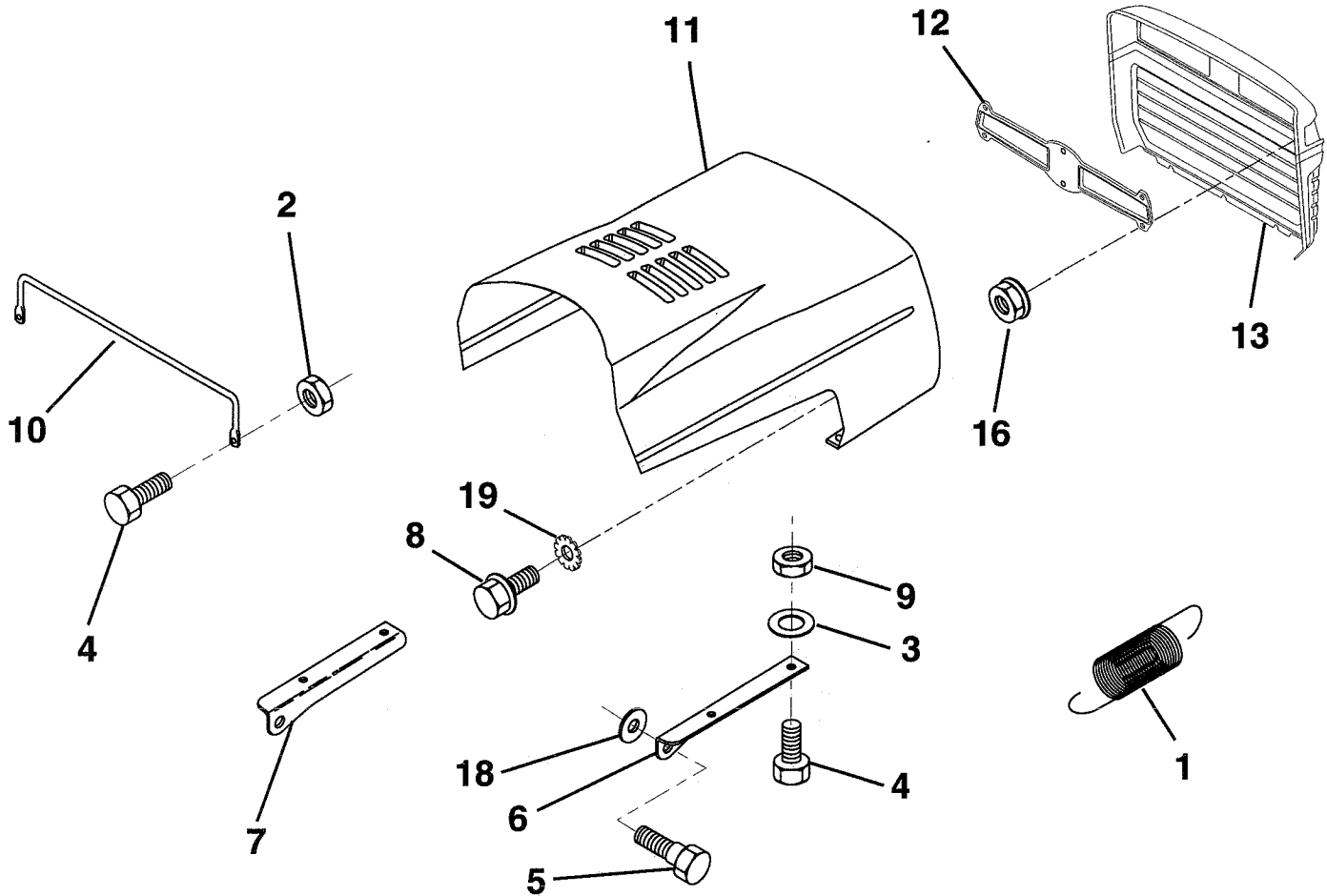
**NOTE:** All component dimensions given in U.S. inches.  
1 inch = 25.4 mm

HARDWARE SHOWN LARGER FOR EASIER IDENTIFICATION

# REPAIR PARTS

## TRACTOR -- MODEL NUMBER 6C1A7C

### HOOD



KEY NO.	PART NO.	DESCRIPTION
1	124657X	Extension, Spring
2	73640400	Nut, Hex, Keps 1/4-20
3	19091416	Washer, 9/32 x 7/8 x 16 Ga.
4	74780412	Bolt, Hex Fin 1/4-20 x 3/4 Gr. 5
5	139888	Bolt, Shoulder
6	122549X	Bracket, Hood R. H.
7	122548X	Bracket, Hood L.H.
8	17521310	Screw Sltd. Hex Hd W/PL Washer
9	73800400	Nut Lock W/Insert 1/4-20 UNC

KEY NO.	PART NO.	DESCRIPTION
10	123693X	Brace, Hood
11	132918X505	Hood
12	127178	Lens Clear Bar Dual LR P/L
13	134232X428	Grill
16	124346X	Nut Self-Thd. Wsh-Hd 1/4
18	19111116	Washer 11/32 x 11/16 x 16 Ga.
19	11030400	Washer Lock 1/4 Int/Ext Tooth

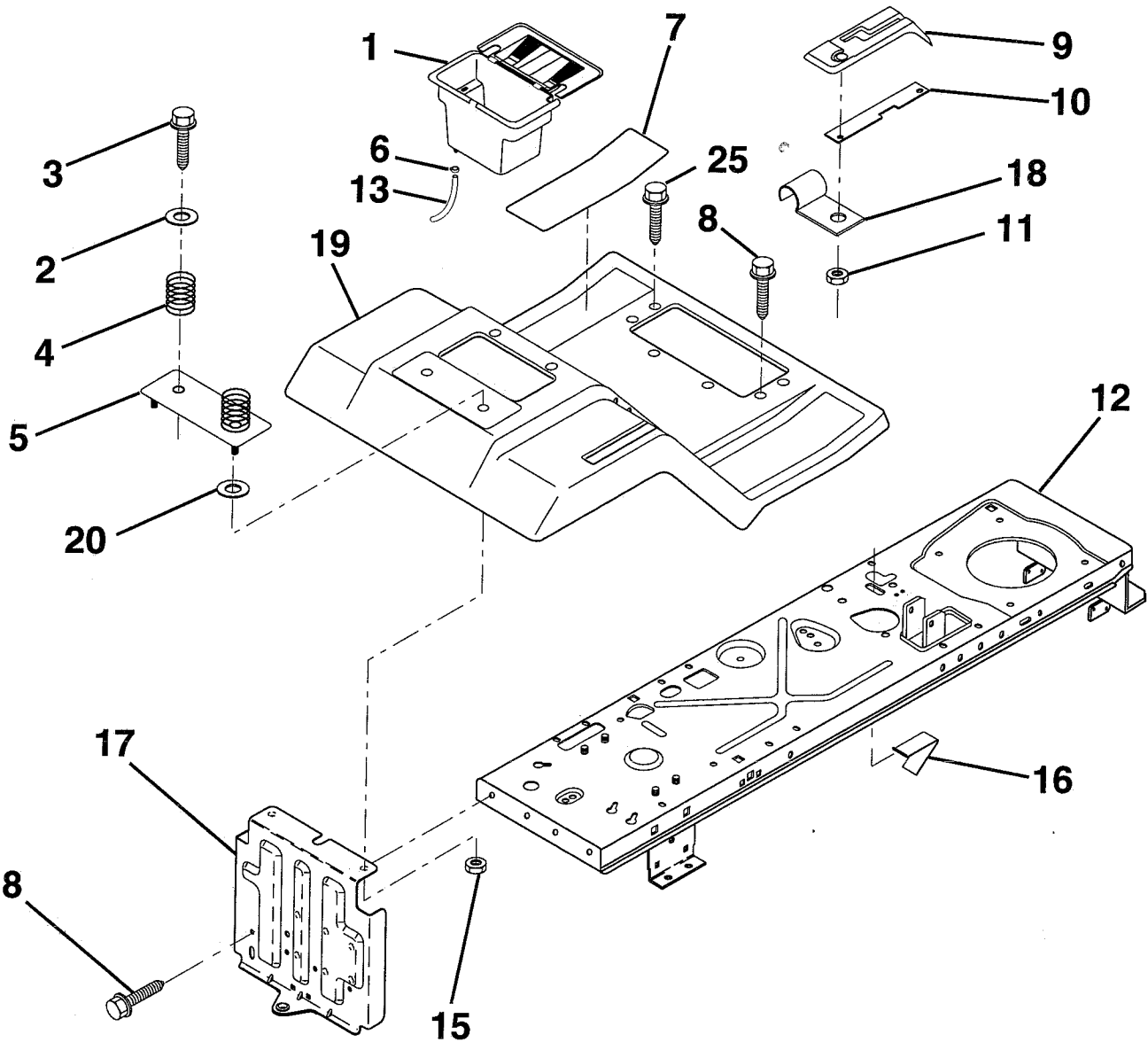
**NOTE:** All component dimensions given in U.S. inches.  
1 inch = 25.4 mm

HARDWARE SHOWN LARGER FOR EASIER IDENTIFICATION

# REPAIR PARTS

## TRACTOR -- MODEL NUMBER 6C1A7C

### FENDER / CHASSIS



KEY NO.	PART NO.	DESCRIPTION
1	129965	Case, Battery
2	19132012	Washer 13/32 x 1-1/4 x 12 Gauge
3	17490612	Screw, Hex Washer Head, Thd. Roll. 3/8-16 x 3/4
4	124181X	Spring, Compression, Seat
5	127115X505	Plate, Battery
6	109596X	Clamp, Hose
7	124144X	Pad, Footrest
8	17490512	Screw, Hex Washer Head, Thd. Roll. 5/16-18 x 3/4
9	126993X	Console, Shift Control
10	139783	Bar, Shift Lock

KEY NO.	PART NO.	DESCRIPTION
11	124346X	Nut, Self-Threading 3/16
12	145190	Assembly, Frame
13	109238X	Tube, Battery Drain
15	73640400	Nut, Hex, Keps 1/4-20
16	141736	Switch Actuator
17	140782	Drawbar
18	126470X	Clip, Insulated
19	140955X505	Fender/Footrest
20	19091413	Washer 9/32 x 7/8 x 13 Gauge
25	17190516	Screw Hex Wsh Thdrol 5/16-18 x 1

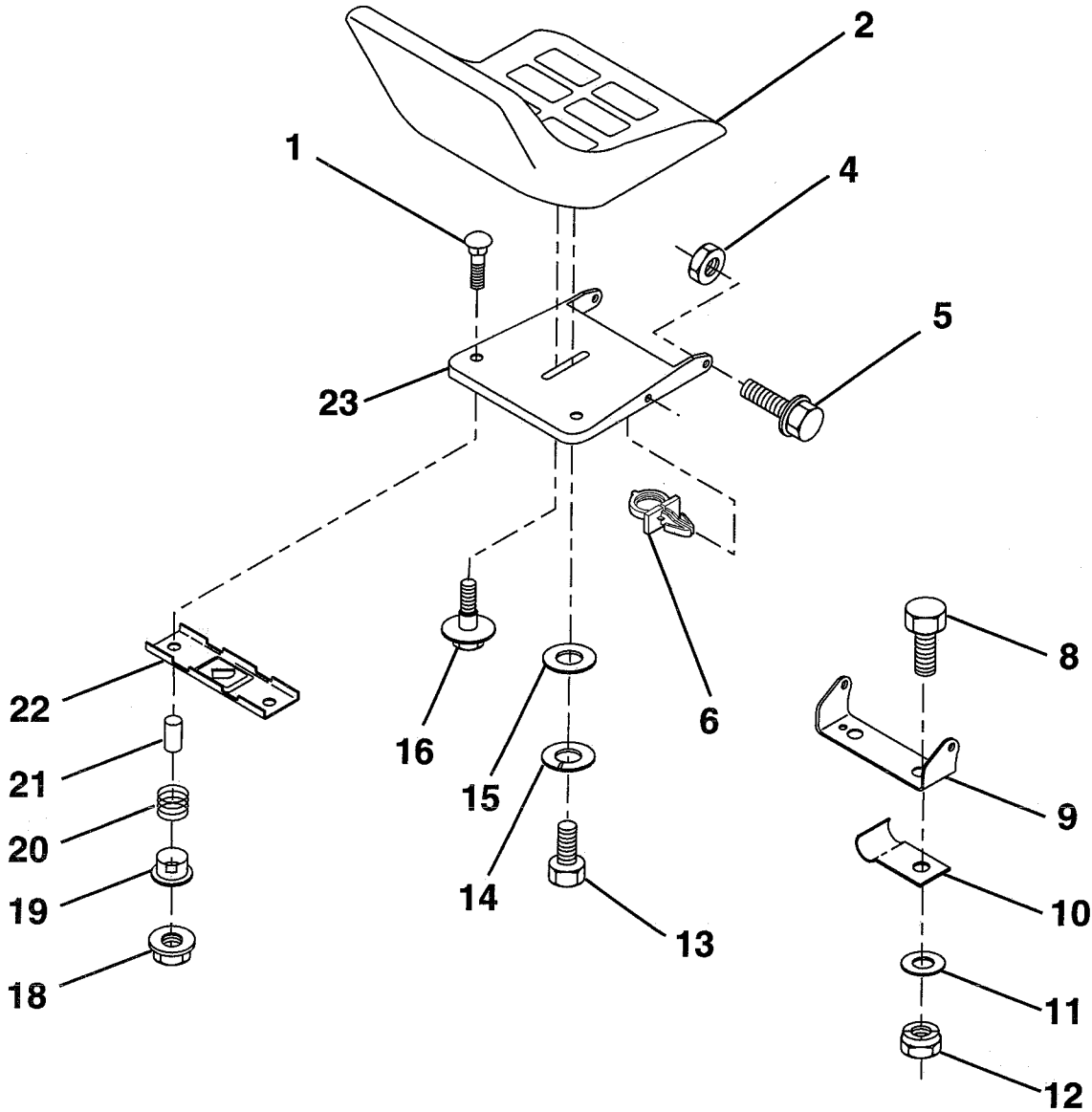
**NOTE:** All component dimensions given in U.S. inches.  
1 inch = 25.4 mm

HARDWARE SHOWN LARGER FOR EASIER IDENTIFICATION

# REPAIR PARTS

## TRACTOR -- MODEL NUMBER 6C1A7C

### SEAT



KEY NO.	PART NO.	DESCRIPTION
1	72050411	Bolt, Carriage 1/4-20 x 1-3/8
2	134647	Seat
4	73800500	Nut, Lock Hex W/Ins 5/16-18
5	139888	Bolt, Shoulder 5/16-18 UNC
6	145006	Clip, Push-In
8	74760616	Bolt, Hex, Fin 3/8-16 UNC x 3/4
9	140551	Bracket, Pivot, Seat
10	126471X	Clip, Insulated
11	19133210	Washer 13/32 x 2 x 10 Gauge
12	73800600	Nut, Lock Hex W/Wsh 3/8-16
13	74780814	Bolt, Fin Hex 1/2 - 13 x 7/8 Gr. 5

KEY NO.	PART NO.	DESCRIPTION
14	10040800	Washer Lock Hvy HLCL Spr. 1/2
15	19171912	Washer 17/32 x 13/16 x 12 Gauge
16	127018X	Bolt, Shoulder
18	123976X	Locknut, Hex, Large, Flange
19	121248X	Bushing, Snap
20	121250X	Spring, Compression
21	134300	Spacer, Split, Large .28 Id. x .96
22	121246X	Bracket, Switch, Mounting
23	140552	Pan, Seat

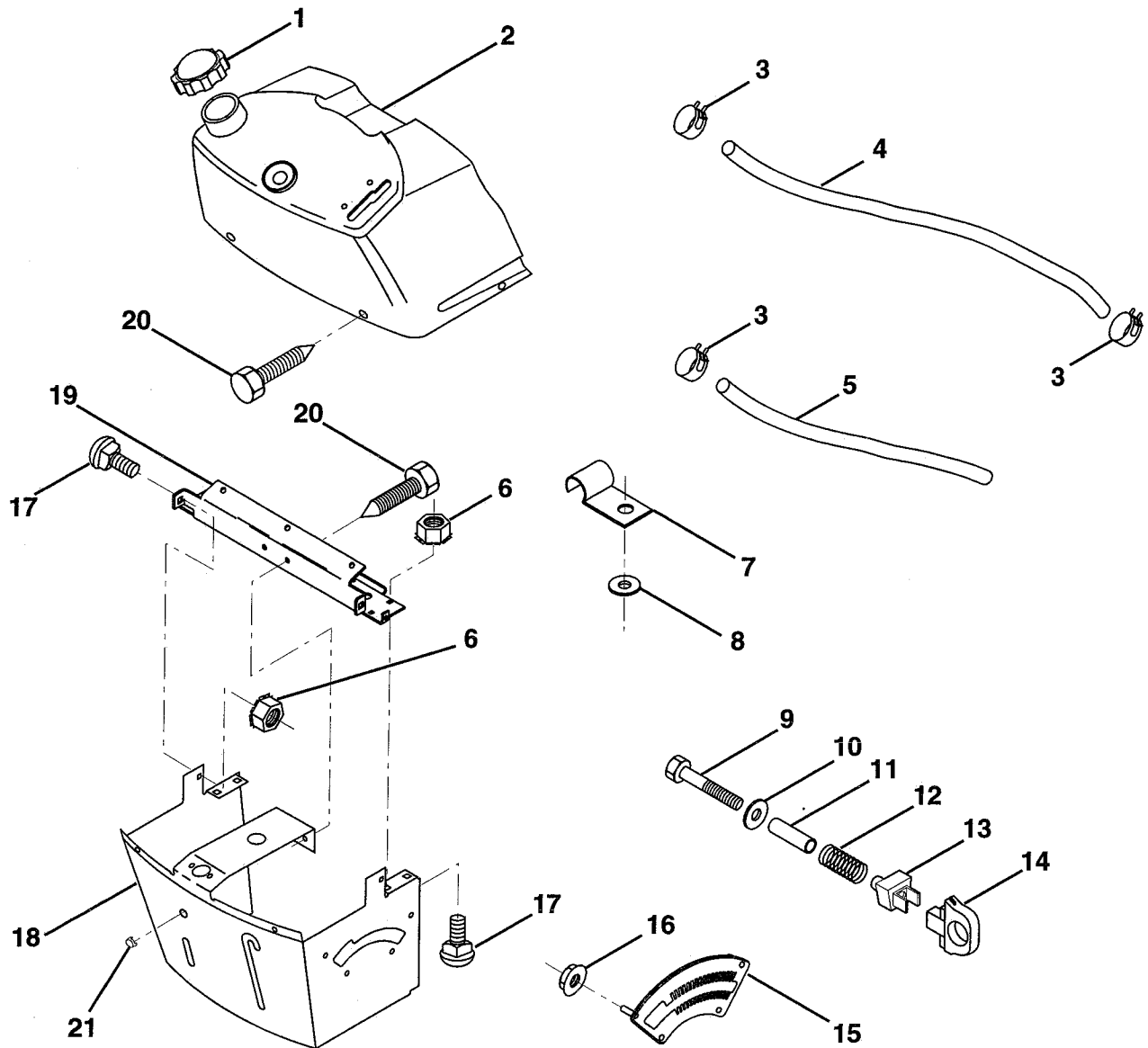
**NOTE:** All component dimensions given in U.S. inches.  
1 inch = 25.4 mm

HARDWARE SHOWN LARGER FOR EASIER IDENTIFICATION

# REPAIR PARTS

## TRACTOR -- MODEL NUMBER 6C1A7C

### DASH



KEY NO.	PART NO.	DESCRIPTION
1	141523	Cap, Fuel
2	138393	Assembly, Dash & Fuel Tank
3	123487X	Clamp, Hose
4	8544R	Line, Fuel
5	8548R	Line, Fuel
6	73640400	Nut, Hex, Keps 1/4-20
7	2751R	Clip, Fuel Line
8	19091216	Washer 9/32 x 3/4 x 16 Gauge
9	74760428	Bolt, Hex, Fin. 1/4-20 x 1-3/4
10	19091413	Washer 11/32 x 11/16 x 16 Gauge
11	121249X	Spacer, Split

KEY NO.	PART NO.	DESCRIPTION
12	3720R	Spring
13	126450X	Clip, Height Adjustment
14	126115X	Knob, Height Stop
15	122023X	Adjustment, Quadrant Height
16	124346X	Nut, Self-Threading 3/16-18
17	72110404	Bolt, Carriage 1/4-20 x 1/2 Grade 5
18	130745	Support Assembly, Dash
19	134744	Brace, Cross
20	17060408	Screw, Self-Tapping 1/4-20 x 1/2
21	134014	Plug, Dome

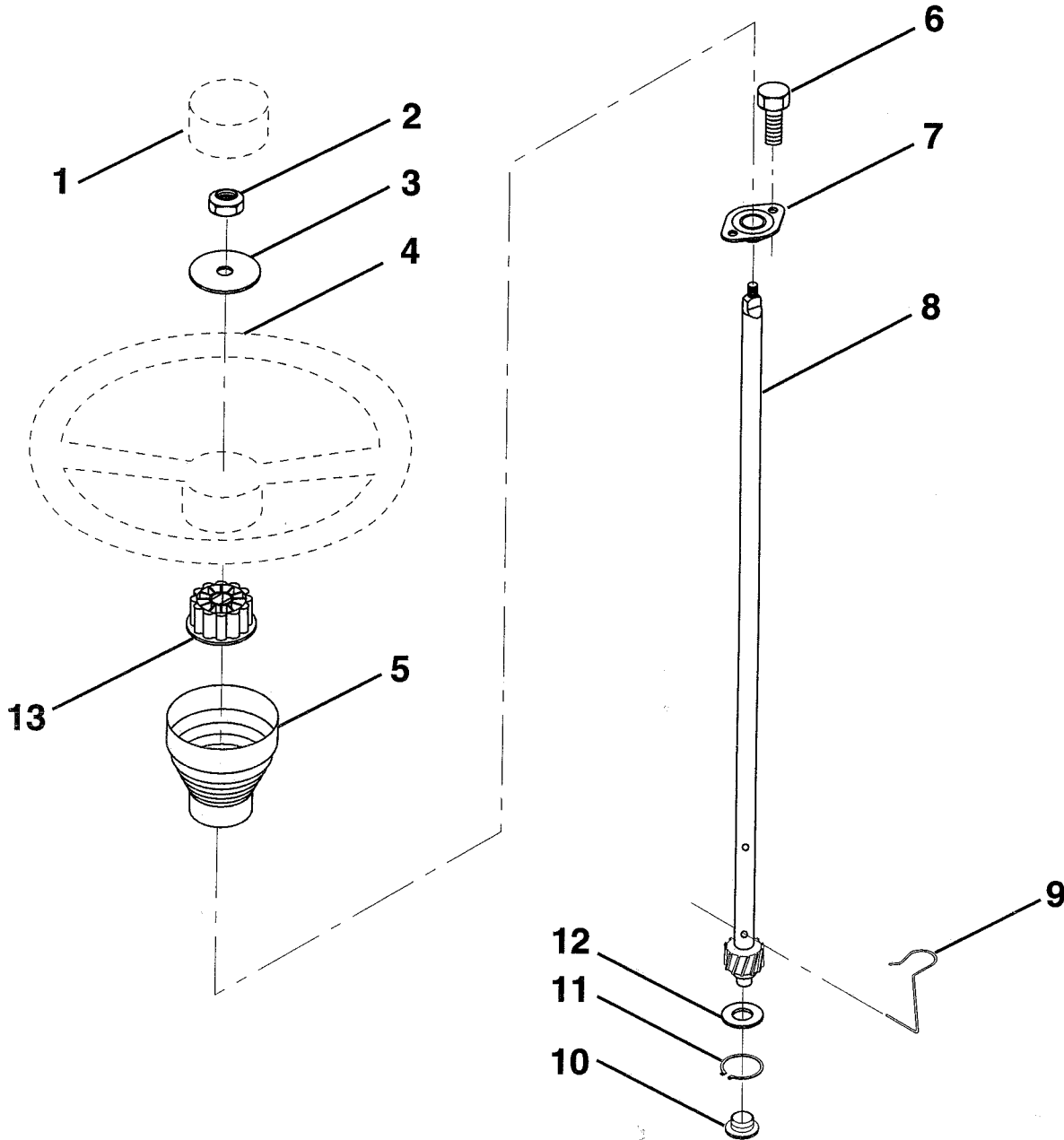
**NOTE:** All component dimensions given in U.S. inches.  
1 inch = 25.4 mm

HARDWARE SHOWN LARGER FOR EASIER IDENTIFICATION

# REPAIR PARTS

## TRACTOR -- MODEL NUMBER 6C1A7C

### STEERING WHEEL



KEY NO.	PART NO.	DESCRIPTION
1	133742	Insert, Steering Wheel
2	7810H	Locknut 3/8-24 UNF
3	19133808	Washer 13/32 x 2-3/8 x 8 Ga.
4	133741	Wheel, Steering
5	121897X	Sleeve, Steering
6	17431008	Screw, Hex Self-Tapping #10-16 x 1/2
7	102803X	Bushing, Steering
8	123651X	Shaft, Steering

KEY NO.	PART NO.	DESCRIPTION
9	124210X	Clip, Steering
10	123438X	Bushing, Lower, Steering
11	12000045	Ring, Retaining
12	19211616	Washer 21/32 x 1 x 16 Ga.
13	104820X	Adaptor, Steering Wheel

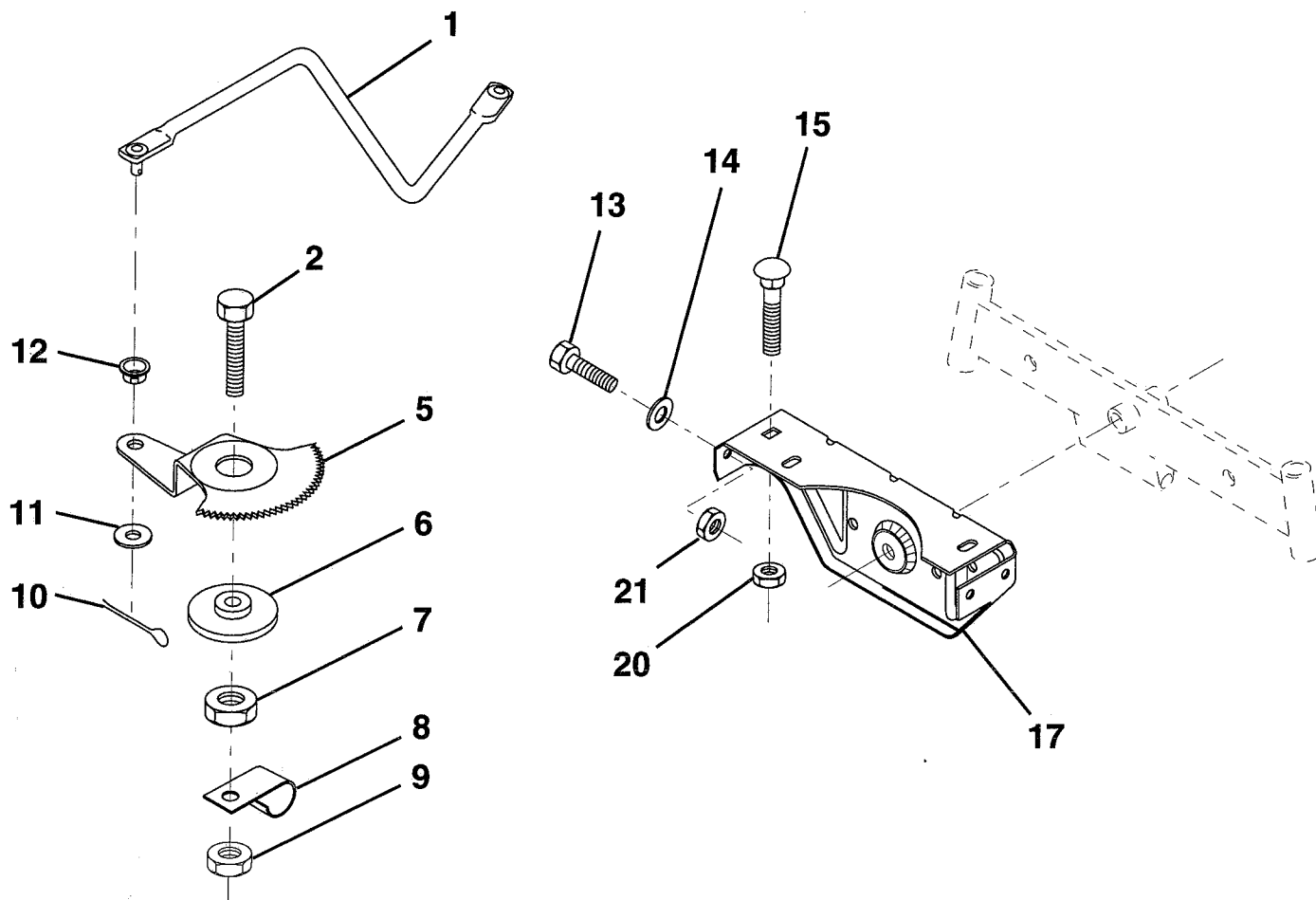
**NOTE:** All component dimensions given in U.S. inches  
1 inch = 25.4 mm

HARDWARE SHOWN LARGER FOR EASIER IDENTIFICATION

# REPAIR PARTS

## TRACTOR -- MODEL NUMBER 6C1A7C

### SECTOR GEAR / AXLE SUPPORT



KEY NO.	PART NO.	DESCRIPTION
1	132566	Link, Drag
2	74780828	Bolt, Hex, Fin 1/2-13 x 1-3/4
5	121926X	Gear, Sector
6	121927X	Bushing
7	73030800	Nut, Heavy, Hex, Top Lock 1/2-13 UNC
8	126472X	Clip, Wire
9	73680800	Nut, Crownlock 1/2-13
10	76020412	Pin, Cotter 1/8 x 3/4
11	19131316	Washer 13/32 x 13/16 x 16 Ga.

KEY NO.	PART NO.	DESCRIPTION
12	126847X	Bushing
13	74760512	Bolt, Hex 5/16-18 x 3/4
14	19111416	Washer 11/32 x 7/8 x 16 Ga.
15	72110606	Bolt, Carriage 3/8-16 UNC x 3/4
17	137096	Support, Front Axle
20	73680600	Nut, Crownlock 3/8-16
21	73680500	Nut, Crownlock 5/16-18

**NOTE:** All component dimensions given in U.S. inches  
1 inch = 25.4 mm

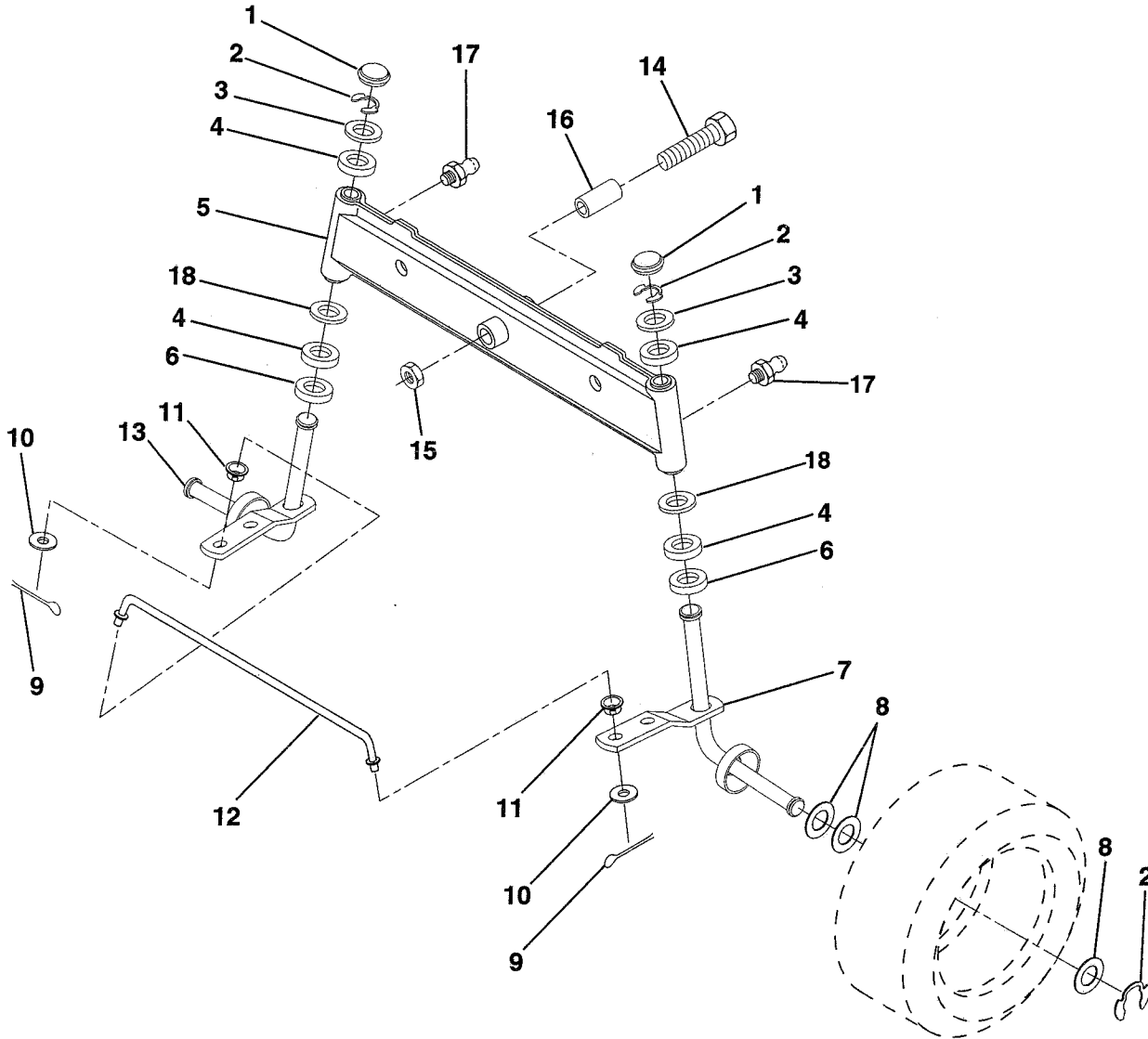
HARDWARE SHOWN LARGER FOR EASIER IDENTIFICATION



# REPAIR PARTS

## TRACTOR -- MODEL NUMBER 6C1A7C

### FRONT AXLE



KEY NO.	PART NO.	DESCRIPTION
1	121232X	Cap, Spindle
2	12000029	Ring, Klip
3	121748X	Washer 25/32 x 1-5/8 x 16 Gauge
4	3366R	Bearing
5	142033	Axle, Front
6	6266H	Bearing, Thrust
7	137062	Spindle Assembly, R.H.
8	121749X	Washer 25/32 x 1-1/4 x 16 Gauge
9	76020412	Pin, Cotter 1/8 x 3/4

KEY NO.	PART NO.	DESCRIPTION
10	19131316	Washer 13/32 x 13/16 x 16 Gauge
11	126847X	Bushing
12	130465	Rod, Tie
13	137061	Spindle Assembly, L.H.
14	74011056	Bolt Hex 5/8-11 x 3-1/2
15	73901000	Nut, Lock Flange 5/8-11
16	110438X	Spacer, Bearing Axle
17	6855M	Fitting Grease
18	19272016	Washer 27/32 x 1-1/4 x 16 Ga.

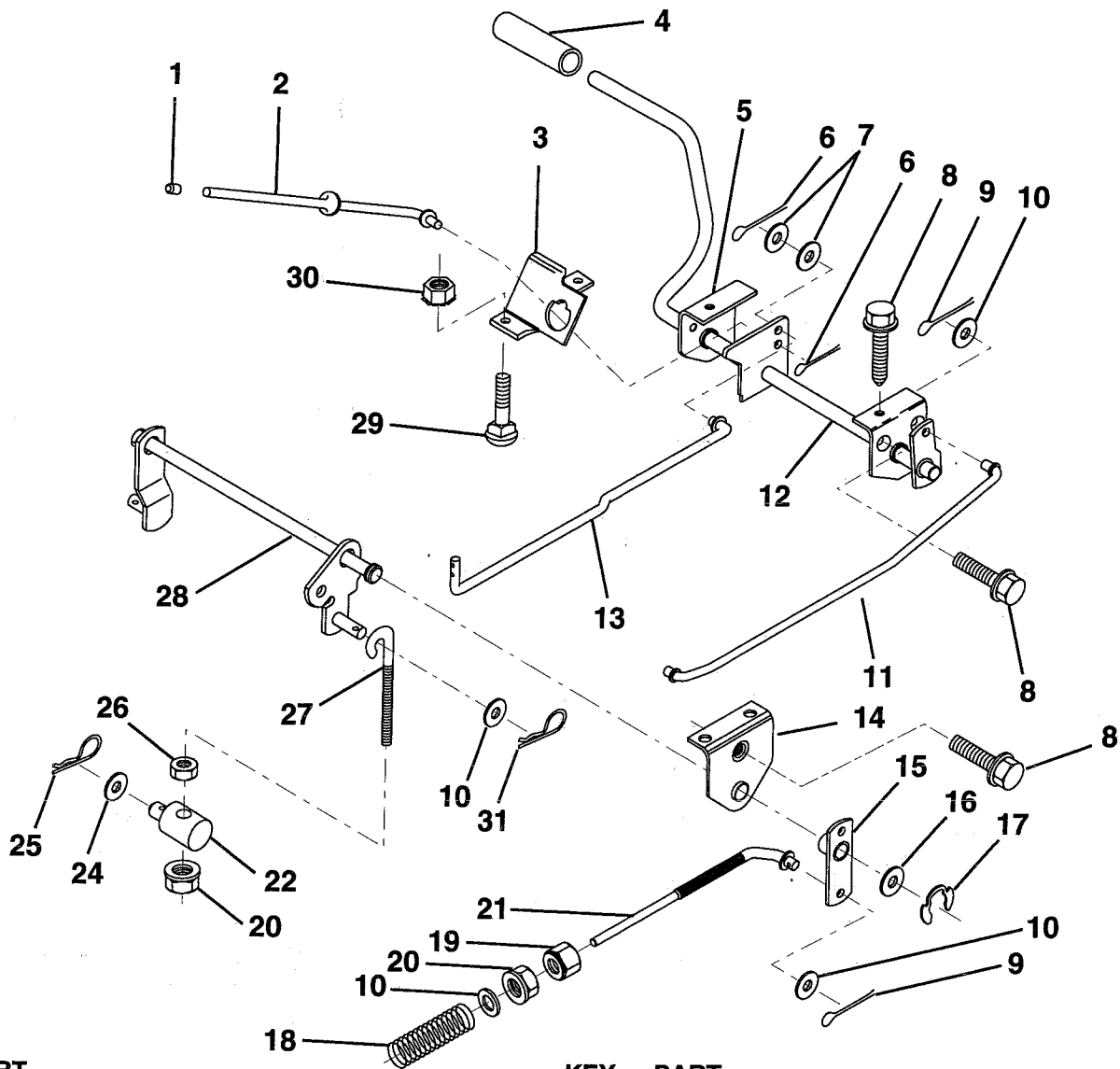
**NOTE:** All component dimensions given in U.S. inches  
1 inch = 25.4 mm

HARDWARE SHOWN LARGER FOR EASIER IDENTIFICATION

# REPAIR PARTS

## TRACTOR -- MODEL NUMBER 6C1A7C

### BRAKE / REAR MOWER LIFT ASSEMBLY



KEY NO.	PART NO.	DESCRIPTION	KEY NO.	PART NO.	DESCRIPTION
1	71673	Cap, Parking Brake	17	12000034	Ring, Klip
2	123436X	Rod, Parking Brake	18	106888X	Spring, Brake Rod
3	123437X	Bracket, Parking Brake	19	73350600	Nut, Hex, Jam 3/8-16 UNC
4	8156H	Cover, Pedal	20	73680600	Nut, Crownlock 3/8-16
5	122504X	Bracket, Pedal, Clutch LH	21	131460	Rod, Rear Brake
6	76020312	Pin, Cotter 3/32 x 3/4	22	144585	Trunnion, Lift
7	19131016	Washer 13/32 x 5/8 x 16 Gauge	24	19132012	Washer 13/32 x 1-1/4 x 12 Gauge
8	17490508	Screw, Hex, Thd. Roll. 5/16-18 x 1/2	25	4921H	Spring, Retainer
9	76020412	Pin, Cotter 1/8 x 3/4	26	73930600	Nut, Centerlock 3/8-16 UNC
10	19131316	Washer 13/32 x 13/16 x 16 Gauge	27	127369	Link, Threaded
11	123543X	Rod, Front Brake	28	140776	Assembly, Rear Mower Lift
12	139933	Assembly, Clutch/Brake Pedal	29	72110506	Bolt, Carriage 5/16-18 UNC x 3/4
13	123394X	Rod, Clutch	30	73510500	Nut, Keps 5/16-18 UNC
14	121978X	Bracket, Lift, Shaft	31	3146R	Retainer, Spring
15	133332	Assembly, Brake, Pivot, Arm			
16	19251816	Washer 25/32 x 1-1/8 x 16 Gauge			

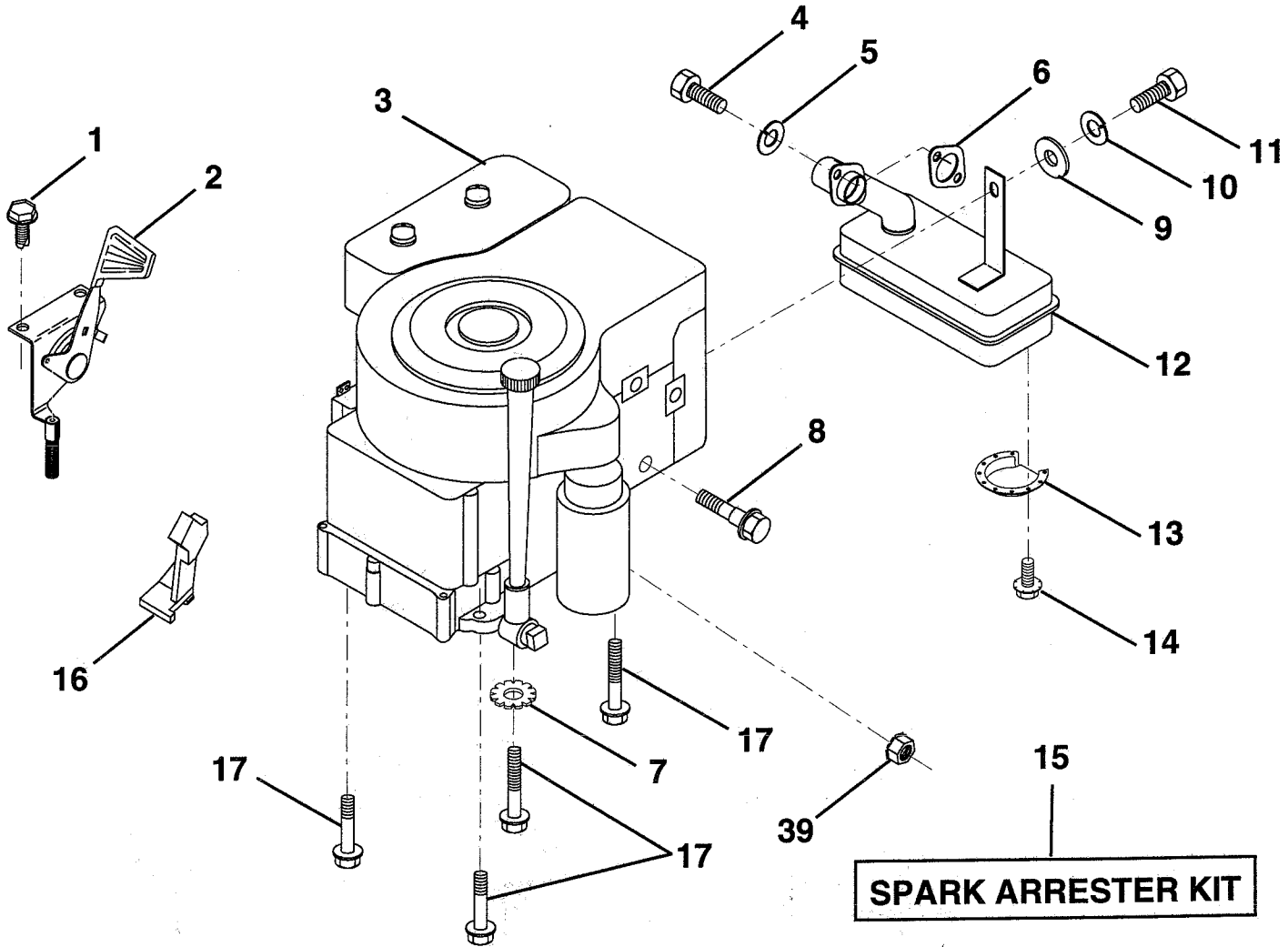
**NOTE:** All component dimensions given in U.S. inches  
1 inch = 25.4 mm

HARDWARE SHOWN LARGER FOR EASIER IDENTIFICATION

# REPAIR PARTS

## TRACTOR -- MODEL NUMBER 6C1A7C

### ENGINE / THROTTLE



KEY NO.	PART NO.	DESCRIPTION
1	17060408	Screw, Hex, Thrdcut 1/4-20 x 1/2
2	133025	Control, Throttle
3	-----	Engine, B&S, 11 HP, Model #28C707
4	71070512	Screw, Hex Hd
5	10040500	Washer, Lock, Hvy Hlcl Spring 5/16
6	125593X	Gasket, Exhaust
7	11050600	Washer, Lock Ext. Tooth 3/8
8	121094X	Bolt, Shoulder 5/16 UNC
9	19101216	Washer 5/16 x 3/4 x 16 Gauge
10	10040400	Washer, Lock, Hvy Hlcl Spring 1/4

KEY NO.	PART NO.	DESCRIPTION
11	74760416	Bolt, Hex, Fin 1/4-20 X 1
12	137437	Muffler
13	101326L	Deflector Muffler
14	17030808	Screw Spiderloc 8 x 1/2
15	137180	Kit, Spark Arrester (Optional)
16	127951	Stop, Choke
17	17490624	Screw, Hex Wsh Hd, Thdroll. 3/8-16 x 1-1/2
39	73510400	Nut Keps Hex 1/4-20

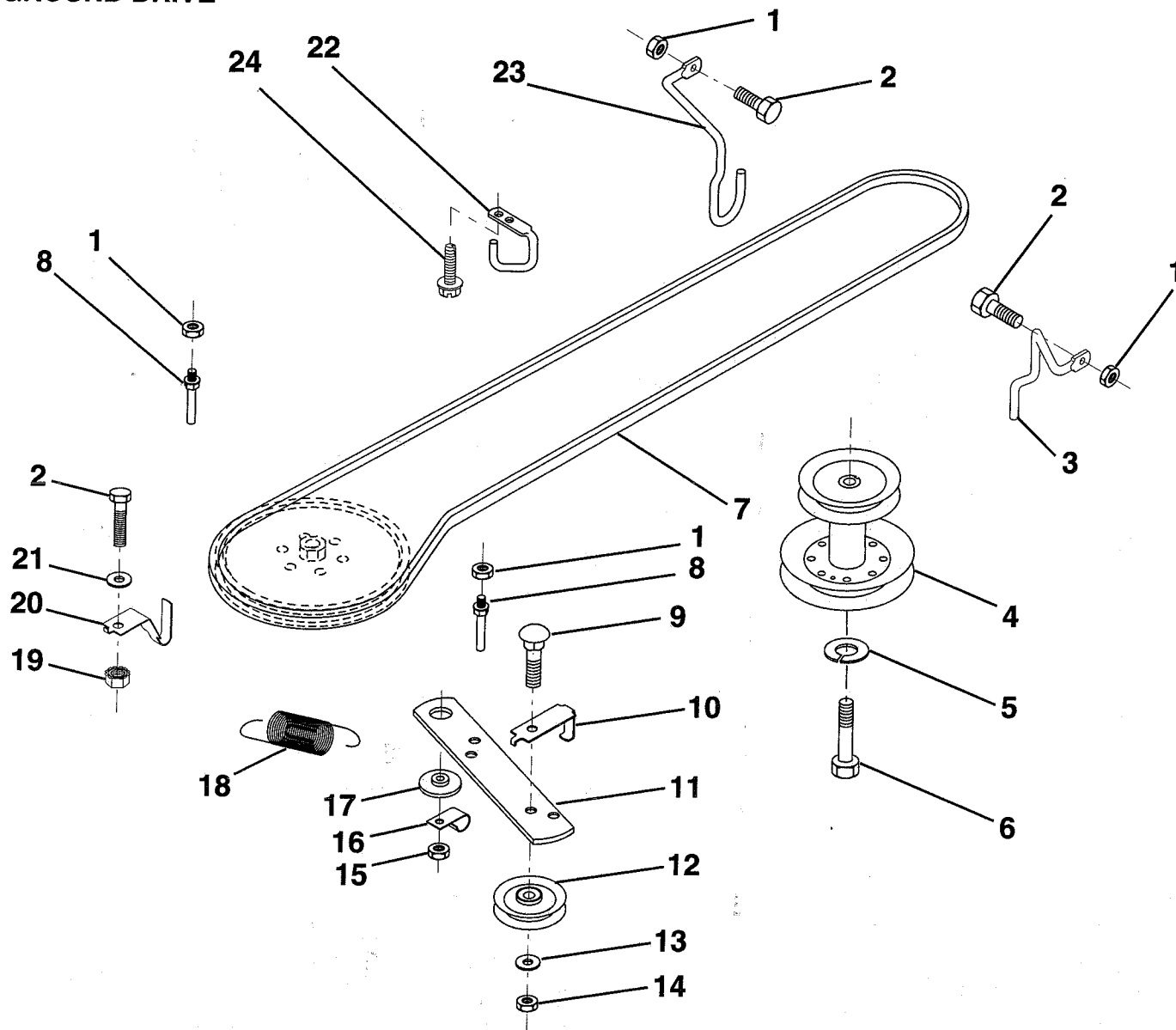
**NOTE:** All component dimensions given in U.S. inches  
1 inch = 25.4 mm

HARDWARE SHOWN LARGER FOR EASIER IDENTIFICATION

# REPAIR PARTS

## TRACTOR - - MODEL NUMBER 6C1A7C

### GROUND DRIVE



KEY NO.	PART NO.
1	73680500
2	74760512
3	141342
4	138029
5	10040700
6	71170744
7	124525X
8	123405X
9	72140612
10	123396X
11	140911
12	123674X
13	19131316

#### DESCRIPTION

1	Nut, Lock Hex W/Ins 5/16-18
2	Bolt, Hex 5/16-18 UNC x 3/4
3	Keeper, Mwr Drive Belt, Engi., R.H.
4	Pulley, Engine
5	Washer, Lock, Hvy Hlcl Spring 7/16
6	Bolt, Hex, 7/16-20 x 2-3/4 Grade 5
7	Traction, V-Belt Drive
8	Keeper, T/A Ground Drive Belt
9	Bolt, Carriage 3/8-16 UNC x 1-1/2
10	Keeper, Ground Drive Belt, Idler
11	Arm, Ground Drive Clutch
12	Idler, Flat
13	Washer 13/32 x 13/16 x 16 Gauge

#### KEY NO. PART NO.

14	73930600
15	73680600
16	126471X
17	122052X
18	131459
19	73510500
20	139919
21	19111016
22	123404X
23	140916
24	17720408

#### DESCRIPTION

14	Nut, Centerlock 3/8-16 UNC
15	Nut, Lock Hex w/Wsh 3/8-16
16	Clip, Insulated
17	Spacer, Retainer
18	Spring, Extension
19	Nut, Keps 5/16-18 UNC
20	Keeper, T/A Ground Drive Belt
21	Washer 11/32 x 5/8 x 16 Gauge
22	Keeper, Ground Drive Belt, Frame
23	Keeper, Mower Drive Belt, L.H.
24	Screw, Thdcut 1/4-20 x 1/2

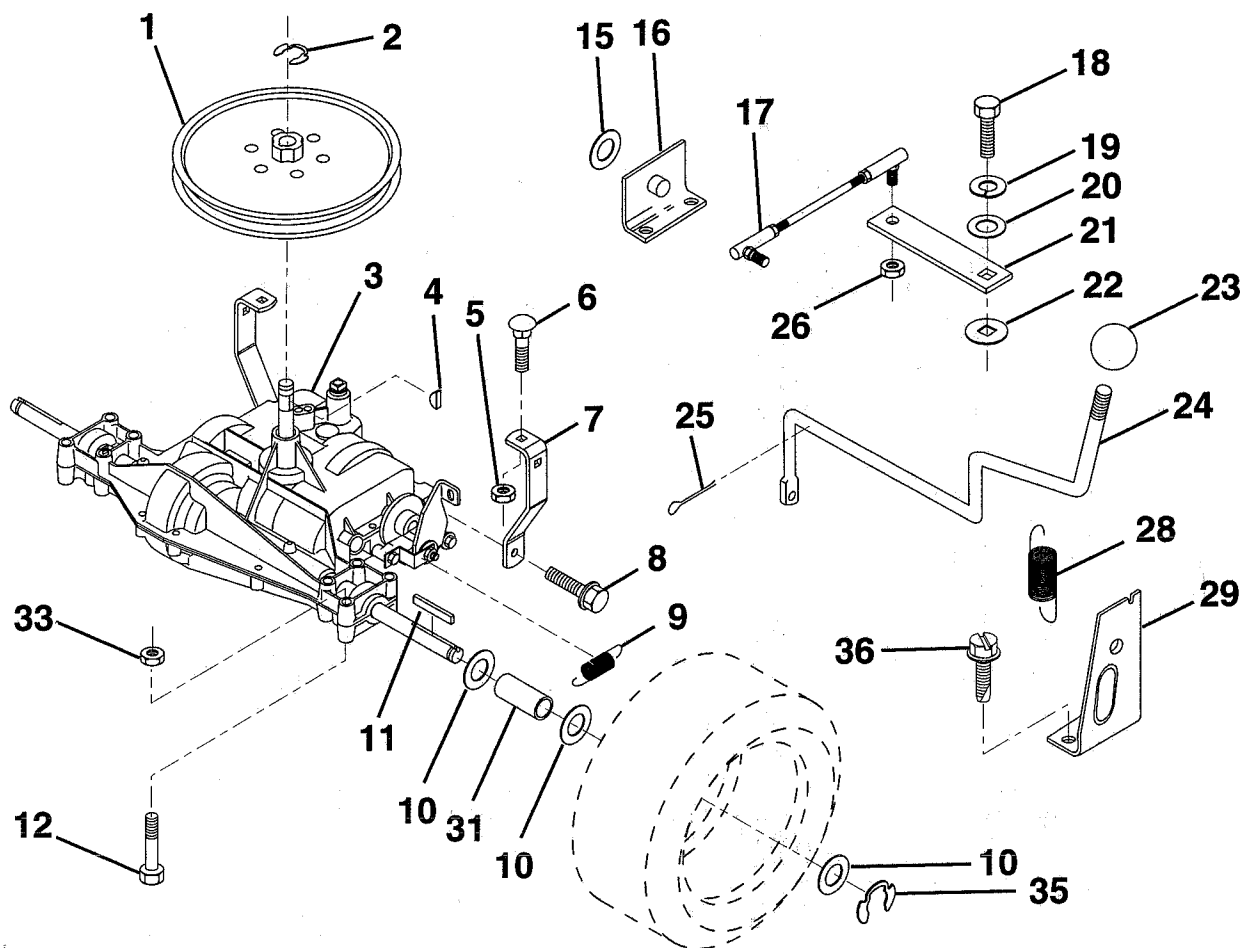
**NOTE:** All component dimensions given in U.S. inches  
1 inch = 25.4 mm

HARDWARE SHOWN LARGER FOR EASIER IDENTIFICATION

# REPAIR PARTS

## TRACTOR -- MODEL NUMBER 6C1A7C

### TRANSAXLE



KEY NO.	PART NO.	DESCRIPTION
1	123385X	Pulley
2	12000028	Ring, Retainer
3	142594	Transaxle, Dana, Model No. 4360-77
4	2228M	Key, Woodruff #9
5	73680500	Nut, Lock Hex W/Ins 5/16-18
6	72140506	Bolt, Carriage 5/16-18 UNC x 3/4
7	123378X	Strap, Torque
8	17490512	Screw 5/16-18 x 3/4
9	146682	Spring, Brake
10	121749X	Washer 25/32 x 1-1/4 x 16 Gauge
11	123583X	Key, Square
12	74760644	Bolt Fin Hex 5/16-18 x 2-1/2
15	19171616	Washer 17/32 x 16 Ga.
16	124600X	Support, Handle, Shift, L.H.
17	123632X	Link, Shift
18	74550412	Bolt, Hex, Fin. 1/4-28 UNF x 3/4 Grade 8

KEY NO.	PART NO.	DESCRIPTION
19	10040400	Washer, Lock 1/4
20	19091210	Washer 9/32 x 3/4 x 10 Gauge
21	123484X	Arm, Shift
22	105701X	Washer, Shift Plate
23	106933X	Knob, Shift Control
24	128215	Handle, Rod
25	76020416	Pin, Cotter 1/8 x 1
26	73810500	Nut, Hex, Nylon 5/16-24 UNF
28	128085	Spring, Extension
29	128084	Support, Handle, Shift, R.H.
31	109502X	Spacer, Split
33	73680600	Nut, Lock Hex W/Wsh 3/8-16 UNC
35	12000001	E-Ring
36	17720408	Screw, Thdcut 1/4 x 20 x 1/2

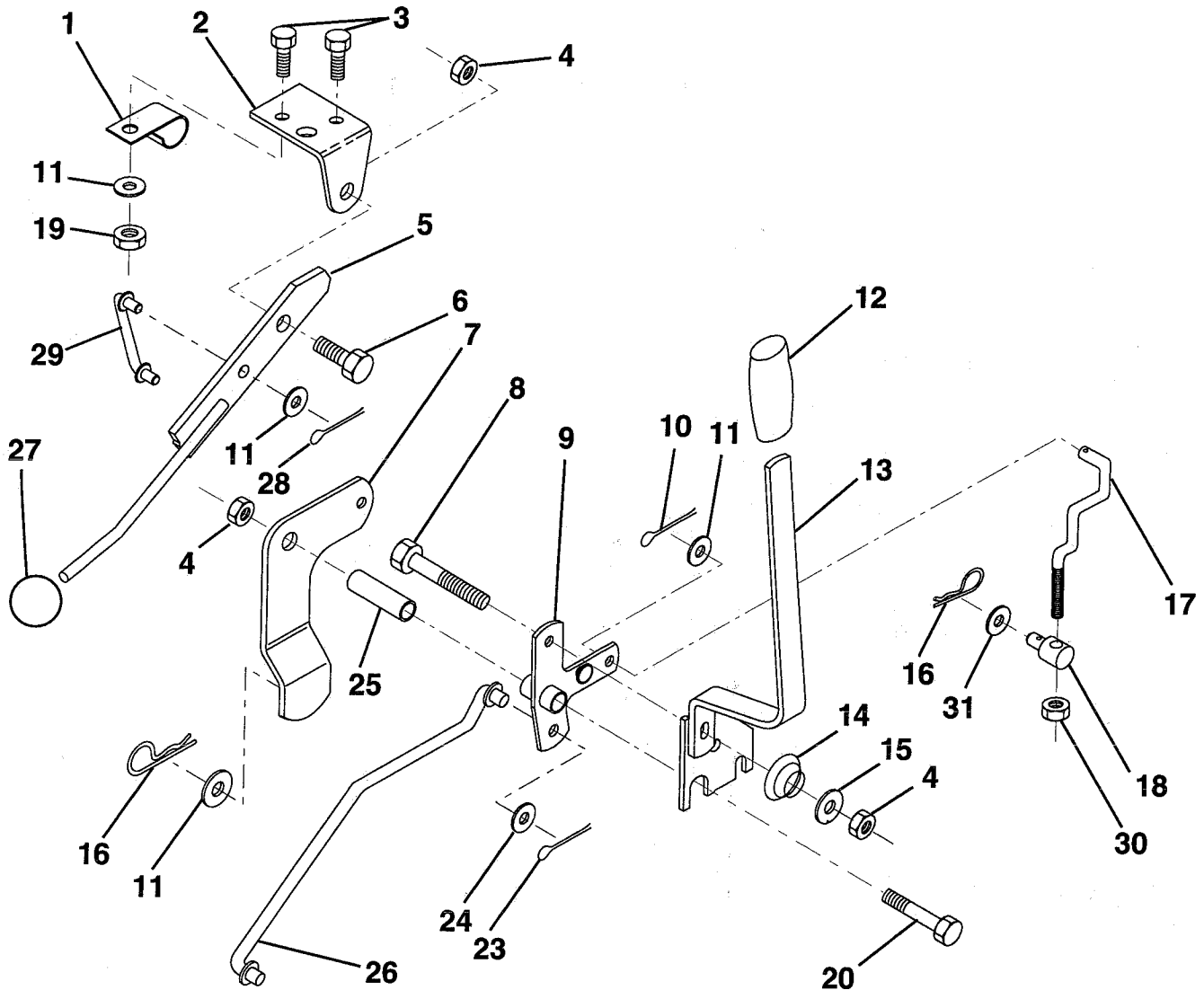
**NOTE:** All component dimensions given in U.S. inches  
1 inch = 25.4 mm

HARDWARE SHOWN LARGER FOR EASIER IDENTIFICATION

# REPAIR PARTS

## TRACTOR -- MODEL NUMBER 6C1A7C

### MOWER LIFT LEVER



KEY NO.	PART NO.	DESCRIPTION
1	126470X	Clip, Insulated
2	122018X	Bracket, Mower Clutch
3	71110408	Bolt, Hex, Fin 1/4-20 UNC x 1/2 Grade 5
4	73680600	Nut, lock Hex W/Wsh 3/8-16
5	145187	Assembly, Clutch Lever
6	106451X	Bolt, Shoulder
7	135371	Assembly, Mower Clutch Arm
8	74760636	Bolt, Hex 3/8-16 UNC x 2-1/4
9	121930X	Assembly, Bellcrank, Lift
10	76020412	Pin, Cotter 1/8 x 3/4
11	19131316	Washer 13/32 x 13/16 x 16 Gauge
12	131861	Sleeve, Handle
13	139352	Assembly, Lift Handle
14	123496X	Spring, Compression
15	19131212	Washer 13/32 x 3/4 x 12 Gauge

KEY NO.	PART NO.	DESCRIPTION
16	4921H	Retainer, Spring
17	127359	Link, Front Lift
18	142028	Trunnion, Threaded 3/8-16
19	73680400	Nut, Crownlock 1/4-20
20	74760644	Bolt, Hex, Fin. 3/8-16 UNC x 2-3/4
23	76020416	Pin, Cotter 1/8 x 1
24	19171616	Washer 17/32 x 1 x 16 Gauge
25	121933X	Tube, Spacer
26	141470	Rod, Mower Lift
27	106932X	Knob, Rd
28	76020312	Pin, Cotter 3/32 x 3/4
29	131655	Link, Mower Clutch
30	73350600	Nut, Hex jam 3/8-16
31	19132012	Washer 13/32 X 1-1/4 X 12 Ga.

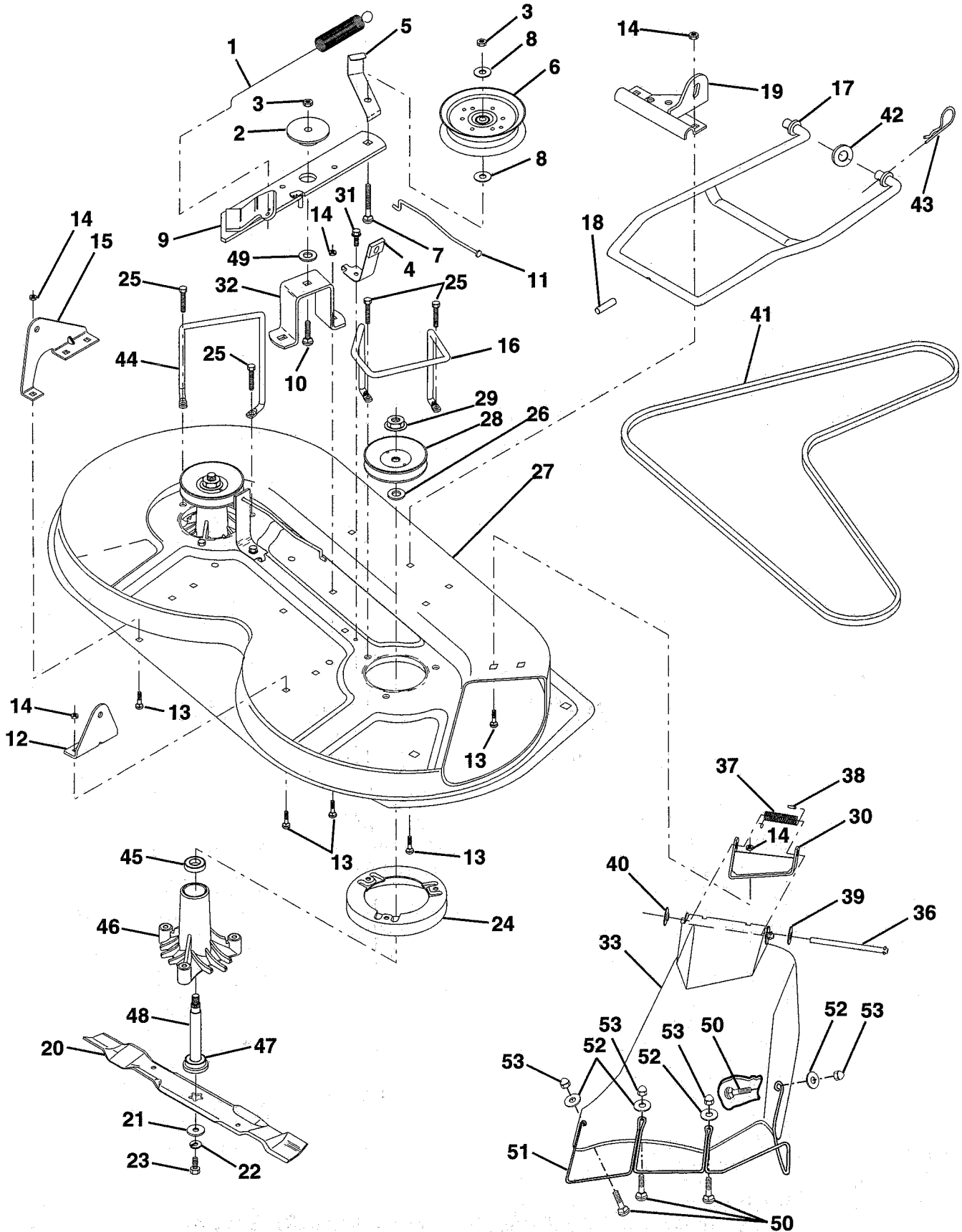
**NOTE:** All component dimensions given in U.S. inches  
1 inch = 25.4 mm

HARDWARE SHOWN LARGER FOR EASIER IDENTIFICATION

# REPAIR PARTS

## TRACTOR -- MODEL NUMBER 6C1A7C

### MOWER DECK



# REPAIR PARTS

## TRACTOR - - MODEL NUMBER 6C1A7C

### MOWER DECK

KEY NO.	PART NO.	DESCRIPTION
1	140064	Spring, Mower Clutch
2	122052X	Spacer, Retainer
3	73680600	Nut, Lock Hex W/Wsh 3/8-16
4	130840	Assembly, Brake
5	131251	Guide, Belt Idler
6	121316X	Idler, Flat
7	72110616	Bolt, Carriage 3/8-16 x 2 Grade 5
8	19131410	Washer 13/32 x 7/8 x 10 Gauge
9	127744	Assembly, Mower Idler Arm
10	72140610	Bolt, Carriage 3/8-16 UNC x 1-1/4
11	130841	Rod, Brake
12	127356	Bracket, Rear Lift, R.H.
13	72140506	Bolt, Carriage 5/16-18 UNC x 5/8
14	73680500	Nut, Lock Hex W/Ins. 5/16-18
15	127357	Bracket, Rear Lift, L.H.
16	140093	Keeper, R.H.
17	128508	Stabilizer, Mower Link
18	128511	Pin, Drive
19	127380	Bracket, Stabilizer Link
20	138496	Blade
21	140296	Washer, Hard
22	10030600	Washer, Lock, Heavy 3/8
23	850857	Bolt 3/8-24 x 1-1/4 Grade 8
24	140329	Stripper
25	138776	Screw, Thdrol Hex Head
26	129963	Washer .150 Thick
27	129983	Housing, Mower
28	129207	Pulley, Mandrel
29	137266	Nut, Flangelock 9/16
30	136631	Bracket, Deflector
31	17490508	Screw, Hex Washer Head, Thd. Roll. 5/16-18 x 1/2
32	122051X	Arm, Support Idler, Mower
33	139083	Shield, Deflector
36	121980X	Rod, Hinge
37	123713X	Spring, Torsion Deflector
38	105304X	Cap, Sleeve
39	19111016	Washer 11/32 x 5/8 x 16 Gauge
40	110452X	Nut, Push
41	131264	V-Belt
42	19171616	Washer 11/32 x 5/8 x 16 Gauge
43	3146R	Clip, Hairpin
44	140608	Keeper, L.H.
45	110485X	Bearing
46	128774	Housing, Mandrel, Vented
47	129895	Bearing
48	137645	Shaft, Mandrel (Includes Key Number 47)
49	133943	Washer, Hardened
50	M720305016	Bolt, Rd. Hd. Sqnk M5 x 0.8 x 16
51	136383	Guard, Dftr. Mwr. 36" TUV
52	19070718	Washer
53	M730705000	Nut, Acorn M5 x 0.8
--	130794	Mandrel Assembly (Includes Key Numbers 21-23, 26, 29 and 45-48)
--	144973	Deck, Mower Complete

**NOTE:** All component dimensions given in U.S. inches  
1 inch = 25.4 mm

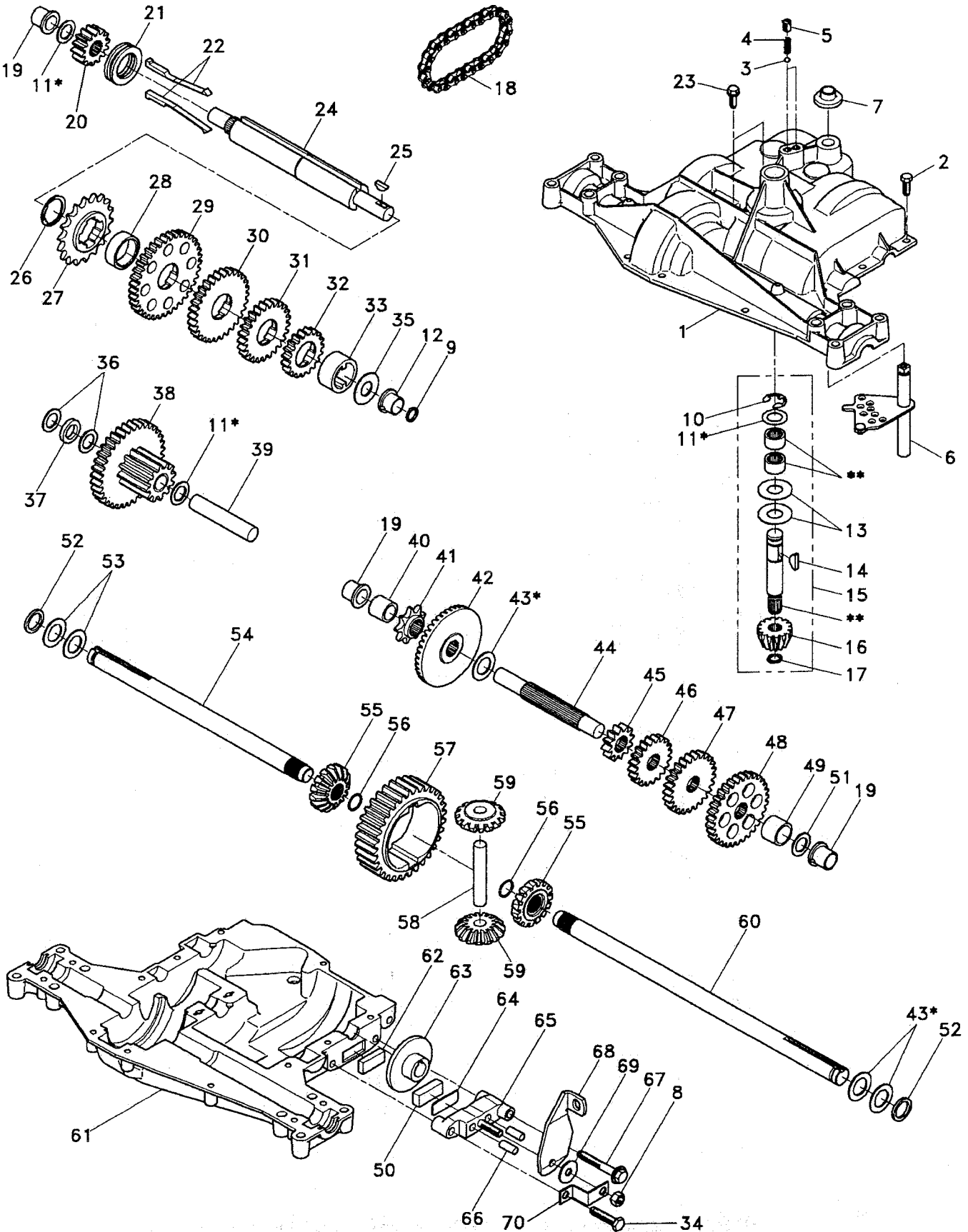
HARDWARE SHOWN LARGER FOR EASIER IDENTIFICATION



# REPAIR PARTS

## TRACTOR -- MODEL NUMBER 6C1A7C

### DANA TRANSAXLE - MODEL NUMBER 4360-77



# REPAIR PARTS

## TRACTOR - - MODEL NUMBER 6C1A7C

### DANA TRANSAXLE - MODEL NUMBER 4360-77

KEY PART NO. NO.	DESCRIPTION	KEY PART NO. NO.	DESCRIPTION
1 142671	Housing, Upper	39 124639X	Shaft, Idler
2 2274J	Screw, Self-Tapping, Large 1/4-20 x .734	40 120472X	Spacer .635 x .875 x .755
3 134400	Ball, Detent	41 105928X	Sprocket, 9 Teeth
4 105904X	Spring, Detent	42 110084X	Gear, Bevel, 42 Teeth
5 105905X	Screw, Set	43 134394	* Assembly, Kit, Shim .750 Shaft
6 138235	Kit, Shifter Assembly	44 120473X	Shaft, Drive
7 134399	Boot, Shifter	45 142678	Gear, Spur, 12 Teeth
8 73810500	Locknut 5/16-24	46 120407X	Gear, Spur, 20 Teeth
9 143045	Seal, Oil	47 106589X	Gear, Spur, 25 Teeth
10 142672	Ring, Retaining	48 105937X	Gear, Spur, 31 Teeth
11 134793	* Assembly, Kit, Shim .625 Shaft	49 120523X	Spacer .781 x 1.00 x .750
12 143051	Bearing, Flange	50 120951X	Puck, Friction
13 120415X	Washer, Plain .632 x 1.38 x .046	51 2226J	Washer, Plain .632 x 1.00 x .060
14 142674	Key, Woodruff, #9	52 134401	Washer, Neoprene
15 138234	Assembly, Kit, Input Shaft	53 2264J	Washer, Plain .758 x 1.25 x .031
16 110078X	Pinion, Bevel, 14 Teeth	54 120474X	Axle, L.H.
17 105909X	Ring, Retaining	55 110081X	Gear, Miter, 15 Teeth
18 105910X	Chain, 24 Pitches	56 105941X	Ring, Retaining
19 105911X	Bearing, Flange	57 110071X	Gear, Spur, 32 Teeth
20 142675	Gear, Spur, 14 Teeth	58 120952X	Shaft, Cross
21 138246	Collar, Clutch	59 110082X	Gear, Miter, 15 Teeth
22 138236	Assembly, Kit, Clutch Keys	60 120475X	Axle, R.H.
23 134791	Screw, Tapping w/Sealer	61 142680	Housing, Lower
24 142676	Shaft, Intermediate	62 120961X	Puck, Friction
25 2244J	Key, Woodruff, #61	63 7294J	Disc, Brake
26 105916X	Ring, Retaining	64 108989X	Spacer
27 120470X	Sprocket, 18 Teeth	65 120953X	Jaw, Brake
28 110070X	Spacer	66 120954X	Pin, Dowel
29 142677	Gear, Spur, 37 Teeth	67 134799	Screw, Self-Tapping, Large 5/16-18 x 2.25
30 120405X	Gear, Spur, 30 Teeth	68 138244	Lever, Actuating
31 108980X	Gear, Spur, 25 Teeth	69 108996X	Washer, Plain .321 x 1.00 x .055
32 134796	Gear, Spur, 19 Teeth	70 120956X	Bracket, Anti-Rotation
33 138239	Spacer 1.133 x 1.50 x .750	71 120416X	Grease
34 106596X	Screw, Self-Tapping, Large 5/16-18 x 1.44		
35 105925X	Washer, Plain .640 x 1.37 x .061		
36 2232J	Washer, Plain .632 x 1.00 x .026		
37 108978X	Spacer .630 x 1.00 x .169		
38 110079X	Assembly, Gear, Combination of 12 Teeth and 35 Teeth		

\* Use in combinations to maintain proper clearances

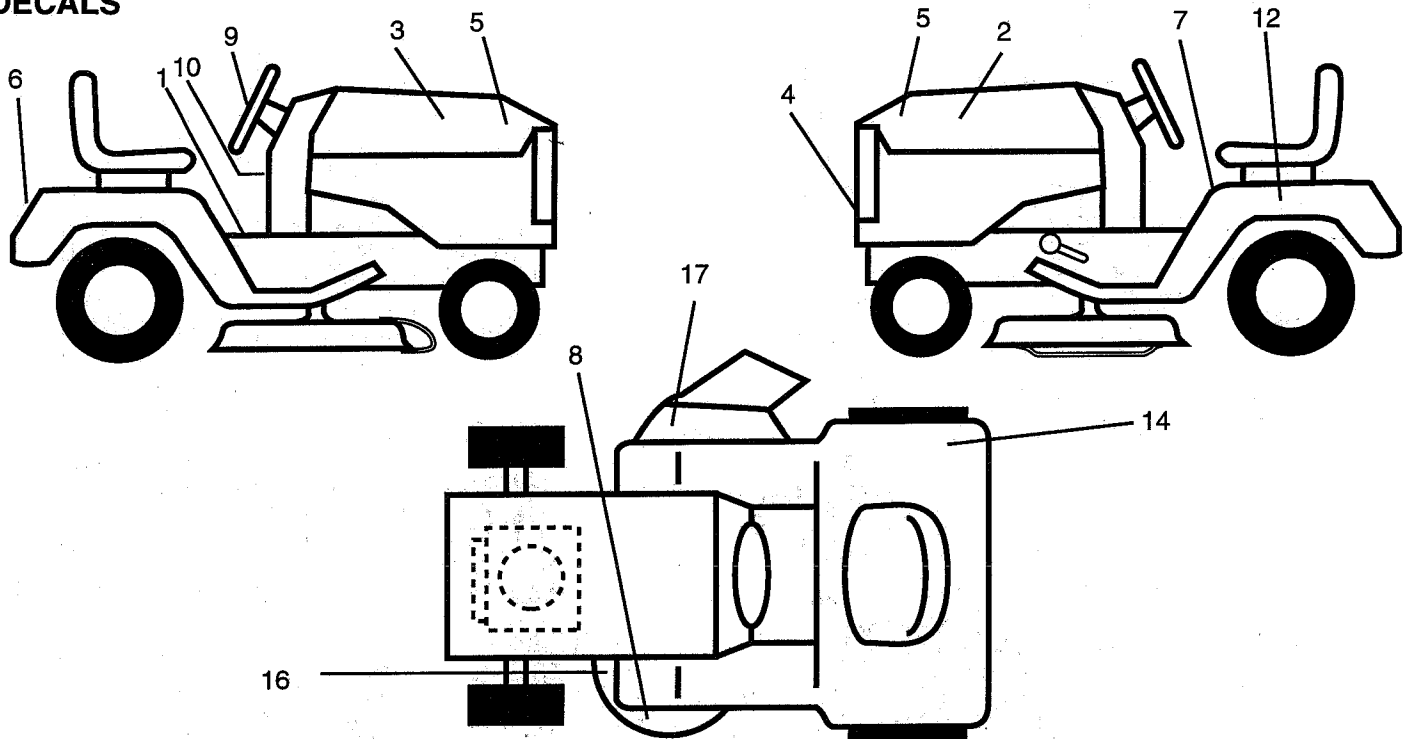
\*\* Order Key No. 15

**NOTE:** All component dimensions given in U.S. inches  
1 inch = 25.4 mm

# REPAIR PARTS

## TRACTOR - - MODEL NUMBER 6C1A7C

### DECALS



#### KEY PART NO. NO.

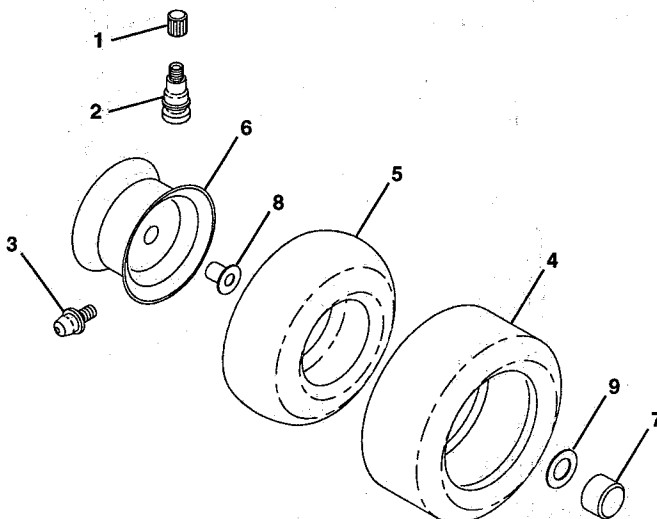
KEY PART NO. NO.	DESCRIPTION
1 145545	Decal, Inst. Oper. Sym.
2 141744	Decal, Stripe, Hood, L.H.
3 141743	Decal, Stripe, Hood, R.H.
4 132627	Decal, Grill
5 139708	Decal, Hood HP
6 132628	Decal, Fender
7 145498	Decal, Read Owner's Manual, Sym.
8 135013	Decal, Deck Enviro.
9 127075	Decal, Wheel Steering
10 145437	Decal, Europ, Stand. Ce.

#### KEY PART NO. NO.

KEY PART NO. NO.	DESCRIPTION
12 145005	Decal, Caution, Battery
14 125690X	Decal 100 DbA
16 145494	Decal, International, Cut Finger
17 136830	Decal, V-Belt, Schem.
-- 138311	Decal, Handle, Lift
-- 147193	Manual, Operator's (Euro.)
-- 147194	Manual, Operator's (Scandi.)
-- 147704	Manual, Repair Parts (Eng/Fr)

Available accessories are not included with your tractor:  
 -- MP36 Mulcher Kit

### WHEELS & TIRES



#### KEY PART NO. NO.

KEY PART NO. NO.	DESCRIPTION
1 59192	Cap, Valve
2 65139	Stem, Valve
3 278H	Fitting, Grease (Front Only)
4 124142X	Tire, Front
5 59904	Tire, Rear
	8134H
	Tube, Tire, Front (Optional, Service Item Only)
	Tube, Tire, Rear (Optional, Service Item Only)
6 122394X427	Rim Assembly, Front
140325X427	Rim Assembly, Rear
7 104757X	Cap, Axle
8 9040H	Bearing, Flange (Front Only)
9 121748X	Washer, Axle Cap
-- 144334	Sealant, Tire (10 oz. Tube)

**NOTE:** All component dimensions given in U. S. inches  
 1 inche = 25.4 mm