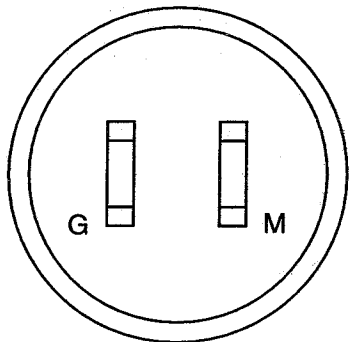
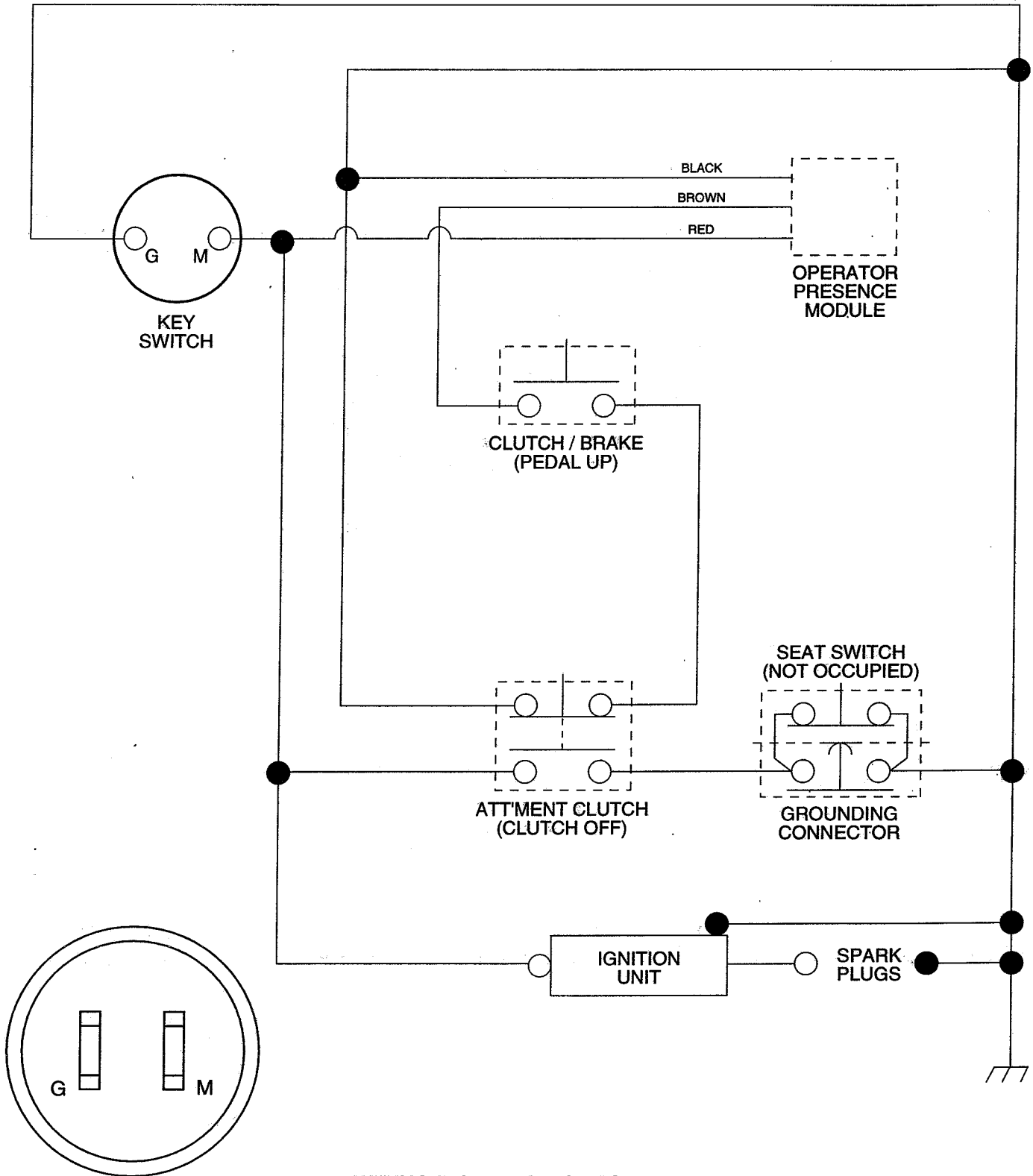


REPAIR PARTS

10 HP 36" TRACTOR - - MODEL NUMBER 6B1A1A

SCHEMATIC



KEY SWITCH

POSITION	CIRCUIT
OFF	M + G
ON	OPEN

WIRING INSULATED CLIPS

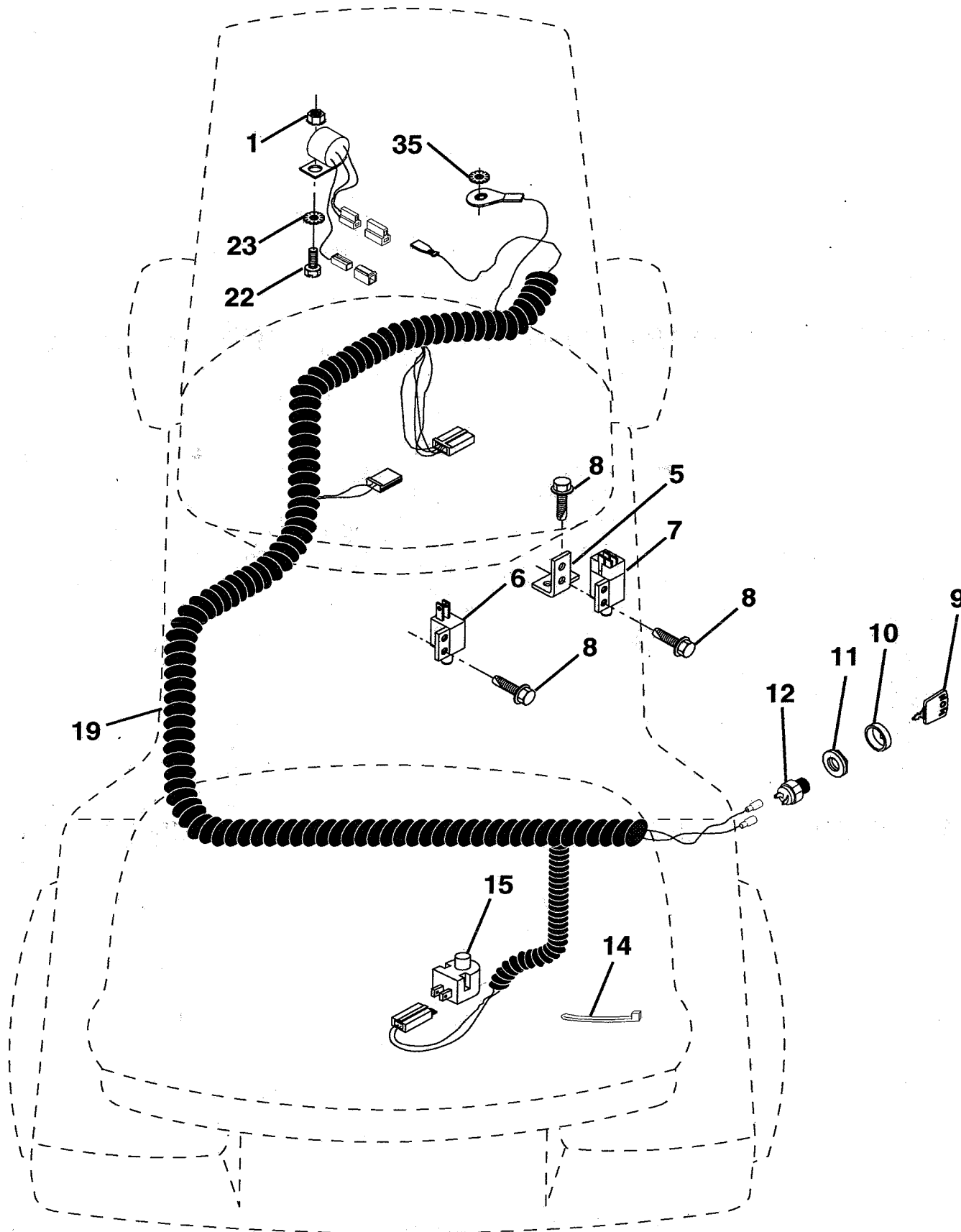
NOTE: IF WIRING INSULATED CLIPS WERE REMOVED FOR SERVICING OF UNIT, THEY SHOULD BE REPLACED TO PROPERLY SECURE YOUR WIRING

- NON-REMOVABLE CONNECTIONS
- REMOVABLE CONNECTIONS

REPAIR PARTS

10 HP 36" TRACTOR -- MODEL NUMBER 6B1A1A

ELECTRICAL



REPAIR PARTS

10 HP 36" TRACTOR - - MODEL NUMBER 6B1A1A

ELECTRICAL

KEY NO.	PART NO.	DESCRIPTION
1	73510400	Nut, Hex, Keys 1/4-20
5	108236X	Bracket, Switch
6	104445X	Switch, Interlock
7	109553X	Switch, Interlock
8	17021008	Screw, Hex Head, Tapping #10-24 x 1/2
9	7552H	Key, Molded
10	123620X	Cover, Ignition Key
11	124211X	Nut, Ignition
12	135944	Switch, Ignition
14	7192J	Tie, Cable
15	121305X	Switch, Plunger
19	139415	Harness, Ignition
22	74780408	Bolt, Hex, Fin. 1/4-20 UNC x 1/2 Grade 5
23	11050400	Washer, Lock External Tooth 1/4
35	11050600	Washer, Lock, External Tooth 3/8

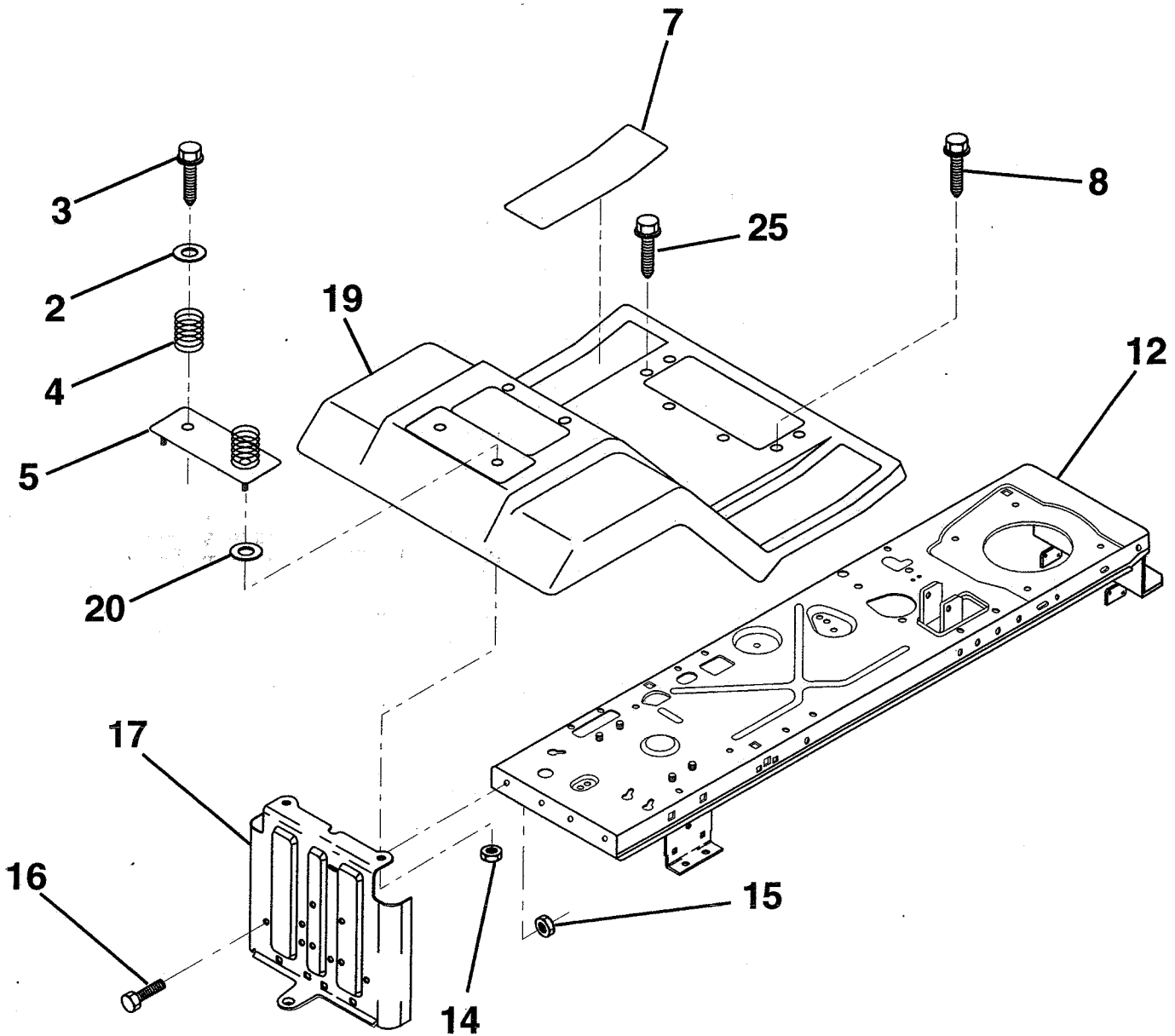
NOTE: All component dimensions given in U.S. inches.
1 inch = 25.4 mm

HARDWARE SHOWN LARGER FOR EASIER IDENTIFICATION

REPAIR PARTS

10 HP 36" TRACTOR -- MODEL NUMBER 6B1A1A

FENDER / CHASSIS



KEY NO.	PART NO.	DESCRIPTION
2	19132012	Washer 13/32 x 1 1/4 x 12 Ga
3	17490612	Screw Thdrol 3/8-16 x 3/4
4	124181X	Spring Seat
5	127115X505	Plate Asm Battery
7	124144X	Pad Footrest
8	17490512	Screw Thdrol 5/16-18 x 3/4
12	137097	Chassis Asm

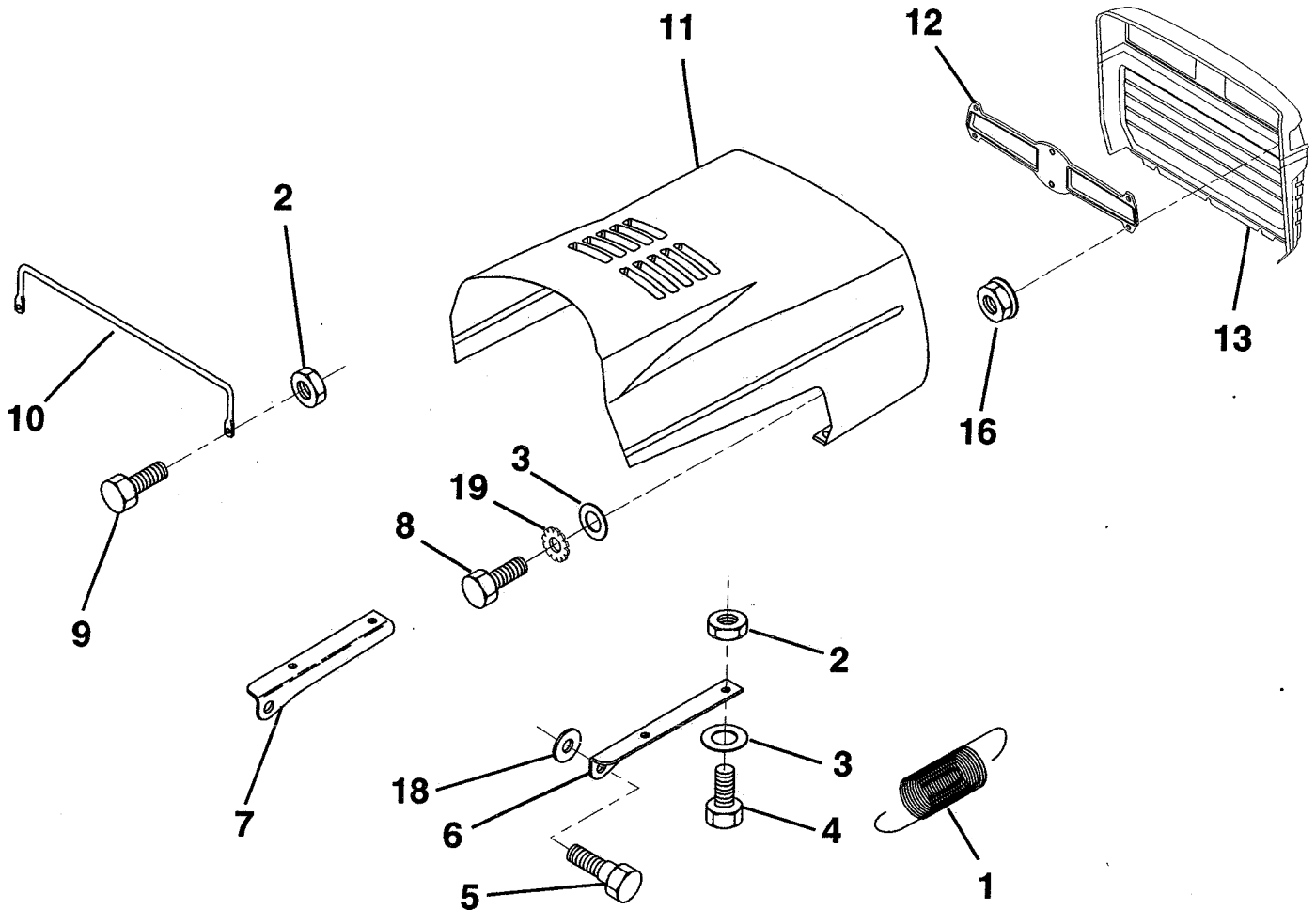
KEY NO.	PART NO.	DESCRIPTION
14	73510400	Nut Hex 1/4-20
15	73680500	Nut Crownlock 5/16-18
16	74760512	Bolt Hex Head 5/16-18 x 3/4
17	127880	Drawbar
19	131810X505	Fender/Footrest
20	19091413	Washer 9/32 x 7/8 x 13 Ga
25	17490516	Screw Thdrol 5/16-18 x 1

HARDWARE SHOWN LARGER FOR EASIER IDENTIFICATION

REPAIR PARTS

10 HP 36" TRACTOR - - MODEL NUMBER 6B1A1A

HOOD



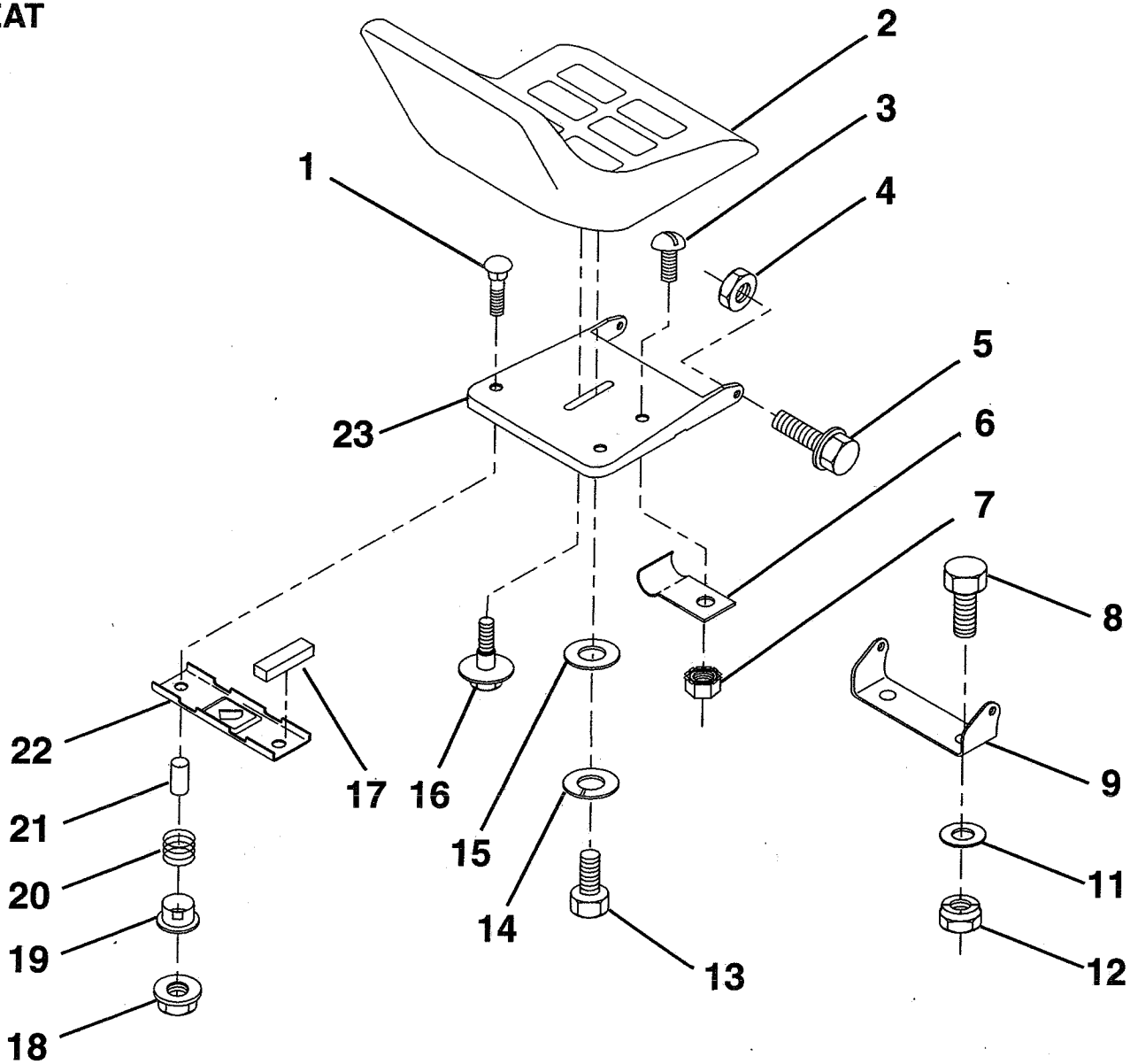
KEY NO.	PART NO.	DESCRIPTION	KEY NO.	PART NO.	DESCRIPTION
1	124657X	Spring	9	74780412	Bolt Fin Hex 1/4-20 x 3/4
2	73510400	Nut 1/4-20	10	123693X	Brace Hood
3	19091016	Washer 9/32 x 5/8 x 16 Ga	11	132918X013	Hood Asm Silkscreen
4	74780410	Bolt Fin Hex 1/4-20 x 5/8 Gr. 5	12	127178	Lens Clear Bar
5	126675X	Bolt Shoulder 5/16-18	13	134232X	Grille
6	122549X	Bracket Hood RH	16	124346X	Nut Self Thd 1/4
7	122548X	Bracket Hood LH	18	19111116	Washer 11/32 x 11/16 x 16 Ga
8	17411310	Screw Hex Wsh #13-16 Hi-Lo 5/8	19	11030400	Washer Lock 1/4 Int/Ext Tooth

HARDWARE SHOWN LARGER FOR EASIER IDENTIFICATION

REPAIR PARTS

10 HP 36" TRACTOR -- MODEL NUMBER 6B1A1A

SEAT



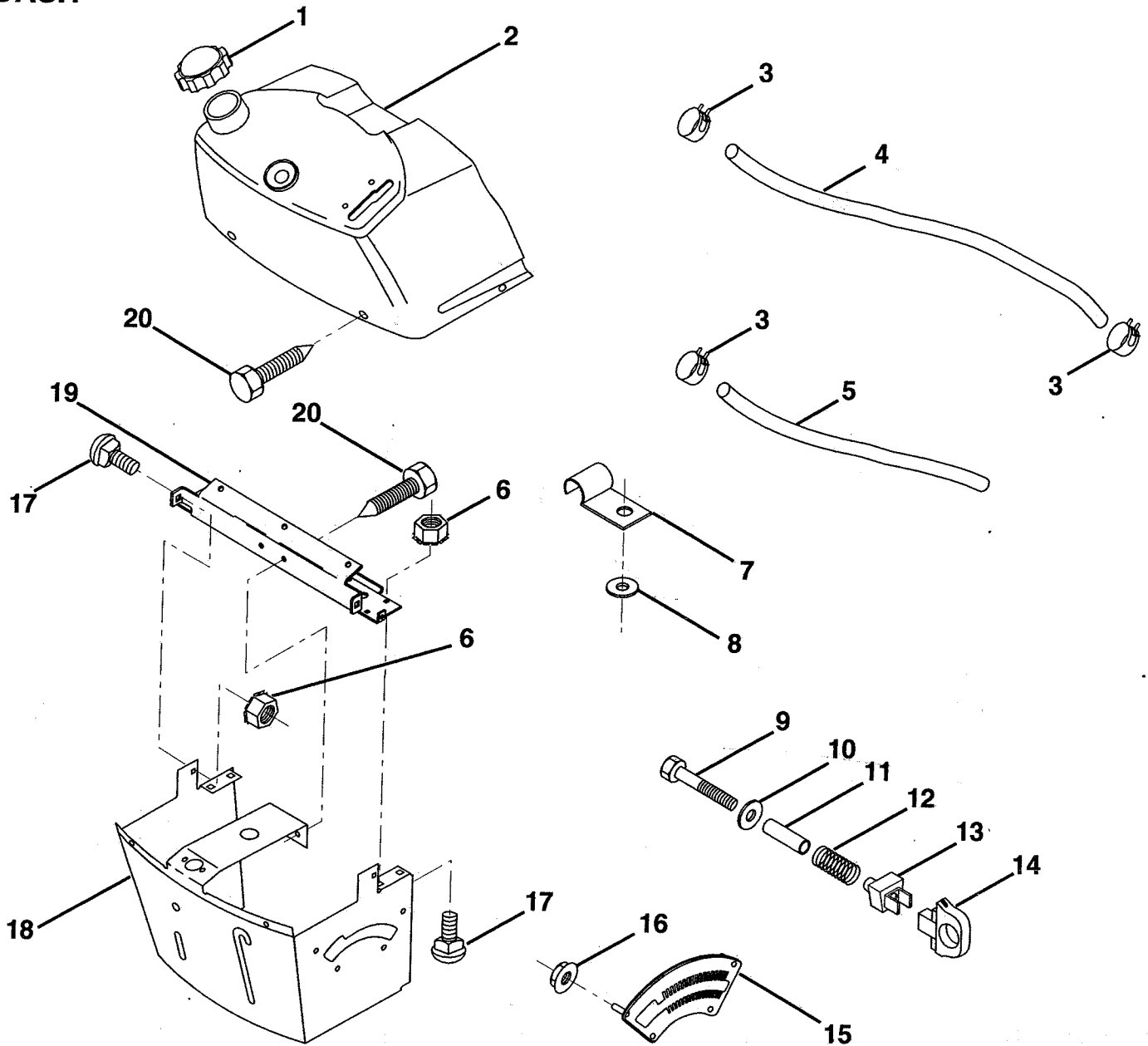
KEY NO.	PART NO.	DESCRIPTION	KEY NO.	PART NO.	DESCRIPTION
1	72050411	Bolt, Carriage 1/4-20 x 1-3/8	13	74780814	Bolt, Hex, Fin. 1/2-13 UNC x 7/8 Grade 5
2	134647	Seat	14	10040800	Washer, Lock, Heavy Helical Spring
3	74641008	Screw, Slotted Pan Head #10-32 x 1/2	15	19171912	Washer 17/32 x 1-3/16 x 12 Ga.
4	73680500	Nut, Crownlock 5/16-18	16	127018X	Bolt, Shoulder
5	105529X	Bolt, Shoulder 5/16-18 UNC	17	121251X	Strip, Foam
6	4171R	Clip, Insulated	18	123976X	Nut, Hex, Large, Flangelock
7	73951000	Nut, Hex, Keps #10-32 UNF	19	121248X	Bushing, Snap
8	74760612	Bolt, Hex, Fin. 3/8-16 UNC x 3/4	20	121250X	Spring, Compression
9	126656X	Bracket, Pivot, Seat	21	134300	Spacer, Split
11	19133210	Washer 12/32 x 2 x 10 Gauge	22	121246X	Bracket, Switch Mounting
12	73680600	Nut, Crownlock 3/8-16 UNC	23	131451	Pan, Seat

HARDWARE SHOWN LARGER FOR EASIER IDENTIFICATION

REPAIR PARTS

10 HP 36" TRACTOR -- MODEL NUMBER 6B1A1A

DASH



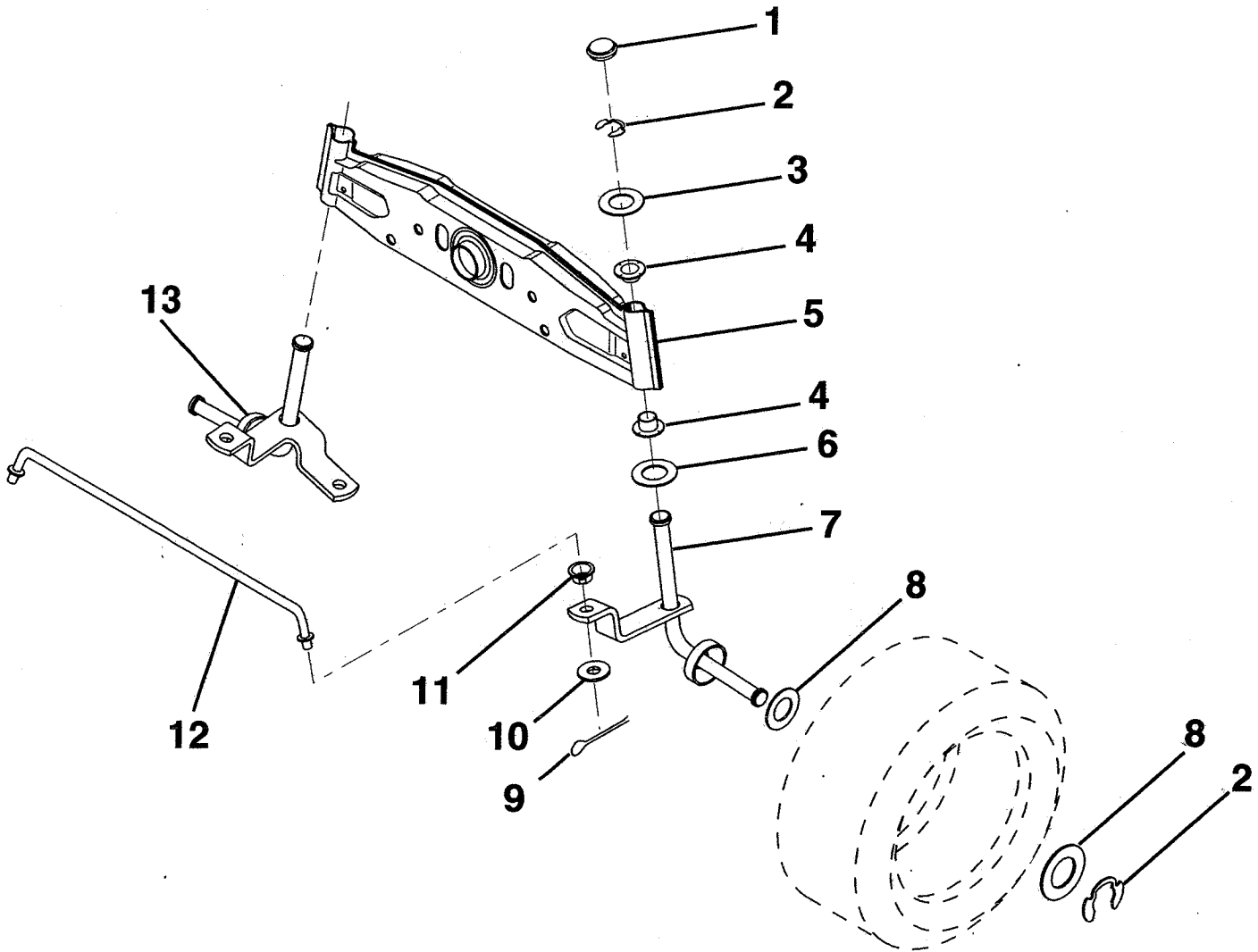
KEY NO.	PART NO.	DESCRIPTION	KEY NO.	PART NO.	DESCRIPTION
1	132734	Cap, Fuel	11	121249X	Spacer, Split
2	138393	Assembly, Dash & Fuel Tank	12	3720R	Spring
3	123487X	Clamp, Hose	13	126450X	Clip, Height Adjustment
4	8544R	Line, Fuel	14	126115X	Knob, Height Stop
5	8548R	Line, Fuel	15	122023X	Adjustment, Quadrant Height
6	73510400	Nut, Hex, Keps 1/4-20	16	124346X	Nut, Self-Threading 3/16-18
7	2751R	Clip, Fuel Line	17	72110404	Bolt, Carriage 1/4-20 x 1/2 Gr. 5
8	19091216	Washer 9/32 x 3/4 x 16 Gauge	18	130745	Support Assembly, Dash
9	74760428	Bolt, Hex, Fin. 1/4-20 x 1-3/4	19	134744	Brace, Cross
10	19091413	Washer 11/32 x 11/16 x 16 Ga.	20	17060408	Screw, Self-Tapping 1/4-20 x 1/2

HARDWARE SHOWN LARGER FOR EASIER IDENTIFICATION

REPAIR PARTS

10 HP 36" TRACTOR - - MODEL NUMBER 6B1A1A

FRONT AXLE



KEY NO.	PART NO.	DESCRIPTION
1	121232X	Cap, Spindle
2	12000029	Ring, Clip
3	121748X	Washer 25/32 x 1-5/8 x 16 Ga.
4	121922X	Nyliner
5	121914X	Axle, Front
6	6266H	Bearing, Thrust
7	121919X	Spindle Assembly, R.H.

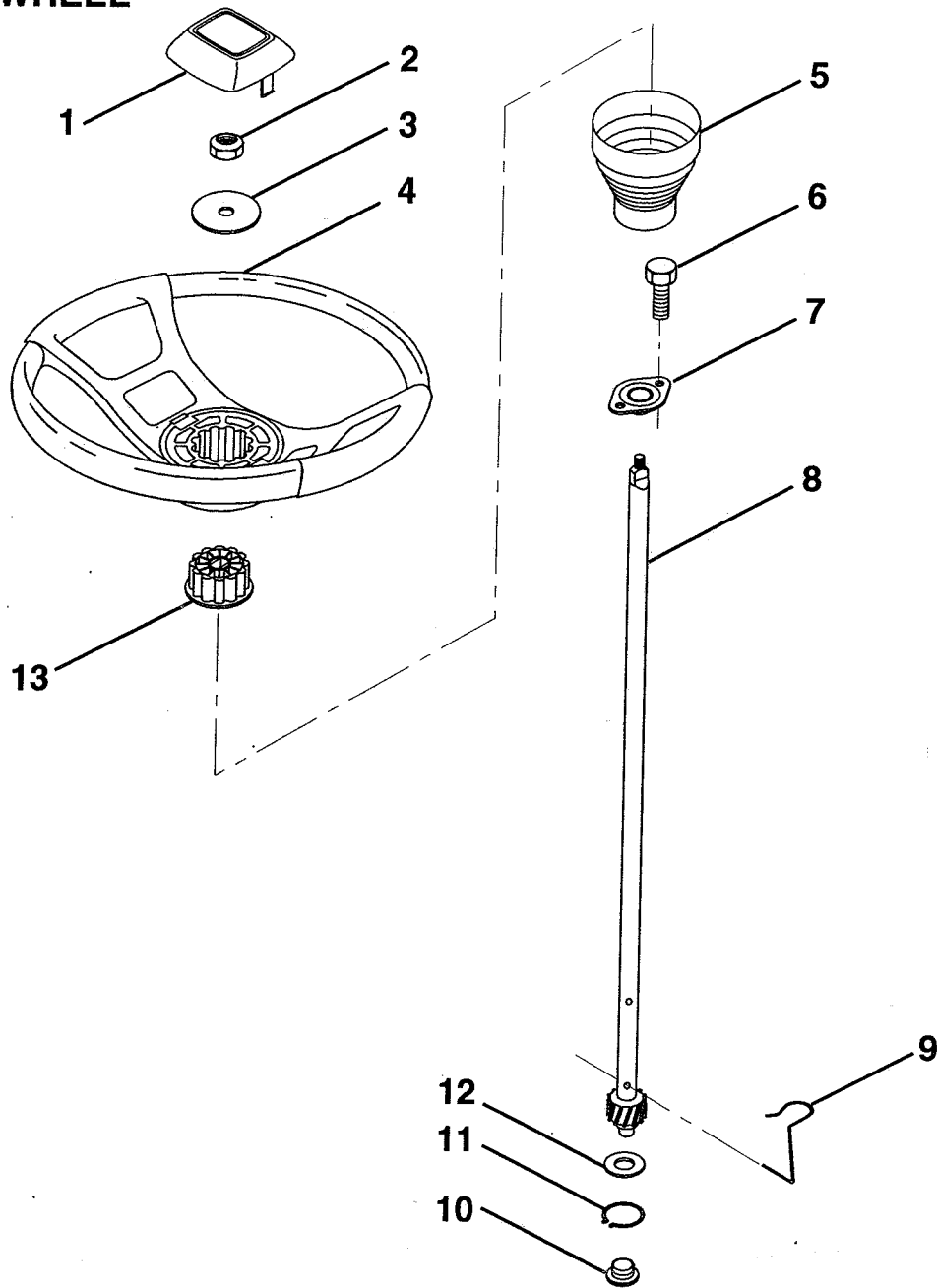
KEY NO.	PART NO.	DESCRIPTION
8	121749X	Washer 25/32 x 1-1/4 x 16 Ga.
9	76020412	Pin, Cotter 1/8 x 3/4
10	19131316	Washer 13/32 x 13/16 x 16 Ga.
11	126847X	Bushing
12	121924X	Rod, Tie
13	121916X	Spindle Assembly, L.H.

HARDWARE SHOWN LARGER FOR EASIER IDENTIFICATION

REPAIR PARTS

10 HP 36" TRACTOR - - MODEL NUMBER 6B1A1A

STEERING WHEEL



KEY NO.	PART NO.	DESCRIPTION
1	133742	Insert, Steering Wheel
2	7810H	Locknut 3/8-24 UNF
3	19133808	Washer 12/32 x 2-3/8 x 8 Gauge
4	133741	Steering Wheel
5	121897X	Sleeve, Steering
6	17431008	Screw, Hex #10-16 x 1/2 TY-B
7	102803X	Bushing, Steering

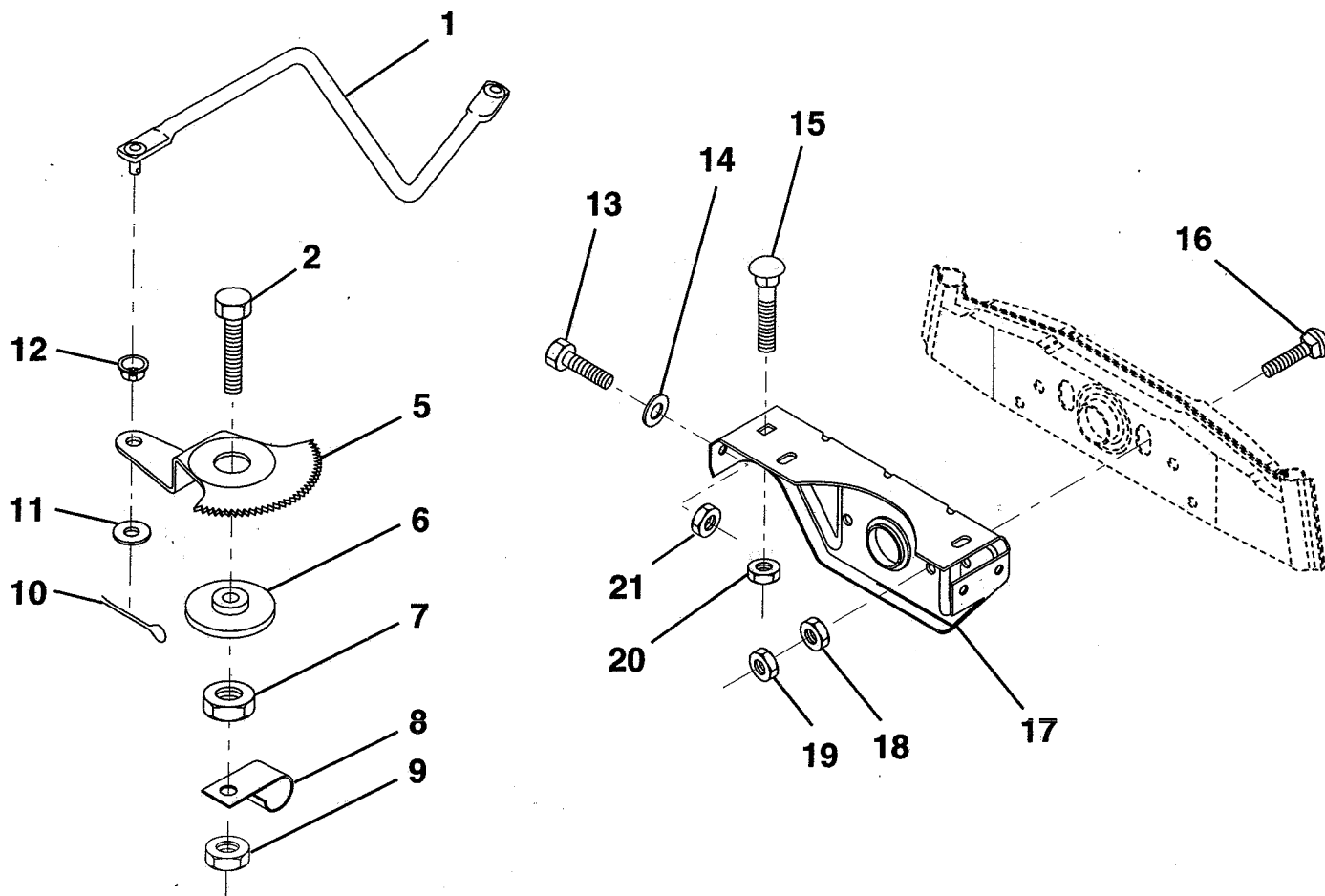
KEY NO.	PART NO.	DESCRIPTION
8	123651X	Shaft, Steering
9	124210X	Clip, Steering
10	123438X	Bushing, Lower, Steering
11	12000045	Ring, Retaining
12	19211616	Washer 21/32 x 1 x 16 Gauge
13	104820X	Adaptor, Steering Wheel

HARDWARE SHOWN LARGER FOR EASIER IDENTIFICATION

REPAIR PARTS

10 HP 36" TRACTOR -- MODEL NUMBER 6B1A1A

SECTOR GEAR / AXLE SUPPORT



KEY NO.	PART NO.	DESCRIPTION
1	132566	Link, Drag
2	74780828	Bolt, Hex, Fin. 1/2-13 x 1-3/4
5	121926X	Gear, Sector
6	121927X	Bushing
7	73030800	Nut, Heavy Hex, Top Lock 1/2-13 UNC
8	126472X	Clip, Insulated
9	73680800	Nut, Crownlock 3/8-16
10	76020412	Pin, Cotter 1/8 x 3/4
11	19131316	Washer 13/32 x 13/16 x 16 Ga.

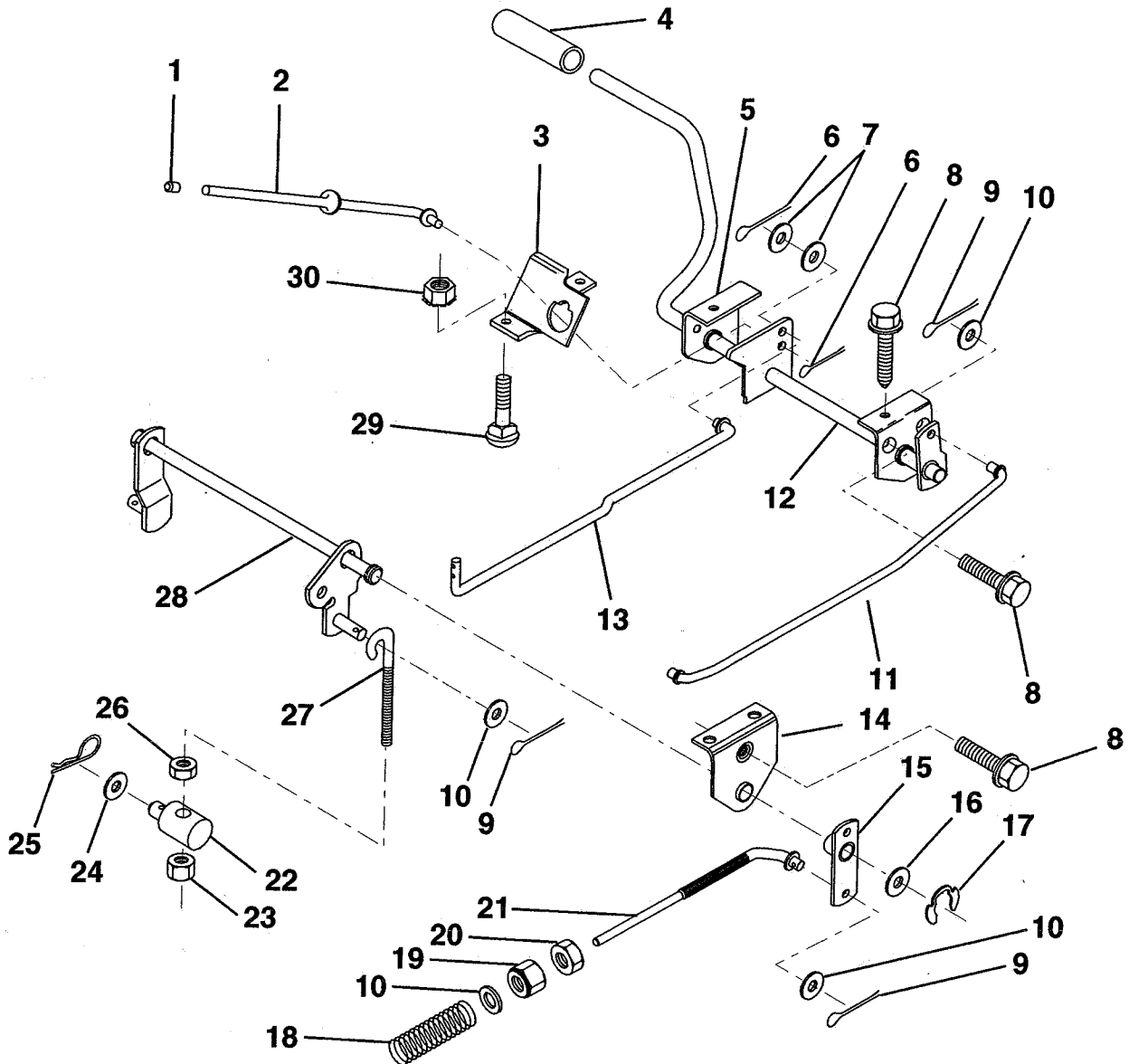
KEY NO.	PART NO.	DESCRIPTION
12	126847X	Bushing
13	74760512	Bolt, Hex Hd 5/16 - 18 x 3/4
14	19111416	Washer 11/32 x 7/8 x 16 Ga.
15	72110606	Bolt, Carriage 3/8-16 UNC x 3/4
16	72140622	Bolt, Carriage
17	121912X	Support, Front Axle
18	73220600	Nut, Hex, Fin. 3/8-16 UNC
19	73930600	Nut, Centerlock 3/8-16 UNC
20	73680600	Nut, Crownlock 3/8-16 UNC
21	73680500	Nut, Crownlock 5/16 - 18

HARDWARE SHOWN LARGER FOR EASIER IDENTIFICATION

REPAIR PARTS

10 HP 36" TRACTOR -- MODEL NUMBER 6B1A1A

BRAKE / REAR MOWER LIFT ASSEMBLY



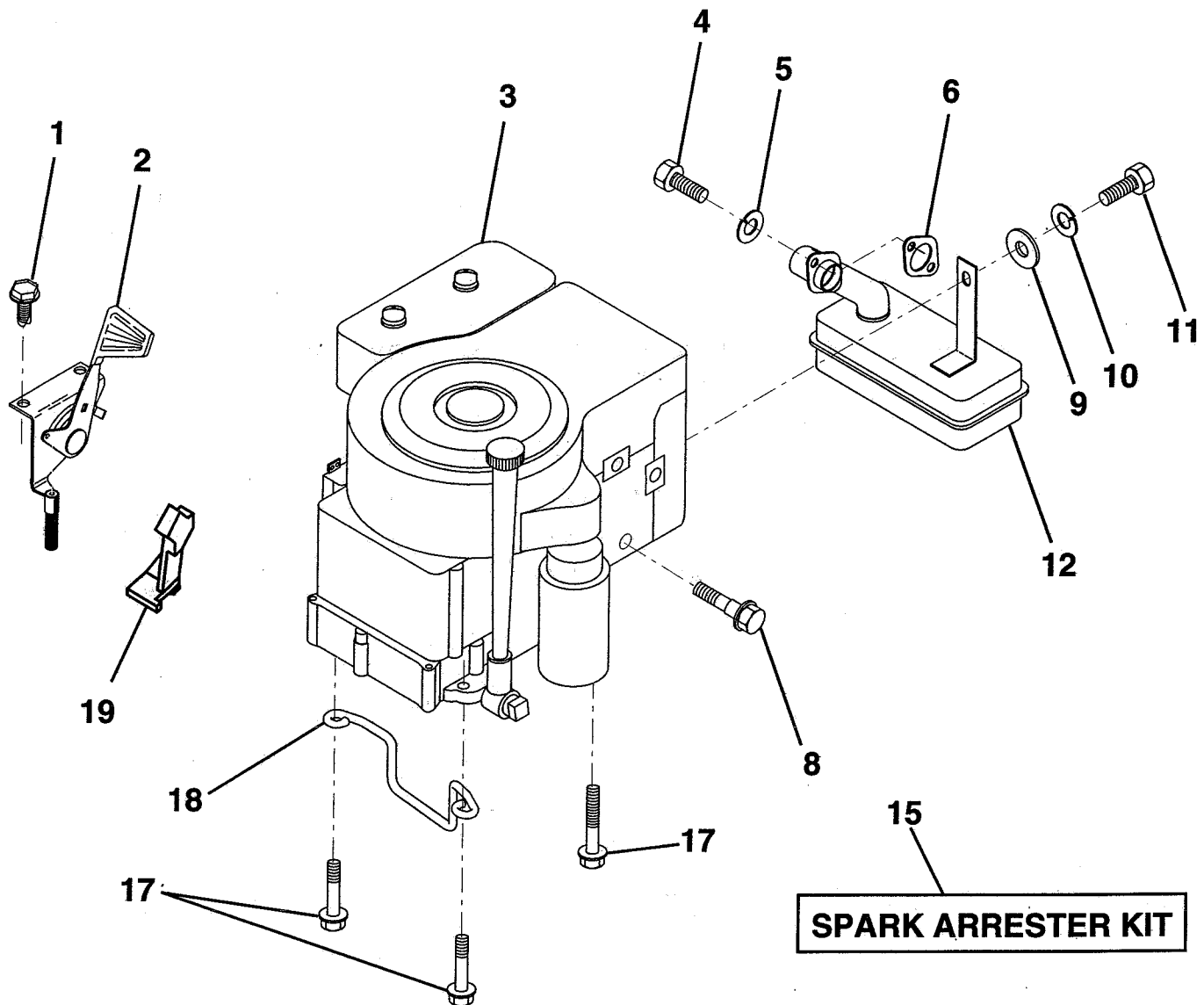
KEY NO.	PART NO.	DESCRIPTION	KEY NO.	PART NO.	DESCRIPTION
1	71673	Cap, Plunger	16	19251816	Washer 25/32 x 1-1/8 x 16 Ga.
2	123436X	Rod, Parking Brake	17	12000034	Ring, Klip
3	123437X	Bracket, Parking Brake	18	106888X	Spring, Brake Rod
4	8156H	Cover, Pedal	19	73800600	Locknut, Hex, with Washer Insert 3/8-16 UNC
5	122504X	Bracket, Clutch/Brake Pedal, L.H.	20	73350600	Nut, Hex, Jam 3/8-16 UNC
6	76020312	Pin, Cotter 3/32 x 3/4	21	131936	Rod, Rear, Brake
7	19131016	Washer 13/32 x 5/8 x 16 Gauge	22	127378	Trunnion, Lift
8	17490508	Screw, Hex Head, Thd., Roll. 5/16-18 x 1/2	23	73680600	Nut, Crownlock 3/8-16 UNC
9	76020412	Pin, Cotter 1/8 x 3/4	24	19132012	Washer 13/32 x 1-1/4 x 12 Ga.
10	19131316	Washer 13/32 x 13/16 x 16 Ga.	25	4921H	Spring, Retainer
11	123543X	Rod, Brake Front	26	73930600	Nut, Centerlock 3/8-16 UNC
12	129567	Assembly, Clutch/Brake Pedal	27	127369	Link, Threaded
13	123394X	Rod, Clutch	28	127358	Assembly, Rear Mower Lift
14	121978X	Bracket, Lift, Shaft	29	72110506	Bolt, Carriage 5/16-18 UNC x 3/4
15	123641X	Assembly, Brake, Pivot, Arm	30	73510500	Nut, Hex, Keps 5/16-16 UNC

HARDWARE SHOWN LARGER FOR EASIER IDENTIFICATION

REPAIR PARTS

10 HP 36" TRACTOR -- MODEL NUMBER 6B1A1A

ENGINE / THROTTLE



KEY NO.	PART NO.	DESCRIPTION
1	17060408	Screw 1/4-20 x 1/2
2	133025	Control, Throttle
3	----	Engine, Tec Model Number TYXL220-157247C
4	71070512	Screw, Hex Cap Head 5/16-18 x 3/4
5	10170500	Washer, Lock 5/16
6	120701X	Gasket, Exhaust
8	81328	Bolt, Shoulder 1/4 - 20
9	----	Washer 5/16 x 3/4 x 16 Ga. (order from engine manufacturer)

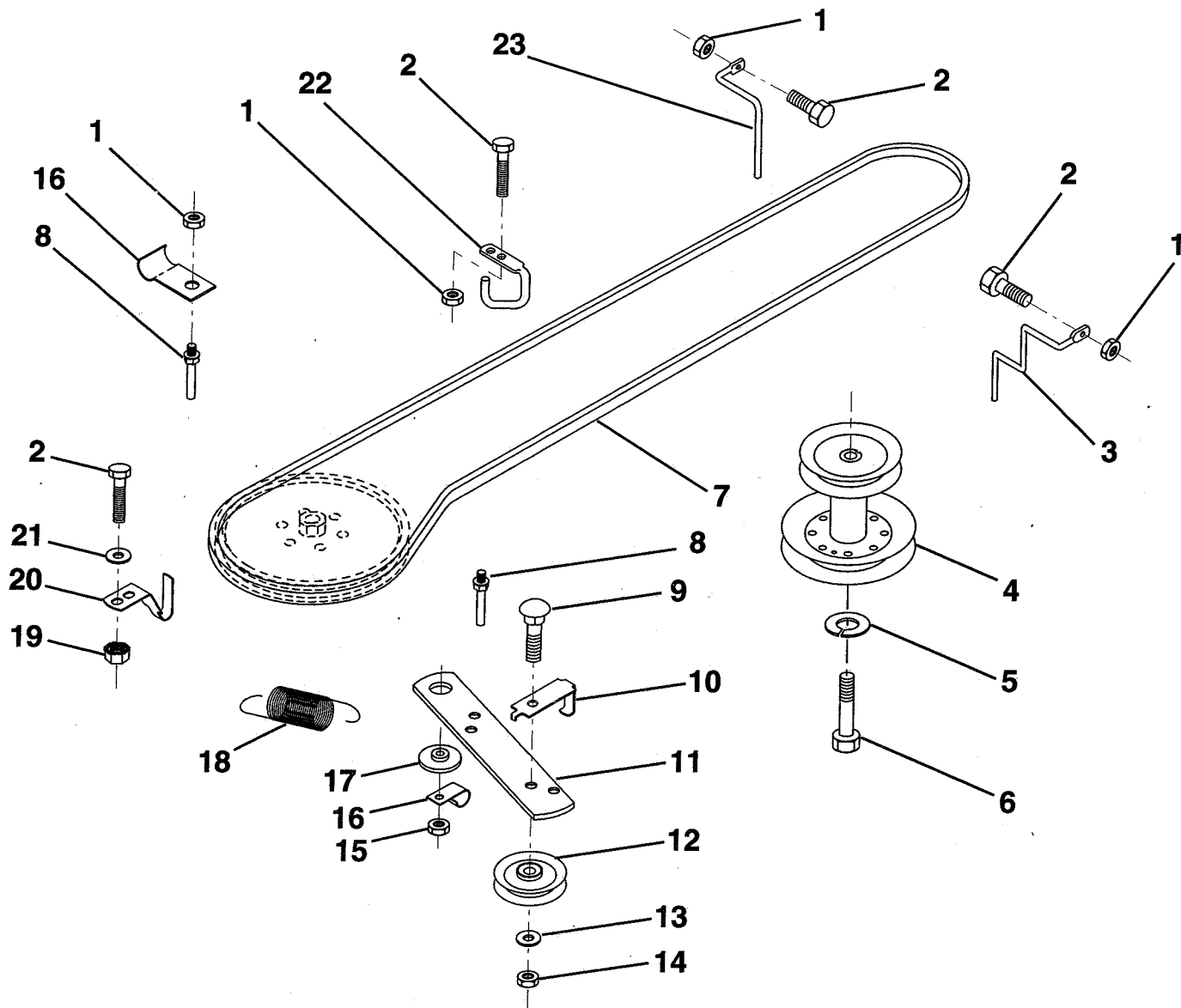
KEY NO.	PART NO.	DESCRIPTION
10	----	Washer, Lock, Heavy Helical Spring 1/4 (order from engine manufacturer)
11	----	Bolt, Hex, Fin. 1/4-20 UNC x 1 (order from engine manufacturer)
12	138031	Muffer
15	137180	Arrester, Spark (Optional)
17	817490624	Screw, Hex Washer Head, Thd., Roll. 3/8-16 x 1-1/2
18	126636X	Keeper, Ground Drive Belt
19	136382	Throttle, Stop

HARDWARE SHOWN LARGER FOR EASIER IDENTIFICATION

REPAIR PARTS

10 HP 36" TRACTOR -- MODEL NUMBER 6B1A1A

GROUND DRIVE



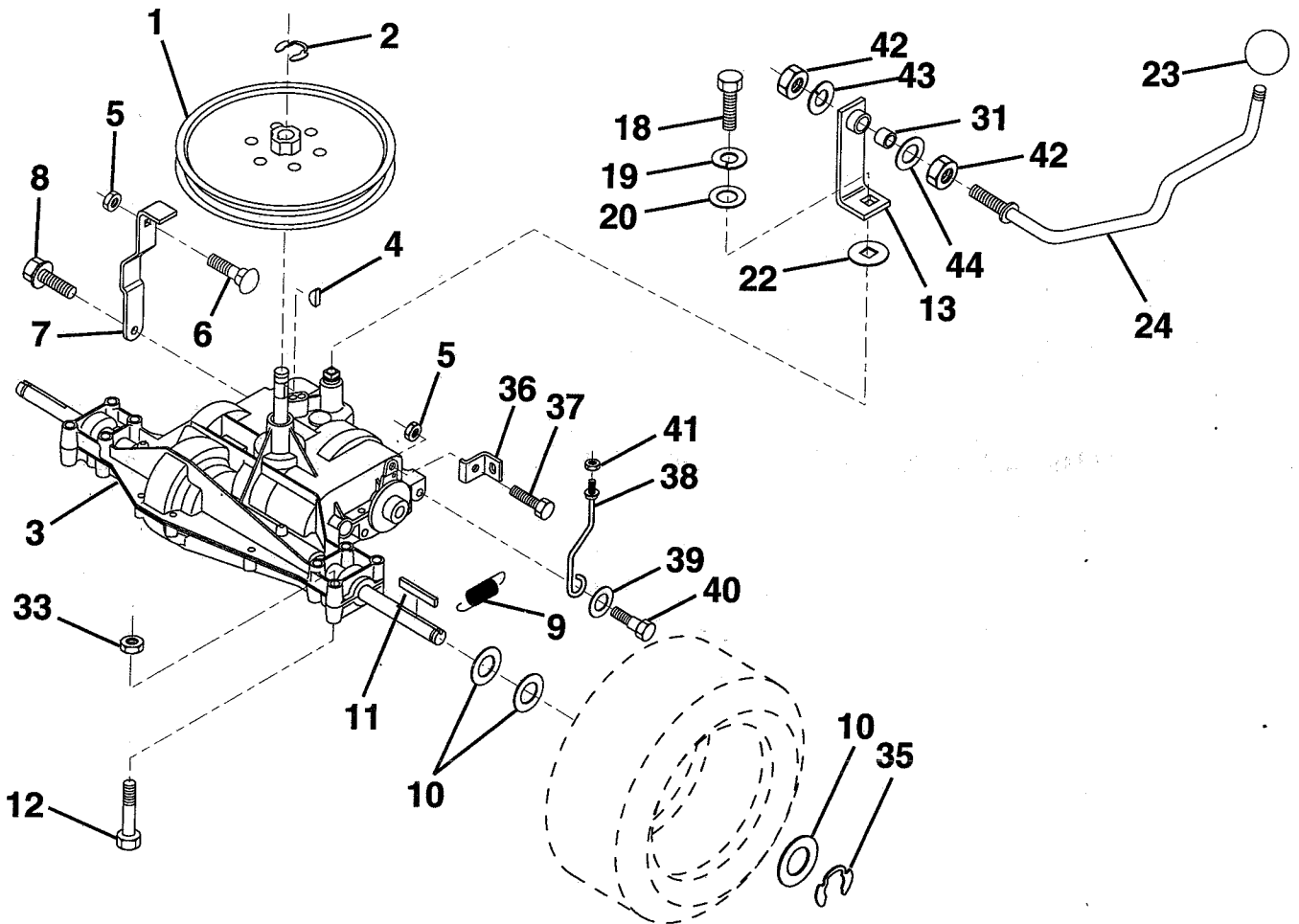
KEY NO.	PART NO.	DESCRIPTION	KEY NO.	PART NO.	DESCRIPTION
1	73680500	Nut, Crownlock 5/16-18	13	19131316	Washer 13/32 x 13/16 x 16 Ga.
2	74760512	Bolt, Hex Hd. 5/16-18 UNC x 3/4	14	73930600	Nut, Centerlock 3/8-16 UNC
3	131205	Keeper, Mower Drive Belt, R.H.	15	73680600	Nut, Crownlock 3/8-16 UNC
4	134828	Pulley, Engine	16	126471X	Clip Insulator
5	10040700	Washer, Lock 7/16	17	122052X	Spacer, Retainer
6	71170744	Bolt, Hex, Fin. 7/16-20	18	131459	Spring Extension
7	124525X	Traction, V-Belt, Drive	19	73510500	Nut, Hex, Keps 5/16-18 UNC
8	123405X	Keeper, T/A, Ground Drive Belt	20	123891X	Keeper, T/A, Ground Drive Belt
9	72140612	Bolt, Carriage 3/8-16 UNC x 1-1/2	21	19111016	Washer 11/32 x 5/8 x 16 Gauge
10	123396X	Keeper, Ground Drive, Belt, Idler	22	123404X	Keeper, Frame, Ground Drive Belt
11	123395X	Clutch Arm, Ground Drive	23	131204	Keeper, Mower Drive Belt, L.H.
12	4859J	Idler, Flat			

HARDWARE SHOWN LARGER FOR EASIER IDENTIFICATION

REPAIR PARTS

10 HP 36" TRACTOR - - MODEL NUMBER 6B1A1A

TRANSAXLE



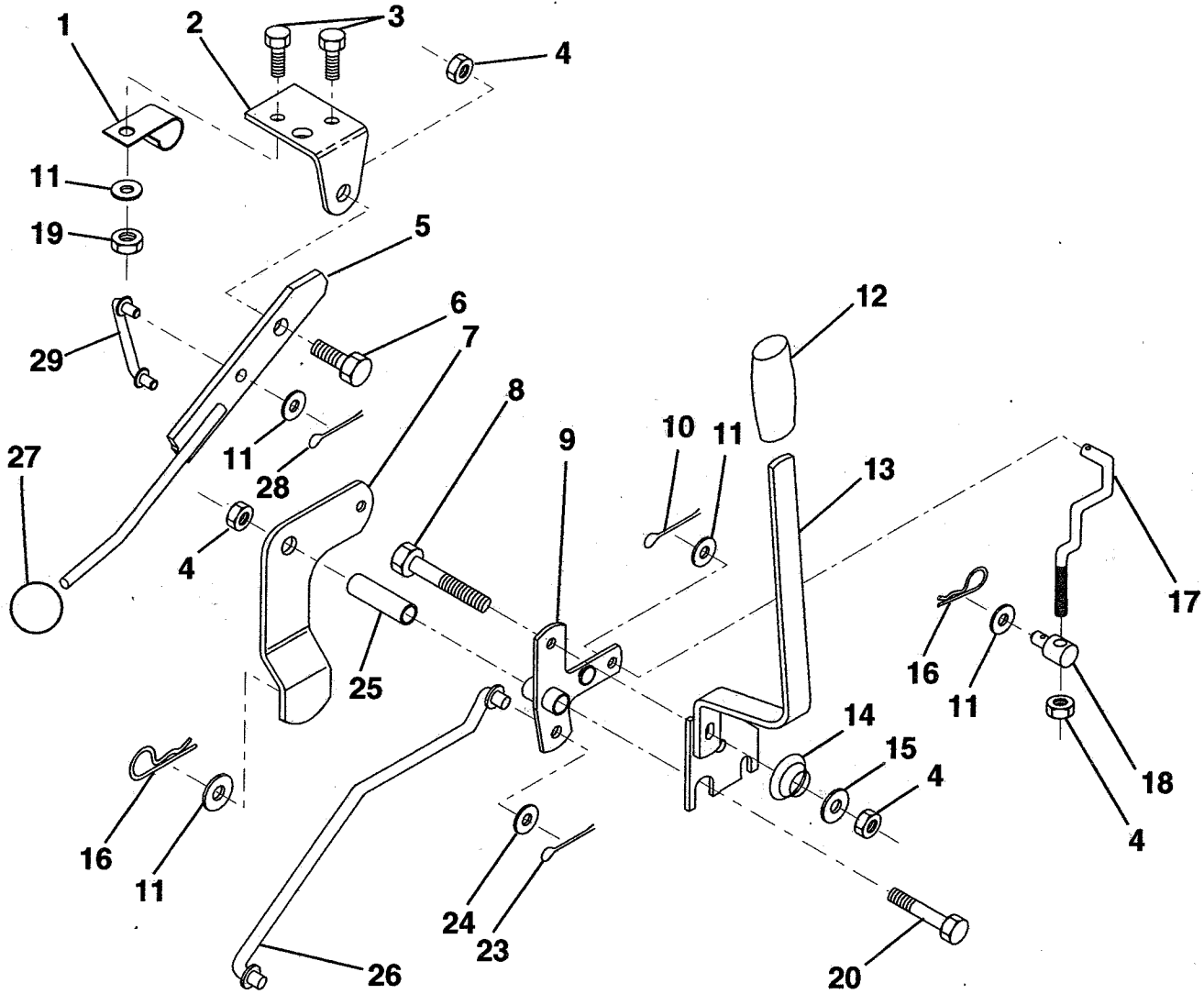
KEY NO.	PART NO.	DESCRIPTION	KEY NO.	PART NO.	DESCRIPTION
1	123385X	Pulley	19	10040400	Washer, Lock 1/4
2	12000028	Ring, Retainer	20	19091210	Washer 9/32 x 3/4 x 10 Gauge
3	-----	Transaxle, Dana, 5 Speed Model Number 2000-07	22	105701X	Washer, Shift Plate
4	2228M	Key, Woodruff #9	23	106933X	Knob, Shift Control
5	73680500	Nut, Crownlock 5/16-18	24	131930	Rod, Shift Center
6	72140506	Bolt, Carriage 5/16 - 18 x 3/4	31	132985	Spacer
7	131939	Strap, Torque	33	73680600	Nut, Crownlock 3/8 x 16 Unc
8	17490512	Screw, Hex Head, Thd. Roll. 5/16-18 x 3/4	35	12000001	E-Ring
9	110422X	Spring, Brake	36	131935	Bracket Brake
10	121749X	Washer 25/32 x 1-1/4 x 16 Ga.	37	74760512	Bolt Hex Hd 5/16-18 x 3/4
11	123583X	Key, Square	38	131937	Keeper Belt RH
12	74760644	Bolt Fin Hex 3/8 - 16 x 2 3/4	39	19171612	Washer 1/32 x 1 x 12 Ga.
13	137491	Bracket Asm., Shft Cntr	40	132827	Bolt, Shoulder 5/26 - 18
18	71040412	Bolt, Hex Head, Fin. 1/4-28 UNF x 3/4 Grade 8	41	73800500	Nut, Crownlock 5/16 - 18
			42	73220700	Nut Hex 7/16 - 14
			43	10040700	Washer, Lock 7/16
			44	19151612	Washer 15/32 x 1 x 12 Ga.

HARDWARE SHOWN LARGER FOR EASIER IDENTIFICATION

REPAIR PARTS

10 HP 36" TRACTOR -- MODEL NUMBER 6B1A1A

MOWER LIFT LEVER



**KEY PART
NO. NO. DESCRIPTION**

1	126470X	Clip, Insulated
2	122018X	Bracket, Mower Clutch
3	74780408	Bolt, Hex Head, Fin. 1/4-20 UNC x 1/2 Grade 5
4	73680600	Nut, Crownlock 3/8-16 UNC
5	123417X	Clutch Lever Assembly
6	106451X	Bolt, Shoulder
7	135371	Assembly, Mower Clutch Arm
8	74760636	Bolt, Hex 3/8-16 UNC x 2-1/4
9	121930X	Lift Bracket Assembly
10	76020412	Pin, Cotter 1/8 x 3/4
11	19131316	Washer 13/32 x 13/16 x 16 Ga.
12	131861	Grip, Handle
13	139352X431	Assembly, Lift Handle

**KEY PART
NO. NO. DESCRIPTION**

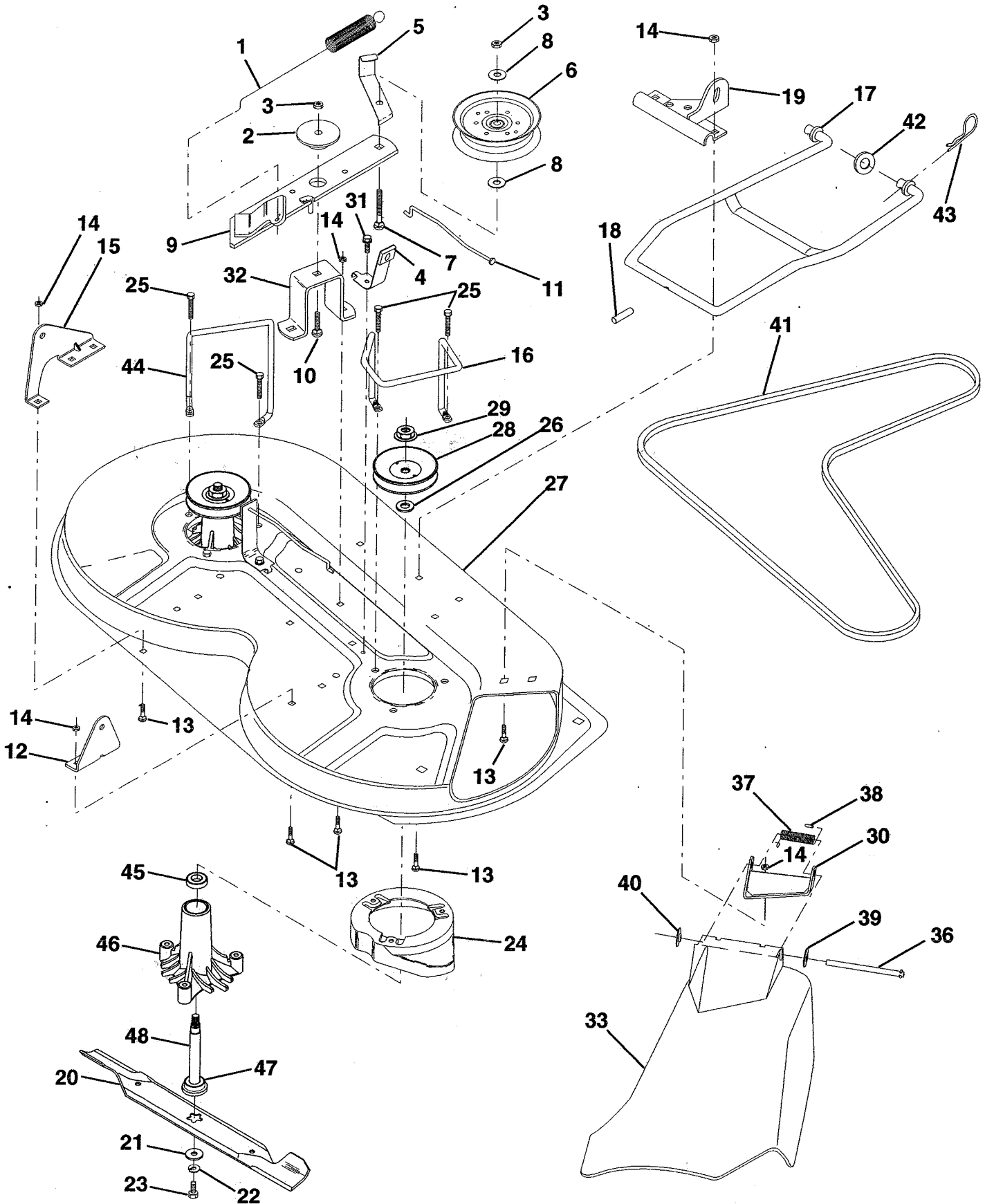
14	123496X	Spring, Compression
15	19131212	Washer 13/32 x 3/4 x 12 Gauge
16	4921H	Retainer, Spring
17	127359	Link, Front Lift
18	133205	Trunnion, Threaded 3/8-16
19	73680400	Nut, Crownlock 1/4-20
20	74760644	Bolt, Hex Head, Fin. 3/8-16 UNC x 2-3/4
23	76020416	Pin, Cotter 1/8 x 1
24	19171616	Washer 17/32 x 1 x 16 Gauge
25	121933X	Tube, Spacer
26	121934X	Rod, Mower Lift
27	106932X	Knob
28	76020312	Pin, Cotter 3/32 x 3/4
29	131655	Link, Mower Clutch

HARDWARE SHOWN LARGER FOR EASIER IDENTIFICATION

REPAIR PARTS

10 HP 36" TRACTOR -- MODEL NUMBER 6B1A1A

MOWER DECK



REPAIR PARTS

10 HP 36" TRACTOR - - MODEL NUMBER 6B1A1A

MOWER DECK

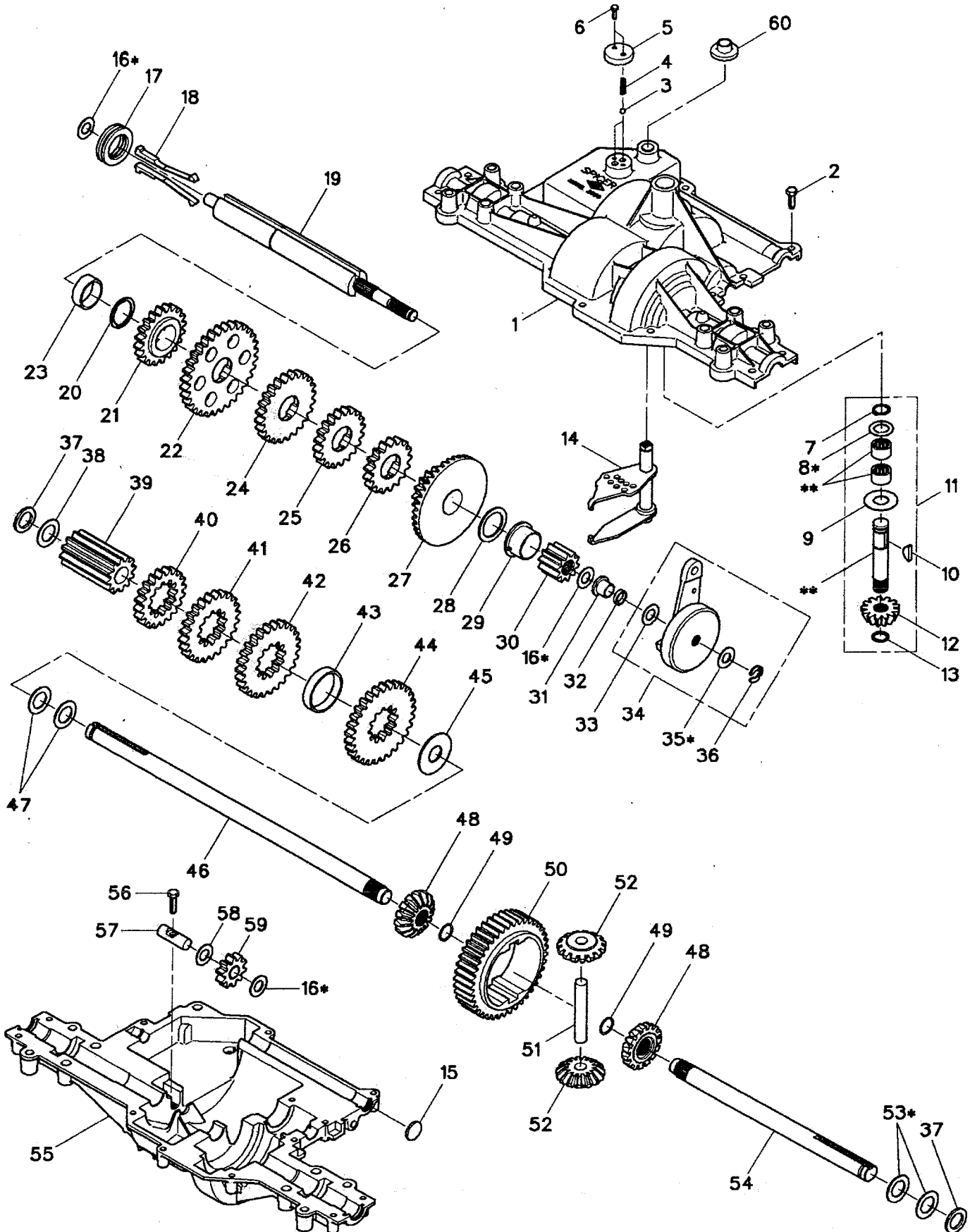
KEY NO.	PART NO.	DESCRIPTION
1	127743	Spring, Mower Clutch
2	122052X	Spacer, Retainer
3	73680600	Nut, Crownlock
4	130840	Brake Assembly
5	131251	Guide, Belt, Idler
6	121316X	Pulley, Flat, Idler
7	72110616	Bolt, Carriage 3/8-16 x 2 Grade 5
8	19131410	Washer 13/21 x 7/8 x 10 Gauge
9	127744	Arm Assembly, Idler, Mower
10	72110608	Bolt, Carriage 3/8-16 x 1
11	130841	Rod, Brake
12	127356	Bracket, Lift, Rear, R.H.
13	72140505	Bolt, Carriage 5/16-18 x 5/8
14	73680500	Nut, Crownlock 5/16-18
15	127357	Bracket, Lift, Rear, L.H.
16	130837	Keeper, R.H.
17	128508	Link Assembly, Mower Stabilizer
18	128511	Pin, Drive
19	127380	Bracket, Assembly, Front
20	131321	Blade
21	129962	Washer, Hardened
22	10030600	Washer, Lock 3/8
23	850857	Bolt 3/8-24 x 1-1/4 Grade 8
24	136929	Stripper
25	78158	Bolt 5/16-18 x 1-1/4
26	129963	Washer .150 Thick
27	129983	Housing Assembly
28	129207	Pulley, Mandrel
29	137266	Nut, Flangelock 9/16
30	136631	Bracket, Assembly, Deflector
31	17490508	Screw, Hex Washer Head, Thd., Roll. 5/16-18 x 1/2
32	122051X	Arm, Support, Idler, Mower
33	131560	Deflector
36	121980X	Rod, Hinge
37	123713X	Spring, Torsion, Deflector
38	105304X	Cap, Sleeve
39	19111016	Washer 11/32 x 5/8 x 16 Gauge
40	110452X	Push Nut
41	131264	V-Belt
42	19171616	Washer 11/32 x 5/8 16 Gauge
43	3146R	Retainer, Spring
44	130836	Keeper, L.H.
45	110485X	Bearing
46	128774	Housing, Mandrel, Vented
47	129895	Bearing
48	137645	Shaft, Mandrel (Includes Key Number 47)
--	130794	Mandrel Assembly (Includes Key No.'s 21-23, 26, 29 and 45-48)
--	136317	Mower Deck, Complete

HARDWARE SHOWN LARGER FOR EASIER IDENTIFICATION

REPAIR PARTS

10 HP 36" TRACTOR - - MODEL NUMBER 6B1A1A

DANA TRANSAXLE - MODEL NUMBER 2000-07



REPAIR PARTS

10 HP 36" TRACTOR - - MODEL NUMBER 6B1A1A

DANA TRANSAXLE - MODEL NUMBER 2000-07

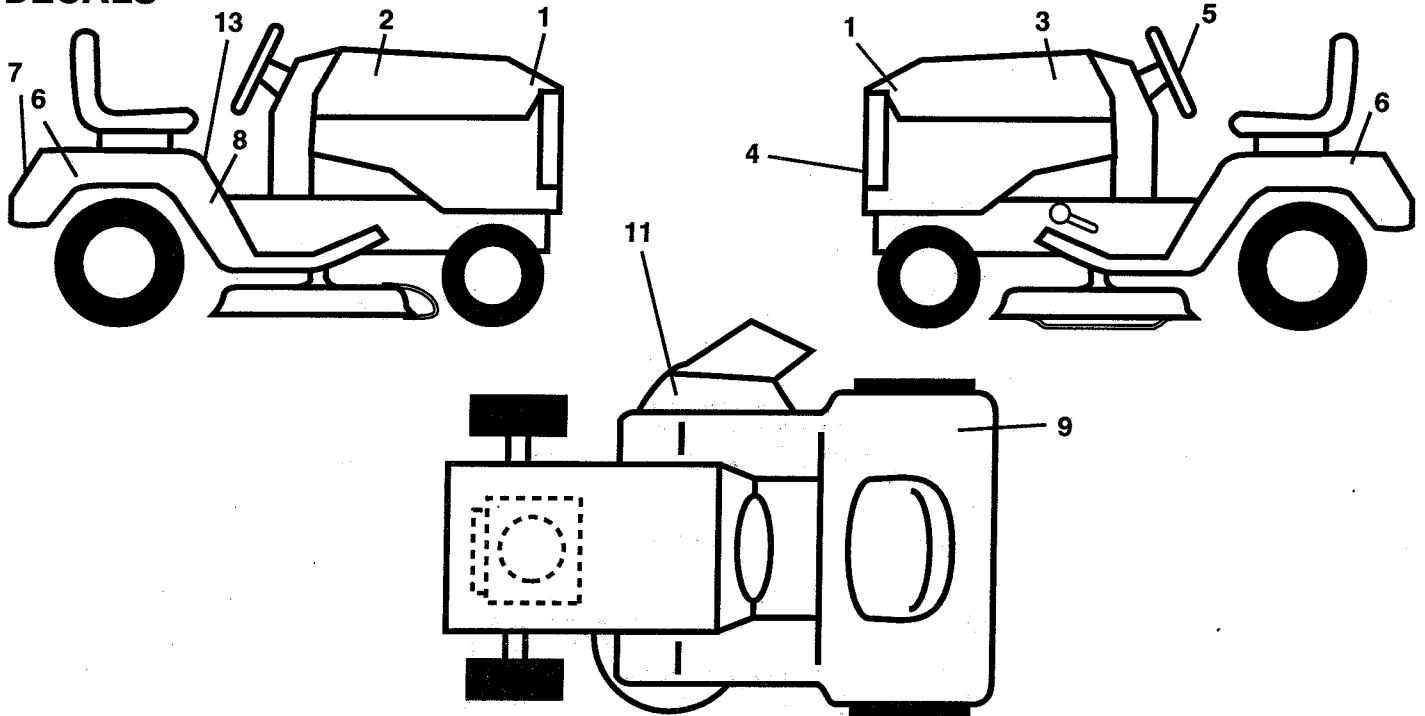
KEY NO.	PART NO.	DESCRIPTION	KEY NO.	PART NO.	DESCRIPTION
1	5151-B	Housing, Upper	35	4692	Assembly, Kit, Shim .464 Shaft
2	1919	Screw, Tapping, Large 1/4-20 x .734	36	5251	Klip Ring
3	5112	Ball, Detent	37	5130	Washer, Neoprene
4	5185	Spring, Detent	38	3180	Washer, Plain .758 x 1.25 x .062
5	5184	Cover, Detent	39	5160	Gear, Spur, 12 Teeth
6	3035	Screw, Tapping, Large #8-32 x .50	40	3983	Gear, Spur, 20 Teeth
7	1099	Ring, Retaining	41	5163	Gear, Spur, 24 Teeth
8	4689	Assembly, Kit, Shim .625 Shaft	42	5162	Gear, Spur, 26 Teeth
9	3876	Washer, Plain .632 x 1.38 x .046	43	5240	Spacer 1.710 x 1.910 x .375
10	1374	Key, Woodruff, #9	44	5161	Gear, Spur, 29 Teeth
11	4687	Assembly, Kit, Input Shaft	45	3955	Washer, Plain .758 x 1.88 x .062
12	3936	Pinion, Bevel, 13 Teeth	46	5221	Axle, L.H.
13	3956	Ring, Retaining	47	3184	Washer, Plain .758 x 1.25 x .031
14	4623	Assembly, Shifter	48	3780	Gear, Miter, 15 Teeth
15	5196	Seal	49	3656	Ring, Retaining
16	4690	Assembly, Kit, Shim .500 Shaft	50	5181	Gear, Spur, 41 Teeth
17	3631	Collar, Clutch	51	3919	Shaft, Cross
18	4688	Assembly, Kit, Clutch Keys	52	3781	Gear, Miter, 15 Teeth
19	5165	Shaft, Drive	53	4691	Assembly, Kit, Shim .750 Shaft
20	3627	Ring, Retaining	54	5222	Axle, R.H.
21	5155	Gear, Spur, 20 Teeth	55	5150-A	Housing, Lower
22	5154	Gear, Spur, 32 Teeth	56	3396	Screw, Tapping, Large 1/4-20 x .875
23	5239	Spacer 1.130 x 1.330 x .465	57	3987	Shaft, Idler
24	5152	Gear, Spur, 24 Teeth	58	3888	Washer, Plain .505 x .942 x .020
25	5149	Gear, Spur, 20 Teeth	59	5293	Gear, Spur, 10 Teeth
26	5148	Gear, Spur, 17 Teeth	60	5024	Boot, Shifter
27	5238	Gear, Bevel, 39 Teeth, and Spur, 15 Teeth	61	4300	Grease
28	5201	Washer, Plain 1.135 x 1.56 x .062	*		Use in various combinations to maintain proper clearances.
29	5183	Bearing, Flange	**		Order Key Number 11.
30	5180	Gear, Spur, 10 Teeth			
31	5182	Bearing, Flange			
32	5258	Seal			
33	3887	Washer, Plain .505 x .942 x .015			
34	4728	Assembly, Kit, Brake Cone			

NOTE: All component dimensions given in U.S. inches
1 inch = 25.4 mm

REPAIR PARTS

10 HP 36" TRACTOR -- MODEL NUMBER 6B1A1A

DECALS



KEY PART NO. NO.

DESCRIPTION

1	135831	Decal, Hood
2	130568	Decal, Stripe, Hood, R.H.
3	130569	Decal, Stripe, Hood, L.H.
4	132627	Decal, Grill
5	127075	Decal, Steering Wheel
6	138804	Decal, Fender Quickshft
7	132628	Decal, Logo, Fender
8	139181	Decal, Center Shift

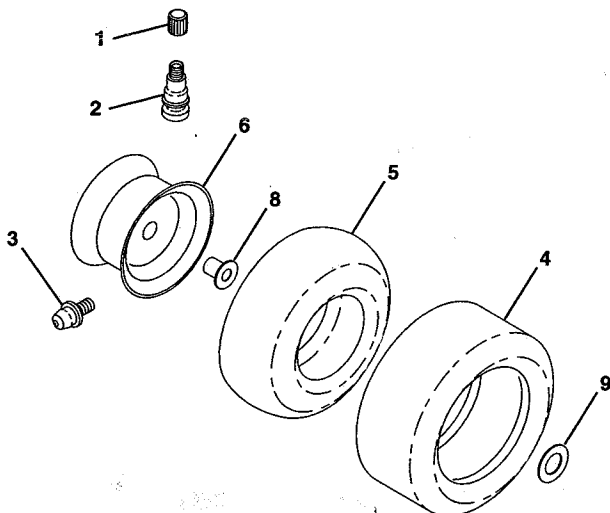
KEY PART NO. NO.

DESCRIPTION

--	123637X	Decal, Instruction, Warning (French /English)
9	125690X	Decal, 100 DBA
11	137259	Decal, Warning, Cut Finger (Multi-language)
--	138698	Manual, Operator's (English)
--	138699	Manual, Operator's (French)
--	139347	Manual, Parts (English/French)
13	133795	Decal, Caution (English / French)

Available accessories are not included with your tractor
 -- CE36 Grass Catcher

WHEELS AND TIRES



KEY PART NO. NO.

DESCRIPTION

1	59192	Cap, Valve, Tire
2	65139	Stem, Valve
3	278H	Fitting, Grease
4	124142X	Tire, Front
	124143X	Tire, Rear
5	59904	Tube, Front Tire (Optional, Service Item Only)
	8134	Tube, Rear Tire (Optional, Service Item Only)
6	122394X311	Rim Assembly, Front
	123412X311	Rim Assembly, Rear
8	9040H	Bearing, Flange
9	121748X	Washer 25/32 x 1-5/8 x 16 Gauge

NOTE: All component dimensions given in U.S. inches
 1 inch = 25.4 mm.