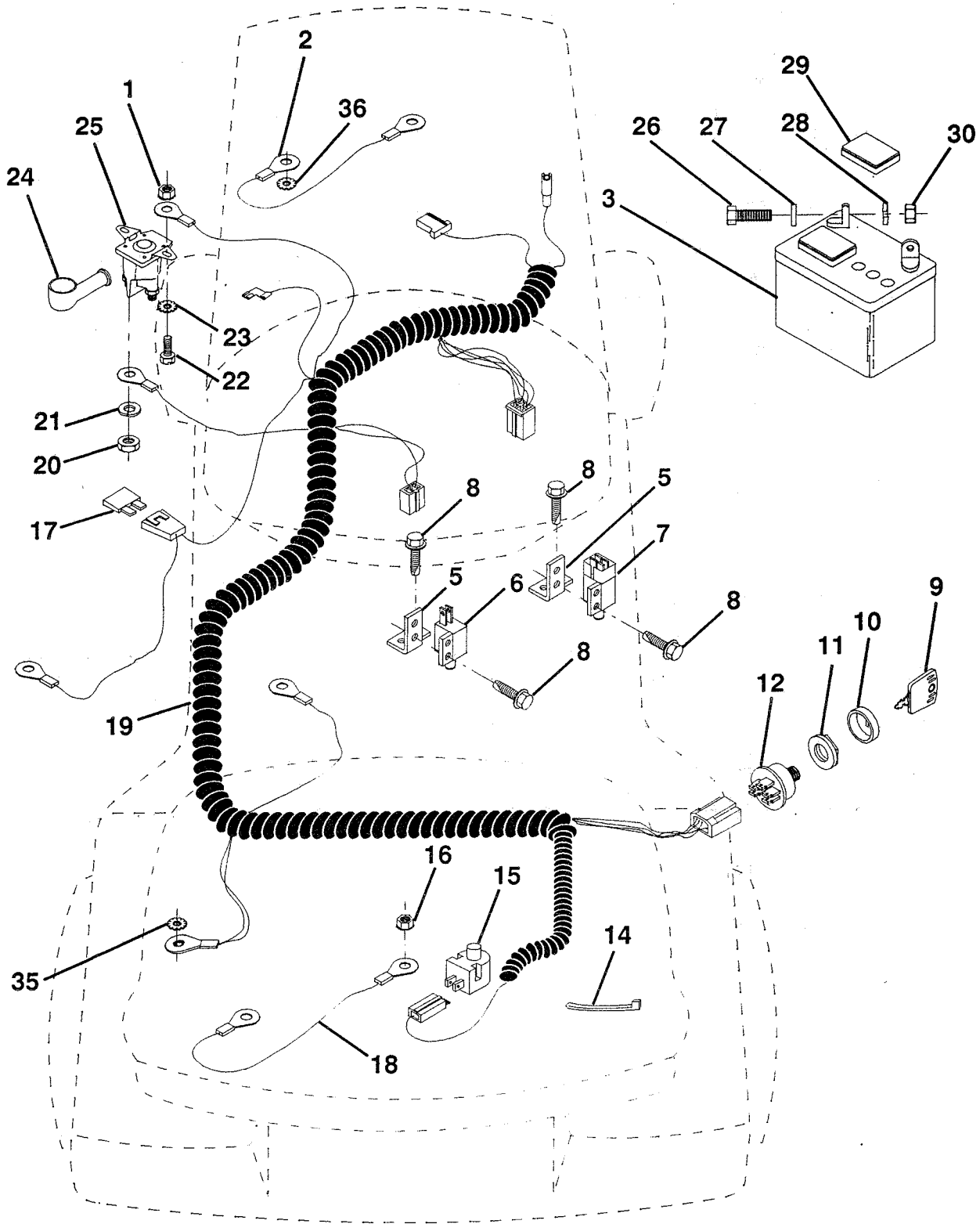


REPAIR PARTS

10 HP 36" TRACTOR -- MODEL NUMBER 6A1A1A

ELECTRICAL



REPAIR PARTS

10 HP 36" TRACTOR - - MODEL NUMBER 6A1A1A

ELECTRICAL

KEY NO.	PART NO.	DESCRIPTION
1	73510400	Nut, Hex, Keps. 1/4-20
2	108423X	Assembly, Cable
3	133909	Battery
5	108236X	Bracekt, Switch
6	104445X	Switch, Interlock
7	109553X	Switch, Interlock
8	17021008	Screw, Hex Head, Tapping #10-24 x 1/2
9	122147X	Key, Molded
10	123620X	Cover, Ignition Key
11	124211X	Nut, Ignition
12	4406R	Switch, Ignition
14	7192J	Tie, Cable
15	121305X	Switch, Plunger
16	73510500	Nut, Hex, Keps 5/16-18
17	108824X	Fuse
18	128353	Assembly, Cable
19	131467	Harness, Ignition
20	73350400	Nut, Hex, Jam 1/4-20
21	10090400	Washer, Lock 1/4
22	74780408	Bolt, Hex, Fin. 1/4-20 UNC x 1/2 Grade 5
23	11050400	Washer, Lock External Tooth 1/4
24	131563	Cover, Terminal
25	138406	Solenoid
26	74760412	Bolt, Hex Head 1/4-20 UNC x 3/4
27	19091016	Washer 9/32 x 5/8 x 16
28	10040400	Washer, Lock 1/4
29	121264X	Cap, Battery
30	73220400	Nut, Hex, Fin. 1/4-20 UNC
35	11050600	Washer, Lock, External Tooth 3/8
36	11150400	Washer Lock Int Tooth 1/4

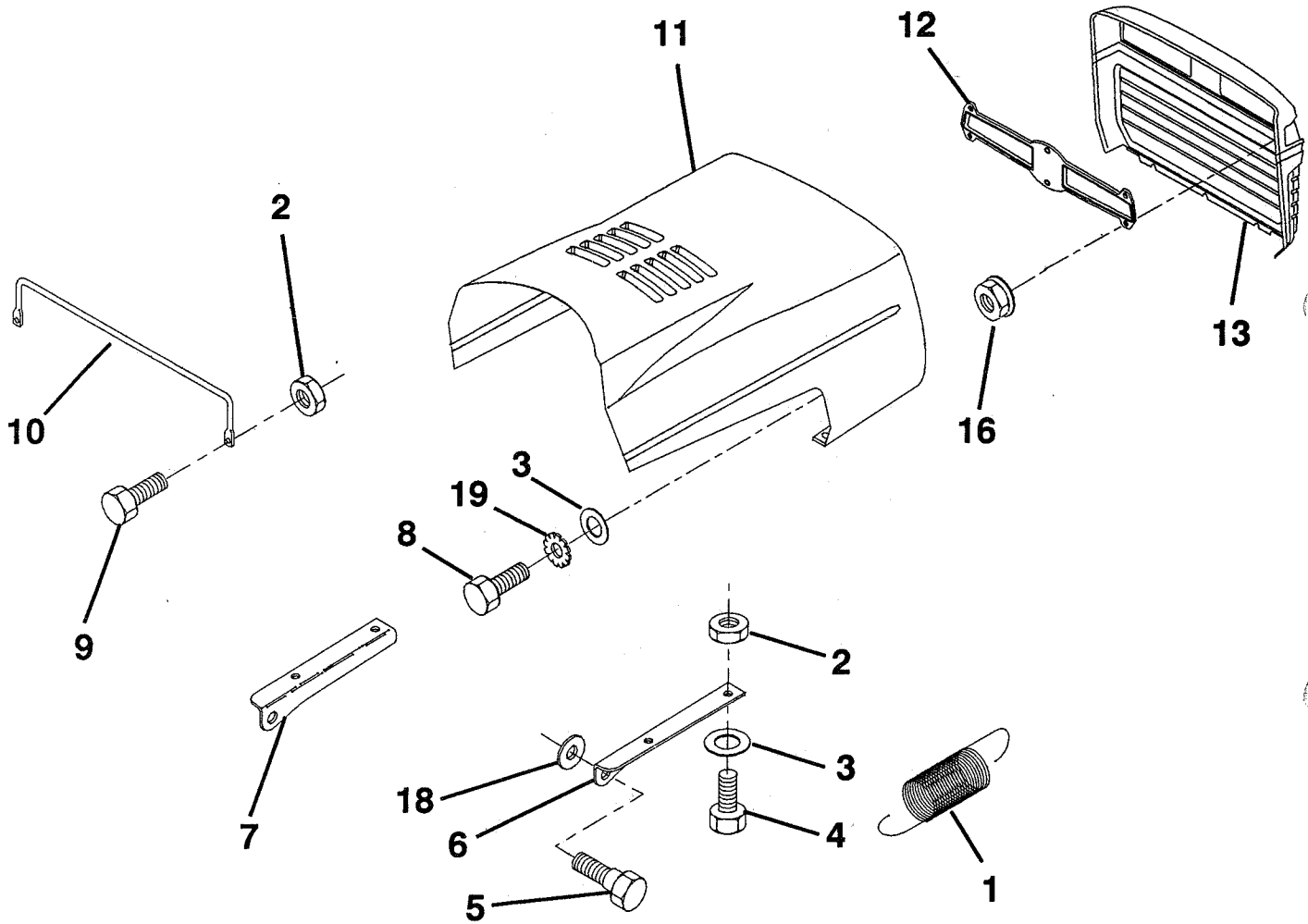
NOTE: All component dimensions given in U.S. inches.
1 inch = 25.4 mm

HARDWARE SHOWN LARGER FOR EASIER IDENTIFICATION

REPAIR PARTS

10 HP 36" TRACTOR -- MODEL NUMBER 6A1A1A

HOOD



KEY NO.	PART NO.	DESCRIPTION
1	124657X	Spring, Extension
2	73510400	Nut, Hex, Keps 1/4-20 UNC
3	19091016	Washer 9/32 x 5/8 x 16 Gauge
4	74780410	Bolt, Hex, Fin 1/4-20 UNC x 5/8 Grade 5
5	126675X	Bolt, Shoulder
6	122549X	Bracket, Hood, R.H.
7	122548X	Bracket, Hood, L.H.
8	17411310	Screw, Hex, Fin #13-16 Hi-Lo x 5/8

KEY NO.	PART NO.	DESCRIPTION
9	74780412	Bolt, Hex, Fin 1/4-20 x 3/4 Grade 5
10	123693X	Brace, Hood
11	132918X505	Hood
12	127178	Lens
13	134232X428	Grill
16	124346X	Nut Self Thd Wsh Hd 1/4
18	19111116	Washer 11/32 x 11/16 x 16 Ga.
19	11030400	Washer Lock Int/Ext Tooth 1/4

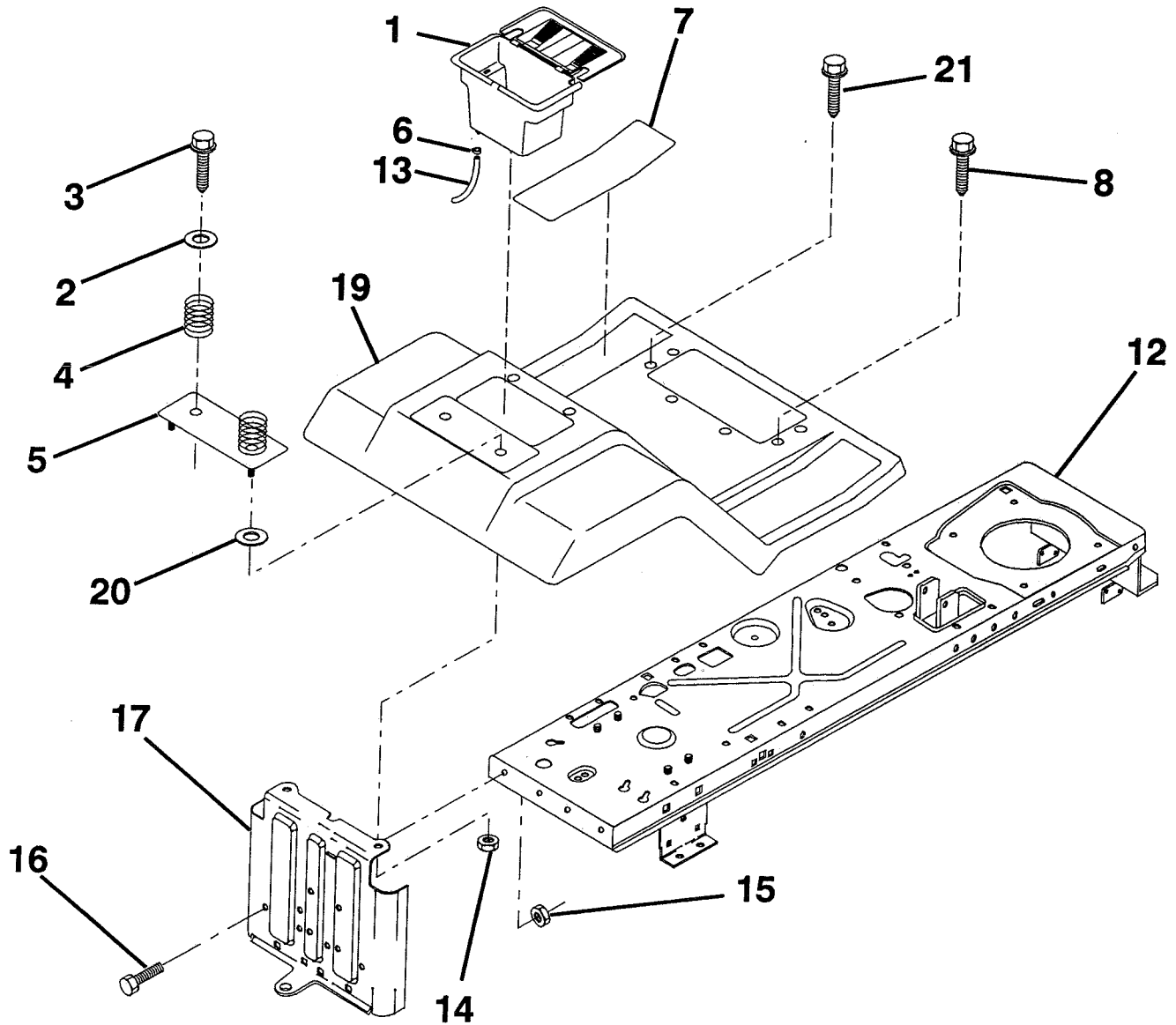
NOTE: All component dimensions given in U.S. inches.
1 inch = 25.4 mm

HARDWARE SHOWN LARGER FOR EASIER IDENTIFICATION

REPAIR PARTS

10 HP 36" TRACTOR -- MODEL NUMBER 6A1A1A

FENDER / CHASSIS



KEY NO.	PART NO.	DESCRIPTION	KEY NO.	PART NO.	DESCRIPTION
1	129965	Case, Battery	13	109238X	Tube, Battery Drain
2	19132012	Washer 13/32 x 1-1/4 x 12 Gauge	14	73510400	Nut, Hex, Keps 1/4-20
3	17490612	Screw, Hex Washer Head, Thd. Roll. 3/8-16 x 3/4	15	73680500	Nut, Crownlock 5/16-18
4	124181X	Spring, Compression, Seat	16	74760512	Bolt, Hex 5/16-18 UNC x 3/4
5	127115X505	Plate, Battery	17	127880	Drawbar
6	109596X	Clamp, Hose	19	131810X505	Fender/Foostrest
7	124144X	Pad, Footrest	20	19091413	Washer 9/32 x 7/8 x 13 Gauge
8	17490512	Screw, Hex Washer Head, Thd. Roll. 5/16-18 x 3/4	21	17490516	Screw Hex Wh Thd Rol 5/16-18 x 1
12	137097	Assembly, Frame			

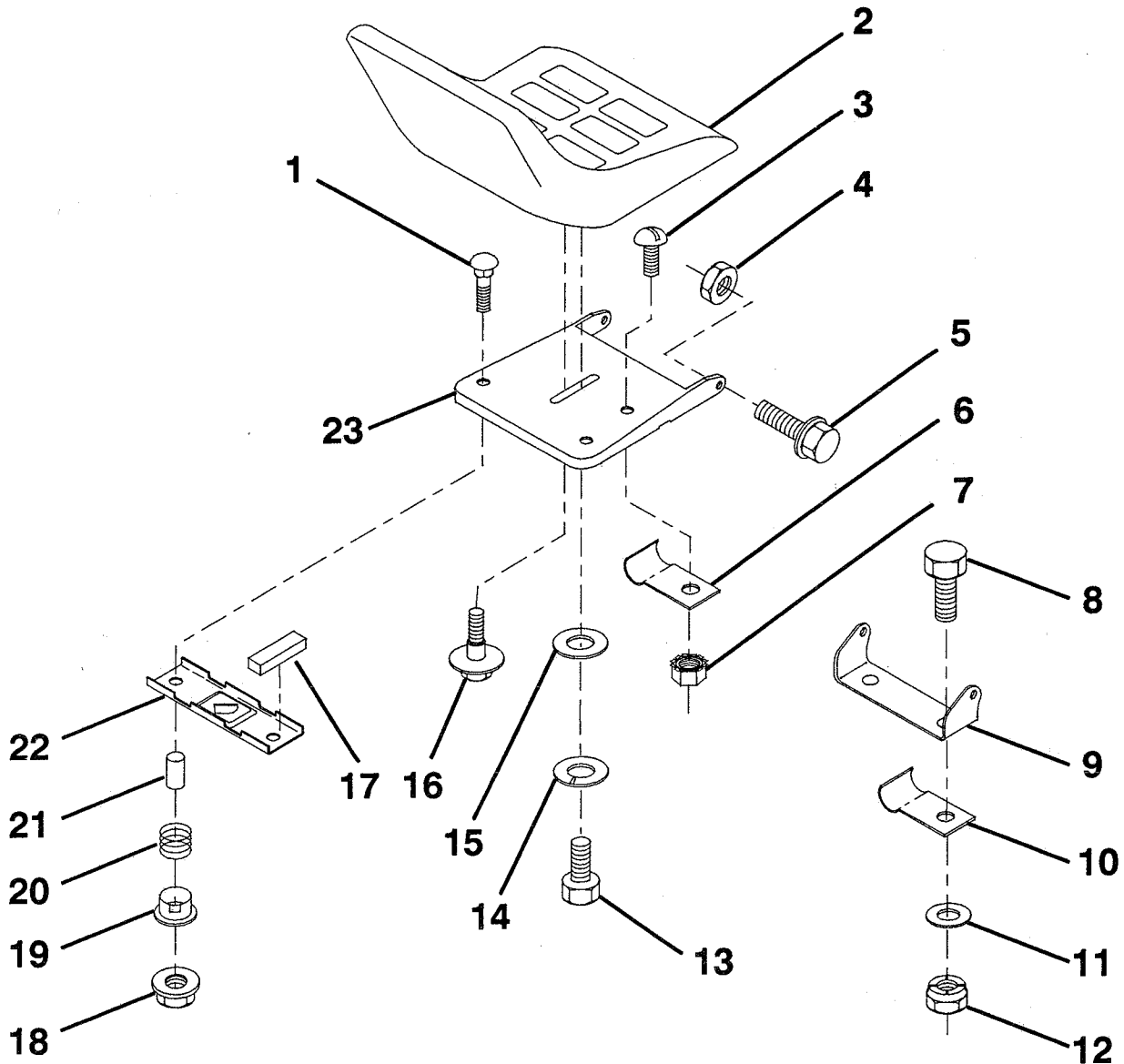
NOTE: All component dimensions given in U.S. inches.
1 inch = 25.4 mm

HARDWARE SHOWN LARGER FOR EASIER IDENTIFICATION

REPAIR PARTS

10 HP 36" TRACTOR - - MODEL NUMBER 6A1A1A

SEAT



KEY NO.	PART NO.	DESCRIPTION
1	72050411	Bolt, Carriage 1/4-20 x 1-3/8
2	134647	Seat
3	74641008	Screw, Slotted Pan Head #10-32 x 1/2
4	73680500	Nut, Crownlock 5/16-18
5	105529X	Bolt, Shoulder 5/16-18 UNC
6	4171R	Clip, Insulated
7	73951000	Nut, Keps #10-32 UNF
8	74760612	Bolt, Hex, Fin 3/8-16 UNC x 3/4
9	126656X	Bracket, Pivot, Seat
10	126471X	Clip, Insulated
11	19131210	Washer 13/32 x 3/4 x 10 Gauge
12	73680600	Nut, Crownlock 3/8-16 UNC

KEY NO.	PART NO.	DESCRIPTION
13	74780814	Bolt, Fin Hex 1/2 - 13 x 7/8 Gr. 5
14	10040800	Washer Lock Hvy HLCL Spr. 1/2
15	19171912	Washer 17/32 x 13/16 x 12 Gauge
16	127018X	Bolt, Shoulder
17	121251X	Strip, Foam
18	123976X	Locknut, Hex, Large, Flange
19	121248X	Bushing, Snap
20	121250X	Spring, Compression
21	134300	Spacer, Split, Large .28 Id. x .96
22	121246X	Bracket, Switch, Mounting
23	131451	Pan, Seat

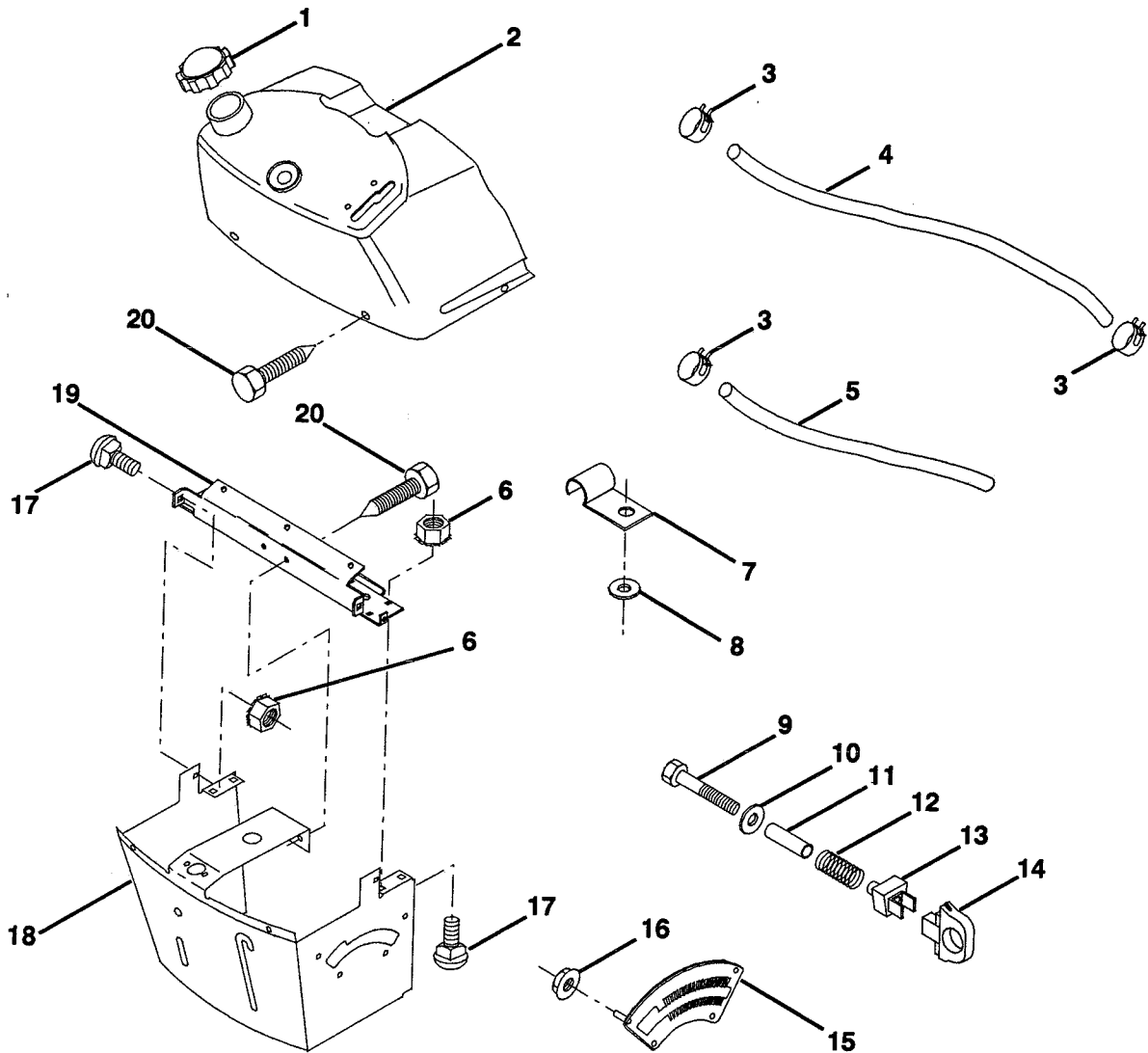
NOTE: All component dimensions given in U.S. inches.
1 inch = 25.4 mm

HARDWARE SHOWN LARGER FOR EASIER IDENTIFICATION

REPAIR PARTS

10 HP 36" TRACTOR -- MODEL NUMBER 6A1A1A

DASH



KEY PART
NO. NO.

DESCRIPTION

1	132734	Cap, Fuel
2	138393	Assembly, Dash & Fuel Tank
3	123487X	Clamp, Hose
4	8544R	Line, Fuel
5	8548R	Line, Fuel
6	73510400	Nut, Hex, Keps 1/4-20
7	2751R	Clip, Fuel Line
8	19091216	Washer 9/32 x 3/4 x 16 Gauge
9	74760428	Bolt, Hex, Fin. 1/4-20 x 1-3/4
10	19091413	Washer 11/32 x 11/16 x 16 Gauge
11	121249X	Spacer, Split
12	3720R	Spring

KEY PART
NO. NO.

DESCRIPTION

13	126450X	Clip, Height Adjustment
14	126115X	Knob, Height Stop
15	122023X	Adjustment, Quadrant Height
16	124346X	Nut, Self-Threading 3/16-18
17	72110404	Bolt, Carriage 1/4-20 x 1/2 Grade 5
18	130745	Support Assembly, Dash
19	134744	Brace, Cross
20	17060408	Screw Tap R 1/4-20 x 1/2

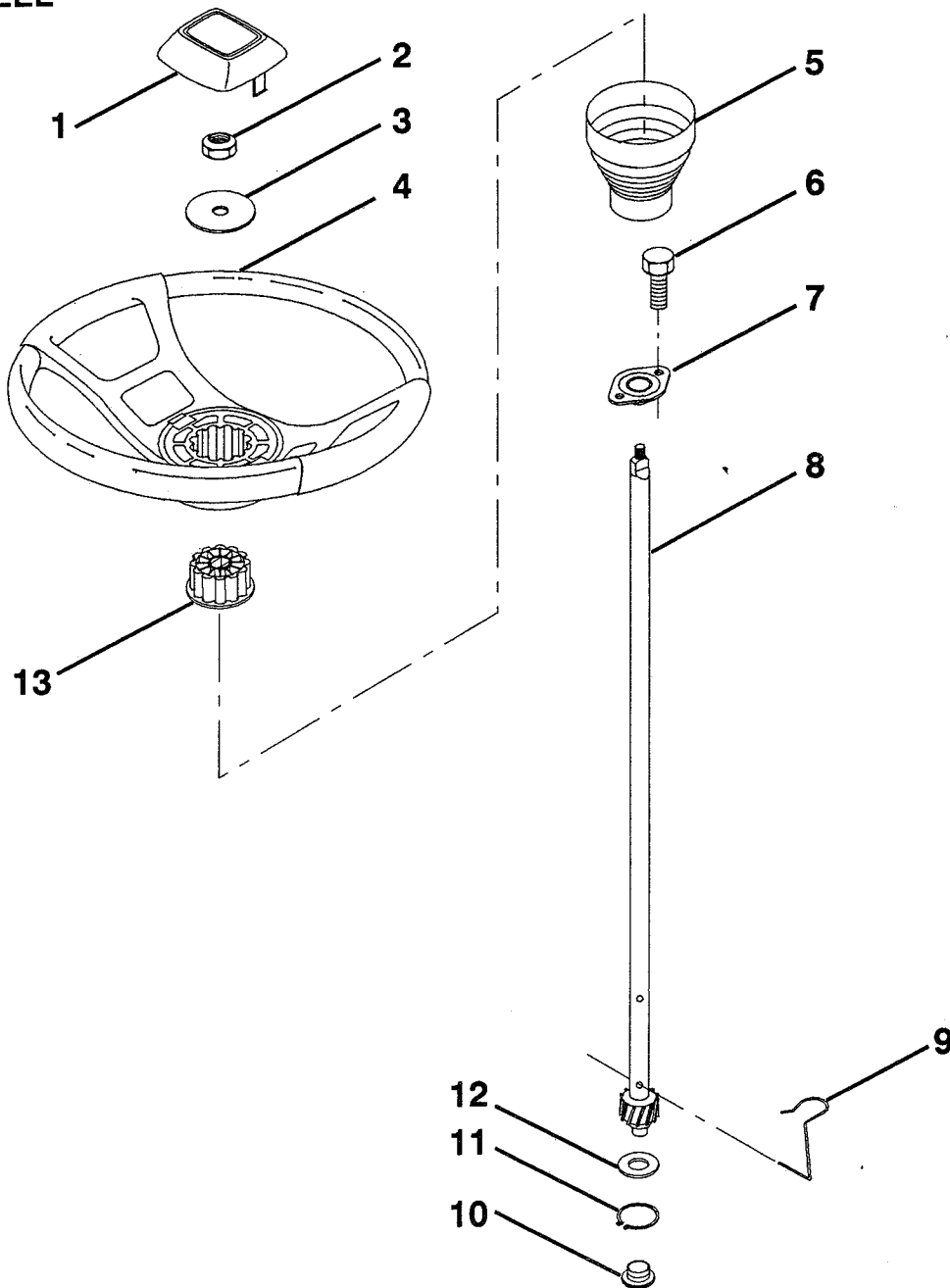
NOTE: All component dimensions given in U.S. inches.
1 inch = 25.4 mm

HARDWARE SHOWN LARGER FOR EASIER IDENTIFICATION

REPAIR PARTS

10 HP 36" TRACTOR - - MODEL NUMBER 6A1A1A

STEERING WHEEL



KEY NO.	PART NO.	DESCRIPTION
1	133742	Insert, Steering Wheel
2	7810H	Locknut 3/8-24 UNF
3	19133808	Washer 13/32 x 2-3/8 x 8 Ga.
4	133741	Wheel, Steering
5	121897X	Sleeve, Steering
6	17431008	Screw, Hex Self-Tapping #10-16 x 1/2
7	102803X	Bushing, Steering
8	123651X	Shaft, Steering

KEY NO.	PART NO.	DESCRIPTION
9	124210X	Clip, Steering
10	123438X	Bushing, Lower, Steering
11	12000045	Ring, Retaining
12	19211616	Washer 21/32 x 1 x 16 Ga.
13	104820X	Adaptor, Steering Wheel

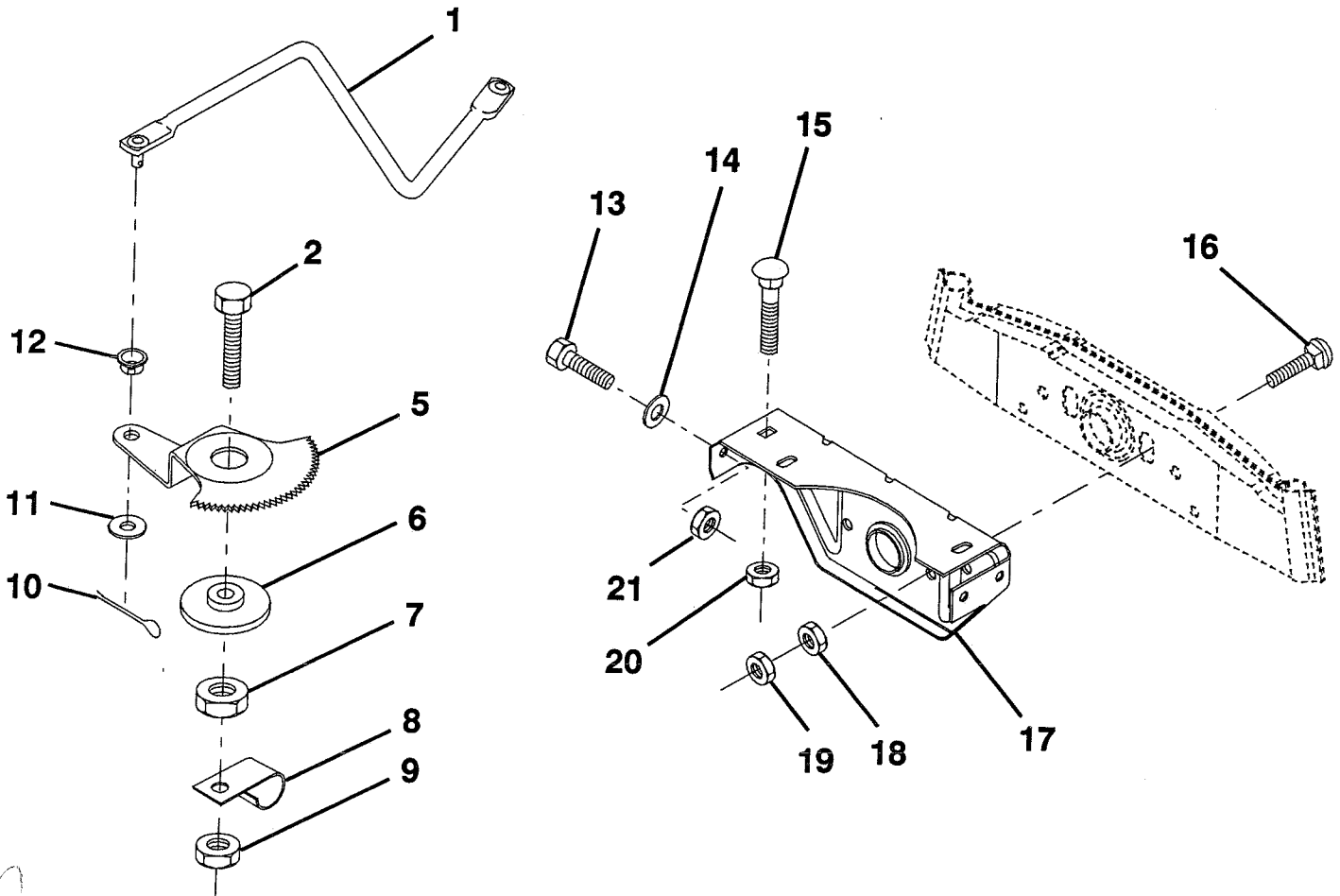
NOTE: All component dimensions given in U.S. inches.
1 inch = 24.5 mm

HARDWARE SHOWN LARGER FOR EASIER IDENTIFICATION

REPAIR PARTS

10 HP 36" TRACTOR - - MODEL NUMBER 6A1A1A

SECTOR GEAR / AXLE SUPPORT



KEY NO.	PART NO.	DESCRIPTION
1	132566	Link, Drag
2	74780828	Bolt, Hex, Fin. 1/2-13 x 1-3/4
5	121926X	Gear, Sector
6	121927X	Bushing
7	73030800	Nut, Heavy, Hex, Top Lock 1/2-13 UNC
8	126472X	Clip, Wire
9	73680800	Nut, Crownlock 1/2-13
10	76020412	Pin, Cotter 1/8 x 3/4
11	19131316	Washer 13/32 x 13/16 x 16 Ga.

KEY NO.	PART NO.	DESCRIPTION
12	126847X	Bushing
13	74760512	Bolt, Hex Hd. 5/16-18 x 3/4
14	19111416	Washer 11/32 x 7/8 x 16 Ga.
15	72110606	Bolt, Carriage 3/8-16 UNC x 3/4
16	72140622	Bolt, Carriage 3/8-16 x 2-3/4
17	121912X	Support, Front Axle
18	73220600	Nut, Hex, Fin. 3/8-16 UNC
19	73930600	Nut, Centerlock 3/8-16 UNC
20	73680600	Nut, Crownlock 3/8-16 UNC
21	73680500	Nut, Crownlock 5/16-18

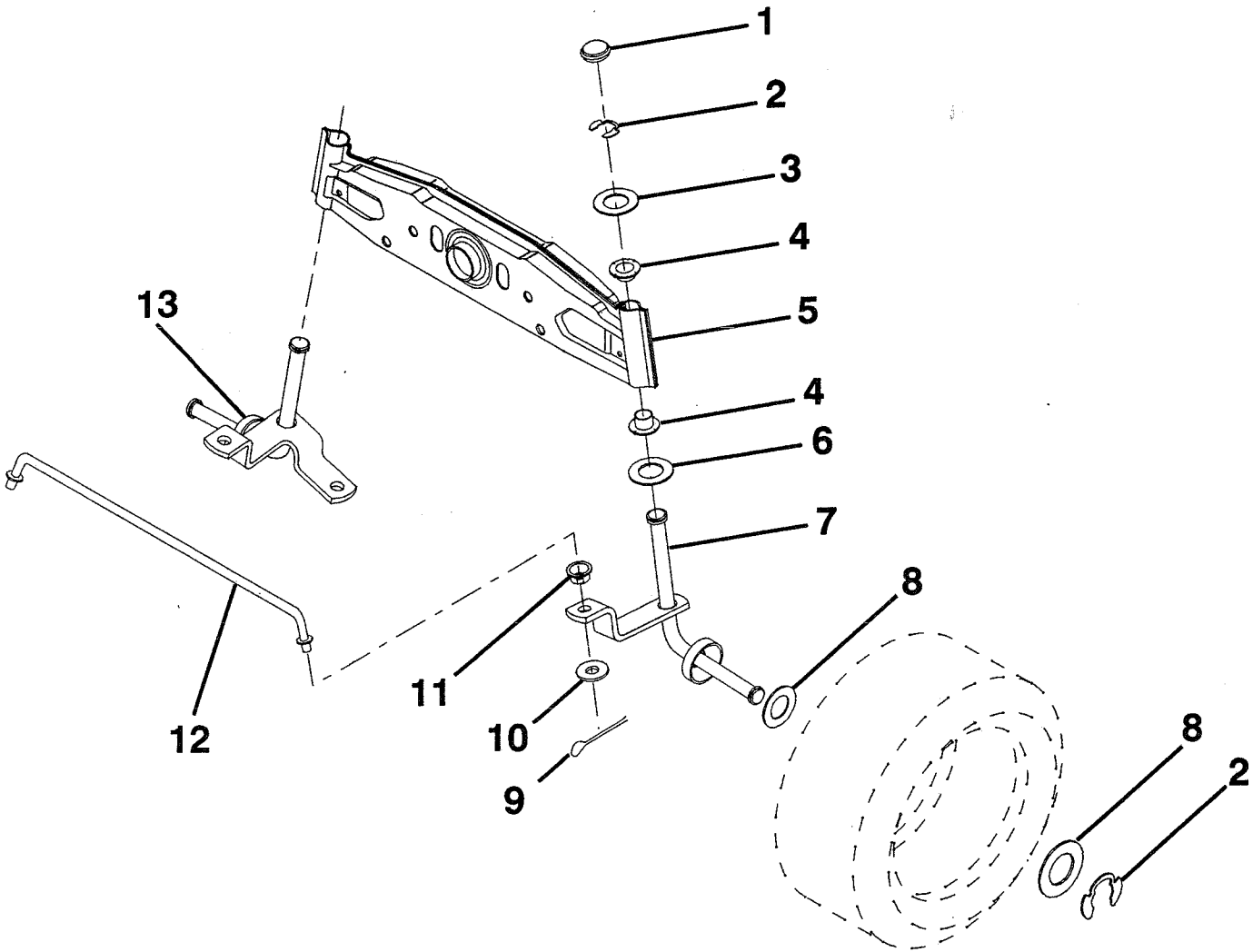
NOTE: All component dimensions given in U.S. inches.
1 inch = 25.4 mm

HARDWARE SHOWN LARGER FOR OR EASIER IDENTIFICATION

REPAIR PARTS

10 HP 36" TRACTOR -- MODEL NUMBER 6A1A1A

FRONT AXLE



KEY NO.	PART NO.	DESCRIPTION
1	121232X	Cap, Spindle
2	12000029	Ring, Klip
3	121748X	Washer 25/32 x 1-5/8 x 16 Gauge
4	121922X	Nyloner
5	121914X	Axle, Front
6	6266H	Bearing, Thrust
7	121919X	Spindle Assembly, R.H.
8	121749X	Washer 25/32 x 1-1/4 x 16 Gauge
9	76020412	Pin, Cotter 1/8 x 3/4

KEY NO.	PART NO.	DESCRIPTION
10	19131316	Washer 13/32 x 13/16 x 16 Gauge
11	126847X	Bushing
12	121924X	Rod, Tie
13	121916X	Spindle Assembly, L.H.

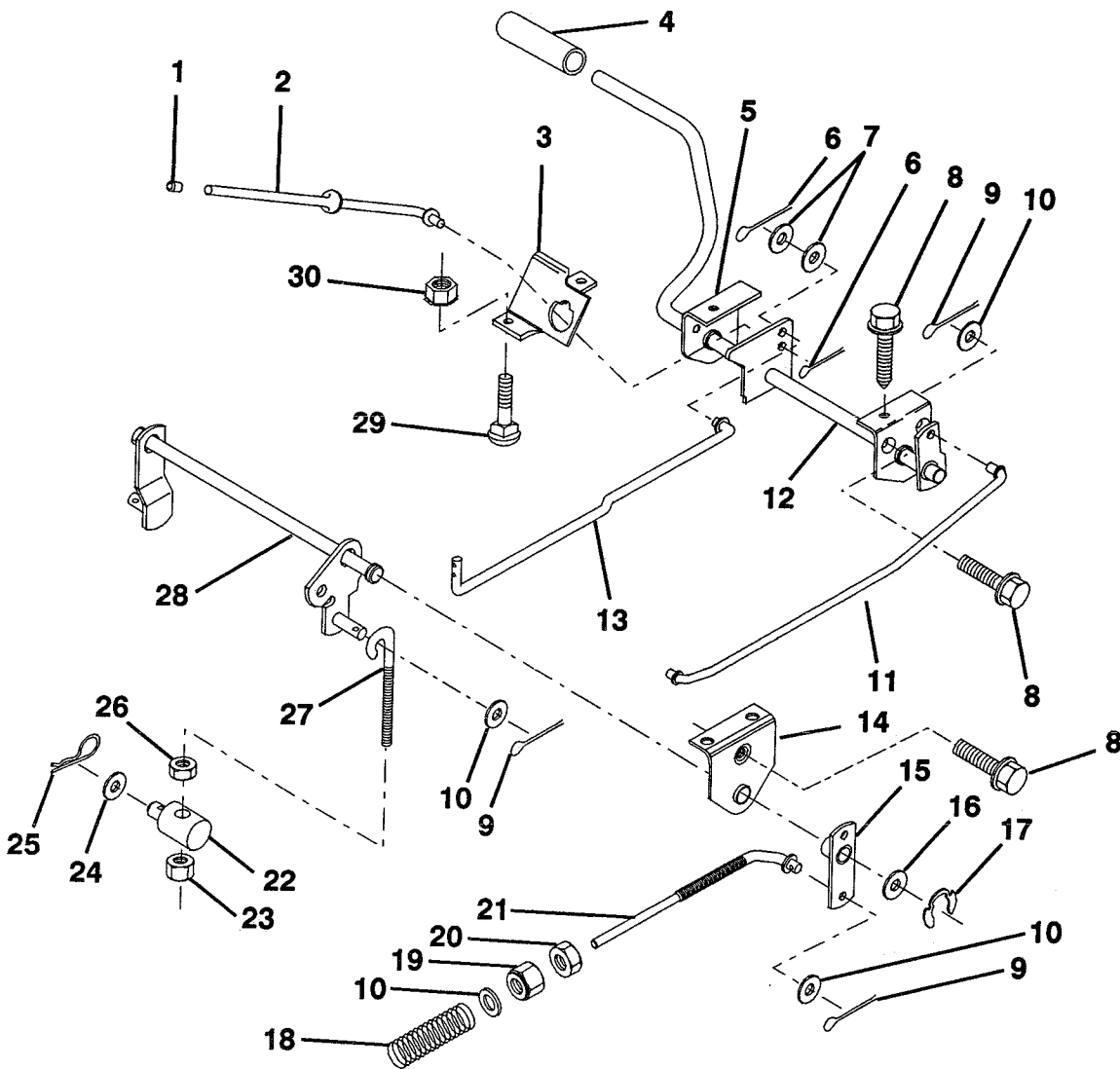
NOTE: All component dimensions given in U.S. inches
1 inch = 25.4 mm

HARDWARE SHOWN LARGER FOR EASIER IDENTIFICATION

REPAIR PARTS

10 HP 36" TRACTOR -- MODEL NUMBER 6A1A1A

BRAKE / REAR MOWER LIFT ASSEMBLY



KEY PART
NO. NO.

DESCRIPTION

1	71673	Cap, Parking Brake
2	123436X	Rod, Parking Brake
3	123437X	Bracket, Parking Brake
4	8156H	Cover, Pedal
5	122504X	Bracket, Pedal Clutch LH
6	76020312	Pin, Cotter 3/32 x 3/4
7	19131016	Washer 13/32 x 5/8 x 16 Gauge
8	17490508	Screw, Hex, Thd. Roll. 5/16-18 x 1/2
9	76020412	Pin, Cotter 1/8 x 3/4
10	19131316	Washer 13/32 x 13/16 x 16 Gauge
11	123543X	Rod, Front Brake
12	129567	Assembly, Clutch/Brake Pedal
13	123394X	Rod, Clutch
14	121978X	Bracket, Lift, Shaft
15	123641X	Assembly, Brake, Pivot, Arm
16	19251816	Washer 25/32 x 1-1/8 x 16 Gauge
17	12000034	Ring, Klip

KEY PART
NO. NO.

DESCRIPTION

18	106888X	Spring, Brake Rod
19	73800600	Nut, Lock Hex W/Wsh 3/8-16
20	73350600	Nut, Hex, Jam 3/8-16 UNC
21	131936	Rod, Rear Brake
22	127378	Trunnion, Lift
23	73680600	Nut, Crownlock 3/8-16 UNC
24	19132012	Washer 13/32 x 1-1/4 x 12 Gauge
25	4921H	Spring, Retainer
26	73930600	Nut, Centerlock 3/8-16 UNC
27	127369	Link, Threaded
28	127358	Assembly, Rear Mower Lift
29	72110506	Bolt, Carriage 5/16-18 UNC x 3/4
30	73510500	Nut, Keps 5/16-18 UNC

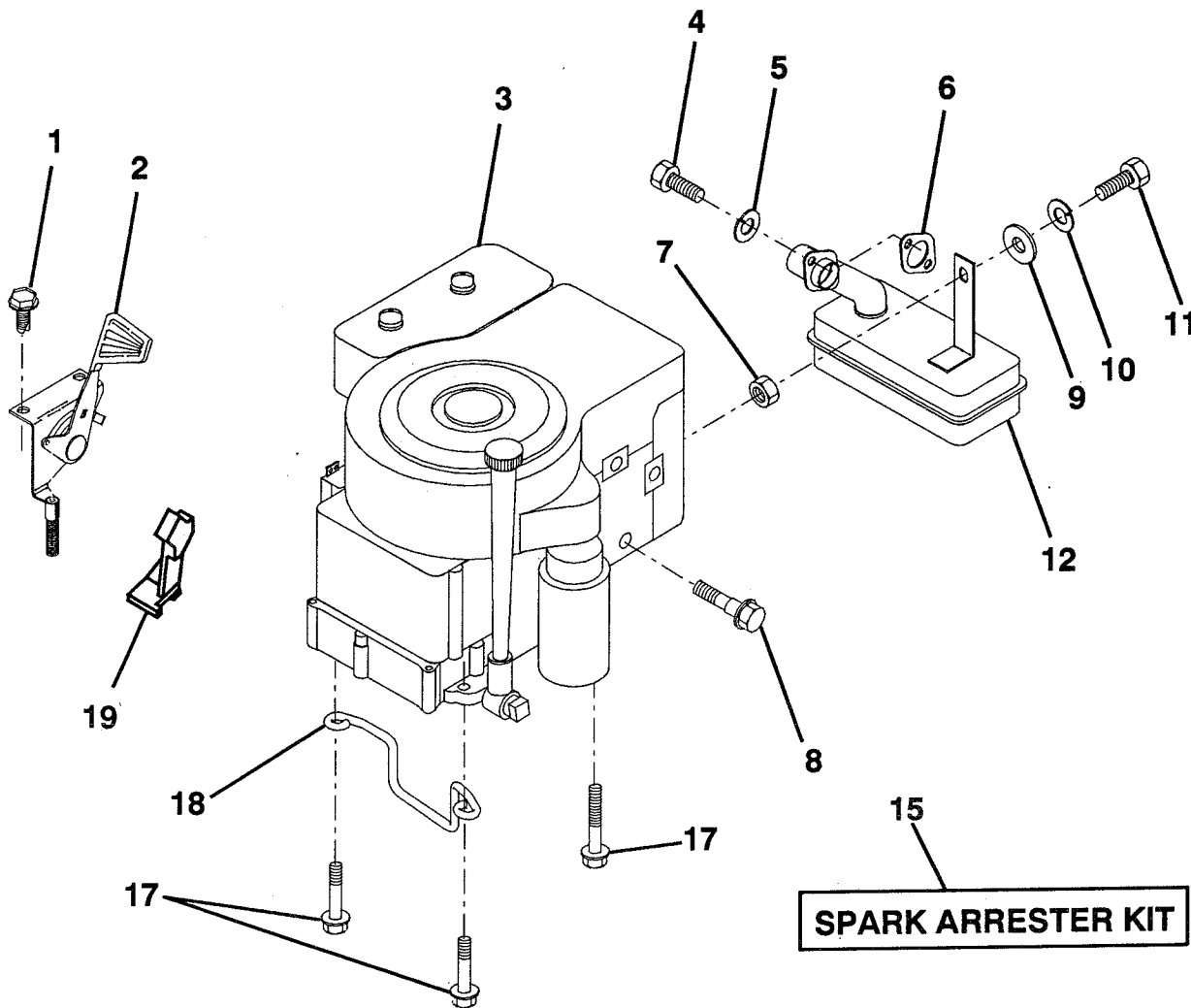
NOTE: All component dimensions given in U.S. inches
1 inch = 25.4 mm

HARDWARE SHOWN LARGER FOR EASIER IDENTIFICATION

REPAIR PARTS

10 HP 36" TRACTOR - - MODEL NUMBER 6A1A1A

ENGINE / THROTTLE



KEY PART NO. NO.

DESCRIPTION

1	17060408	Screw, TA Semi-Gimlet 1/4-20 x 1/2
2	133025	Control, Throttle
3	-----	Engine, Briggs and Stratton, 10 HP Model No. 254707
4	71070512	Screw, Hex Head Cap 5/16-18 x 3/4
5	10040500	Washer, Lock, Heavy Helical Spring 5/16
6	125593X	Gasket, Exhaust
7	73220500	Nut Fin Hex 5/16-18
8	121094X	Bolt, Shoulder 5/16 UNC

KEY PART NO. NO.

DESCRIPTION

9	19101216	Washer 5/16 x 3/4 x 16 Gauge
10	10040400	Washer, Lock, Heavy Helical Spring 1/4
11	74760416	Bolt, Hex, Fin 1/4-20 UNC x 1
12	137437	Muffler
15	137180	Kit, Spark Arrester (Optional)
17	17490624	Screw, Hex Washer Head, Thd. Roll. 3/8-16 x 1-1/2
18	126636X	Keeper, Ground Drive Belt
19	127951	Stop, Throttle

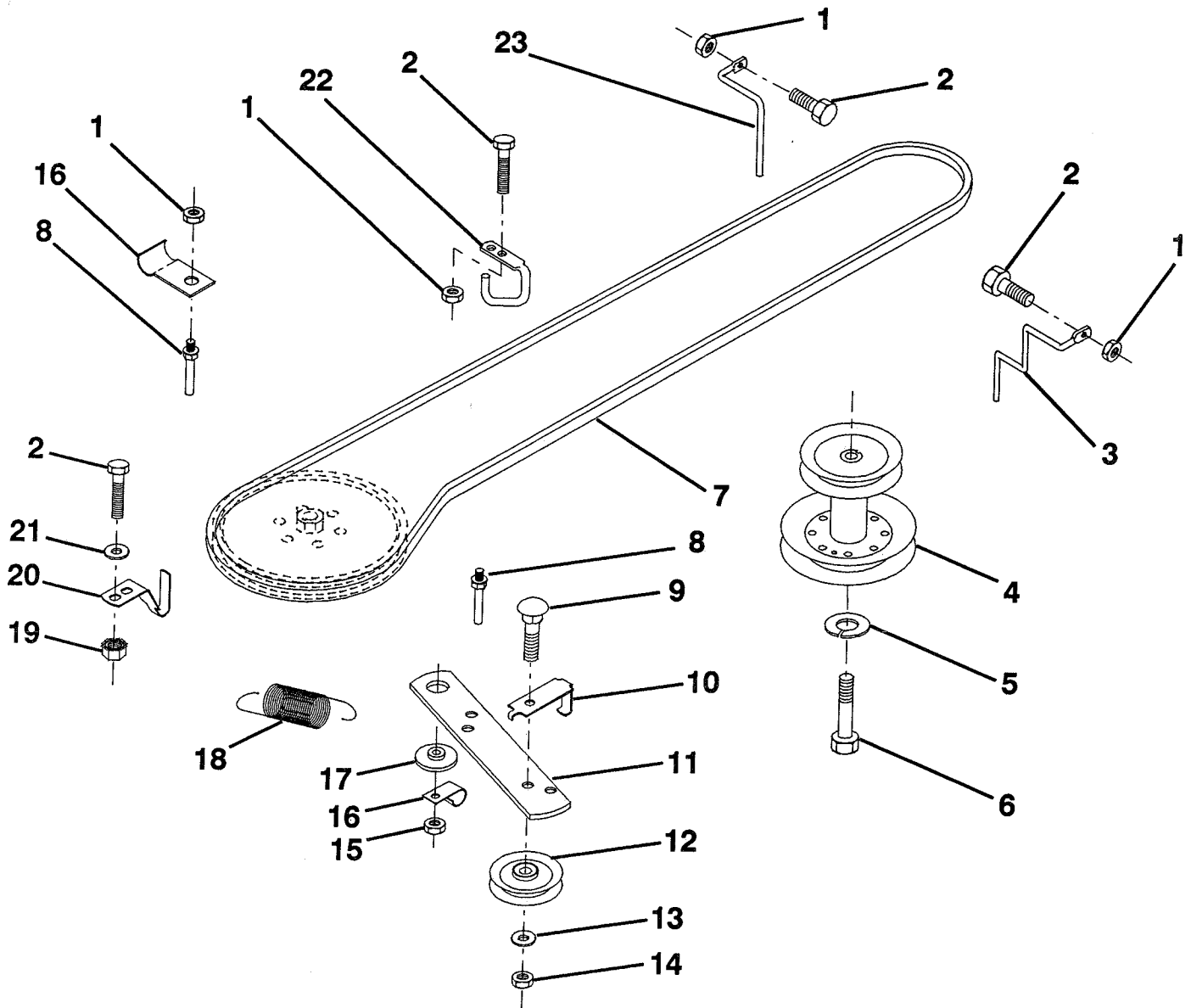
NOTE: All component dimensions given in U.S. inches
1 inch = 25.4 mm

HARDWARE SHOWN LARGER FOR EASIER IDENTIFICATION

REPAIR PARTS

10 HP 36" TRACTOR - - MODEL NUMBER 6A1A1A

GROUND DRIVE



KEY NO.	PART NO.	DESCRIPTION	KEY NO.	PART NO.	DESCRIPTION
1	73680500	Nut, Crownlock 5/16-18	13	19131316	Washer 13/32 x 13/16 x 16 Gauge
2	74760512	Bolt, Hex 5/16-18 UNC x 3/4	14	73930600	Nut, Centerlock 3/8-16 UNC
3	131205	Keeper, Mower Drive Belt, Engine, R.H.	15	73680600	Nut, Crownlock 3/8-16 UNC
4	134828	Pulley, Engine	16	126471X	Clip, Insulated
5	10040700	Washer, Lock, Heavy Helical Spring 7/16	17	122052X	Spacer, Retainer
6	71170744	Bolt, Hex, 7/16-20 x 2-3/4 Grade 5	18	131459	Spring, Extension
7	124525X	Traction, V-Belt Drive	19	73510500	Nut, Keps 5/16-18 UNC
8	123405X	Keeper, T/A Ground Drive Belt	20	123891X	Keeper, T/A Ground Drive Belt
9	72140612	Bolt, Carriage 3/8-16 UNC x 1-1/2	21	19111016	Washer 11/32 x 5/8 x 16 Gauge
10	123396X	Keeper, Ground Drive Belt, Idler	22	123404X	Keeper, Ground Drive Belt, Frame
11	123395X	Arm, Ground Drive Clutch	23	131204	Keeper, Mower Drive Belt, L.H.
12	4859J	Idler, Flat			

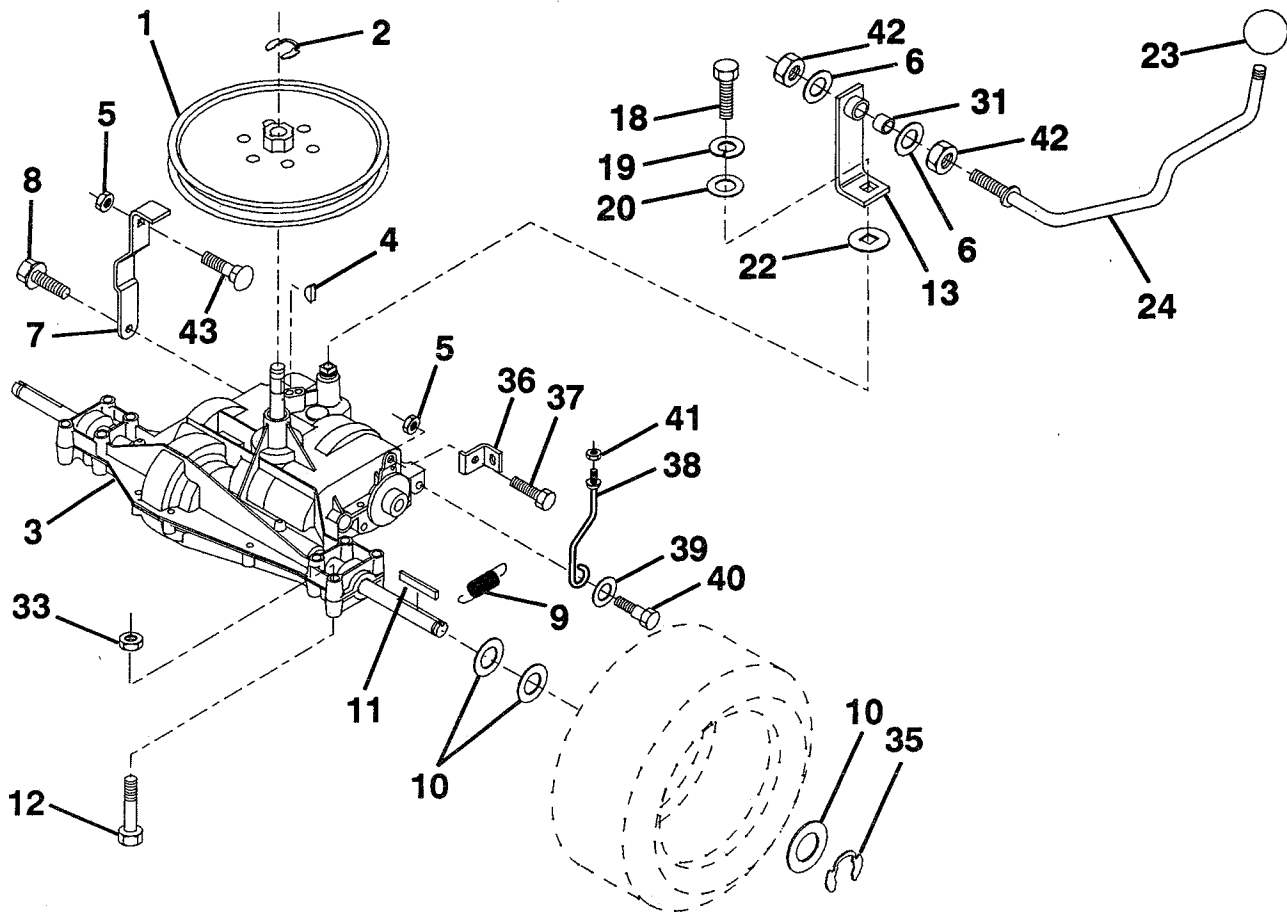
NOTE: All component dimensions given in U.S. inches
1 inch = 25.4 mm

HARDWARE SHOWN LARGER FOR EASIER IDENTIFICATION

REPAIR PARTS

10 HP 36" TRACTOR - - MODEL NUMBER 6A1A1A

TRANSAXLE



KEY NO.	PART NO.	DESCRIPTION
1	123385X	Pulley
2	1200028	Ring, Retainer
3	131945	Transaxle Model Number 2000-07
4	2228M	Key, Woodruff #9
5	73680500	Nut, Crownlock 5/16-18
6	10040700	Washer, Lock Hvy Hlcl Spr 7/16
7	131939	Strap, Torque
8	17490512	Screw 5/16-18 x 3/4
9	110422X	Spring, Brake
10	121749X	Washer 25/32 x 1-1/4 x 16 Gauge
11	123583X	Key, Square
12	74760644	Bolt Fin Hex 5/16-18 x 2-1/2
13	137491	Bracket Asm Shift Center
18	71040412	Bolt, Hex, Fin. 1/4-28 UNF x 3/4 Grade 8
19	10040400	Washer, Lock 1/4
20	19091210	Washer 9/32 x 3/4 x 10 Gauge

KEY NO.	PART NO.	DESCRIPTION
22	105701X	Washer, Shift Plate
23	106933X	Knob, Shift Control
24	131930	Rod, Shift Cntr LR
31	132985	Spacer
33	73680600	Nut, Crownlock 3/8 - 16 UNC
35	12000001	E-Ring
36	131935	Bracket, Brake
37	74760512	Bolt, Hex 5/16-18 x 3/4
38	131937	Keeper, Belt RH
39	19171612	Washer 17/32 x 1 x 12 Ga.
40	132827	Bolt Shoulder 5/16-18
41	73800500	Locknut Hex w/Ins 5/16-18
42	73220700	Nut, Hex ASF 7/16-14
43	72140506	Bolt, Carriage 5/16-18 UNC x 3/4

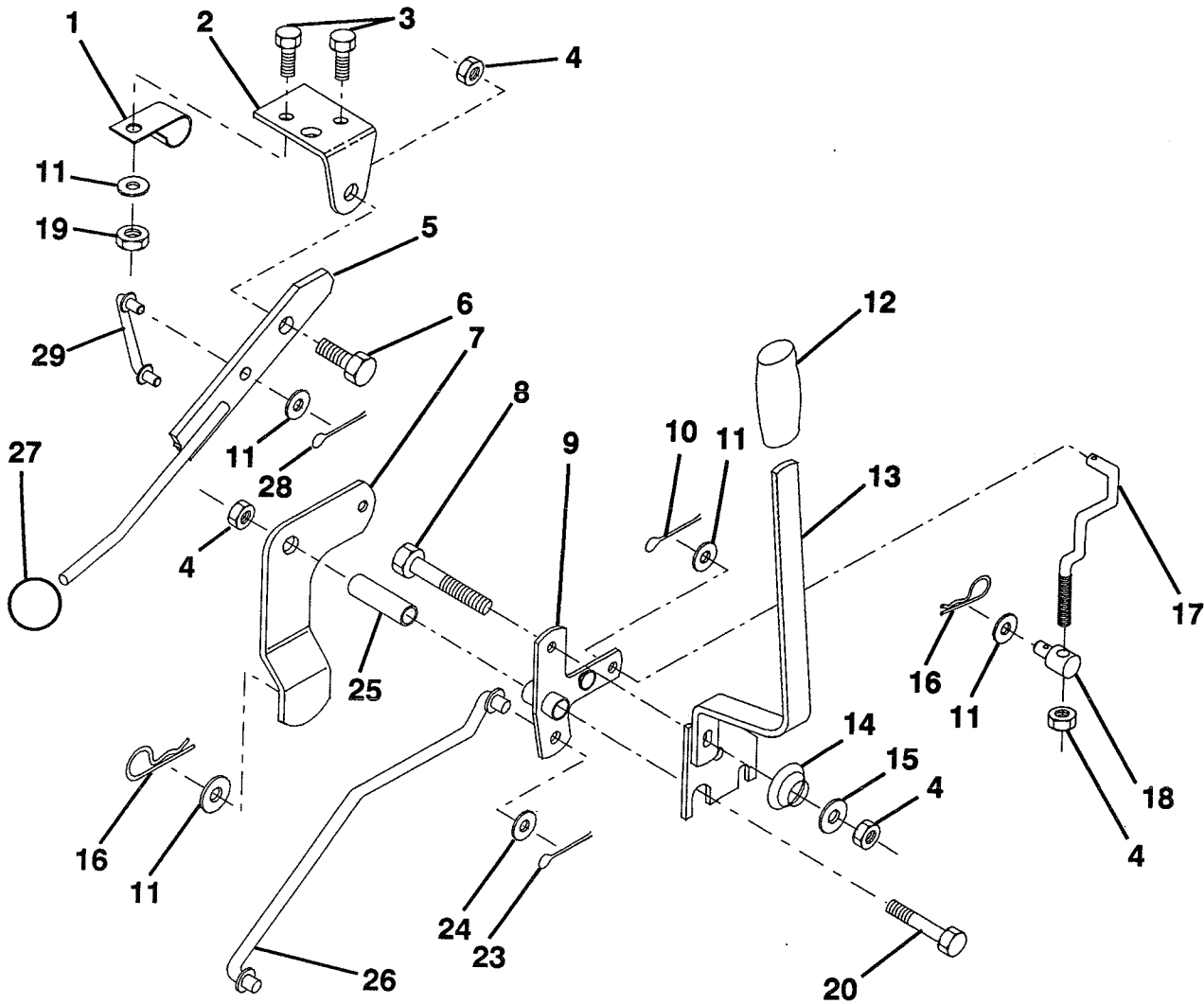
NOTE: All component dimensions given in U.S. inches
1 inch = 25.4 mm

HARDWARE SHOWN LARGER FOR EASIER IDENTIFICATION

REPAIR PARTS

10 HP 36" TRACTOR -- MODEL NUMBER 6A1A1A

MOWER LIFT LEVER



KEY NO.	PART NO.	DESCRIPTION
1	126470X	Clip, Insulated
2	122018X	Bracket, Mower Clutch
3	74780408	Bolt, Hex, Fin 1/4-20 UNC x 1/2 Grade 5
4	73680600	Nut, Crownlock 3/8-16 UNC
5	123417X	Assembly, Clutch Lever
6	106451X	Bolt, Shoulder
7	135371	Assembly, Mower Clutch Arm
8	74760636	Bolt, Hex 3/8-16 UNC x 2-1/4
9	121930X	Assembly, Bellcrank, Lift
10	76020412	Pin, Cotter 1/8 x 3/4
11	19131316	Washer 13/32 x 13/16 x 16 Gauge
12	131861	Sleeve, Handle
13	127028	Assembly, Lift Handle
14	123496X	Spring, Compression
15	19131212	Washer 13/32 x 3/4 x 12 Gauge
16	4921H	Retainer, Spring

KEY NO.	PART NO.	DESCRIPTION
17	127359	Link, Front Lift
18	133205	Trunnion, Threaded 3/8-16
19	73680400	Nut, Crownlock 1/4-20
20	74760644	Bolt, Hex, Fin. 3/8-16 UNC x 2-3/4
23	76020416	Pin, Cotter 1/8 x 1
24	19171616	Washer 17/32 x 1 x 16 Gauge
25	121933X	Tube, Spacer
26	121934X	Rod, Mower Lift
27	106932X	Grip
28	76020312	Pin, Cotter 3/32 x 3/4
29	131655	Link, Mower Clutch

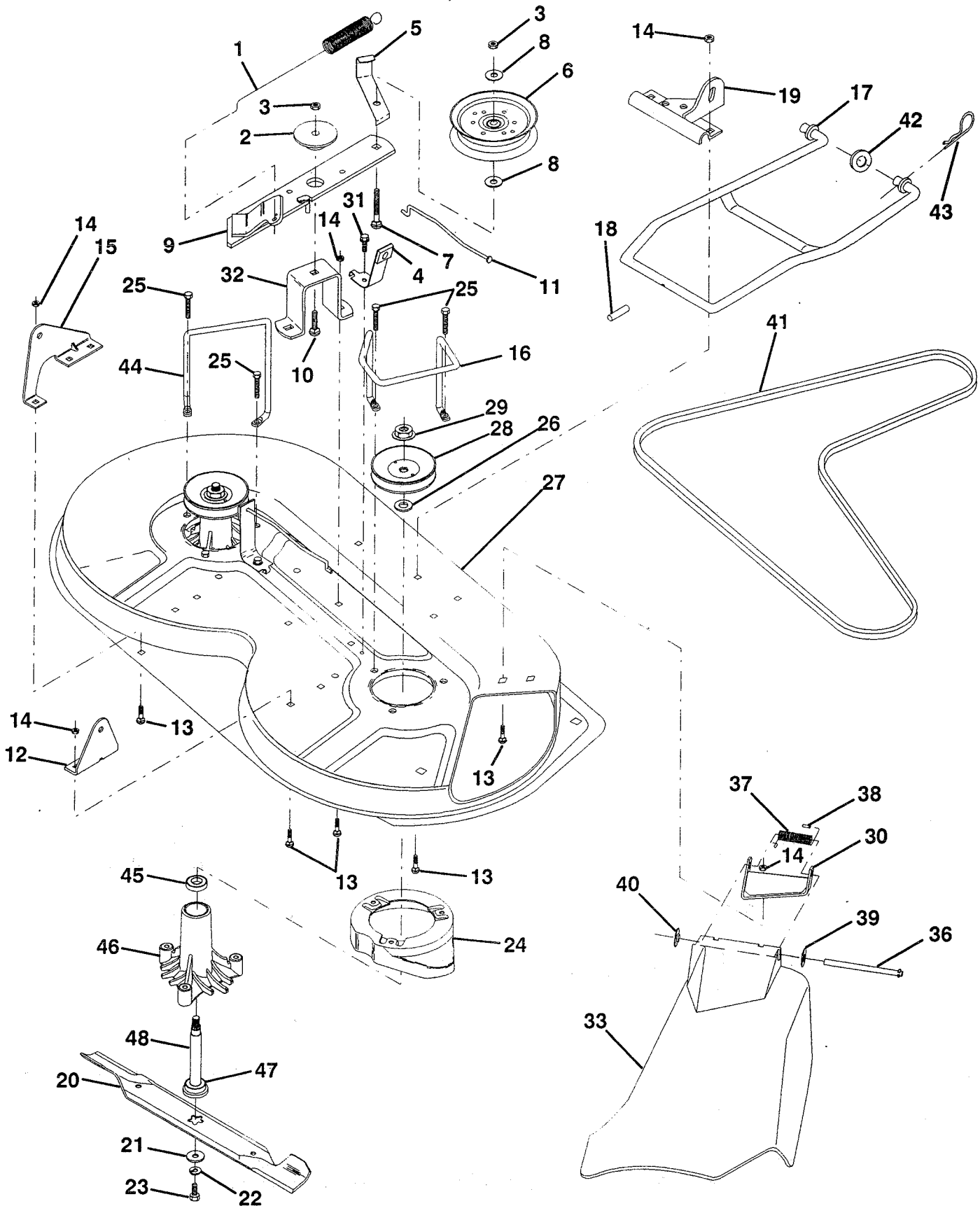
NOTE: All component dimensions given in U.S. inches
1 inch = 25.4 mm

HARDWARE SHOWN LARGER FOR EASIER IDENTIFICATION

REPAIR PARTS

10 HP 36" TRACTOR - - MODEL NUMBER 6A1A1A

MOWER DECK



REPAIR PARTS

10 HP 36" TRACTOR - - MODEL NUMBER 6A1A1A

MOWER DECK

KEY NO.	PART NO.	DESCRIPTION
1	127743	Spring, Mower Clutch
2	122052X	Spacer, Retainer
3	73680600	Nut, Crownlock 3/8-16 UNC
4	130840	Assembly, Brake
5	131251	Guide, Belt Idler
6	121316X	Idler, Flat
7	72110616	Bolt, Carriage 3/8-16 x 2 Grade 5
8	19131410	Washer 13/32 x 7/8 x 10 Gauge
9	127744	Assembly, Mower Idler Arm
10	72110608	Bolt, Carriage 3/8-16 UNC x 1
11	130841	Rod, Brake
12	127356	Bracket, Rear Lift, R.H.
13	72140505	Bolt, Carriage 5/16-18 UNC x 5/8
14	73680500	Nut, Crownlock 5/16-18
15	127357	Bracket, Rear Lift, L.H.
16	130837	Keeper, R.H.
17	128508	Stabilizer, Mower Link
18	128511	Pin, Drive
19	127380	Bracket, Stabilizer Link
20	131321	Blade
21	129962	Washer, Hard
22	10030600	Washer, Lock, Heavy 3/8
23	850857	Bolt 3/8-24 x 1-1/4 Grade 8
24	136929	Stripper
25	78158	Bolt 5/16-18 x 1-1/4
26	129963	Washer .150 Thick
27	129983	Housing, Mower
28	129207	Pulley, Mandrel
29	73050900	Nut, Flangelock 9/16
30	136631	Bracket, Deflector
31	17490508	Screw, Hex Washer Head, Thd. Roll. 5/16-18 x 1/2
32	122051X	Arm, Support Idler, Mower
33	131560	Shield, Deflector
36	121980X	Rod, Hinge
37	123713X	Spring, Torsion Deflector
38	105304X	Cap, Sleeve
39	19111016	Washer 11/32 x 5/8 x 16 Gauge
40	110452X	Nut, Push
41	131264	V-Belt
42	19171616	Washer 11/32 x 5/8 x 16 Gauge
43	3146R	Clip, Hairpin
44	130836	Keeper, L.H.
45	110485X	Bearing
46	128774	Housing, Mandrel, Vented
47	129895	Bearing
48	133172	Shaft, Mandrel (Includes Key #47)
—	130794	Mandrel Assembly (Includes Key Numbers 21-23, 26, 29 and 45-48)
—	136316	Deck Service Complete

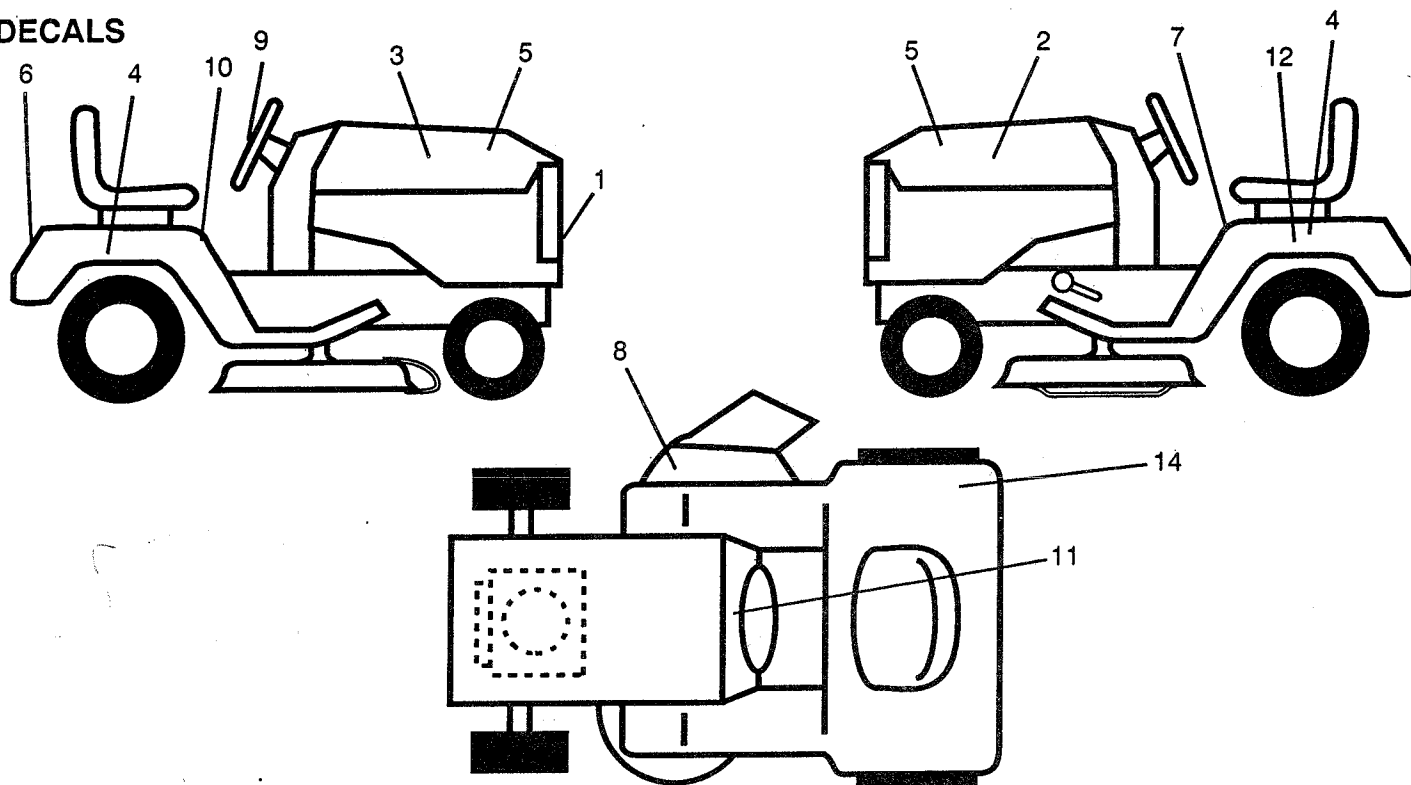
NOTE: All component dimensions given in U.S. inches
1 inch = 25.4 mm

HARDWARE SHOWN LARGER FOR EASIER IDENTIFICATION

REPAIR PARTS

10 HP 36" TRACTOR -- MODEL NUMBER 6A1A1A

DECALS



KEY PART NO. NO.

DESCRIPTION

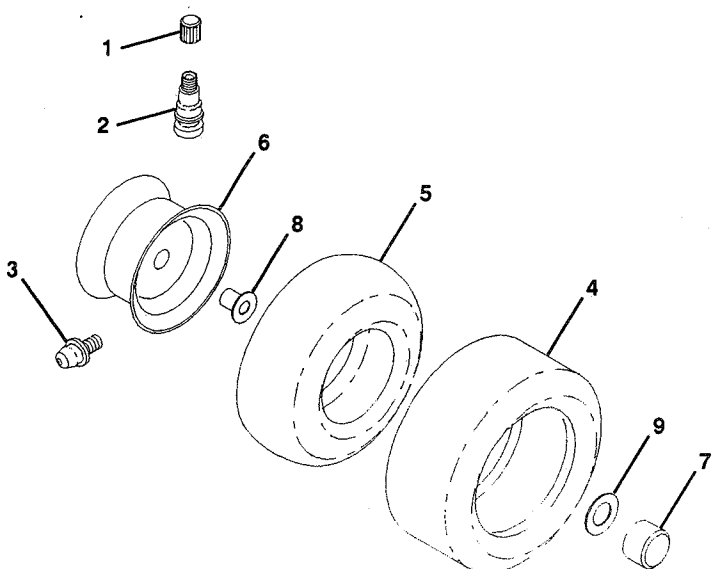
1	132627	Decal, Grill Rally
2	130569	Decal, Stripe, Hood, L.H.
3	130568	Decal, Stripe, Hood, R.H.
4	138804	Decal, Fend Quickshf
5	139183	Decal, Hood Insert
6	132628	Decal, Fender
7	133795	Decal, Caution
8	137259	Decal, Warning

KEY PART NO. NO.

DESCRIPTION

9	127075	Decal, Wheel Strg
10	139181	Decal, Center Shift
11	123637X	Decal, Operating Instructions
12	121549X	Decal, Caution, Battery
14	125690X	Decal 100 Db
--	138698	Manual, Operator's (English)
--	138699	Manual, Operator's (French)
--	138770	Manual, Repair Parts (English/French)

WHEELS



KEY PART NO. NO.

DESCRIPTION

1	59192	Cap, Valve
2	65139	Stem, Valve
3	278H	Fitting, Grease (Front Only)
4	124142X	Tire, Front
	124143X	Tire, Rear
5	59904	Tube, Tire, Front
	8134H	(Optional, Service Item Only) Tube, Tire, Rear
6	122394X311	Rim Assembly, Front
	123412X311	Rim Assembly, Rear
7	104757X	Cap, Axle
8	9040H	Bearing, Flange (Front Only)
9	121748X	Washer, Axle Cap