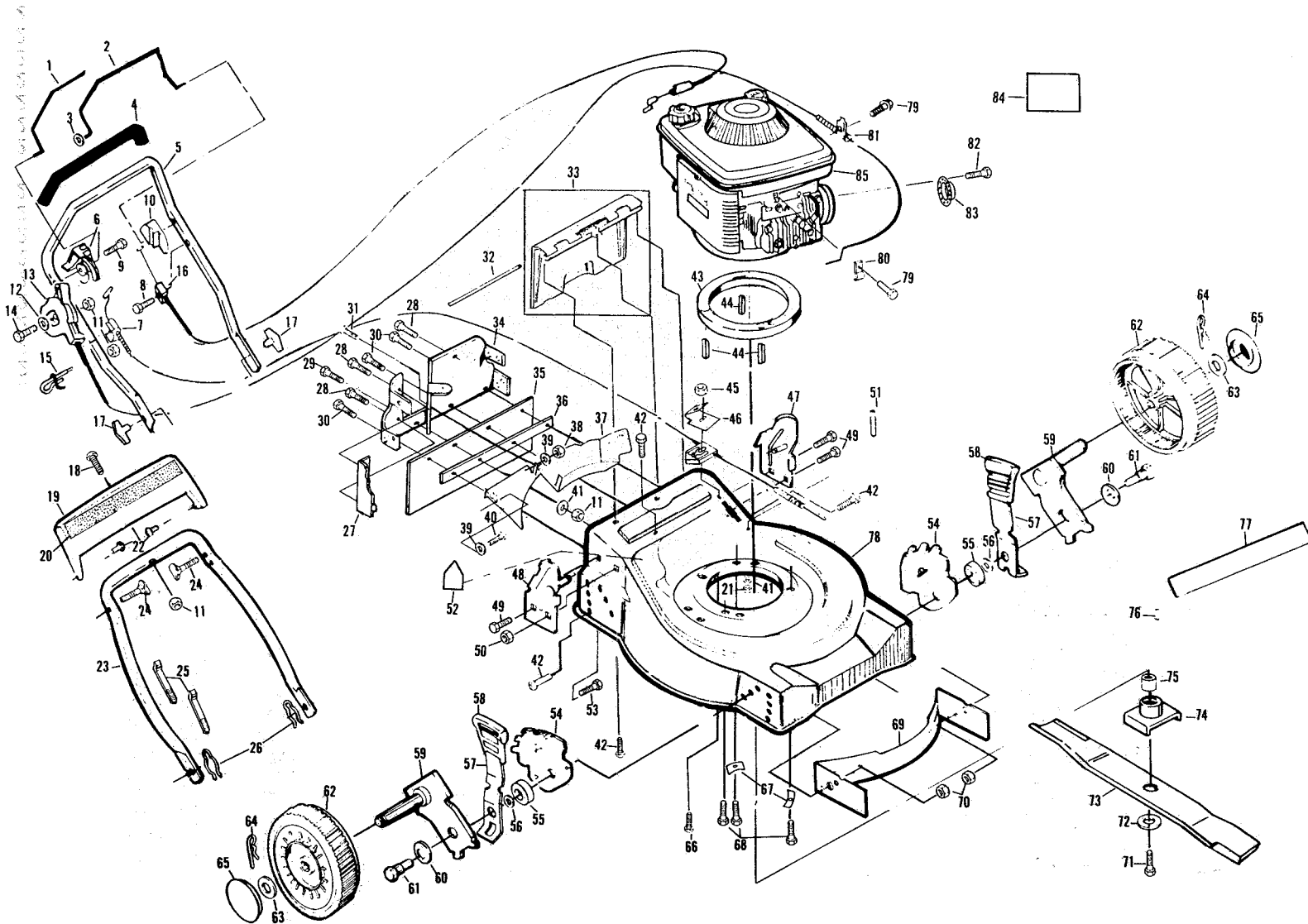


22" ROTARY LAWN MOWER MODEL NO. 56sr

PRODUCT NO. 954 05 10-01

REPAIR PARTS

Rev. 0



22" ROTARY LAWN MOWER MODEL NO. 56sr

PRODUCT NO. 954 05 10-01

REPAIR PARTS

Rev. 0

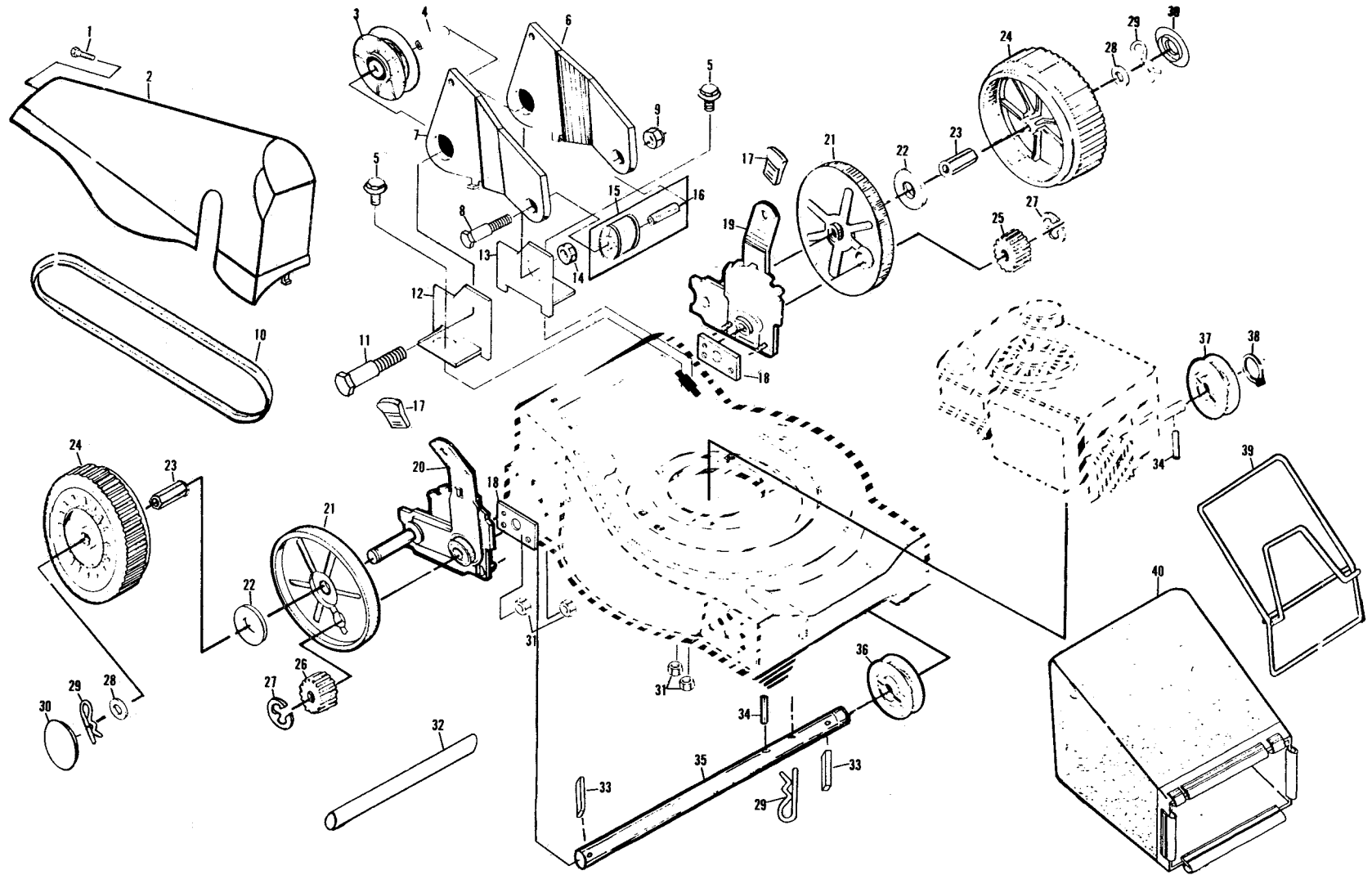
Ref. No.	Part No.	Part Name	Ref. No.	Part No.	Part Name
1	532 85 08-39	Drive Bar	45	532 05 45-09	Keps Nut 10-24
2	532 85 08-38	Engine Control Bar	46	532 75 03-46	Bracket Cover
3	532 05 08-06	Flat Washer	47	532 85 08-28	Handle Bracket Assembly (Left)
4	532 85 07-24	Handle Grip	48	532 85 08-27	Handle Bracket Assembly (Right)
5	532 80 04-00	Upper Handle	49	532 05 51-87	Thread Cutting Screw 5/16-18 x 3/4
6	532 85 00-42	Drive Control Actuator	50	532 06 31-24	Locknut 5/16-18
7	532 75 12-74	Drive Cable Assembly	51	532 05 38-30	Carriage Bolt 1/4-20 x 1/2
8	532 08 57-68	Thread Rolling Screw 10-24 x 3/4	52	532 10 73-39	Danger Decal
9	532 03 69-53	Self Tapping Screw 10-24 x 5/8	53	532 06 62-38	Carriage Bolt 5/16-18 x 5/8
10	532 85 00-41	Zone Control Actuator	54	532 85 09-04	Wheel Adjusting Bracket
11	532 06 36-01	Locknut 1/4-20	55	532 08 49-20	Spacer
12	532 08 57-23	Washer	56	532 08 83-48	Washer
13	532 85 14-63	Throttle Control	57	532 85 08-56	Selector Spring
14	532 08 56-92	Machine Screw 1/4-20 2 1/8	58	532 07 78-65	Selector Knob
15	532 80 03-57	Rope Guide	59	532 08 50-22	Axle Arm Assembly
16	532 80 06-13	Engine Zone Control Cable	60	532 06 23-35	Belleville Washer
17	532 06 36-88	Handle Knob	61	532 08 49-21	Shoulder Bolt 3/8-16
18	532 08 54-36	Hex Washer Head Machine 1/4-20 x 1 1/2	62	532 08 69-84	Wheel & Tire Assembly 8.0 x 2.0
19	532 80 05-47	Trim Plate	63	532 05 21-60	Washer
20	532 85 07-88	Trim Plate Decal	64	532 08 51-79	Retainer Clip
21	532 06 36-01	Locknut 1/4-20	65	532 85 08-44	Hubcap
22	532 03 69-53	Self Tapping Screw 10-24 x 5/8	66	532 05 71-55	Machine Screw 10-24 x 5/8
23	532 80 04-82	Lower Handle	67	532 85 12-19	Engine Washer
24	532 05 87-14	Handle Bolt 5/16-18 x 1 3/4	68	532 85 09-99	Hex Head Thread Rolling Screw 3/8-16 x 2
25	532 06 64-26	Wire Ties	69	532 08 52-83	Front Baffle
26	532 05 17-93	Hairpin Cotter	70	532 07 44-00	Locknut 3/8-16
27	532 85 07-12	Side Baffle	71	532 85 08-59	Hex Head Machine Screw (Grd. 8)
28	532 08 12-83	Self Tapping Screw 10-24 x 3/8	72	532 85 02-63	Helical Washer 3/8
29	532 08 67-79	Hex Head Screw 1/4-20 x 3/4	73	532 10 35-24	22" Blade
30	532 05 45-83	Hex Tapping Screw 1/4-20 x 1/2	74	532 10 72-52	Blade Adapter
31	532 07 63-99	Hex Washer Head Machine Screw 10-24 x 9/16	75	532 10 31-13	Spacer
32	532 75 03-28	Hinge Rod	76	532 08 76-77	Hi-Pro Key #HP-505
33	532 80 10-97	Rear Door Kit	77	532 80 05-73	Housing Decal
34	532 80 11-06	Back Plate	78	532 80 11-05	Lawn Mower Housing (Incl. Ref. #52)
35	532 08 83-66	Rear Skirt	79	532 10 74-88	Thread Rolling Screw 10-32 x 5/8
36	532 08 83-68	Backing Strip	80	* 532 21 31-46	Cable Clamp
37	532 85 00-61	Rear Baffle	81	532 85 04-72	Cable Clip
38	532 07 41-89	Locknut	82	* 532 09 37-05	Screw 8-32 x 3/8
39	532 01 01-02	Flat Washer	83	* 532 22 32-90	Muffler Deflector
40	532 08 12-76	Hex Washer Head Tapping Screw 10-24 x 1/2	84	532 80 05-69	Engine Decal
41	532 00 20-84	Washer	85	*	Engine - Briggs/Stratton Model No. 110782 Type No. 3166-01
42	532 05 45-83	Hex Tapping Screw 1/4-20 x 1/2			Owners Manual
43	532 85 09-88	Engine Spacer			
44	532 85 09-87	Engine Bushing		800478	

*These Parts must be purchased through an authorized Briggs and Stratton Dealer.

22" ROTARY LAWN MOWER MODEL NO. 56sr

PRODUCT NO. 954 05 10-01

REPAIR PARTS
Rev. 0



Ref. No.	Part No.	Part Name	Ref. No.	Part No.	Part Name
1	532 75 00-97	Hex Washer Head Screw 10-24 x 1/2	21	532 08 80-80	Dust Cover
2	532 85 08-33	Drive Cover	22	532 06 77-25	Washer
3	532 08 85-16	Idler Pulley	23	532 08 84-46	Wheel Bushing
4	532 85 00-37	Pulley Spacer	24	532 80 03-34	Wheel & Tire Assembly 9.0 x 2.0
5	532 06 52-31	Hex Head Machine Screw 1/4-20 x 1/2	25	532 85 00-16	Drive Pinion (Left)
6	532 85 00-33	Idler Bracket (Left)	26	532 85 00-17	Drive Pinion (Right)
7	532 85 00-35	Idler Bracket (Right)	27	532 05 37-53	E-Ring
8	532 05 31-09	Hex Head Bolt 1/4-20 x 1 1/2	28	532 05 21-60	Washer
9	532 05 09-62	Locknut 1/4-20	29	532 08 51-79	Retainer Clip
10	532 85 00-28	Drive Belt	30	532 85 08-45	Hubcap
11	532 05 08-84	Hex Head Bolt 5/16-18 x 1 1/2	31	532 06 36-01	Locknut 1/4-20
12	532 85 00-31	Pivot Bracket (Right)	32	532 85 03-73	Drive Shaft Cover
13	532 85 00-29	Pivot Bracket (Left)	33	532 85 00-18	Drive Pawl
14	532 06 31-24	Locknut 5/16-18	34	532 08 80-28	Roll Pin 3/16 x 7/8
15	532 04 81-60	Idler Assembly Kit (Incl. Ref. #16)	35	532 75 08-84	Drive Shaft
16	532 08 85-76	Idler Spacer	36	532 08 80-82	Driven Pulley
17	532 07 78-65	Selector Knob	37	532 85 00-27	Drive Pulley
18	532 85 00-49	Spacer Plate	38	532 05 83-34	Retaining Ring
19	532 85 09-82	Selector Assembly (Left)	39	532 80 03-93	Catcher Frame Assembly
20	532 85 09-83	Selector Assembly (Right)	40	532 80 03-85	Grass Bag Assembly