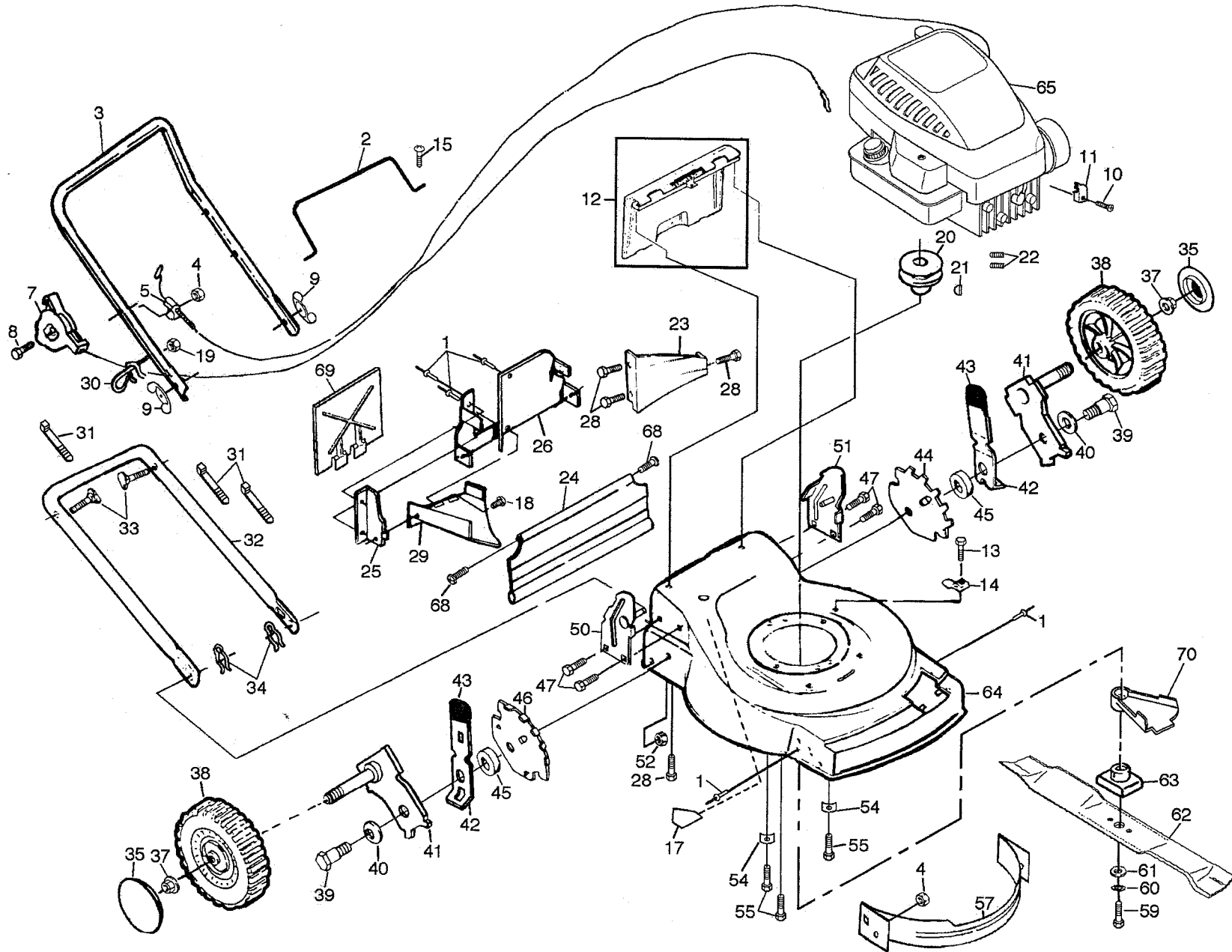


REPAIR PARTS

ROTARY LAWN MOWER - - MODEL NO. 4M472B

2



REPAIR PARTS

ROTARY LAWN MOWER - - MODEL NO. 4M472B

KEY NO.	PART NO.	DESCRIPTION	KEY NO.	PART NO.	DESCRIPTION
1	128415	Pop Rivet	37	83923	Flanged Locknut
2	132570	Control Bar	38	146247	Wheel & Tire Assembly
3	132670X479	Upper Handle	39	142748	Shoulder Bolt
4	63601	Locknut	40	62335	Belleville Washer
5	130861	Engine Zone Control Cable	41	145935X004	Axle Arm
7	700417	Throttle Control	42	700331X004	Selector Spring
8	144929	Hex Washer Head Screw 1/4-20 x 2.12	43	87877	Selector Knob
9	128638	Wing Nut	44	700326X007	Wheel Adjusting Bracket L.R.
10	83816	Screw #10 x 5/8	45	84920	Spacer
11	213146	* Cable Clamp (Engine)	46	700327X007	Wheel Adjusting Bracket R.R.
12	147612	Rear Door Kit	47	55187	Self-tapping Screw 5/16-18 x 3/4
13	750097	Hex Washer Head Screw #10-24 x 1/2	50	700915X479	Handle Bracket (Right)
14	87930	Housing Cable Guide	51	700913X479	Handle Bracket (Left)
15	851552	Screw	52	751592	Locknut 3/8-16
17	107339X	Danger Decal	54	851201X004	Engine Washer
18	86344	Screw	55	850998	Hex Head Thread Rolling Screw 3/8-16 x 1
19	73510400	Keps Locknut 1/4-20	57	132255X479	Front Baffle
20	84596	Engine Pulley	59	851084	Hex Head Machine Screw 3/8-24 x 1-3/8 Gr. 8
21	87677	Hi Pro Key #505	60	850263	Helical Lock Washer
22	59708	Set Screw 1/4-20 x 5/16	61	851074	Hardened Washer
23	133040X479	Baffle, Rear	62	141114	Blade 22"
24	140540	Rear Skirt	63	851514	Blade Adapter
25	700365X479	Side Baffle	64	149106	Lawn Mower Housing Kit (Includes Key No. 17)
26	700360X479	Back Plate	65	-----	* Engine - Briggs & Stratton Model No. 10A902
28	54583	Screw Hex Head 1/4-20 x 1/2	68	88652	Hinge Screw
29	133190X479	Discharge Baffle	69	133170X479	Mulcher Plate
30	132001	Rope Guide	70	134612	Debris Shield
31	66426	Wire Tie	--	145658	Operator's Manual
32	132813X479	Lower Handle	--	149866	Repair Parts Manual
33	131959	Handle Bolt			
34	51793	Hairpin Cotter			
35	77400	Hubcap			

Available accessories not included with lawn mower:
 -- MA36 Chute Deflector

* These parts must be purchased through an authorized Briggs & Stratton dealer.

REPAIR PARTS

ROTARY LAWN MOWER - - MODEL NO. 4M472B

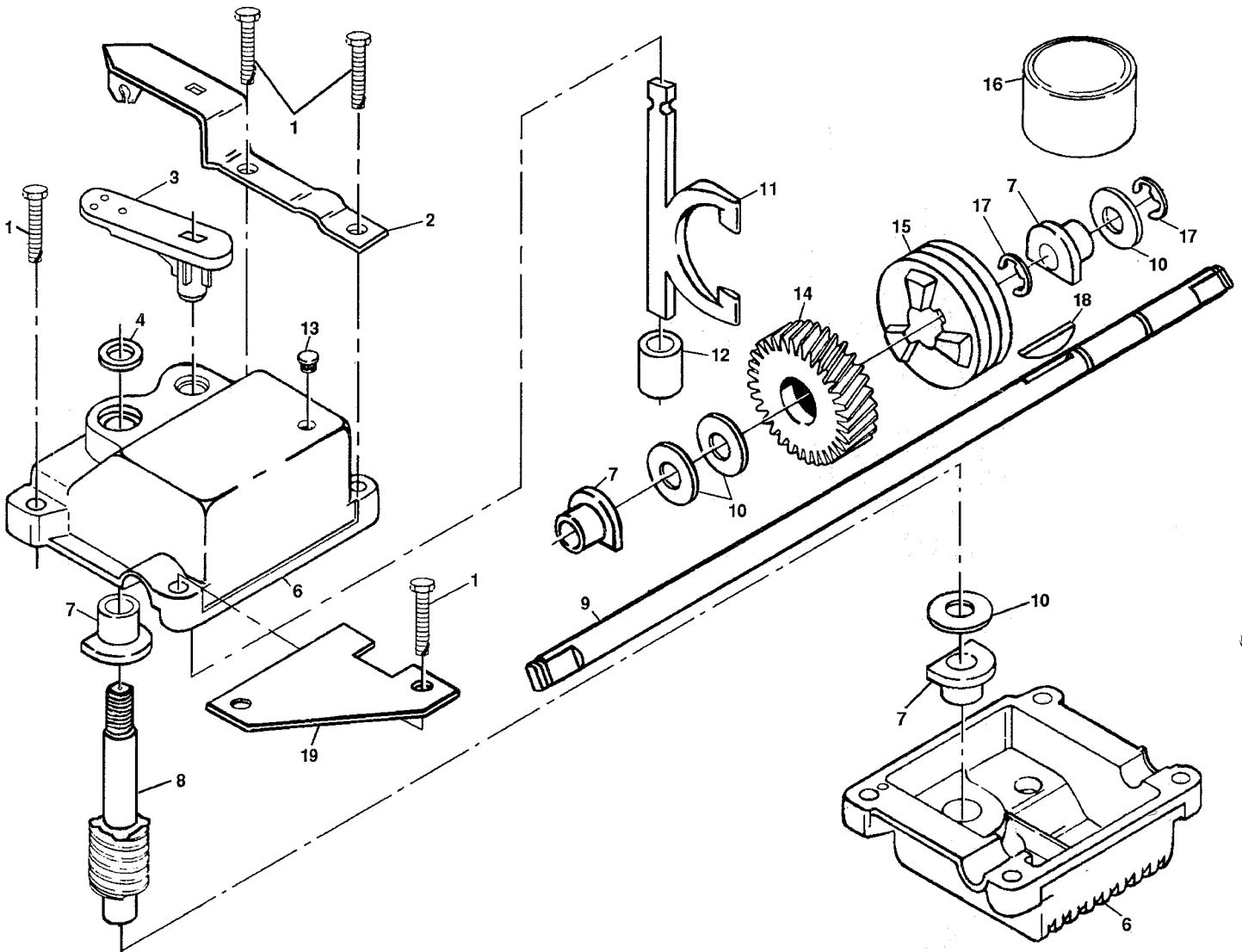
KEY NO.	PART NO.	DESCRIPTION
1	700615	Drive Control
2	69180	Locknut #10-24
3	750029	Pan Head Machine Screw #10-24 x 2
4	700875	Carriage Bolt 1/4-20 x 2
5	77400	Hubcap
7	145212	Flanged Locknut
8	700953	Wheel & Tire Assembly
9	12000058	E-ring
10	137054	Pinion
11	88080	Dust Cover
12	87877	Selector Knob
13	146652	Wheel Adjuster Assembly (Left)
14	146651	Wheel Adjuster Assembly (Right)
15	88118	Felt Washer
16	63601	Locknut
17	850848	Hi-Pro Key

KEY NO.	PART NO.	DESCRIPTION
18	137090	Spring
20	75192	Spring
21	67725	Washer 1/2 x 1-1/2 x .134
22	702511	Gear Case Assembly
23	137052	Drive Pulley
24	132010	Locknut
27	137081	Drive Cover
28	87866	Pan Head Tapping Screw #10-24 x 2-3/4
29	136797	Pan Head Tapping Screw #10-24 x 1-3/4
30	149555	Catcher Frame
31	149596	Grass Bag
32	137078	V-Belt
38	86012	Drive Shaft Cover
39	88446	Wheel Bushing
--	851812	Drive Cover Decal

REPAIR PARTS

POWER PROPELLED LAWN MOWER - - MODEL NO. 4M472B

GEAR CASE ASSEMBLY PART NUMBER 702511



KEY NO.	PART NO.	DESCRIPTION
1	17490416	Tapping Screw 1/4-20 x 1-1/4
2	137055X004	Engagement Bracket
3	137053	Shifter
4	57072	Seal
6	48373	Gear Case Halves Kit (Includes Key Nos. 4, 5, and 7)
7	77881	Bearing
8	137051	Worm Shaft
9	137074	Drive Shaft
10	57079	Hardened Washer

KEY NO.	PART NO.	DESCRIPTION
11	131484	Clutch Yoke
12	700343	Bushing
13	86447	Plug
14	137050	Helical Gear
15	750436X	Clutch Jaw
16	750369	Grease
17	12000003	E-Ring
18	850848	Hi-Pro Key
19	81585X004	Spring Bracket

NOTE: All component dimensions given in U.S. inches.
1 inch = 25.4 mm