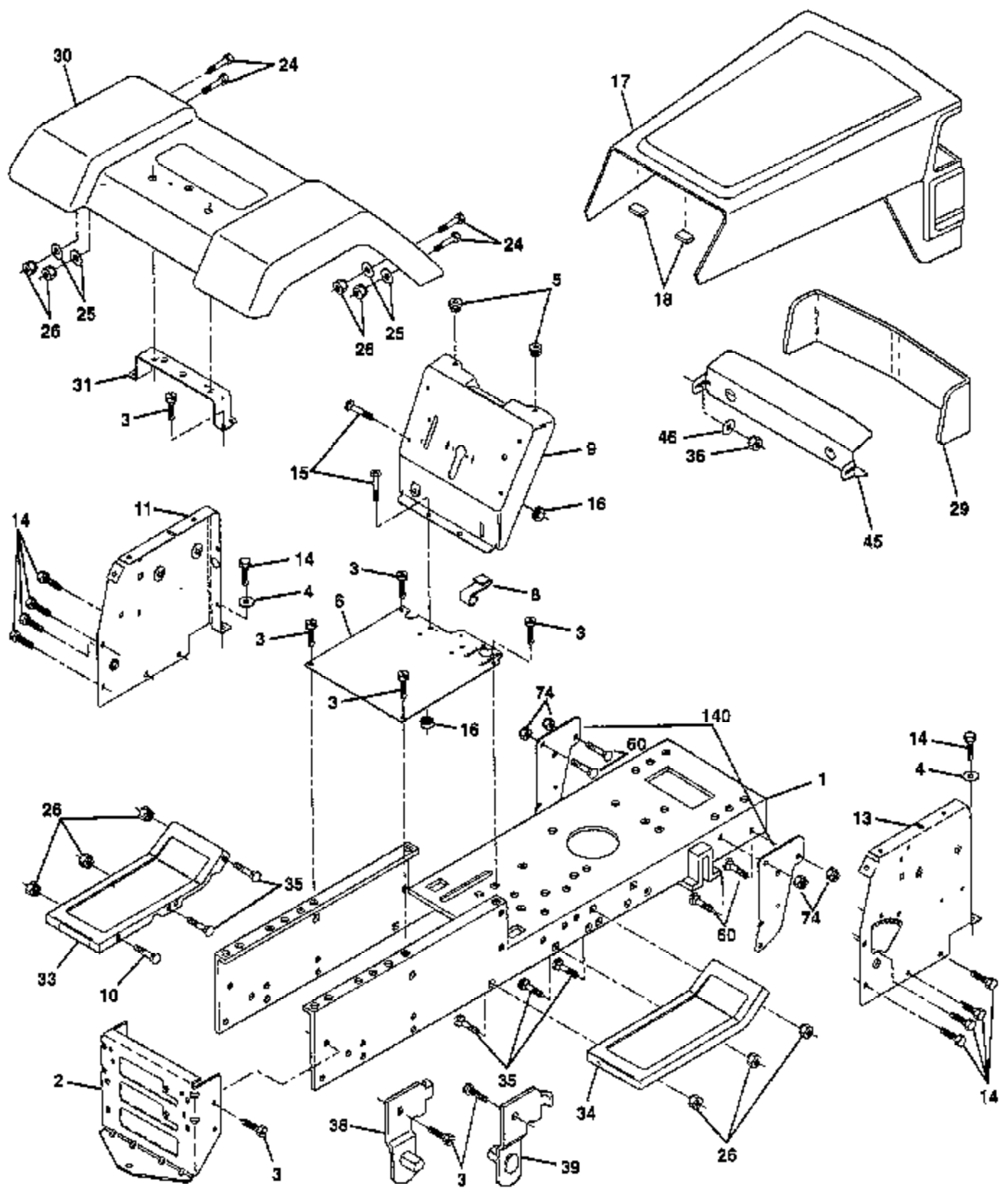


TRACTOR -- MODEL NUMBER 2E3B3D

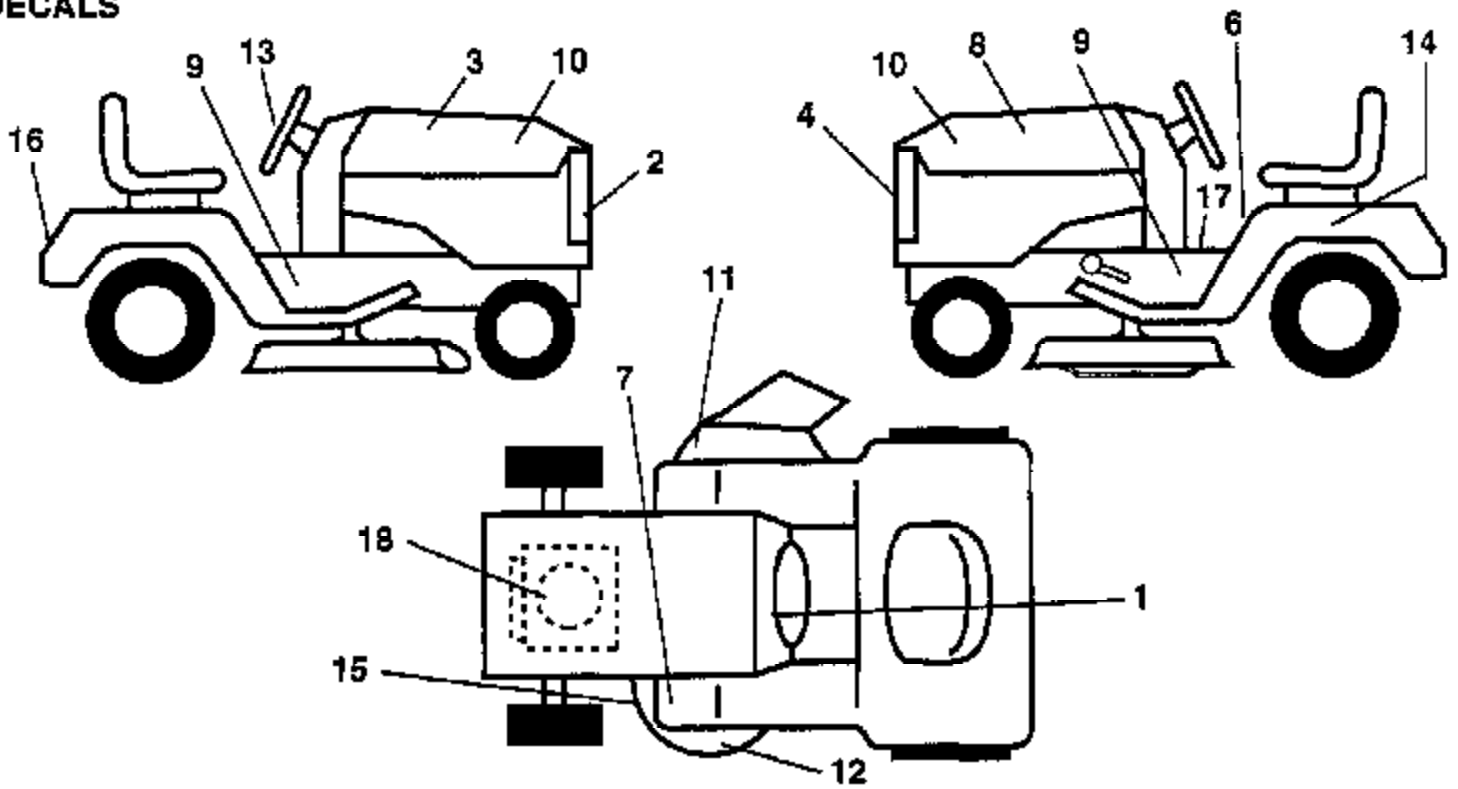
CHASSIS AND ENCLOSURES



| Ref # | Part Number | Qty | Description |
|-------|-------------|-----|-------------------|
| 1 | 151169 | | CHASSIS WLDMT 11G |
| 2 | 140356 | | SUB= 145009 |
| 3 | 17490612 | | SCREW |
| 4 | 19131216 | | WASHER |
| 5 | 146077 | | SUB= 155272 |
| 6 | 145208X016 | | SUB= 155924X015 |
| 8 | 126471X | | "CLIP,INSULATOR" |
| 9 | 146757X011 | | DASH.SLKSC.LT.1PC |
| 10 | 72140608 | | SUB= 72110608 |
| 11 | 146956 | | PANEL.DASH.LH. |
| 13 | 146961X012 | | SUB= 155934X010 |
| 14 | 17490608 | | SCREW LT |
| 15 | 74180512 | | SCREW |
| 16 | 73510500 | | NUT |
| 17 | 133956X505 | | HOOD/GRILL ASM |
| 18 | 126938X | | SUB= 532126938 |
| 24 | 74780616 | | BOLT |
| 25 | 19131312 | | WASHER |
| 26 | 73800600 | | NUT |
| 29 | 133805 | | SUB= 133954 |
| 30 | 109872X505 | | FENDER |
| 31 | 136619 | | BRKT FENDER |
| 33 | 105476X505 | | FOOTREST LH |
| 34 | 105475X505 | | FOOTREST RH |
| 35 | 72110606 | | BOLT |
| 36 | 108067X | | PAL NUT LT |
| 38 | 139886 | | BRACKET ASM LH |
| 39 | 139887 | | BRACKET ASM RH |
| 45 | 132257 | | SUB= 918132257 |
| 46 | 127316X | | RETAINER |
| 60 | 72140606 | | BOLT |
| 74 | 73680600 | | SUB= 73690600 |
| 140 | 150556 | | SUB= 158739 |
| | 5479J | | PLUG BUTTON T |

TRACTOR - - MODEL NUMBER 2E3B3D

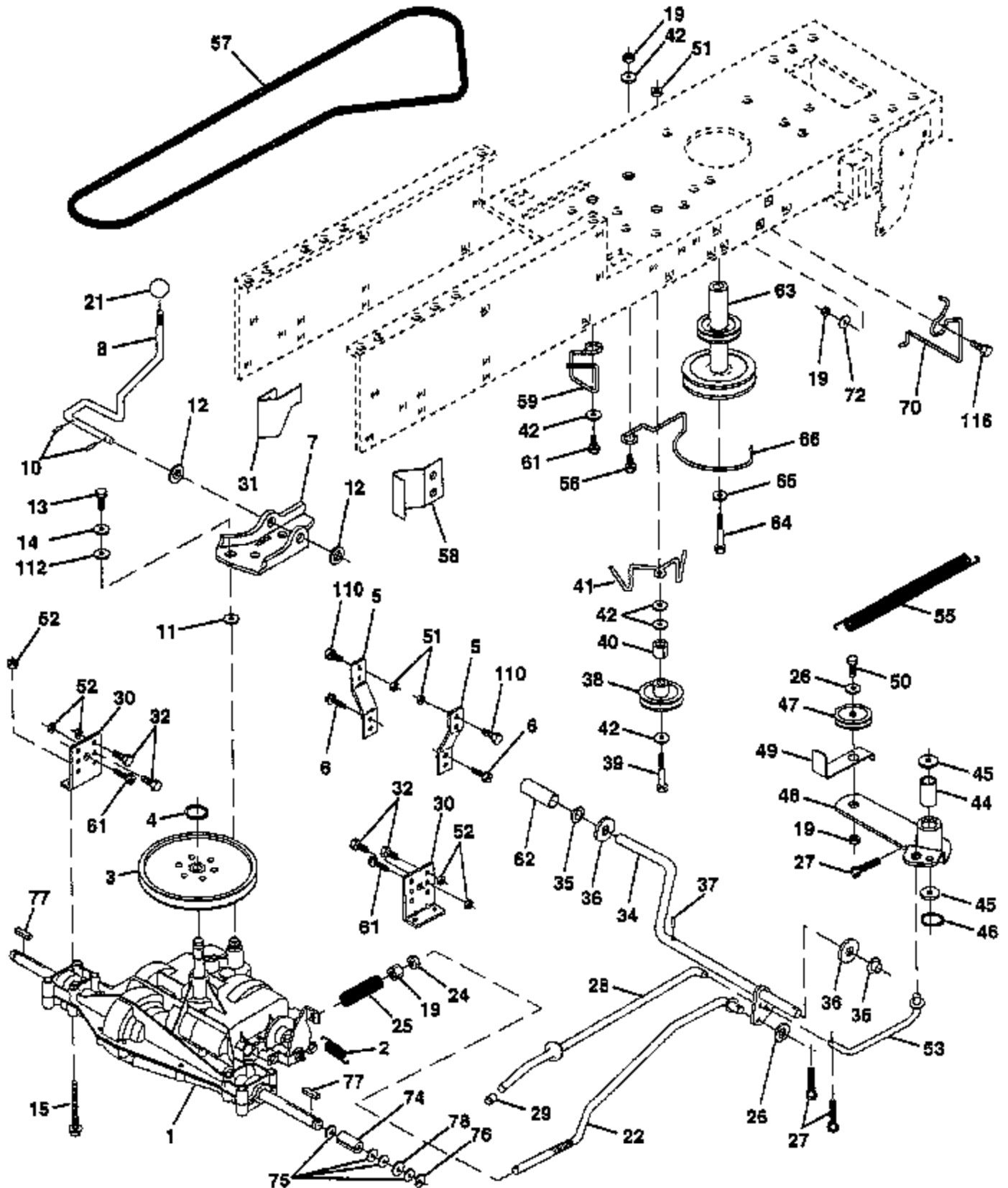
DECALS



| Ref # | Part Number | Qty | Description |
|-------|-------------|-----|-----------------------|
| 1 | 138956 | | DECAL.DASH.INSTR. |
| 2 | 132627 | | GRILL DECAL |
| 3 | 141745 | | DECAL HOOD RH RLY |
| 4 | 129823 | | NLA |
| 6 | 133795 | | DECAL CAUTION |
| 7 | 101892X | | DECAL T |
| 8 | 141746 | | DECAL HOOD LH RLY |
| 9 | 127035 | | NLA |
| 10 | 137460 | | DECAL.HOOD.INSERT |
| 11 | 137259 | | "DECAL, WARNING" |
| 12 | 135013 | | NLA |
| 13 | 127075 | | "DECAL,STR WHL" |
| 14 | 146451 | | DECAL.BTRY.DANGER |
| 15 | 136832 | | DECAL |
| 16 | 132628 | | FENDER DECAL |
| 17 | 140837 | | DECAL BRAK PARK |
| 18 | 271967 | | DECAL, ENGINE |
| | 138311 | | DECAL HANDLE LIFT |
| | 150687 | | MANUAL.P.2E3B3D |
| | 145761 | | "MANUAL.OP.GEN.38"" |
| | LC05 | | WHEEL WTS. |
| | CH12 | | TIRE CHAINS |
| | MK38 | | MULCH KIT WITH BLADES |
| | SLB42 | | SNOW BLOWER |
| | C38 | | GRASS CATCHER |
| | LED48 | | SNOW BLADE |

TRACTOR -- MODEL NUMBER 2E3B3D

DRIVE

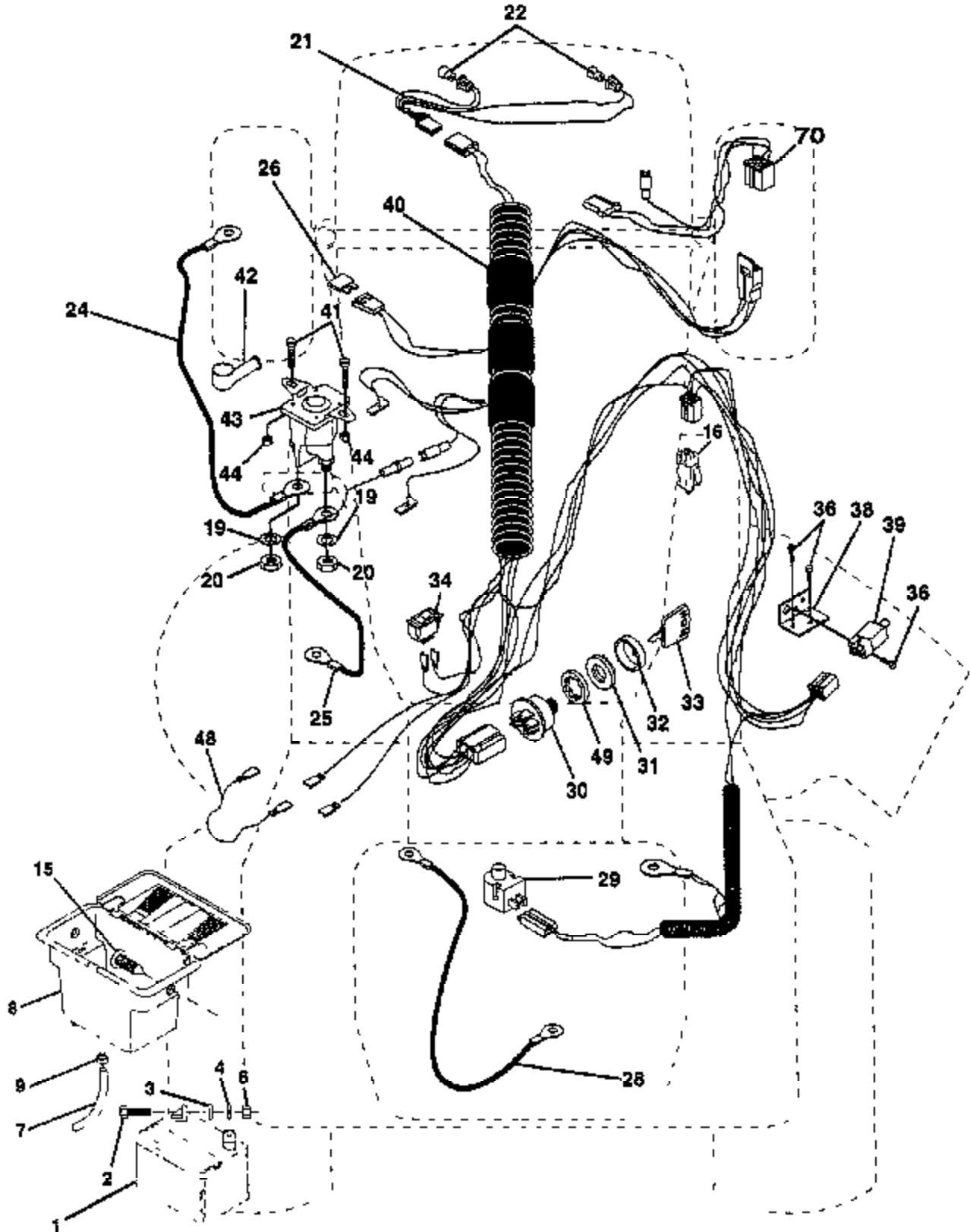


| Ref # | Part Number | Qty | Description |
|-------|-------------|-----|---------------------|
| 1 | 142603 | | SUB= 160664 |
| 2 | 146682 | | SPRING.BRAKE.RETU |
| 3 | 123666X | | PULLEY TRANS |
| 4 | 12000028 | | SUB= 2267J |
| 5 | 121520X | | STRAP TORQUE |
| 6 | 17490512 | | SCREW |
| 7 | 130802 | | SUB= 162240 |
| 8 | 131679 | | SHIFT ROD |
| 10 | 76020416 | | PIN COTTER 1/8 |
| 11 | 105701X | | WASH-SHFT PLT LT |
| 12 | 19151216 | | WASHER |
| 13 | 74550412 | | BOLT.1/4-28.W/PAT |
| 14 | 10040400 | | LOCKWASHER |
| 15 | 74490544 | | BOLT.HX.FLG.5/16 |
| 19 | 73800600 | | NUT |
| 21 | 106933X | | KNOB T (1/2-HOLE) |
| 22 | 130804 | | BRAKE ROD |
| 24 | 73350600 | | NUT |
| 25 | 106888X | | SPRING ROD LT |
| 26 | 19131316 | | WASHER |
| 27 | 76020412 | | COTTER PIN |
| 28 | 145204 | | ROD.BRAKE.PARK.LT |
| 29 | 71673 | | PLUNGER CAP T |
| 30 | 130807 | | TRANSAXLE MTG BKT |
| 31 | 127275X | | "KEEPER,BELT LH T" |
| 32 | 74760512 | | BOLT |
| 34 | 151128 | | SHAFT FOOT PEDAL |
| 35 | 120183X | | NYLON BEARING |
| 36 | 19211616 | | WASHER LT |
| 37 | 1572H | | SUB= 2882J |
| 38 | 123674X | | PULLEY.IDLER.FLAT |
| 39 | 74760644 | | BOLT |
| 40 | 4470J | | SPACER T |
| 41 | 153399 | | KEEPER BELT |
| 42 | 19131312 | | WASHER |
| 44 | 105706X | | "LY, BEARING" |
| 45 | 110812X | | WASHER LT |
| 46 | 12000039 | | KLIP RING |
| 47 | 127783 | | SUB= 139245 |
| 48 | 123789X | | ARM IDLER |
| 49 | 123205X | | RETAIN BELT |
| 50 | 74760624 | | SUB= 74930624 |
| 51 | 73680600 | | SUB= 73690600 |
| 52 | 73680500 | | SUB= 73690500 |
| 53 | 105710X | | "LINK, CLUTCH T" |
| 55 | 105709X | | "SPRING, RETURN LT" |
| 56 | 74760620 | | SUB= 74780620 |
| 57 | 130801 | | SUB= 138255 |
| 58 | 127274X | | "KEEPER,BELT RH T" |
| 59 | 140312 | | KEEPER BELT CNTSP |
| 61 | 17490612 | | SCREW |
| 62 | 8883R | | PEDAL COVER T |
| 63 | 140186 | | PULLEY.ENGINE |
| 64 | 71170764 | | BOLT |
| 65 | 10040700 | | LOCKWASHER |
| 66 | 153400 | | SUB= 129921 |
| 70 | 134683 | | KEEPER BELT ENG |
| 72 | 19132012 | | WASHER |

| Ref # | Part Number | Qty | Description |
|-------|-------------|-----|------------------|
| 74 | 109502X | | SPACER LT |
| 75 | 121749X | | WASHER |
| 76 | 12000001 | | E-RING LT |
| 77 | 123583X | | SQUARE KEY |
| 78 | 121748X | | WASHER |
| 110 | 74760612 | | SUB= 74780612 |
| 112 | 19091210 | | WASHER LT |
| 116 | 72110610 | | BOLT RDHD 3/8-16 |

TRACTOR - - MODEL NUMBER 2E3B3D

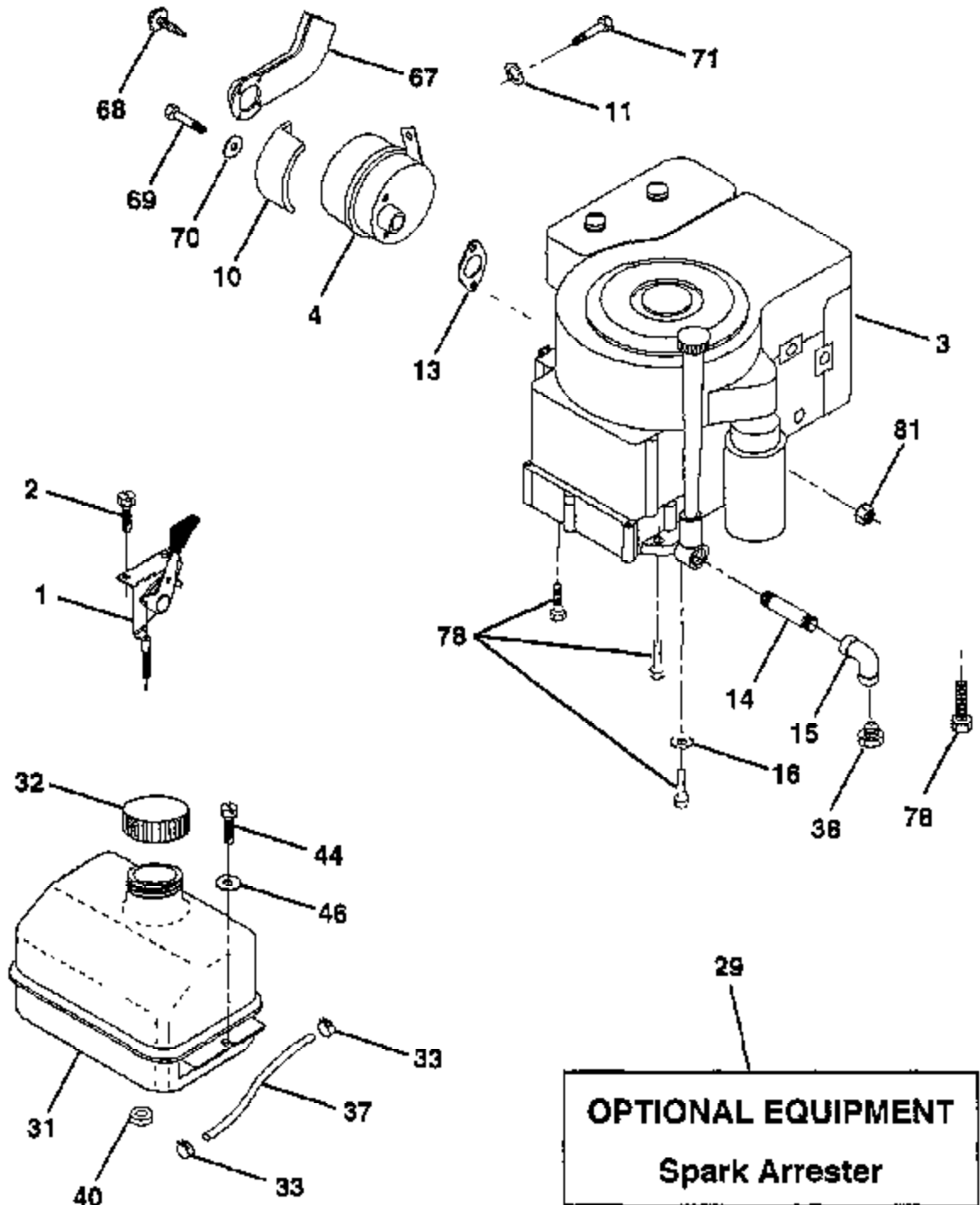
ELECTRICAL



| Ref # | Part Number | Qty | Description |
|-------|-------------|-----|---------------------|
| 1 | 146139 | | SUB= 123899X |
| 2 | 74760412 | | BOLT LT |
| 3 | 19091016 | | WASHER |
| 4 | 10040400 | | LOCKWASHER |
| 6 | 73220400 | | SUB= 50675 |
| 7 | 109238X | | TUBE T |
| 8 | 144940 | | SUB= 156417 |
| 9 | 109596X | | HOSE CLAMP T |
| 15 | 147688 | | FASTNER.SNAP-IN |
| 16 | 153664 | | SWITCH INTERLOCK |
| 19 | 10090400 | | SUB= 10040400 |
| 20 | 73350400 | | NUT |
| 21 | 136850 | | "HARNES, LIGHT SOC" |
| 22 | 4152J | | HEADLAMP BULB |
| 24 | 4799J | | "CABLE T, BATTERY" |
| 25 | 146147 | | CABLE.BTRY.6GA.RD |
| 26 | 108824X | | FUSE HYT |
| 28 | 4207J | | CABLE T |
| 29 | 121305X | | SWITCH SEAT |
| 30 | 144921 | | SUB= 163088 |
| 31 | 140400 | | SUB= 145774 |
| 32 | 141226 | | COVER KEY SWITCH |
| 33 | 140401 | | KEY MLD GEN DELTA |
| 34 | 110712X | | SWITCH LT |
| 36 | 17021008 | | SCREW |
| 38 | 140336 | | BRACKET SWITCH IN |
| 39 | 109553X | | SWITCH INTERLOCKT |
| 40 | 146057 | | HARNES.IGN.DASH. |
| 41 | 71110408 | | BOLT HXHD FIN |
| 42 | 131563 | | SUB= 154336 |
| 43 | 145673 | | SUB= 146154 |
| 44 | 73640400 | | NUT HXKEP 1/4X20 |
| 48 | 140844 | | ADAPTER AMMETER |
| 49 | 153249 | | WASHER PINNED |
| 70 | 140413 | | HARNES ENG DUAL |

TRACTOR - - MODEL NUMBER 2E3B3D

ENGINE

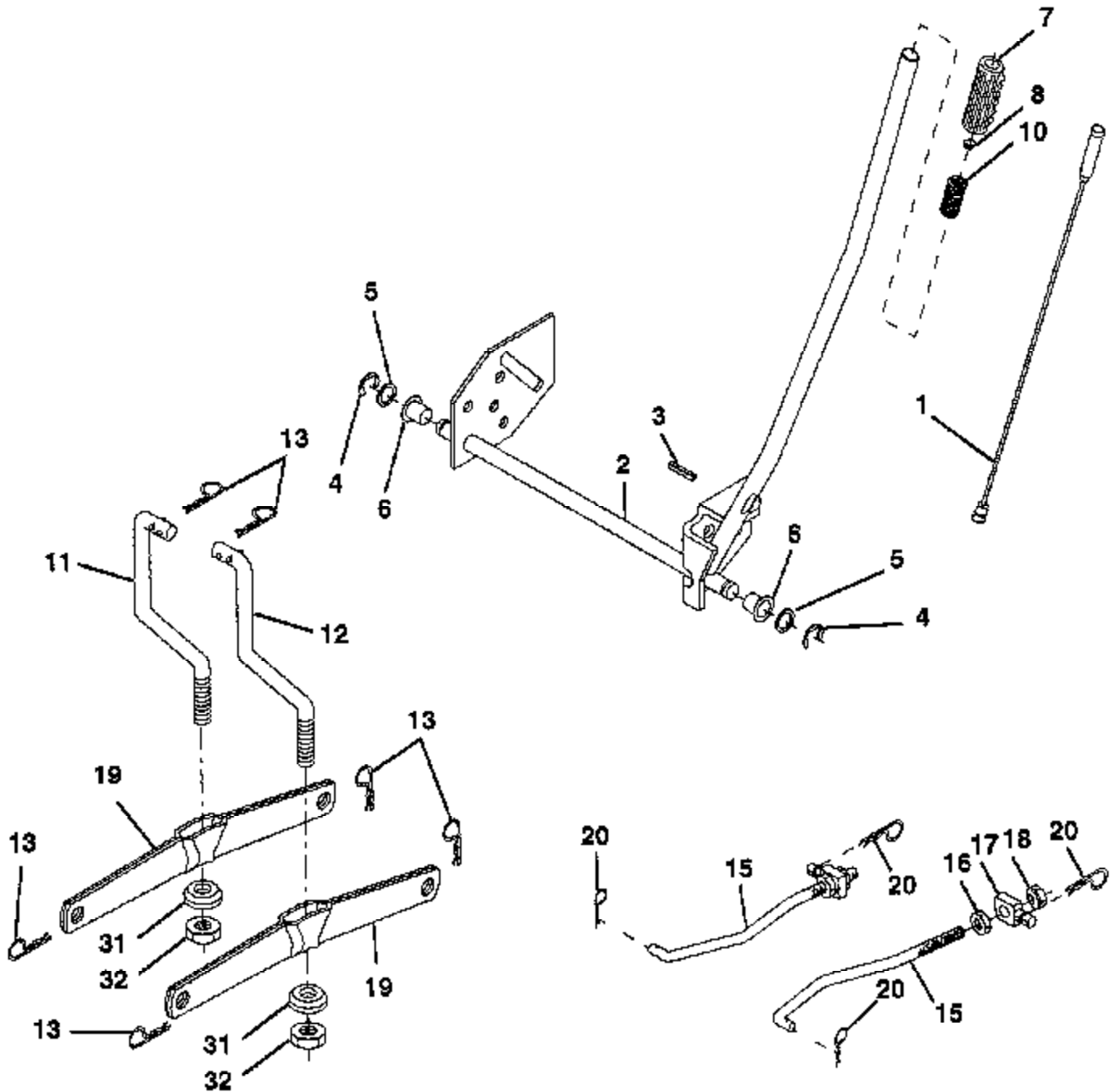


NOTE: All component dimensions given in U.S. inches
1 inch = 25.4 mm

| Ref # | Part Number | Qty | Description |
|-------|-------------|-----|--------------------------------|
| 1 | 132771 | | THROTTLE CONTROL |
| 2 | 17720410 | | SCREW LT |
| 3 | | | REFER TO IMAGE |
| 4 | 101273M | | MUFFLER LTV |
| 10 | 101159L | | SHIELD HEAT LTV |
| 11 | | | REFER TO IMAGE |
| 13 | 272293 | | GASKET ENG 1 313 LD TIN PLATED |
| 14 | 13280324 | | PIPE NIPPLE |
| 15 | 13200300 | | ELBOW |
| 16 | 11050600 | | LOCKWASHER |
| 29 | 137180 | | SUB= 532137180 |
| 31 | 109202X | | TANK.FUEL.LT. |
| 32 | 140527 | | CAP ASM FUEL |
| 33 | 123487X | | HOSE CLAMP |
| 37 | 137040 | | LINE FUEL |
| 38 | | | REFER TO IMAGE |
| 40 | 124028X | | SUB= 532124028 |
| 44 | 17490412 | | SCREW HEX CRT |
| 46 | 19091416 | | WASHER |
| 67 | 108767X | | DEFLECTOR MUFFLER |
| 68 | 17030808 | | SUB= 17030814 |
| 69 | 74780556 | | "BOLT,HEX" |
| 70 | 19111012 | | WASHER T |
| 71 | | | REFER TO IMAGE |
| 78 | 17490620 | | SCREW |
| 81 | 128861 | | NUT |

TRACTOR -- MODEL NUMBER 2E3B3D

LIFT

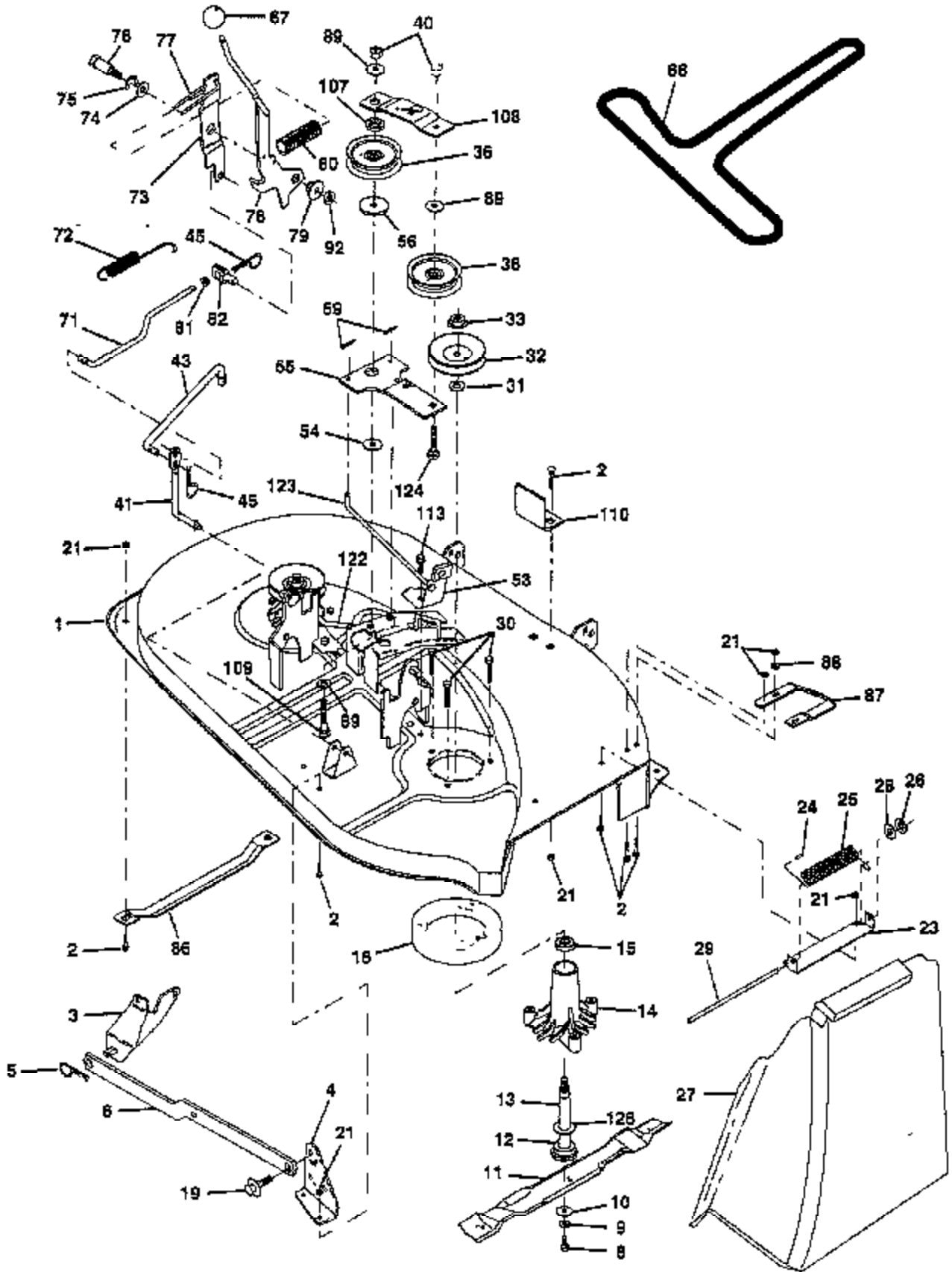


NOTE: All component dimensions given in U S inches
1 inch = 25.4 mm

| Ref # | Part Number | Qty | Description |
|-------|-------------|-----|-------------------|
| 1 | 136973 | | WIRE ASM |
| 2 | 122507X | | SUB= 145117 |
| 3 | 105767X | | PIN-GROOVE LT |
| 4 | 12000002 | | SUB= 2225J |
| 5 | 19211621 | | WASHER |
| 6 | 120183X | | NYLON BEARING |
| 7 | 109413X | | GRIP |
| 8 | 124526X | | SUB= 125925X |
| 10 | 122512X | | SUB= 532122512 |
| 11 | 139865 | | SUB= 918139865 |
| 12 | 139866 | | SUB= 151140 |
| 13 | 4939M | | SUB= 85902 |
| 15 | 127218 | | LINK.FRONT |
| 15 | 127218 | | LINK.FRONT |
| 16 | 73350800 | | NUT |
| 17 | 130171 | | TRUNION |
| 18 | 73800800 | | NUT.LK.W/WSH.1/2. |
| 19 | 139868 | | ARM SUSP REAR |
| 20 | 3146R | | RETAINER.SPRING |
| 31 | 140302 | | BEARING PVT LH |
| 32 | 73540600 | | NUT.CROWNLOCK.3/8 |

TRACTOR -- MODEL NUMBER 2E3B3D

MOWER DECK

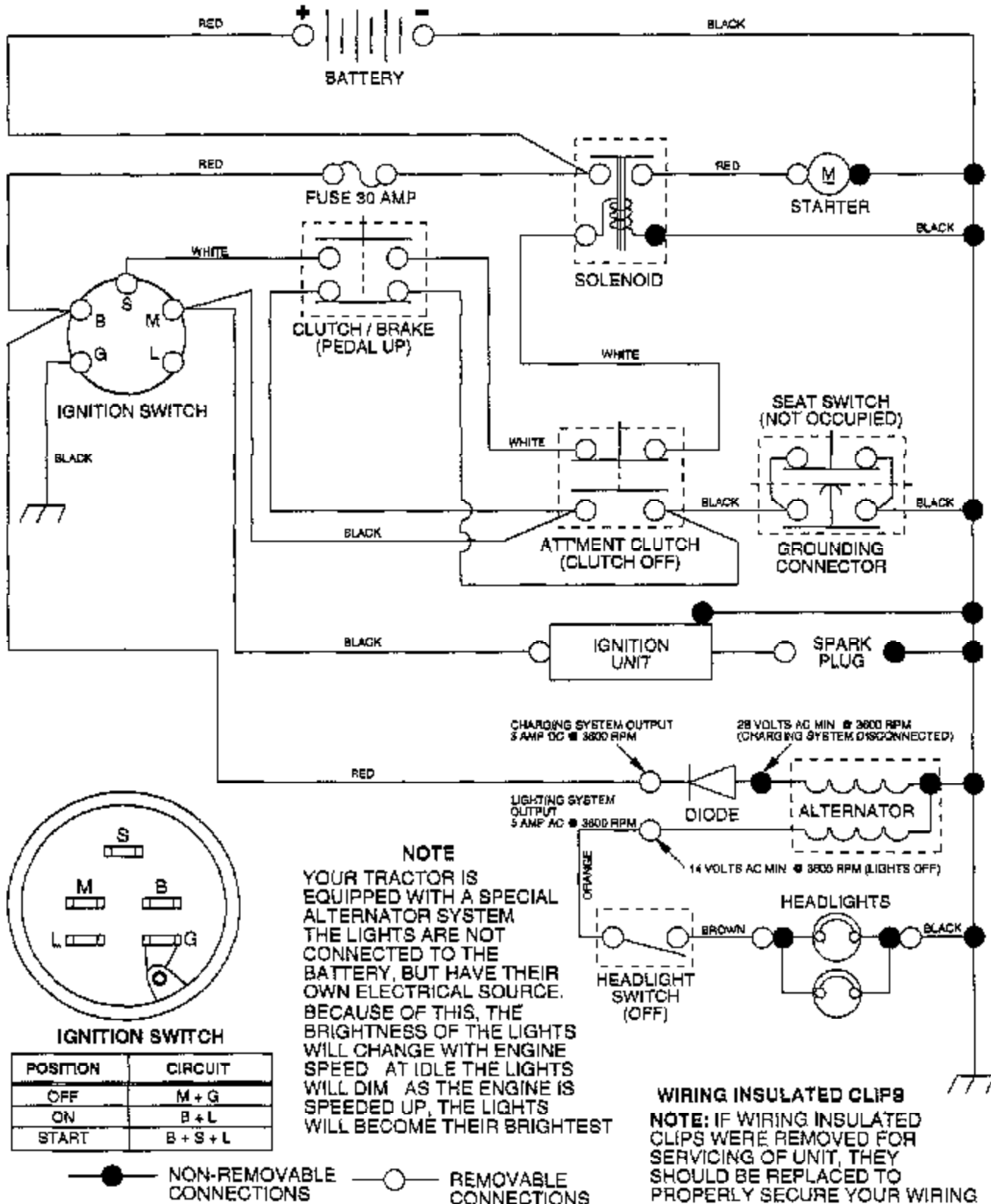


| Ref # | Part Number | Qty | Description |
|-------|-------------|-----|---------------------|
| 1 | 142829 | | SUB= 145775 |
| 2 | 72140506 | | BOLT |
| 3 | 138017 | | BRKT ASM SWAY BAR |
| 4 | 138440 | | BRKT DECK SW BAR |
| 5 | 4939M | | SUB= 85902 |
| 6 | 130832 | | SUB= 130833 |
| 8 | 850857 | | BLADE BOLT |
| 9 | 10030600 | | SUB= 10040600 |
| 10 | 140296 | | WASHER.HARD.BLADE |
| 11 | 138497 | | "BLADE.38"" HIPERF" |
| 12 | 129895 | | BEARING.BALL |
| 13 | 137645 | | SUB= 137646 |
| 14 | 128774 | | HSG ASM MANDREL |
| 15 | 110485X | | BEARING |
| 16 | 140329 | | STRIPPER RND MWR |
| 19 | 132827 | | BOLT SHD 5/16-18 |
| 21 | 73680500 | | SUB= 73690500 |
| 23 | 137607 | | BRKT DEFLECTOR |
| 24 | 105304X | | CAP-SLEEVE LT |
| 25 | 123713X | | SPRING TORSION |
| 26 | 110452X | | NUT PUSH M |
| 27 | 106736X | | DEFLECTOR-SHLD T |
| 28 | 19111016 | | WASHER |
| 29 | 106735X | | ROD-HINGE T |
| 30 | 138776 | | SUB= 157722 |
| 31 | 129963 | | WASHER |
| 32 | 153532 | | PULLEY.MANDREL.38 |
| 33 | 137266 | | SUB= 139729 |
| 36 | 131494 | | FLAT IDLER PULLEY |
| 40 | 73680600 | | SUB= 73690600 |
| 41 | 133551 | | PIVOT ROD |
| 43 | 133504 | | CLUTCH ROD SECOND |
| 45 | 4497H | | RETAINER M |
| 53 | 130840 | | BRAKE ASM |
| 54 | 133943 | | HARDENED WASHER |
| 55 | 133840 | | IDLER ARM ASSY |
| 56 | 122052X | | SPACER RETAINER |
| 67 | 106932X | | KNOB T(3/8 HOLE) |
| 68 | 144200 | | BELT.V.T-PATH |
| 69 | 76020312 | | SUB= 3145 |
| 71 | 142427 | | ROD CLUTCH 38/42 |
| 72 | 131870 | | RETURN SPRING |
| 73 | 127847 | | CLUTCH ARM SECOND |
| 74 | 121748X | | WASHER |
| 75 | 12000029 | | RING |
| 76 | 128903 | | SHOULDER BOLT |
| 77 | 127845 | | SPRING KEEPER |
| 78 | 140334 | | SUB= 154810 |
| 79 | 127498 | | BUSHING |
| 80 | 153701 | | SPRING.CLUTCH.MWR |
| 81 | 73350600 | | NUT |
| 82 | 142028 | | TRUNION ADJ |
| 86 | 7631J | | RUNNER-LH M |
| 87 | 128772 | | RUNNER RH |
| 88 | 19111216 | | WASHER M |
| 89 | 19131612 | | WASHER GT |
| 92 | 73800600 | | NUT |
| 107 | 133502 | | RETAINER SPACER |

| Ref # | Part Number | Qty | Description |
|-------|-------------|-----|-------------------|
| 108 | 133503 | | IDLER ARM STIFF |
| 109 | 74760640 | | BOLT |
| 110 | 142587 | | UPSTOP DECK FT 38 |
| 113 | 17490512 | | SCREW |
| 122 | 131289 | | BRAKE ROD LH |
| 123 | 131288 | | BRAKE ROD RH |
| 124 | 72110614 | | BOLT |
| 128 | 153390 | | WASHER.FELT. |
| | 145758 | | DECK.SERV.38.HLMC |
| | 130794 | | MANDREL ASM |

TRACTOR - - MODEL NUMBER 2E3B3D

SCHEMATIC



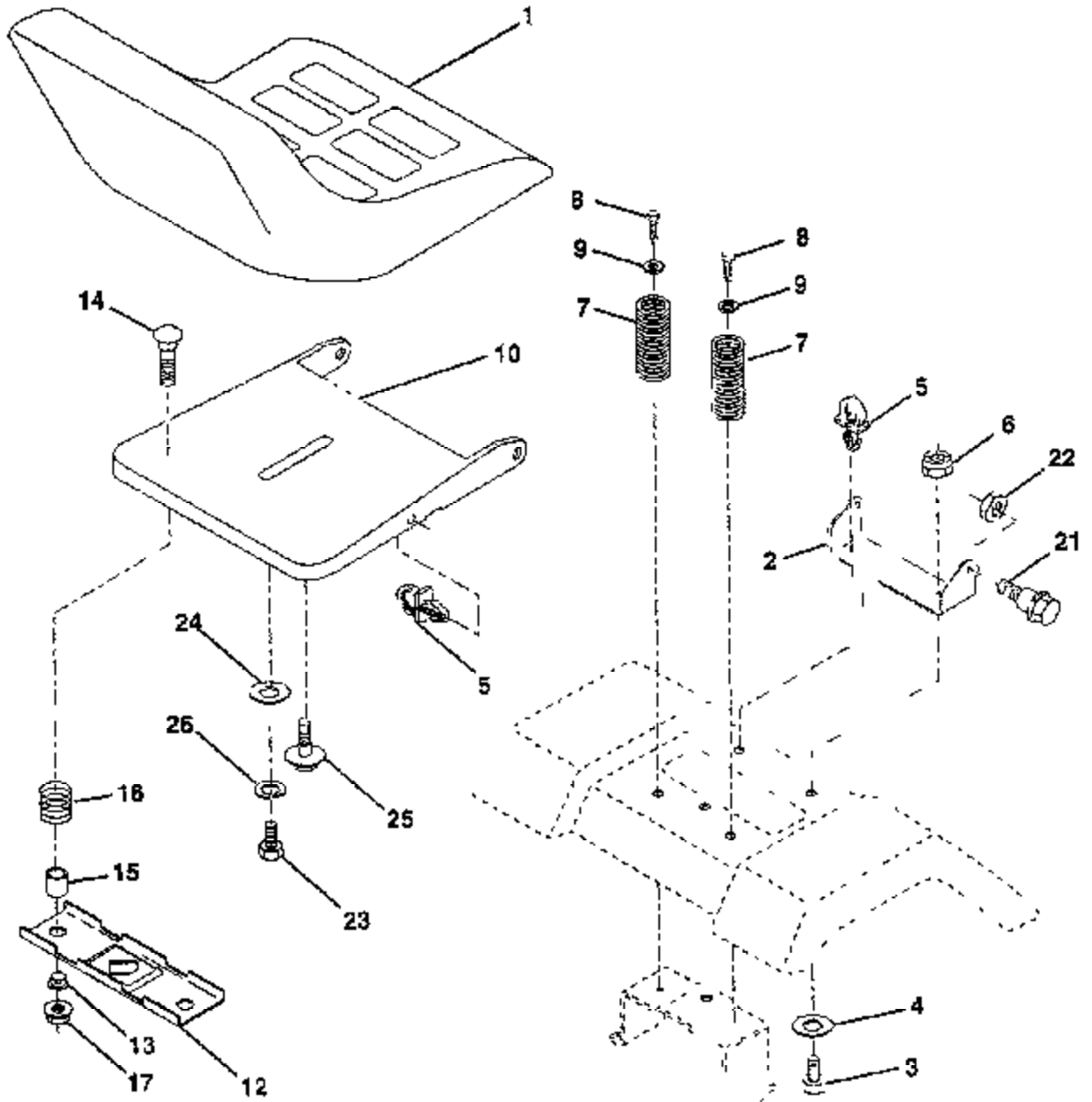
NOTE
YOUR TRACTOR IS EQUIPPED WITH A SPECIAL ALTERNATOR SYSTEM. THE LIGHTS ARE NOT CONNECTED TO THE BATTERY, BUT HAVE THEIR OWN ELECTRICAL SOURCE. BECAUSE OF THIS, THE BRIGHTNESS OF THE LIGHTS WILL CHANGE WITH ENGINE SPEED. AT IDLE THE LIGHTS WILL DIM. AS THE ENGINE IS SPEEDED UP, THE LIGHTS WILL BECOME THEIR BRIGHTEST.

WIRING INSULATED CLIPS
NOTE: IF WIRING INSULATED CLIPS WERE REMOVED FOR SERVICING OF UNIT, THEY SHOULD BE REPLACED TO PROPERLY SECURE YOUR WIRING.

| Ref # | Part Number | Qty | Description |
|-------|-------------|-----|---------------------|
| 1 | 146139 | | SUB= 123899X |
| 2 | 74760412 | | BOLT LT |
| 3 | 19091016 | | WASHER |
| 4 | 10040400 | | LOCKWASHER |
| 6 | 73220400 | | SUB= 50675 |
| 7 | 109238X | | TUBE T |
| 8 | 144940 | | SUB= 156417 |
| 9 | 109596X | | HOSE CLAMP T |
| 15 | 147688 | | FASTNER.SNAP-IN |
| 16 | 153664 | | SWITCH INTERLOCK |
| 19 | 10090400 | | SUB= 10040400 |
| 20 | 73350400 | | NUT |
| 21 | 136850 | | "HARNES, LIGHT SOC" |
| 22 | 4152J | | HEADLAMP BULB |
| 24 | 4799J | | "CABLE T, BATTERY" |
| 25 | 146147 | | CABLE.BTRY.6GA.RD |
| 26 | 108824X | | FUSE HYT |
| 28 | 4207J | | CABLE T |
| 29 | 121305X | | SWITCH SEAT |
| 30 | 144921 | | SUB= 163088 |
| 31 | 140400 | | SUB= 145774 |
| 32 | 141226 | | COVER KEY SWITCH |
| 33 | 140401 | | KEY MLD GEN DELTA |
| 34 | 110712X | | SWITCH LT |
| 36 | 17021008 | | SCREW |
| 38 | 140336 | | BRACKET SWITCH IN |
| 39 | 109553X | | SWITCH INTERLOCKT |
| 40 | 146057 | | HARNES.IGN.DASH. |
| 41 | 71110408 | | BOLT HXHD FIN |
| 42 | 131563 | | SUB= 154336 |
| 43 | 145673 | | SUB= 146154 |
| 44 | 73640400 | | NUT HXKEP 1/4X20 |
| 45 | 140844 | | ADAPTER AMMETER |
| 49 | 153249 | | WASHER PINNED |
| 70 | 140413 | | HARNES ENG DUAL |

TRACTOR - - MODEL NUMBER 2E3B3D

SEAT ASSEMBLY

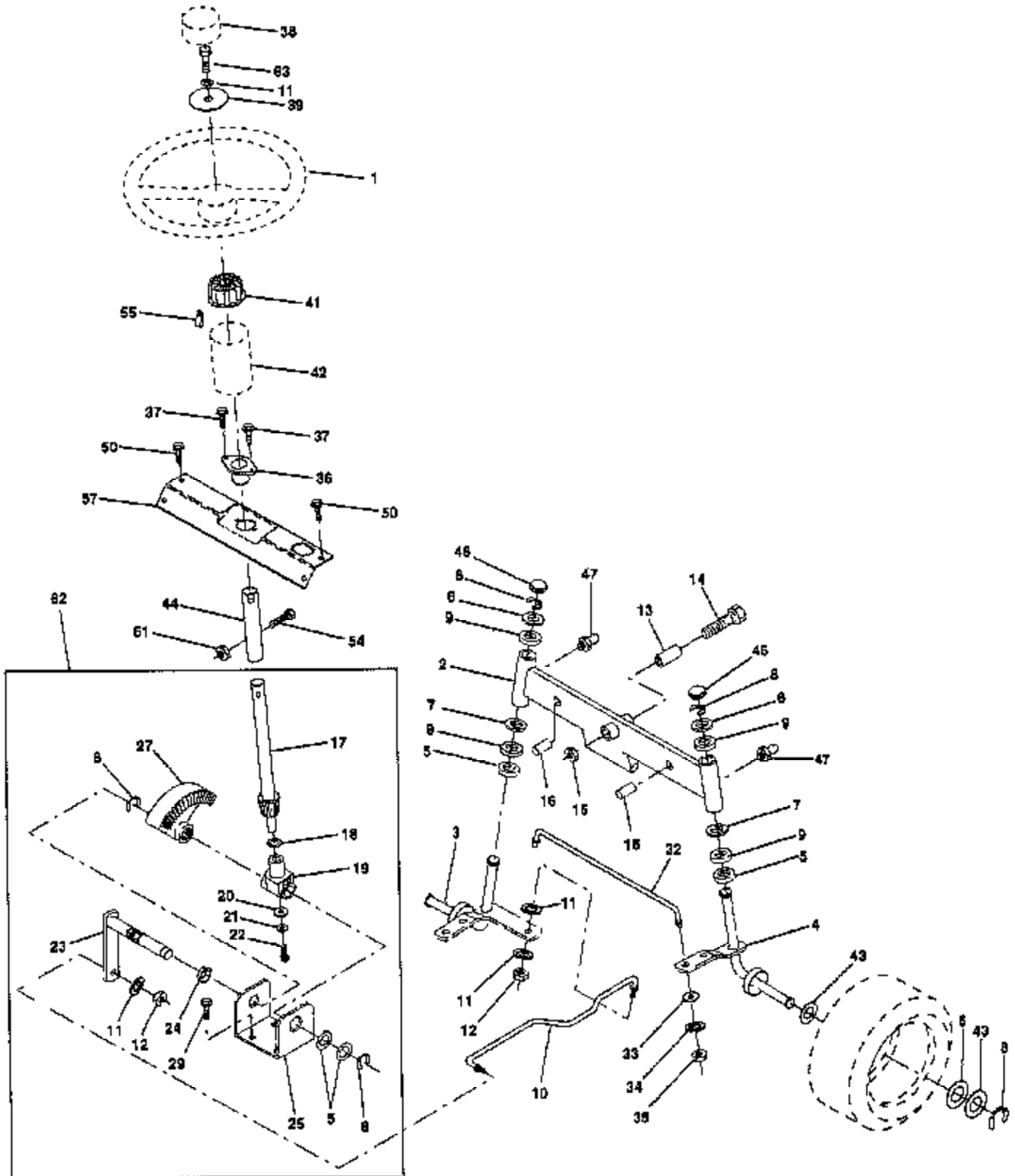


NOTE: All component dimensions given in U S inches
1 inch = 25.4 mm

| Ref # | Part Number | Qty | Description |
|-------|-------------|-----|-------------------|
| 1 | 127427 | | SUB= 140119 |
| 2 | 140551 | | BRACKET PVT SEAT |
| 3 | 74760616 | | BOLT |
| 4 | 19131610 | | WASHER PM |
| 5 | 145006 | | CLIP.PUSH-IN.HING |
| 6 | 73800600 | | NUT |
| 7 | 124181X | | SPRING COMPRESSIO |
| 8 | 17490616 | | SCREW GTV |
| 9 | 19131614 | | WASHER |
| 10 | 140552 | | SUB= 155925 |
| 12 | 121246X | | BRKT SWITCH |
| 13 | 121248X | | BUSHING |
| 14 | 7205411 | | BOLT, CARRIAGE |
| 15 | 134300 | | SPLIT SPACER |
| 16 | 121250X | | SPRING |
| 17 | 123976X | | SUB= 73900400 |
| 21 | 153236 | | "BOLT,SHOULDER" |
| 22 | 73800500 | | NUT |
| 23 | 74780814 | | BOLT |
| 24 | 19171912 | | WASHER |
| 25 | 127018X | | "BOLT,SHOULDER" |
| 26 | 10040800 | | LOCKWASHER |

TRACTOR - - MODEL NUMBER 2E3B3D

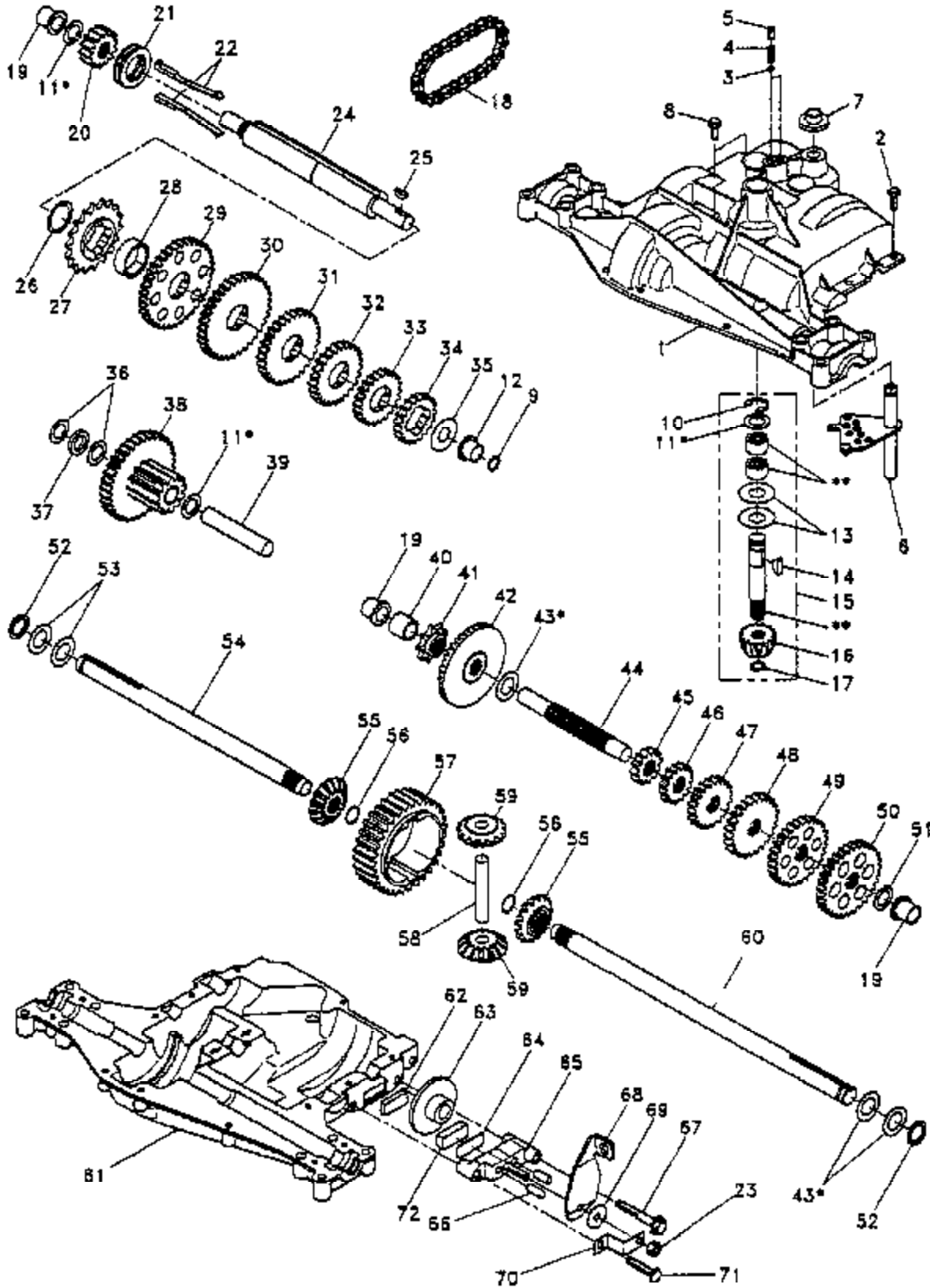
STEERING ASSEMBLY



| Ref # | Part Number | Qty | Description |
|-------|-------------|-----|---------------------|
| 1 | 133741 | | SUB= 150547 |
| 2 | 142033 | | AXLE ASM FRONT |
| 3 | 135227 | | SPINDLE LH |
| 4 | 135228 | | SPINDLE RH |
| 5 | 6266H | | WASHER .T |
| 6 | 121748X | | WASHER |
| 7 | 19272016 | | WASHER |
| 8 | 12000029 | | RING |
| 9 | 3366R | | COL. SRTG. BEAR. |
| 10 | 130468 | | SUB= 532130468 |
| 11 | 10040600 | | LOCKWASHER |
| 12 | 73610600 | | SUB= 7810H |
| 13 | 110438X | | BEARING |
| 14 | 74011056 | | BOLT HEX 5/8-11 |
| 15 | 73901000 | | "NUT-LOC,FLANGE LT" |
| 16 | 132624 | | AXLE PIN |
| 17 | 132614 | | SHAFT ASM |
| 18 | 57079 | | THRUST WASHER |
| 19 | 124035X | | SUPPORT.SHAFT |
| 20 | 126684X | | SUB= 532126684 |
| 21 | 10040400 | | LOCKWASHER |
| 22 | 71100410 | | SCREW.SCKTHD.CAP |
| 23 | 127501 | | SUB= 918127501 |
| 24 | 109816X | | NYLINER T |
| 25 | 124036X | | "BRKT,STEERING" |
| 26 | 126847X | | BUSHING.DRAGLINK |
| 27 | 136874 | | GEAR SECTOR |
| 28 | 19131416 | | WASHER |
| 29 | 17490612 | | SCREW |
| 30 | 76020412 | | COTTER PIN |
| 32 | 130465 | | TIE ROD |
| 36 | 132196 | | SUB= 155106 |
| 37 | 152927 | | "SCREW-TT,10-32 FL" |
| 38 | 133742 | | ST WHL INSERT CAP |
| 39 | 19133808 | | WASHER T |
| 40 | 7810H | | GRIPCO NUT |
| 41 | 104820X | | ADAPTER-WHEEL LT |
| 42 | 124418X | | "TUBE, STR SHAFT" |
| 43 | 121749X | | WASHER |
| 46 | 121232X | | CAP |
| 47 | 6855M | | ZERK M |
| 62 | 149684 | | SUB= 156593 |

TRACTOR - - MODEL NUMBER 2E3B3D TRANSAXLE DANA - MODEL NUMBER 4360-79

TRANSAXLE

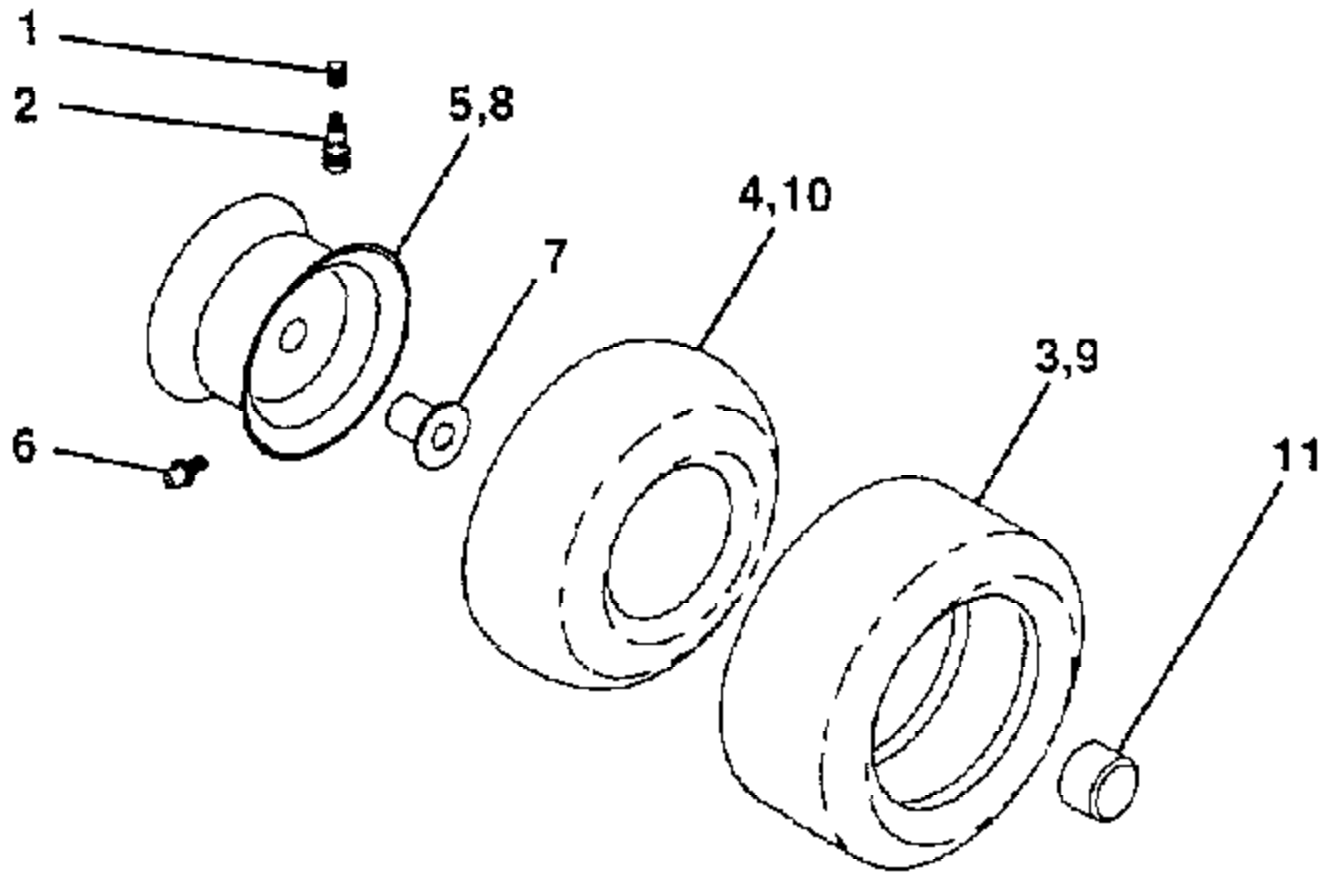


| Ref # | Part Number | Qty | Description |
|-------|-------------|-----|---------------------|
| 1 | 142671 | | HOUSING UPPER TRN |
| 2 | 2274J | | SUB= 74760412 |
| 3 | 134400 | | SUB= 68003 |
| 4 | 105904X | | "SPRING, DETENT LT" |
| 5 | 105905X | | "SCREW, SET LT" |
| 6 | 138235 | | KIT SHIFTER ASM |
| 7 | 134399 | | SHIFTER BOOT |
| 8 | 134791 | | SCREW TAP W/SEAL |
| 9 | 138241 | | SQUARE RING |
| 10 | 142672 | | SUB= 2225J |
| 11 | 134793 | | ASM KIT SHIM 4689 |
| 12 | 142673 | | BEARING FLAN-DANA |
| 13 | 120415X | | WASHER T |
| 14 | 142674 | | KEY WOODRUFF-DANA |
| 15 | 138234 | | AS KIT INPUT SHFT |
| 16 | 110078X | | PINION 14T T |
| 17 | 105909X | | "RING,RETAINING LT" |
| 18 | 105910X | | "CHAIN,24 PTCH LT" |
| 19 | 105911X | | BEARING.FLNG.5510 |
| 20 | 142675 | | GEAR SPUR 14 TTH |
| 21 | 138246 | | COLLAR CLUTCH |
| 22 | 138236 | | ASM KIT CLTCH KEY |
| 23 | 73810500 | | NUT.LOCK.5/16-24 |
| 24 | 142676 | | SHAFT INTERM DANA |
| 25 | 2244J | | WOODRUFF KEY |
| 26 | 105916X | | "RING,RETAINING LT" |
| 27 | 120470X | | SPROCKET 18T T |
| 28 | 110070X | | SPACER YT |
| 29 | 142677 | | GEAR SPUR 37 TTH |
| 30 | 142681 | | GEAR SPUR 35 TTH |
| 31 | 120405X | | SUB= 124644X |
| 32 | 108980X | | GEAR 25T LT |
| 33 | 120406X | | GEAR SPUR 22 TT |
| 34 | 134796 | | SPUR GEAR 19T |
| 35 | 105925X | | "WASHER, PLAIN LT" |
| 36 | 2232J | | WASHER 025 |
| 37 | 108978X | | SPACER |
| 38 | 110079X | | ASSM GEAR COMB |
| 39 | 124639X | | SHAFT IDLER |
| 40 | 120472X | | SPACER T |
| 41 | 105928X | | SPROCKET 9T LT |
| 42 | 110084X | | SUB= 167148 |
| 43 | 134394 | | ASM KIT SHIM |
| 44 | 120473X | | SHAFT T |
| 45 | 142678 | | GEAR SPUR 12 TTH |
| 46 | 142679 | | GEAR SPUR 15 TTH |
| 47 | 120407X | | SUB= 124641X |
| 48 | 106589X | | "GEAR, SPUR 25T LT" |
| 49 | 120408X | | GEAR 28T T |
| 50 | 105937X | | "GEAR, SPUR 31T LT" |
| 51 | 2226J | | WASHER 060 |
| 52 | 134401 | | NEOPRENE WASHER |
| 53 | 2264J | | WASHER 031 |
| 54 | 120474X | | SUB= 154658 |
| 55 | 110081X | | GEAR 15T T |
| 56 | 105941X | | "RING,RETAINING LT" |
| 57 | 110071X | | SUB= 120478X |
| 58 | 120952X | | SHAFT T |

| Ref # | Part Number | Qty | Description |
|-------|-------------|-----|---------------------|
| 59 | 110082X | | GEAR 1ST T |
| 60 | 120475X | | SUB= 154659 |
| 61 | 142680 | | HOUSING LOWER TNS |
| 62 | 120961X | | PUCK T |
| 63 | 7294J | | BRAKE DISC. T |
| 64 | 108989X | | SPACER LT |
| 65 | 120953X | | SUB= 918120953X |
| 66 | 120954X | | PIN T |
| 67 | 134799 | | TAP SCREW |
| 68 | 138244 | | SUB= 108992X |
| 69 | 108996X | | WASHER LT |
| 70 | 120956X | | NLA |
| 71 | 106596X | | "SCREW, TAPPING LT" |
| 72 | 120951X | | PUCK T |
| 73 | 120416X | | SUB= 126976X |

TRACTOR - - MODEL NUMBER 2E3B3D

WHEELS & TIRES



NOTE: All component dimensions given in U S inches
1 inch = 25.4 mm

| Ref # | Part Number | Qty | Description |
|-------|-------------|-----|---------------------------|
| 1 | 59192 | | VALVE CAP |
| 2 | 65139 | | VALVE STEM LT |
| 3 | 106222X | | SUB= 122073X |
| 4 | 59904 | | TUBE.5.3/4.5/6 |
| 5 | 106732X427 | | "RIM ASM 6"" FRT" |
| 6 | 278H | | FITTING LT |
| 7 | 9040H | | "FLANGE, BEARING" |
| 8 | 106108X427 | | "RIM AS 8"" REAR" |
| 9 | 124635X | | SUB= 126957X |
| 10 | 7152J | | TUBE.18X9.5-8 |
| 11 | 104757X | | HUB CAP |
| | 144344 | | SEALANT TIRE (10 OZ TUBE) |