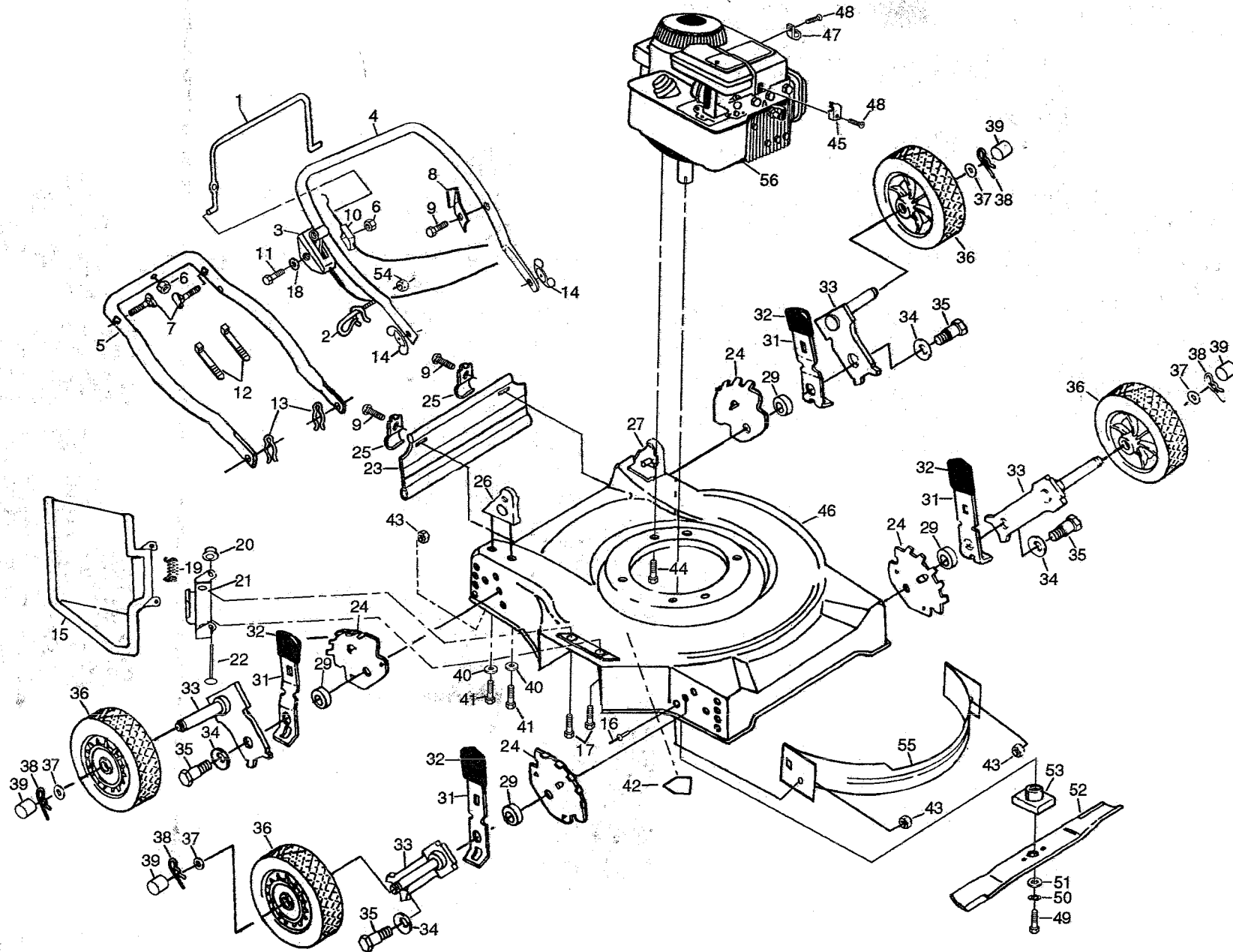


# REPAIR PARTS

## 20" ROTARY LAWN MOWER - MODEL NUMBER 1P309A

2



# REPAIR PARTS

## 20" ROTARY LAWN MOWER - MODEL NUMBER 1P309A

KEY NO.	PART NO.	DESCRIPTION	KEY NO.	PART NO.	DESCRIPTION
1	86902	Control Bar	31	700331X004	Selector Spring
2	132001	Rope Guide	32	87877	Selector Knob
3	851462	Throttle Control	33	85021X004	Axle Arm Assembly
4	132649X479	Upper Handle	34	62335	Belleville Washer
5	84676X479	Lower Handle	35	142748	Shoulder Bolt
6	63601	Locknut 1/4-20	36	800060	Wheel and Tire Assembly
7	131959	Handle Bolt 5/16-18 x 1-3/4	37	52160	Washer
8	850733X004	Up-Stop Bracket	38	85179	Retainer Clip
9	750097	Hex Washer Head Screw #10-24 x 1/2	39	800090	Hubcap
10	130861	Engine Zone Control Cable	40	59289	Washer
11	85692	Machine Screw 1/4-20 x 2-1/8	41	55187	Thread Cutting Screw 5/16-18 x 3/4
12	66426	Wire Ties	42	107339X	Danger Decal
13	51793	Hairpin Cotter	43	751592	Locknut 3/8-16
14	128638	Wing Nuts	44	850998	Hex Head Thread Rolling Screw 3/8-16 x 1
15	752052	Discharge Guard	45	213146	* Cable Clamp
16	128415	Rivet	46	701526	Lawn Mower Housing
17	851856	Self Tapping Screw 1/4-20	47	87930	Engine Clip
18	85723	Flat Washer	48	83816	Screw #10-5/8
19	851855	Torsion Spring	49	851084	Hex Head Screw 3/8-24 x 1-3/8 (Grd. 8)
20	83731	Speed Nut	50	850263	Helical Lock Washer 3/8
21	851981X004	Hinge Deflector	51	851074	Hardened Washer
22	801728	Hinge Rod	52	850972	Blade 20"
23	751228	Rear Deflector	53	850977	Blade Adapter
24	700325X007	Wheel Adjusting Bracket	54	73510400	Locknut
25	87584X004	Deflector Bracket	55	700839X479	Front Baffle
26	701969X479	Handle Bracket Assembly (Right)	56	-----	* Engine Briggs & Stratton - Model No. 98902
27	701971X479	Handle Bracket Assembly (Left)	--	140753	Operator's Manual (English)
29	84920	Spacer	--	140754	Operator's Manual (French)
			--	144024	Replacement Parts Manual

\* These parts must be purchased through an authorized Briggs & Stratton Dealer